



US00D911951S

(12) **United States Design Patent**
Yang

(10) **Patent No.:** **US D911,951 S**
(45) **Date of Patent:** **** Mar. 2, 2021**

(54) **WIRELESS CHARGING STAND FOR MOBILE PHONE**

(71) Applicant: **Qiuquan Yang**, Guangdong (CN)

(72) Inventor: **Qiuquan Yang**, Guangdong (CN)

(**) Term: **15 Years**

(21) Appl. No.: **29/701,707**

(22) Filed: **Aug. 14, 2019**

(51) **LOC (13) Cl.** **13-02**

(52) **U.S. Cl.**
USPC **D13/108; D14/253**

(58) **Field of Classification Search**

USPC D13/103, 107-110, 118, 119, 184;
D14/251, 253, 432, 434
CPC Y02E 60/12; H02J 7/025; H02J 7/0042;
H02J 7/0044; H02J 7/0045; H02J 7/0003;
H02J 7/0034; H02J 7/0054; H02J 7/1423;
H02J 7/0027; H02J 7/0013; H02J
2001/008; H02J 3/32; H02J 3/008; H01F
38/14; H01R 13/6675; H01M 2/1022;
H01M 2/1055; H01M 10/44; H01M
10/46; H01M 10/425; B60L 11/182;
B60L 11/1809; B60L 11/1861; B60R
16/03; Y02T 10/7005; Y02T 10/705;
Y02T 10/7088

See application file for complete search history.

(56) **References Cited**

U.S. PATENT DOCUMENTS

D707,672 S * 6/2014 Lai D14/253
D732,013 S * 6/2015 Aspinall D14/253
D784,923 S * 4/2017 Song D13/108
D804,413 S * 12/2017 McSweyn D13/108
D832,248 S * 10/2018 Sukphist D14/253

D839,868 S * 2/2019 Lee D14/253
D858,509 S * 9/2019 Yao D14/253
D859,393 S * 9/2019 Dang D14/253
D862,454 S * 10/2019 Chun D14/253
D872,014 S * 1/2020 Zhang D13/108
D879,090 S * 3/2020 Chung D14/253
D879,766 S * 3/2020 Fan D14/253
D889,454 S * 7/2020 Liu D14/253
D892,787 S * 8/2020 Chen D14/253

OTHER PUBLICATIONS

Amazon.com: Dkaile Wireless Charger Car Mount. Date First Available of Feb. 22, 2019. Retrieved from the internet at <https://www.amazon.com/Dkaile-Wireless-One-Hand-Clamping-Connpatible/dp/B086GK354X/>, Aug. 14, 2020. 1 page. (Year: 2019).*

* cited by examiner

Primary Examiner — Christy Nemeth

(57) **CLAIM**

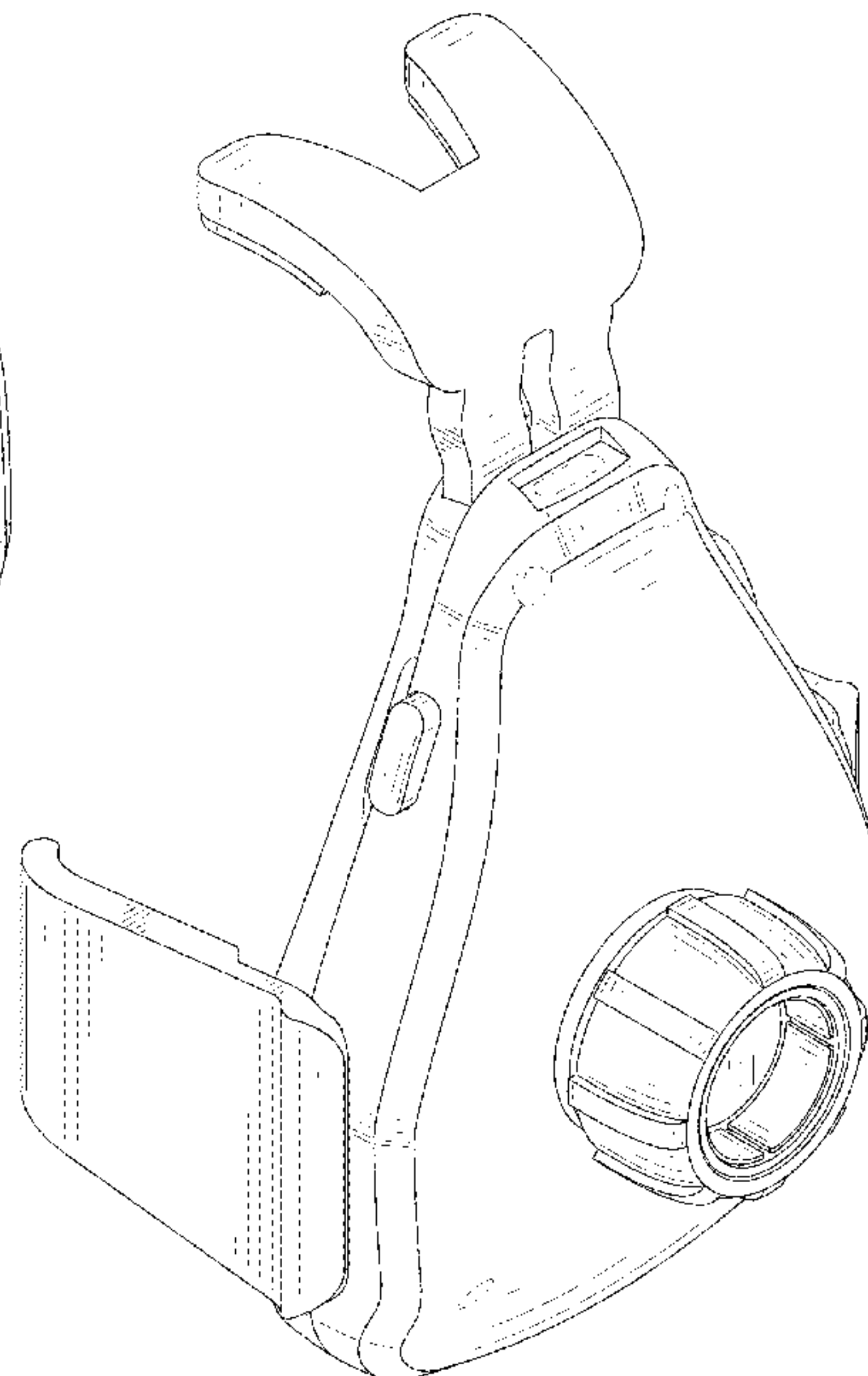
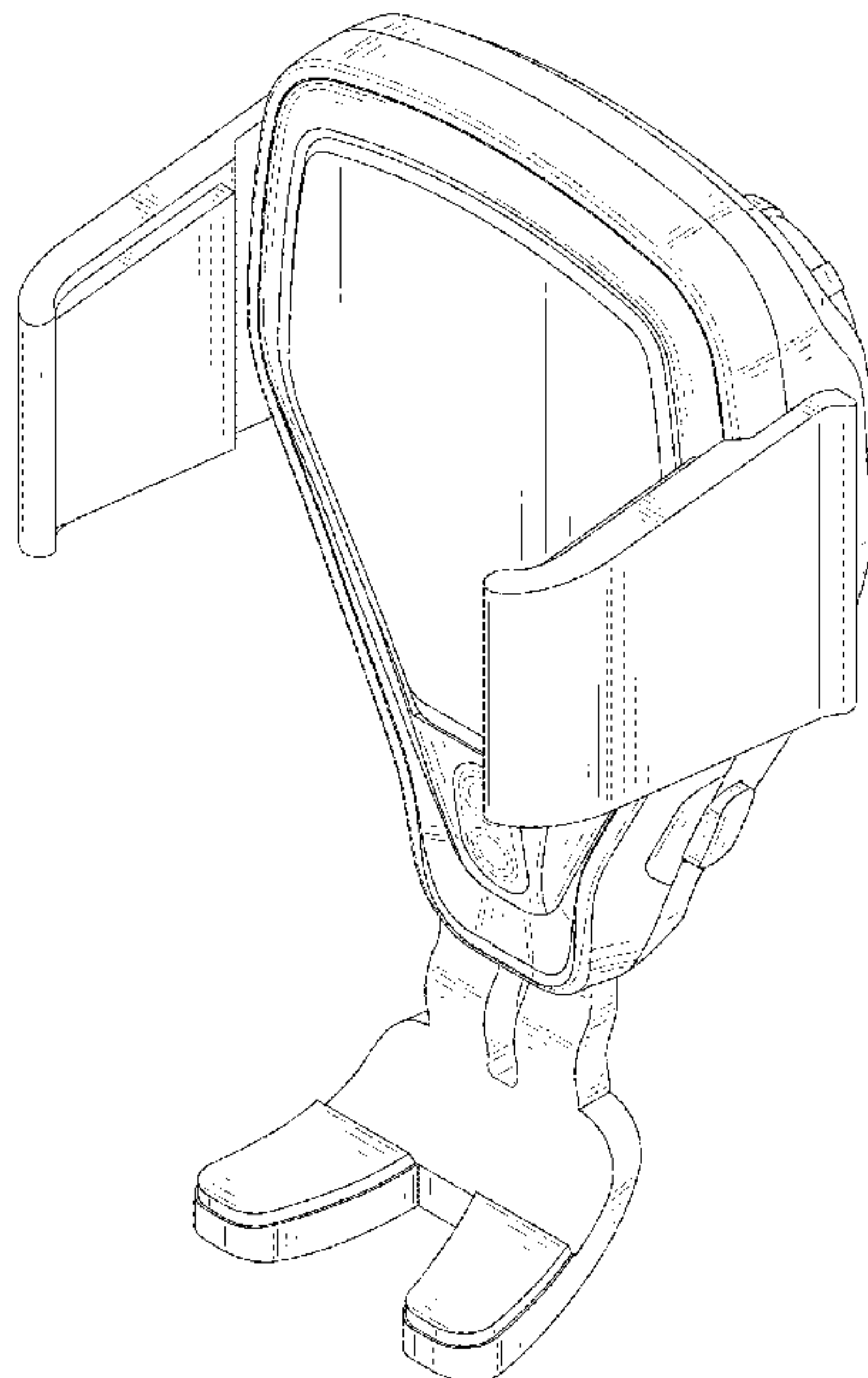
The ornamental design for a wireless charging stand for mobile phone, as shown and described.

DESCRIPTION

FIG. 1 is a front and top perspective view of a wireless charging stand for mobile phone, showing my new design; FIG. 2 is a rear and bottom perspective view thereof; FIG. 3 is a front elevational view thereof; FIG. 4 is a rear elevational view thereof; FIG. 5 is a left side elevational view thereof; FIG. 6 is a right side elevational view thereof; FIG. 7 is a top plan view thereof; and, FIG. 8 is a bottom plan view thereof.

The broken lines in the figures illustrate portions of the wireless charging stand for mobile phone that form no part of the claimed design.

1 Claim, 8 Drawing Sheets



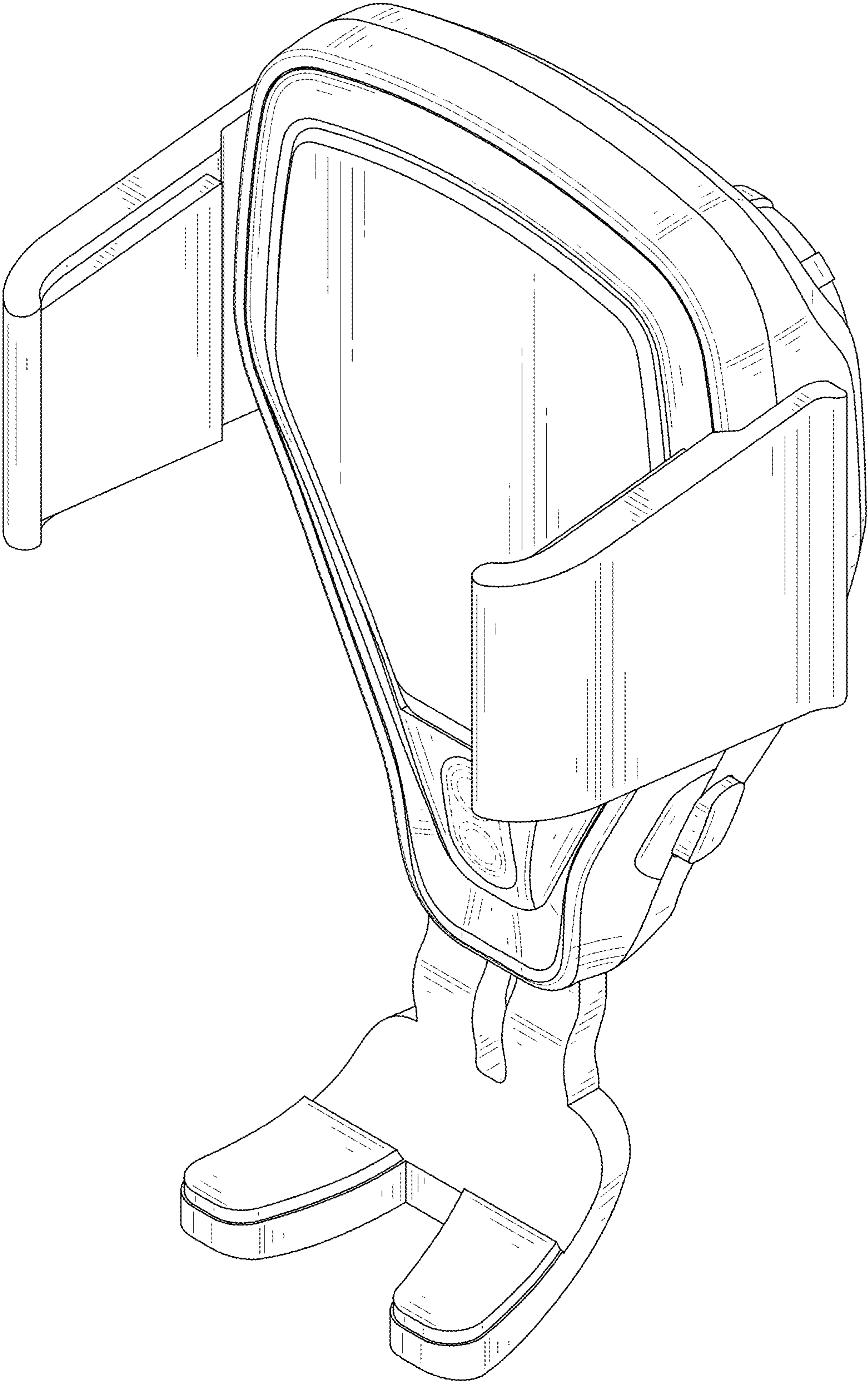


FIG. 1

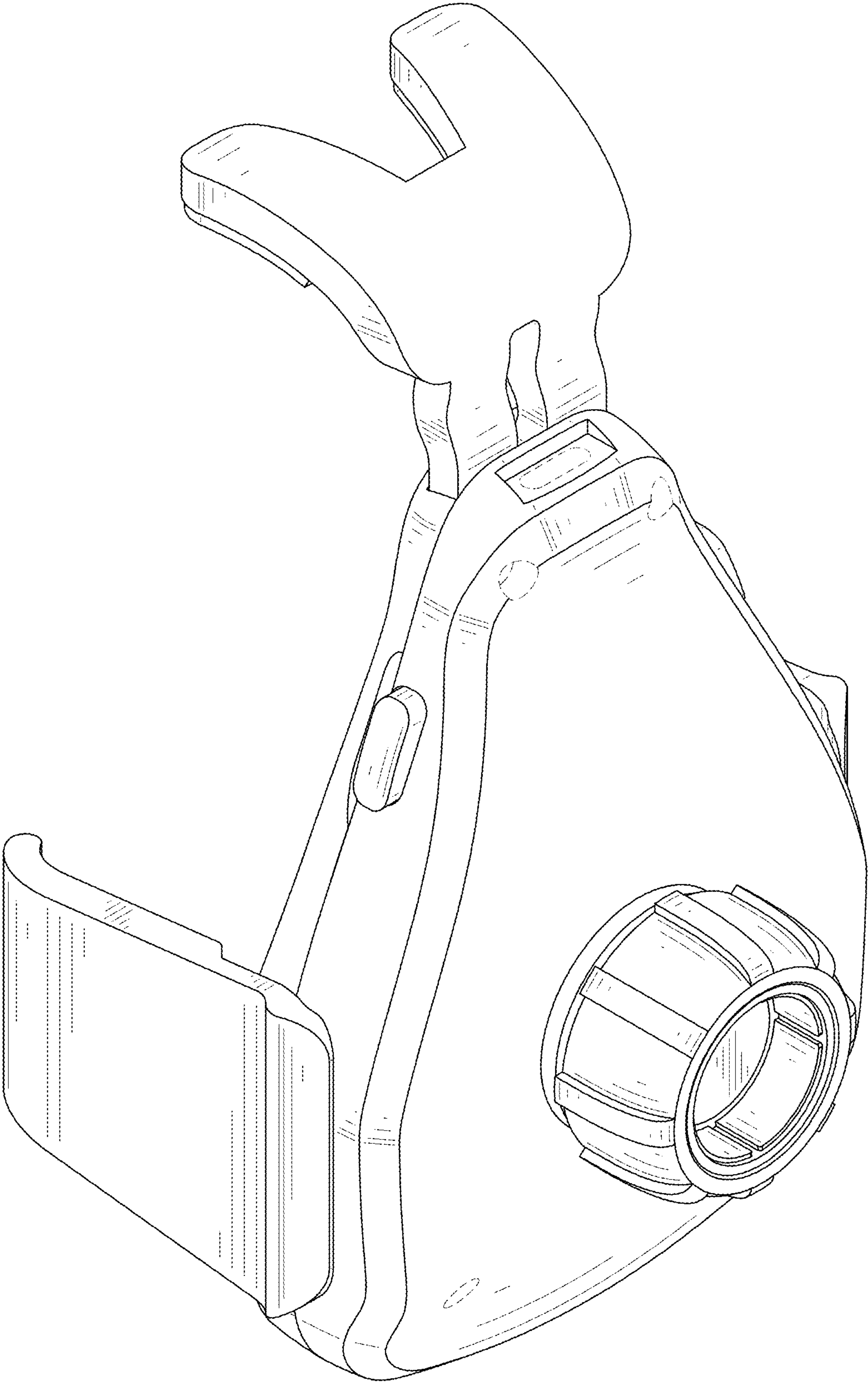


FIG. 2

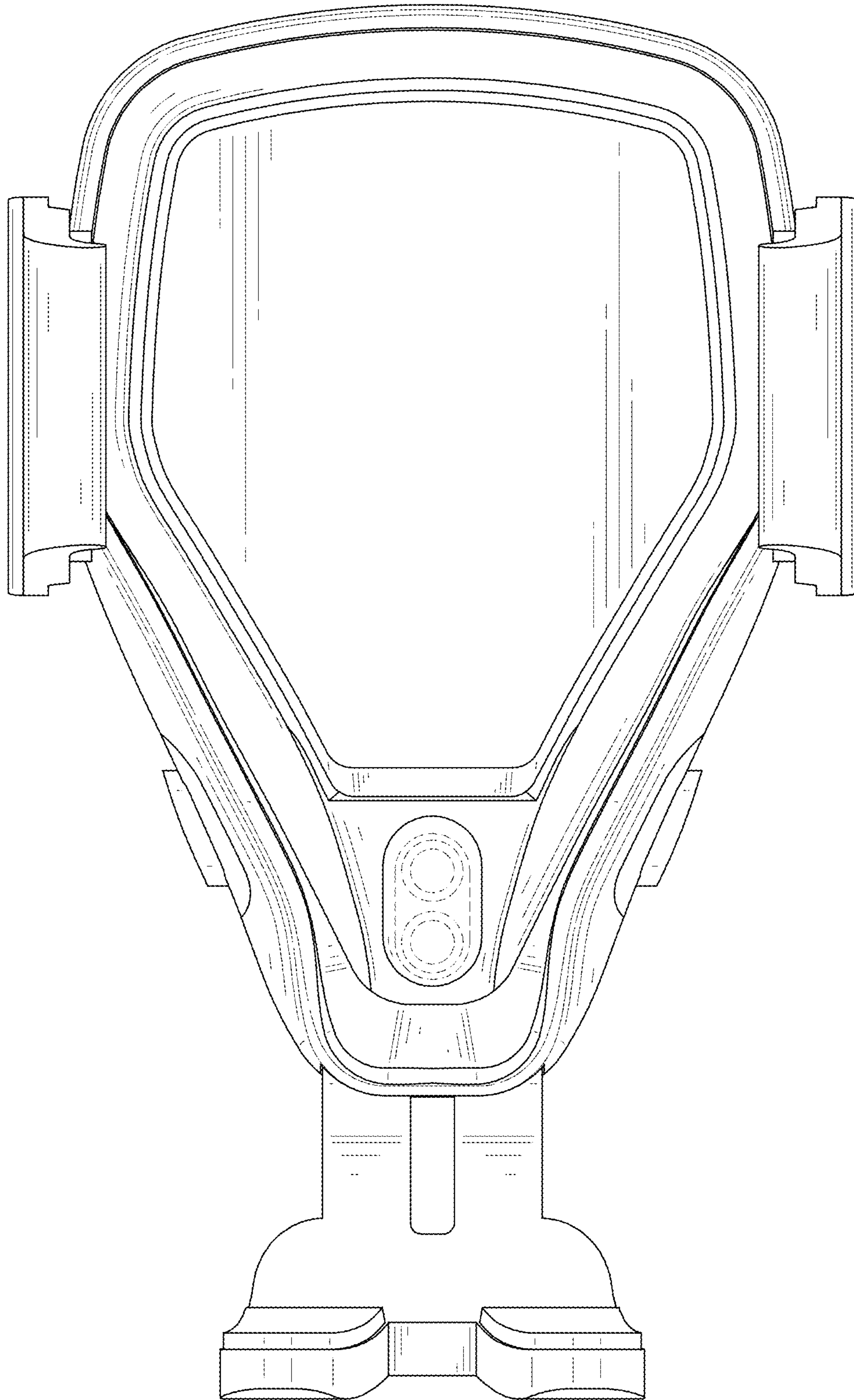


FIG. 3

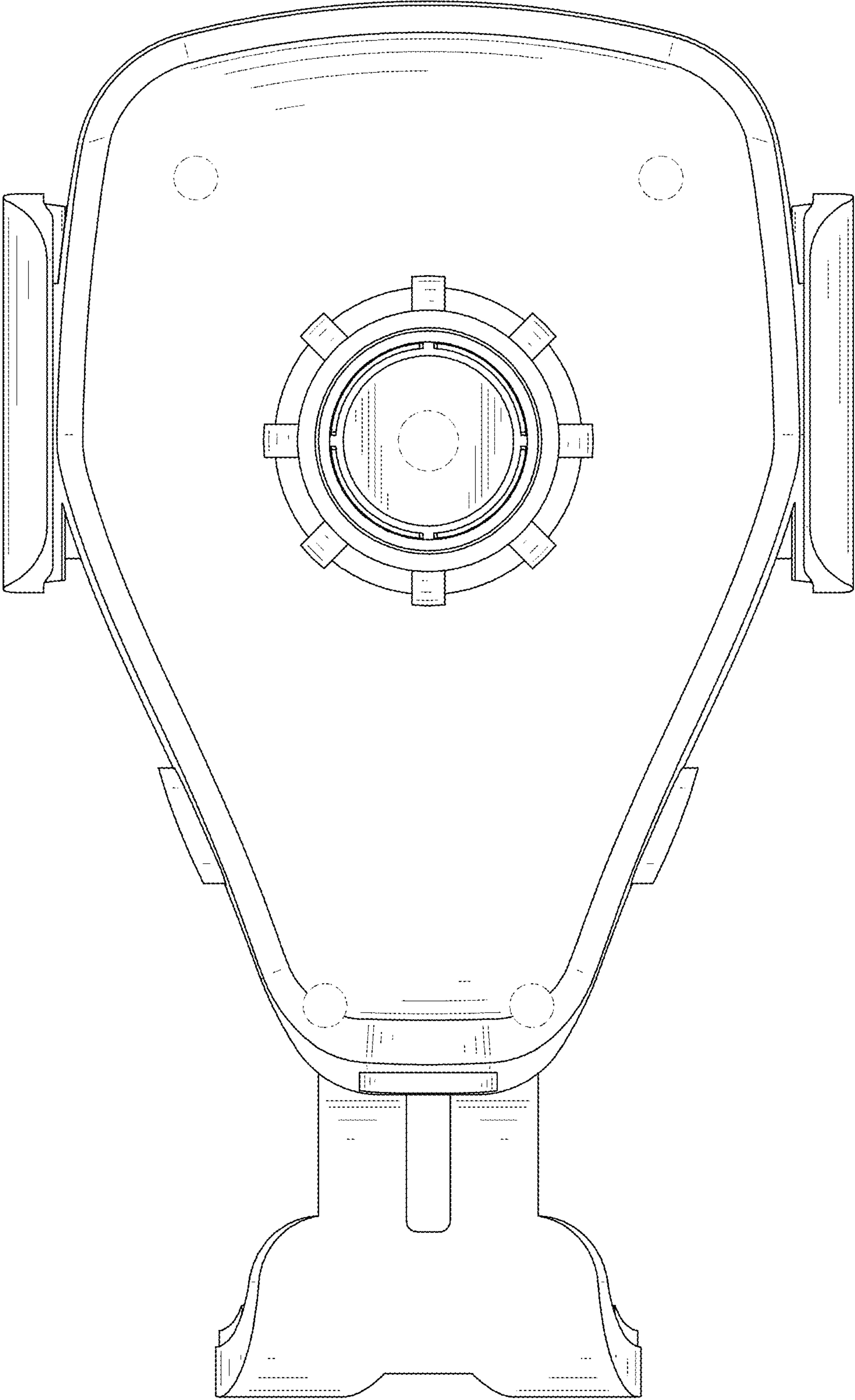


FIG. 4

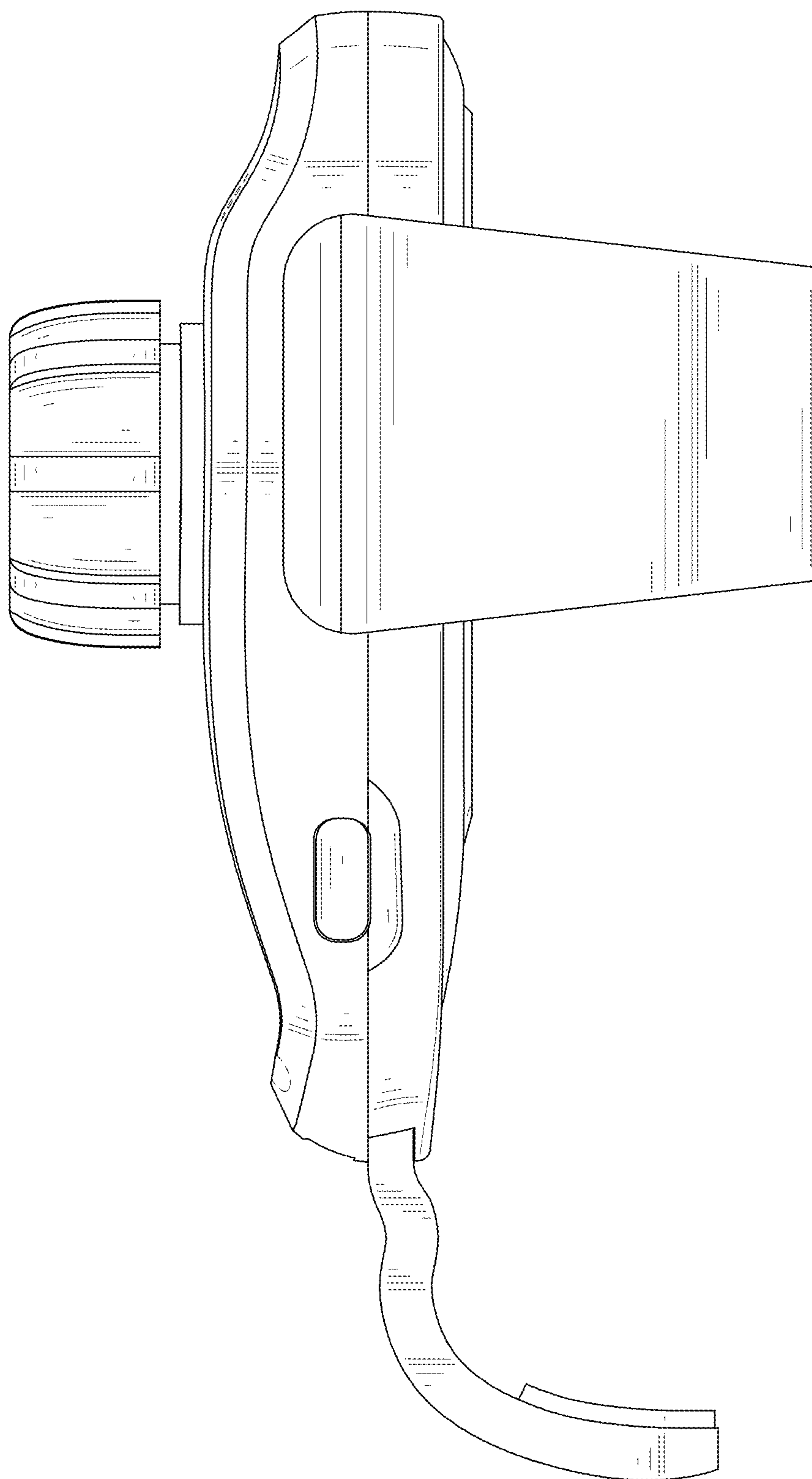


FIG. 5

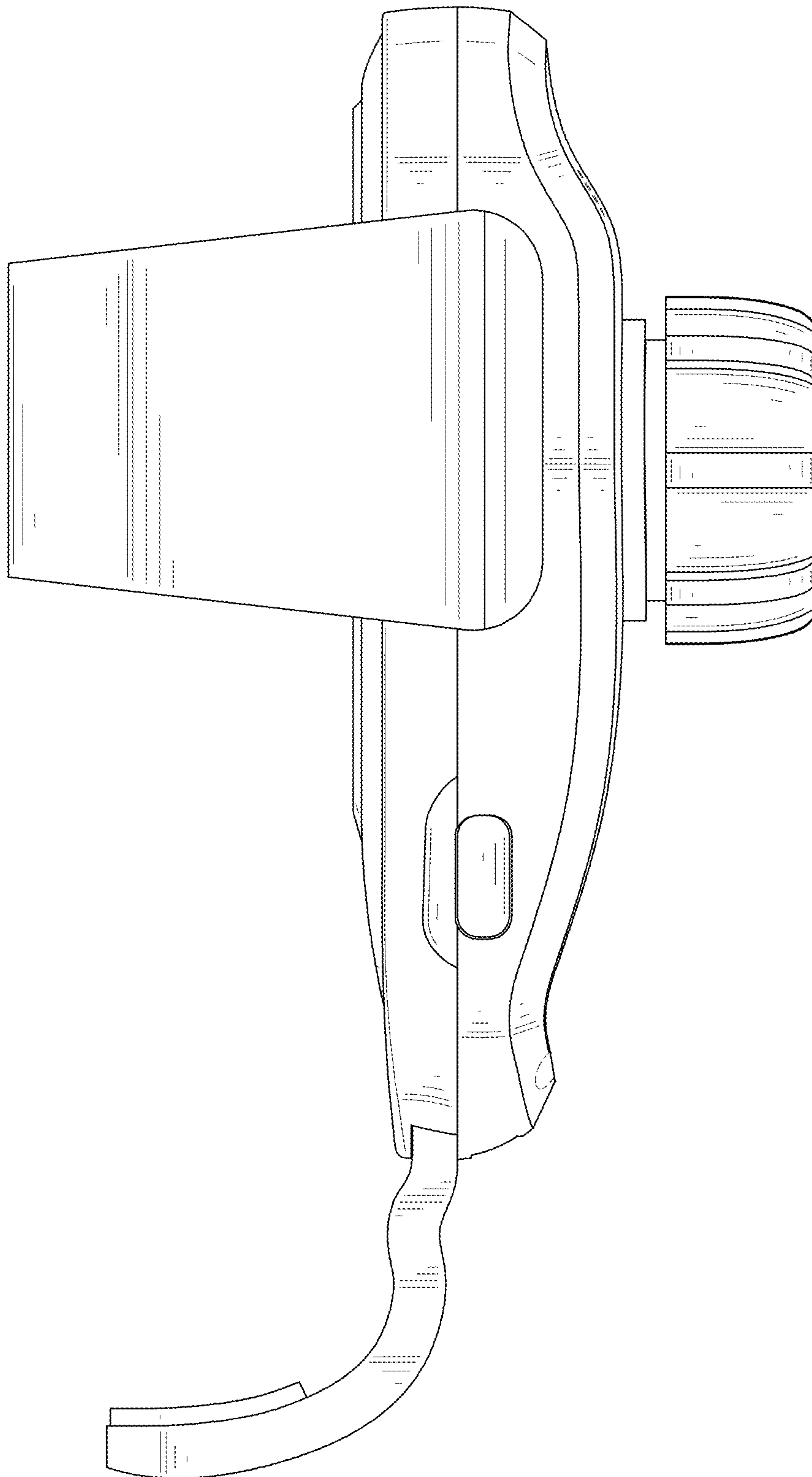


FIG. 6

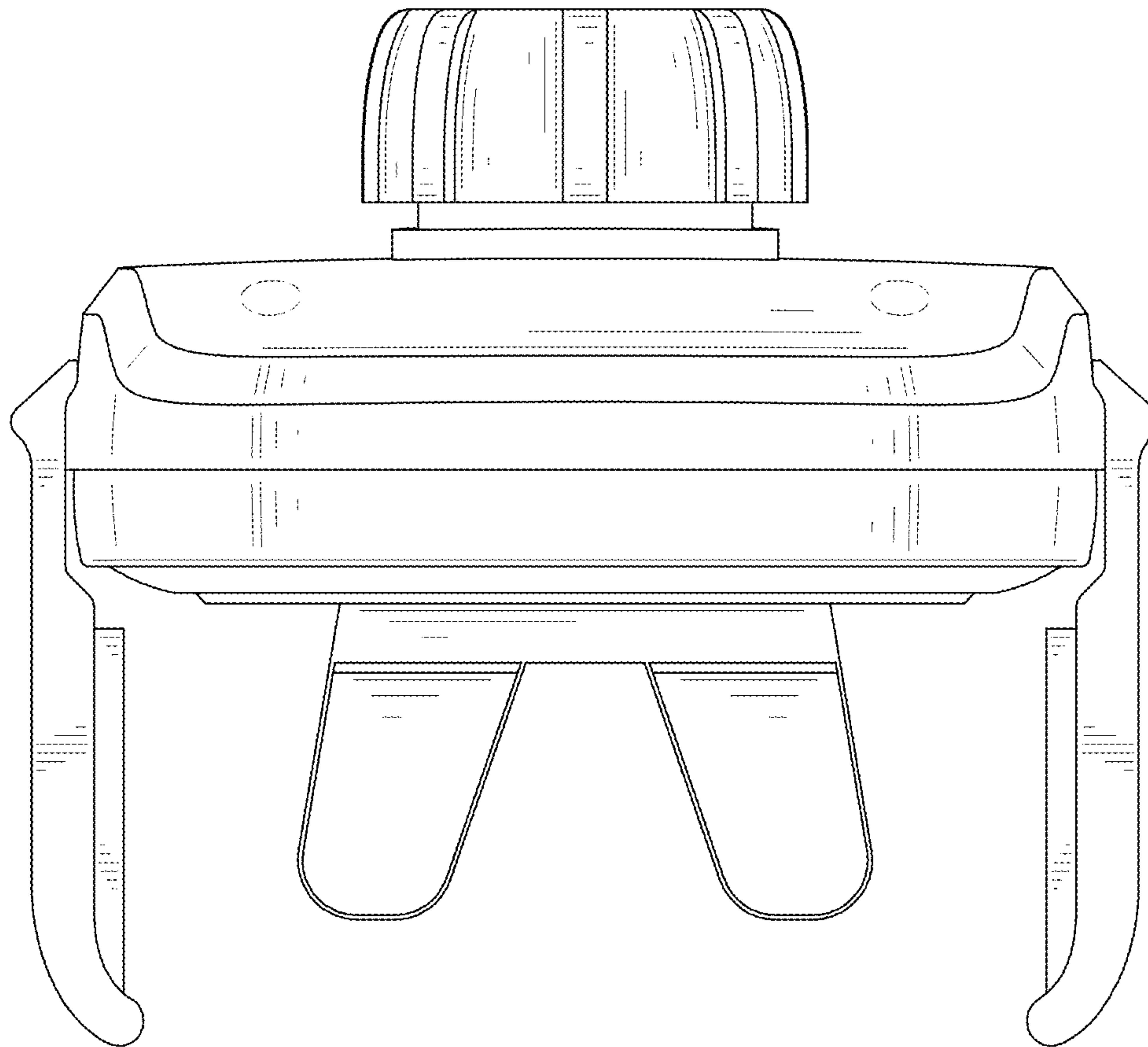


FIG. 7

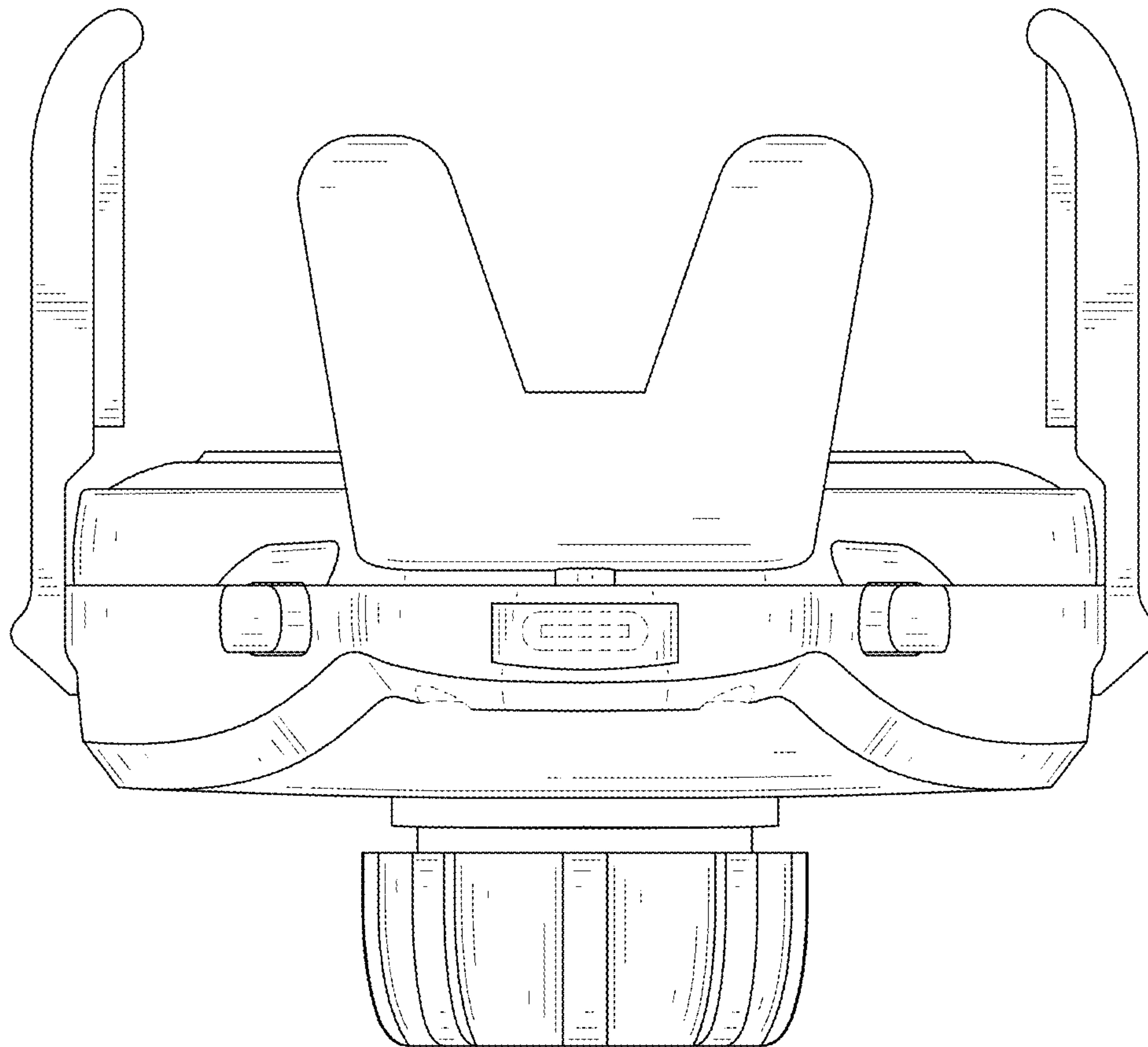


FIG. 8