



US00D911947S

(12) **United States Design Patent**  
**Qiu**

(10) **Patent No.:** **US D911,947 S**  
(45) **Date of Patent:** **\*\* Mar. 2, 2021**

(54) **MULTI-PORT CHARGER**

(71) Applicant: **Shenzhen Kai Xing Hui Technology Co., Ltd.**, Shenzhen (CN)

(72) Inventor: **Jiebin Qiu**, Shenzhen (CN)

(\*\*) Term: **15 Years**

(21) Appl. No.: **29/700,286**

(22) Filed: **Aug. 1, 2019**

(51) **LOC (13) Cl.** ..... **13-02**

(52) **U.S. Cl.**  
USPC ..... **D13/108**

(58) **Field of Classification Search**

USPC ..... D13/103, 107-110, 118, 119, 184;  
D14/251, 253, 432, 434  
CPC ..... Y02E 60/12; H02J 7/025; H02J 7/0042;  
H02J 7/0044; H02J 7/0045; H02J 7/0003;  
H02J 7/0034; H02J 7/0054; H02J 7/1423;  
H02J 7/0027; H02J 7/0013; H02J  
2001/008; H02J 3/32; H02J 3/008; H01F  
38/14; H01R 13/6675; H01M 2/1022;  
H01M 2/1055; H01M 10/44; H01M  
10/46; H01M 10/425; B60L 11/182;  
B60L 11/1809; B60L 11/1861; B60R  
16/03; Y02T 10/7005; Y02T 10/705;  
Y02T 10/7088

See application file for complete search history.

(56) **References Cited**

**U.S. PATENT DOCUMENTS**

D705,722 S \* 5/2014 Gengler ..... D13/107  
D722,958 S \* 2/2015 Kotaniemi ..... D13/108

D778,829 S \* 2/2017 Marmus ..... D13/108  
D818,432 S \* 5/2018 Zhu ..... D13/108  
D823,796 S \* 7/2018 Zhang ..... D13/108  
D845,234 S \* 4/2019 Gao ..... D13/108  
D850,369 S \* 6/2019 Wang ..... D13/108  
D860,132 S \* 9/2019 Fu ..... D13/108  
D866,460 S \* 11/2019 Komoni ..... D13/108  
D870,657 S \* 12/2019 Liang ..... D13/108  
D887,350 S \* 6/2020 Yamamoto ..... D13/108  
D892,730 S \* 8/2020 Chen ..... D13/108

\* cited by examiner

*Primary Examiner* — Christy Nemeth  
(74) *Attorney, Agent, or Firm* — HYIP

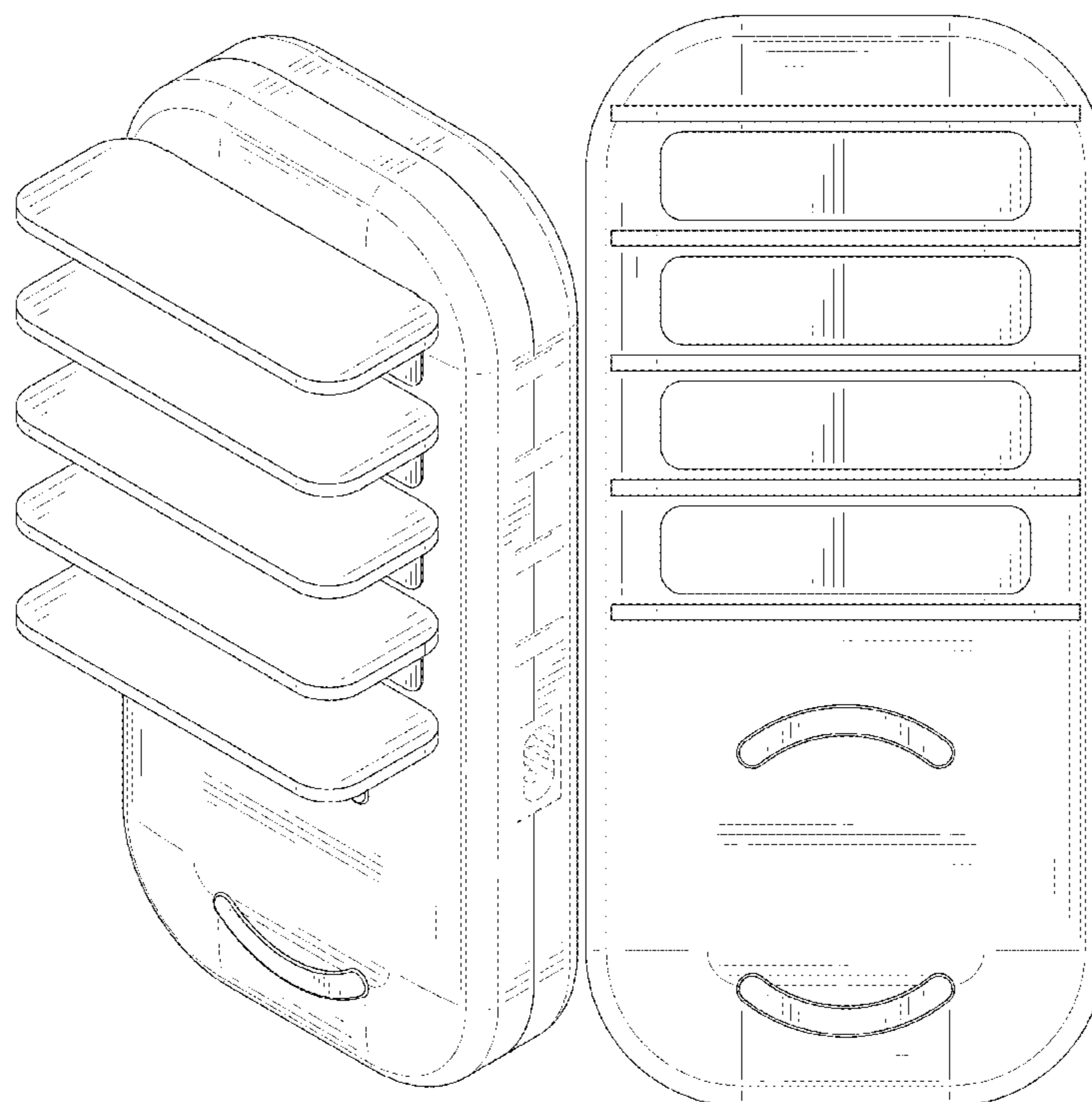
(57) **CLAIM**

The ornamental design for a multi-port charger, as shown and described.

**DESCRIPTION**

FIG. 1 is a first perspective view of a multi-port charger showing my design;  
FIG. 2 is a second perspective view thereof;  
FIG. 3 is a front view thereof;  
FIG. 4 is a back view thereof;  
FIG. 5 is a left side view thereof;  
FIG. 6 is a right side view thereof;  
FIG. 7 is atop view thereof; and,  
FIG. 8 is a bottom view thereof;  
The broken lines shown in the drawings depict portions of the multi-port charger in which the design is embodied that form no part of the claimed design.

**1 Claim, 8 Drawing Sheets**



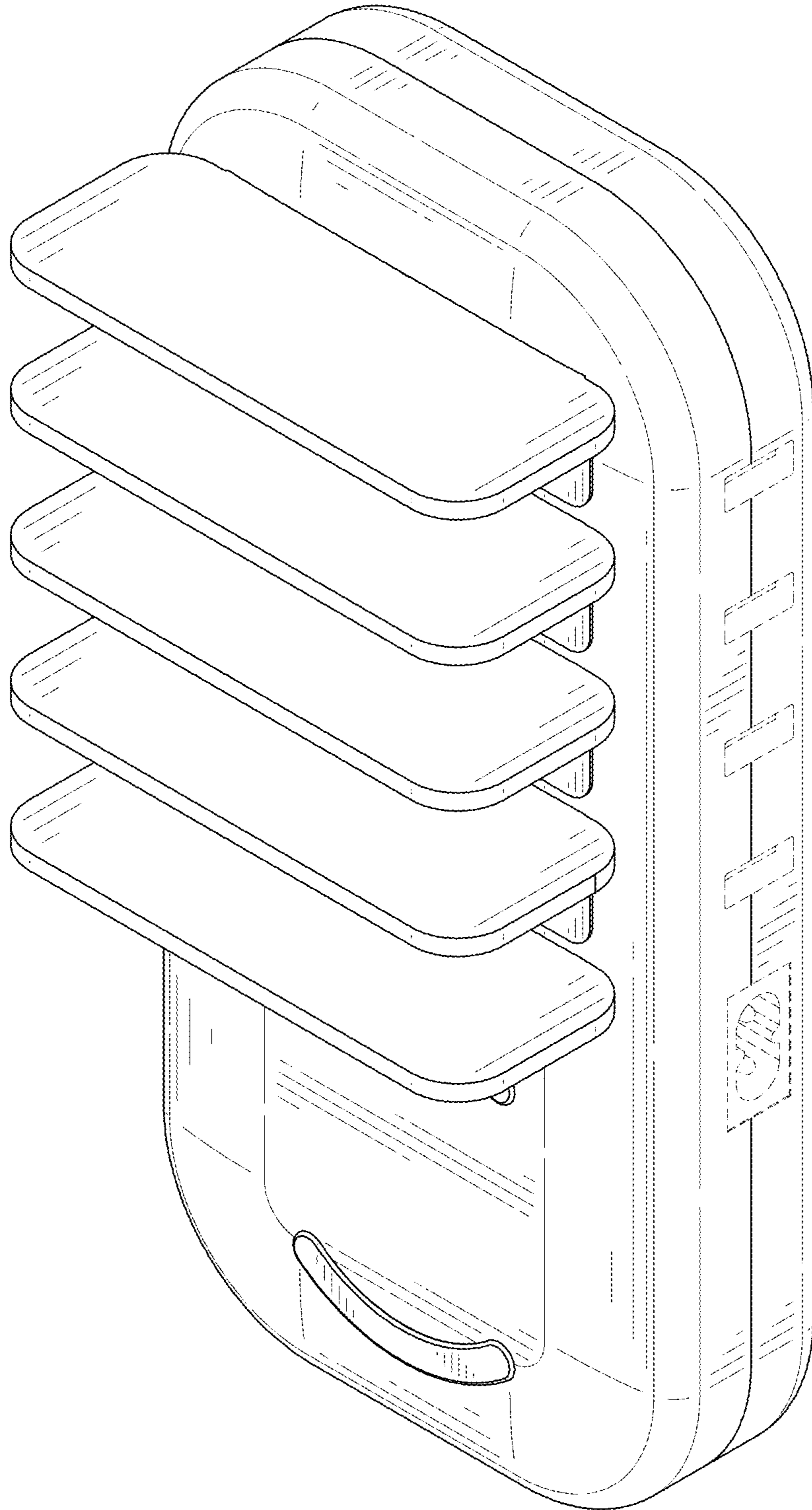


FIG. 1

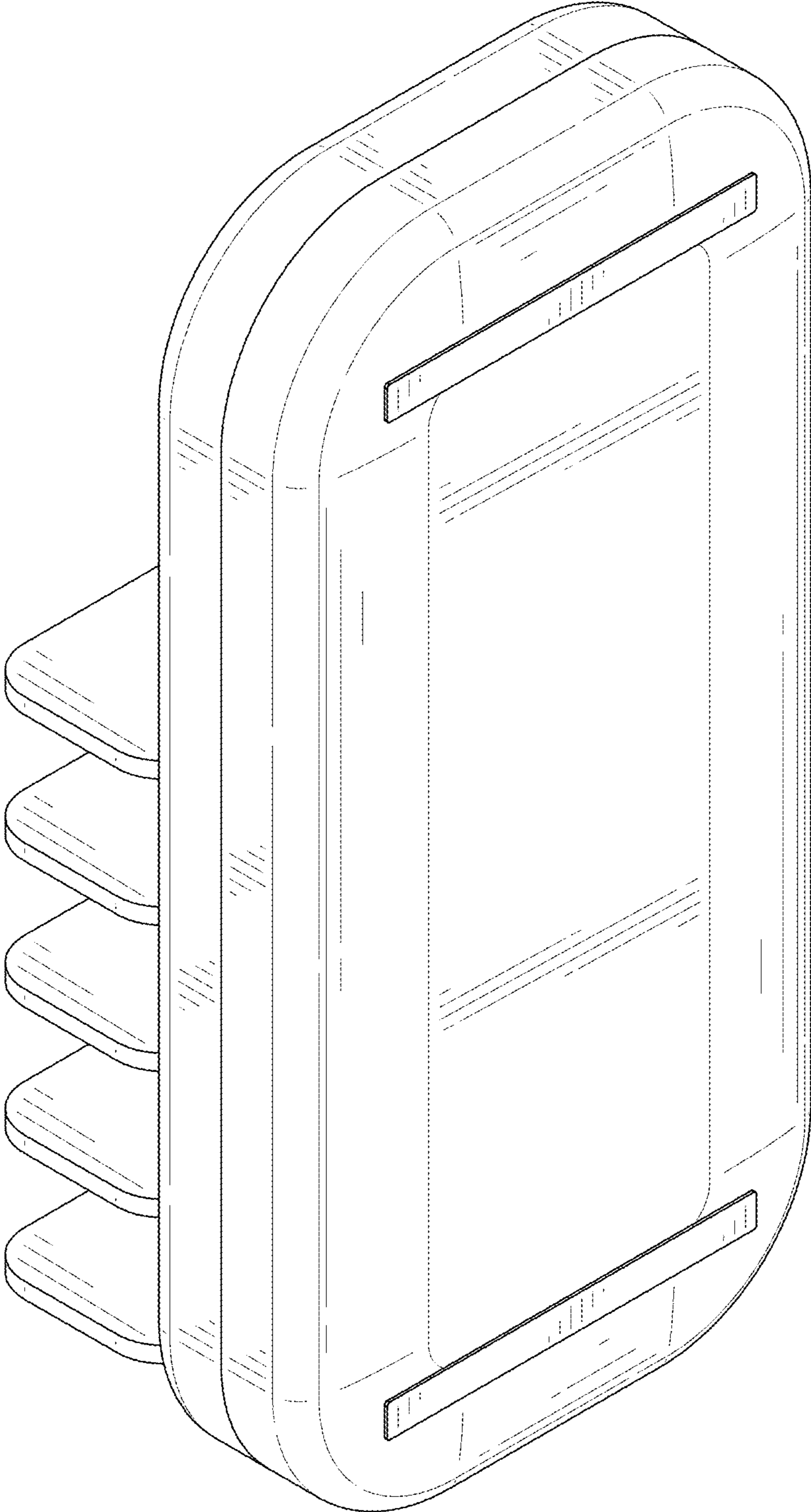


FIG. 2

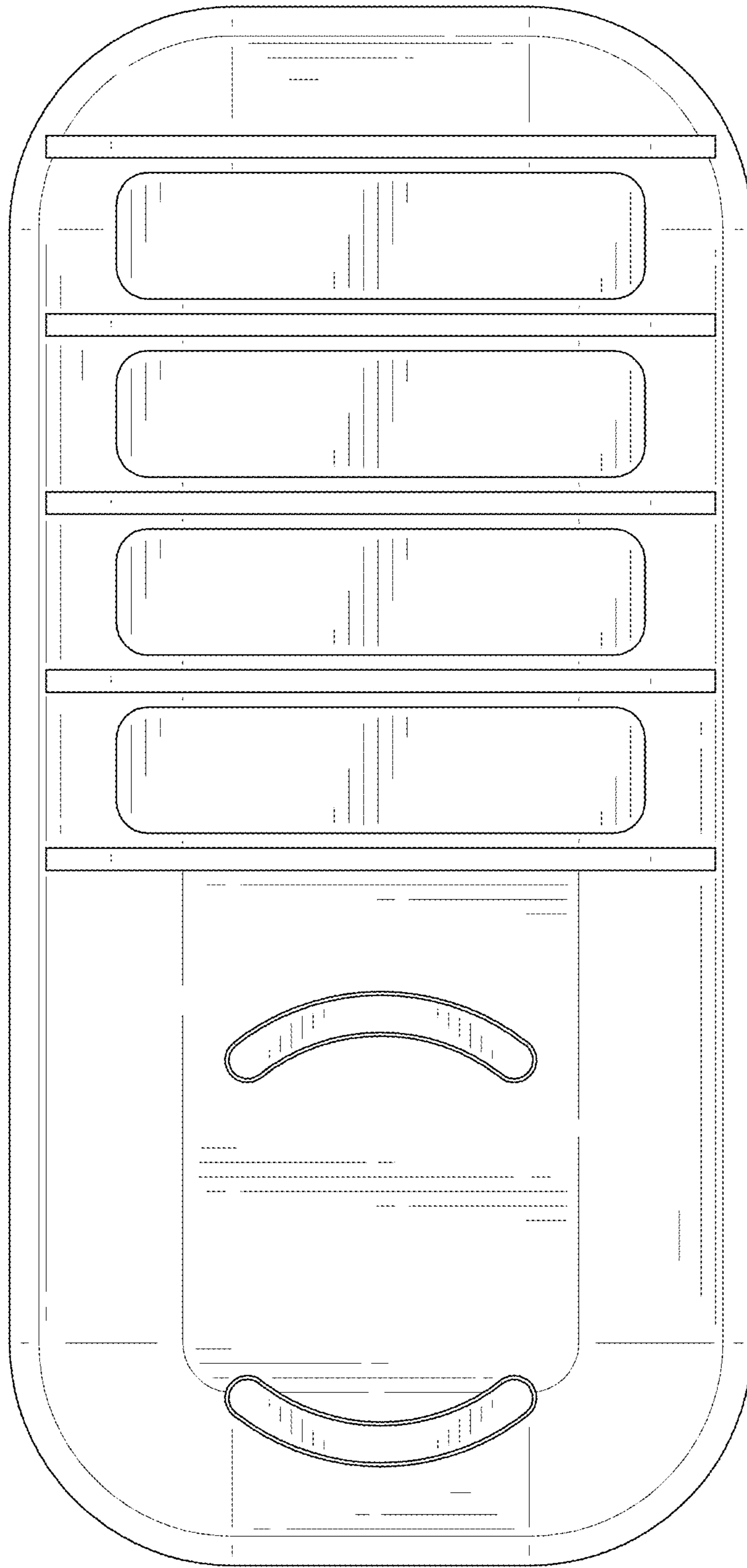


FIG. 3

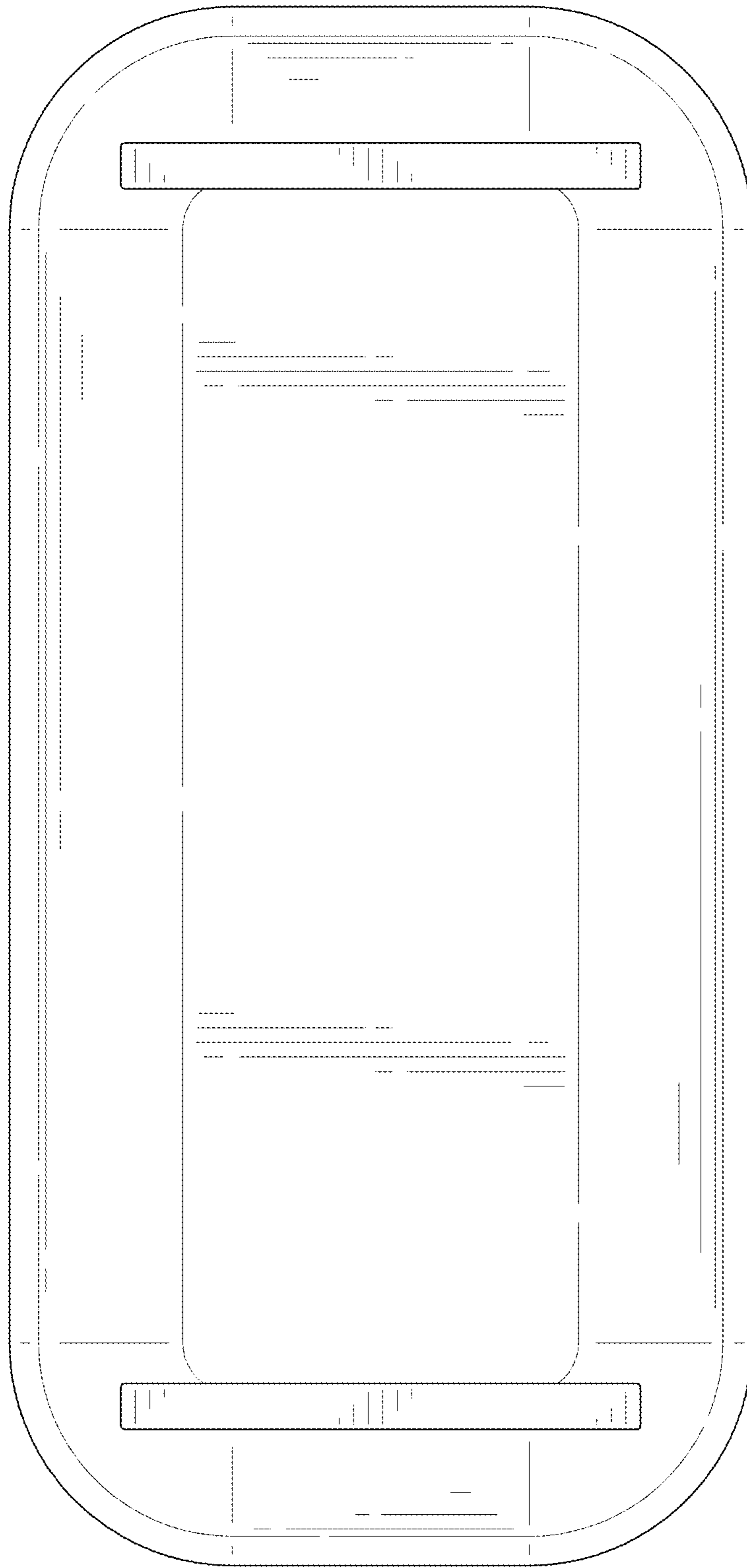


FIG. 4

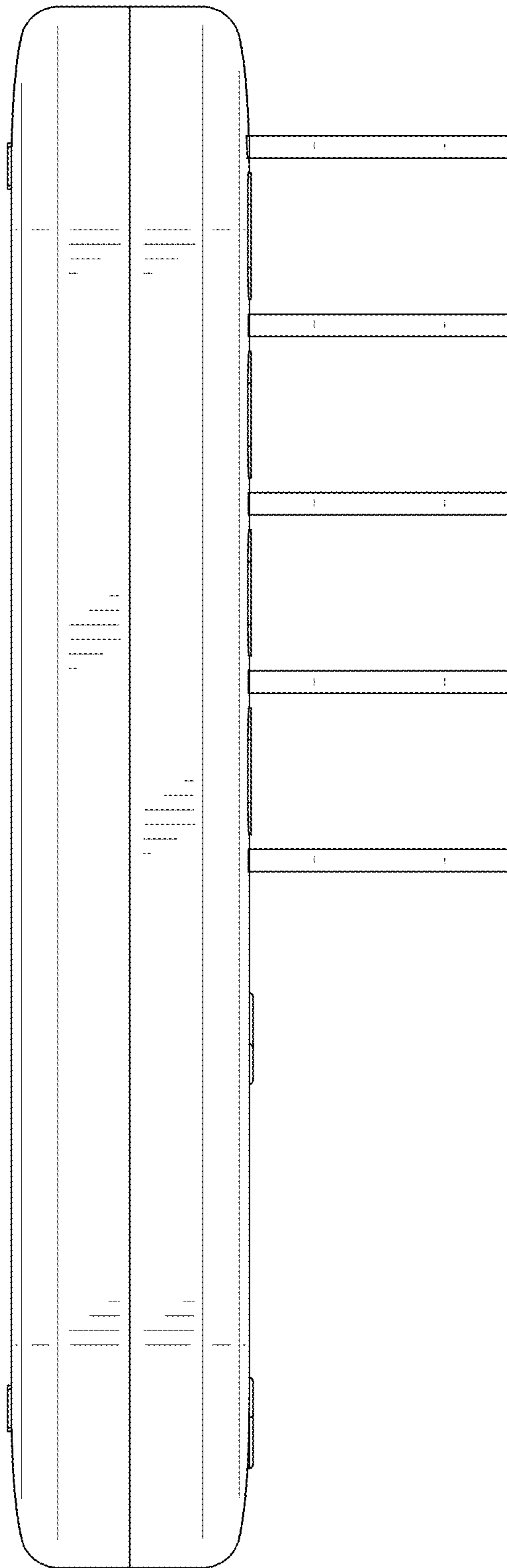


FIG. 5

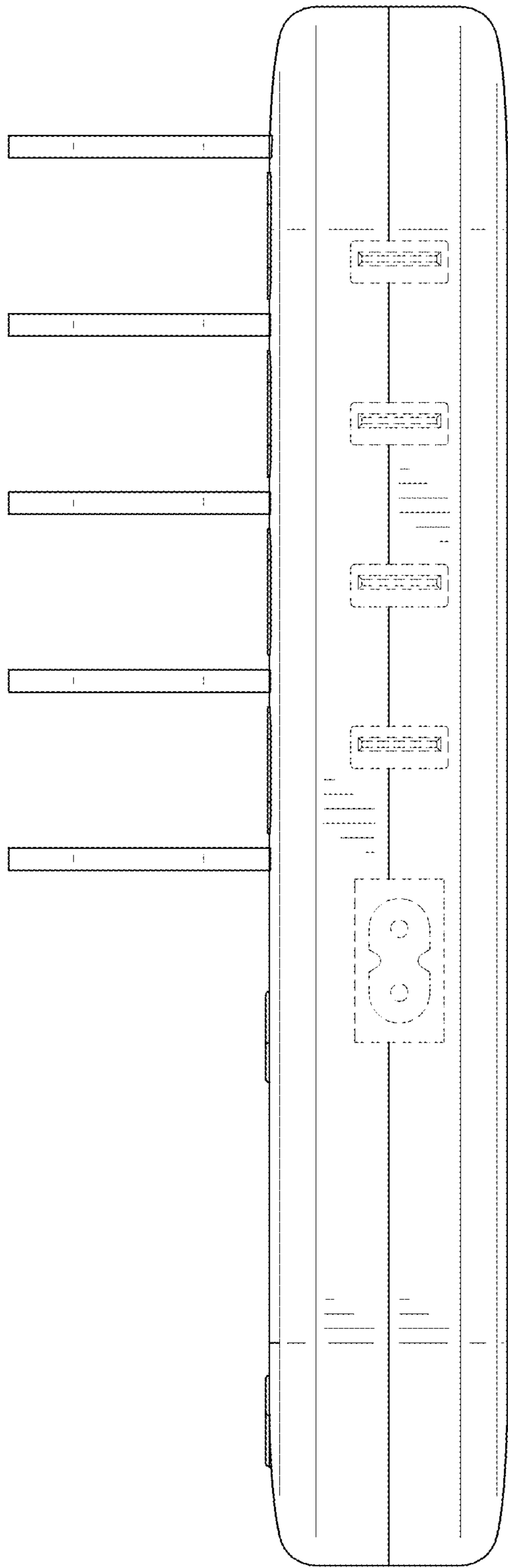


FIG. 6

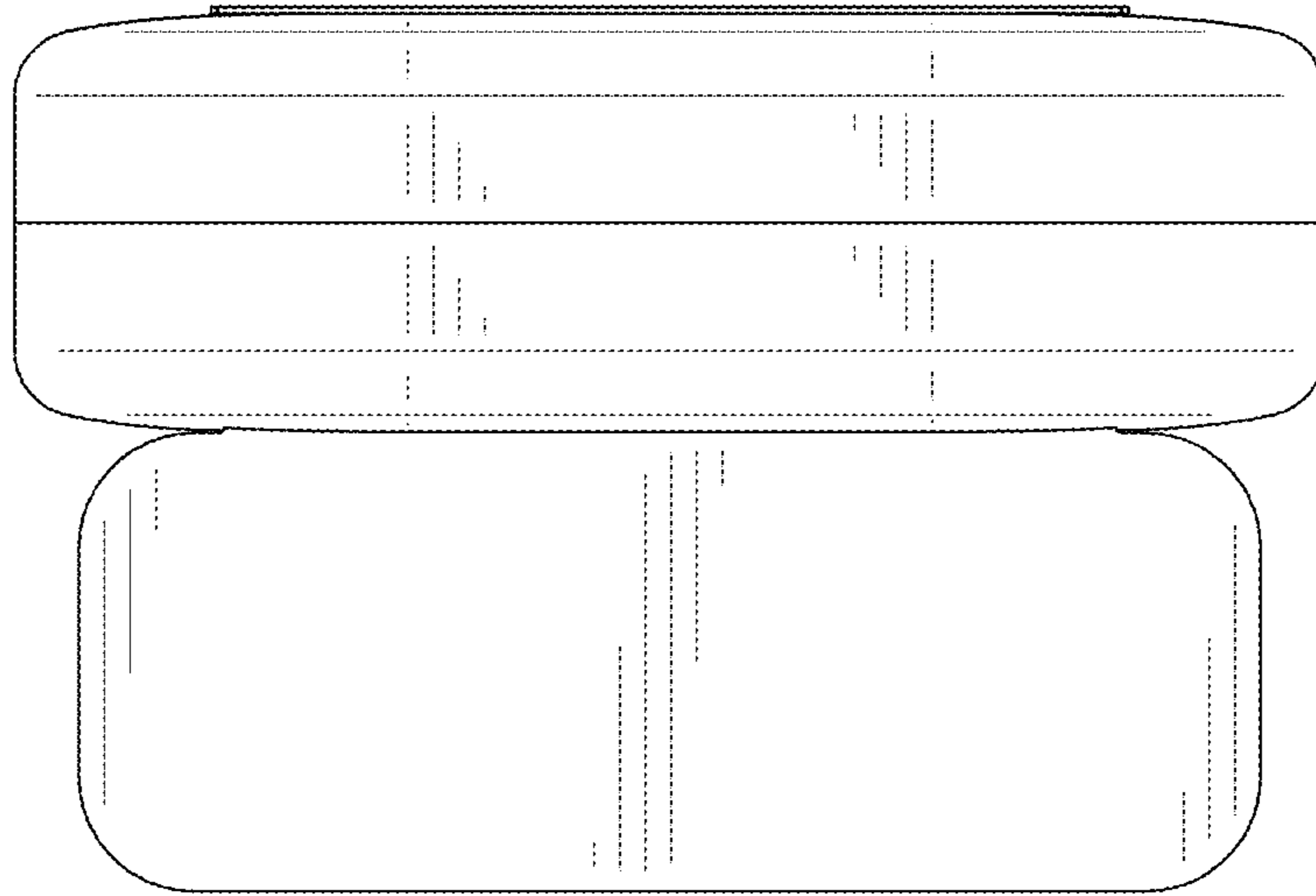


FIG. 7



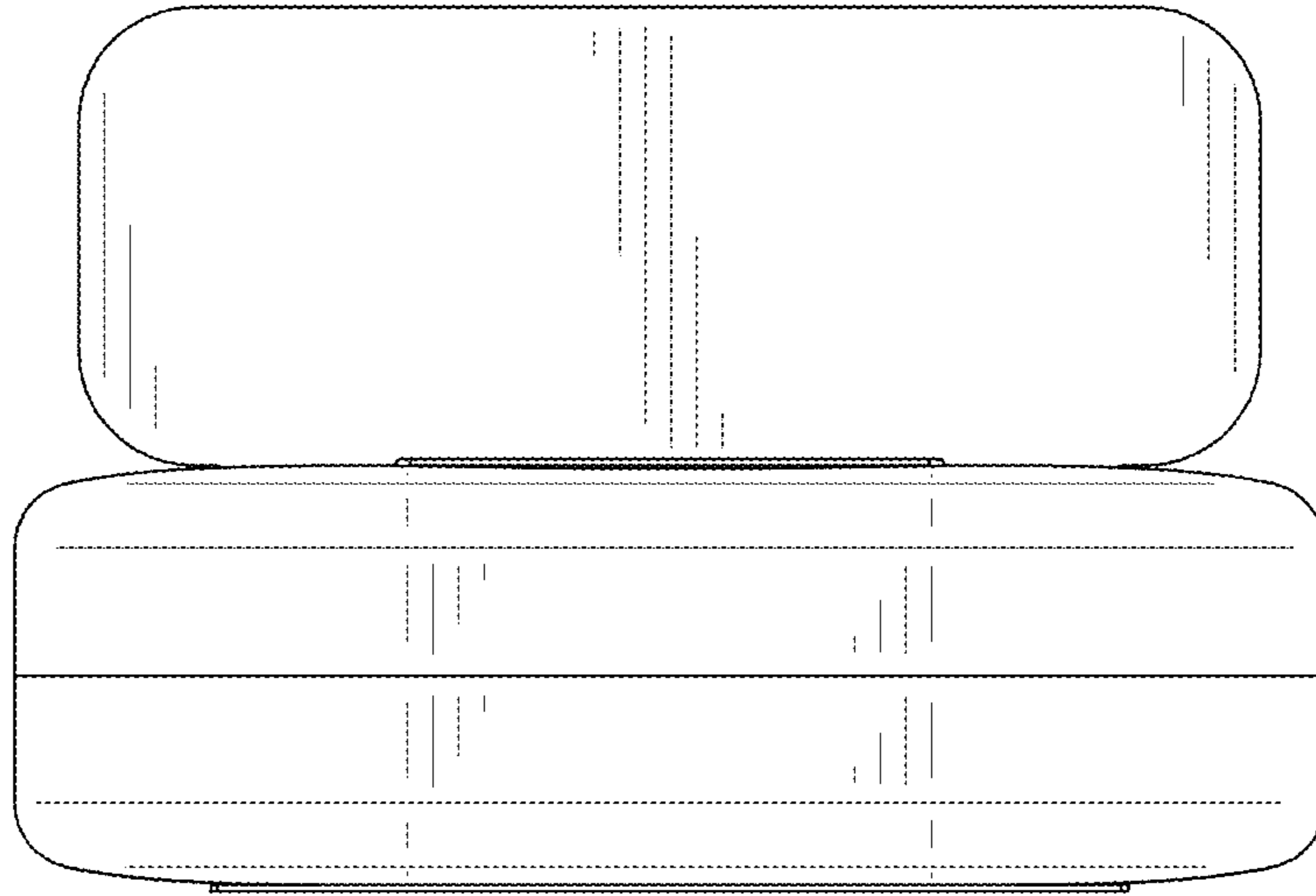


FIG. 8