



US00D911945S

(12) **United States Design Patent**
Xian

(10) **Patent No.:** **US D911,945 S**
(45) **Date of Patent:** **** Mar. 2, 2021**

- (54) **EARBUDS CHARGING CASE**
- (71) Applicant: **Guimei Xian**, Shenzhen (CN)
- (72) Inventor: **Guimei Xian**, Shenzhen (CN)
- (**) Term: **15 Years**
- (21) Appl. No.: **29/698,056**
- (22) Filed: **Jul. 13, 2019**
- (51) **LOC (13) Cl.** **13-02**
- (52) **U.S. Cl.**
USPC **D13/108; D14/223**
- (58) **Field of Classification Search**
USPC D13/107-110, 118-119, 184; D14/223,
D14/205, 206, 217, 219, 226, 440, 251,
D14/253, 432, 434; D3/294, 201;
D29/112
CPC Y02E 60/12; Y02T 90/14; Y02T 90/122;
Y02T 90/128; Y02T 90/163; H02J 7/025;
H02J 7/0042; H02J 7/0044; H02J 7/0045;
H02J 7/0013; H02J 7/0003; H01F 38/14;
H01R 13/6675; H01M 2/1022; H01M
2/1055; H01M 10/44; H01M 10/46;
H01M 10/425; B60L 11/182
See application file for complete search history.

| | | | | |
|--------------|--------|------------|-------|---------|
| D851,913 S * | 6/2019 | Yu | | D3/201 |
| D873,217 S * | 1/2020 | Zhang | | D13/108 |
| D881,810 S * | 4/2020 | Zhang | | D13/108 |
| D886,453 S * | 6/2020 | Wright | | D3/294 |
| D886,454 S * | 6/2020 | Williamson | | D3/294 |
| D886,455 S * | 6/2020 | Williamson | | D3/294 |
| D887,351 S * | 6/2020 | Bonahoom | | D13/108 |
| D888,662 S * | 6/2020 | Cramer | | D13/108 |
| D888,663 S * | 6/2020 | Weng | | D13/108 |
| D890,091 S * | 7/2020 | Cramer | | D13/108 |
| D892,497 S * | 8/2020 | Wright | | D3/294 |

* cited by examiner

Primary Examiner — Nathaniel D. Buckner

(57) **CLAIM**

The ornamental design for an earbuds charging case, as shown and described.

DESCRIPTION

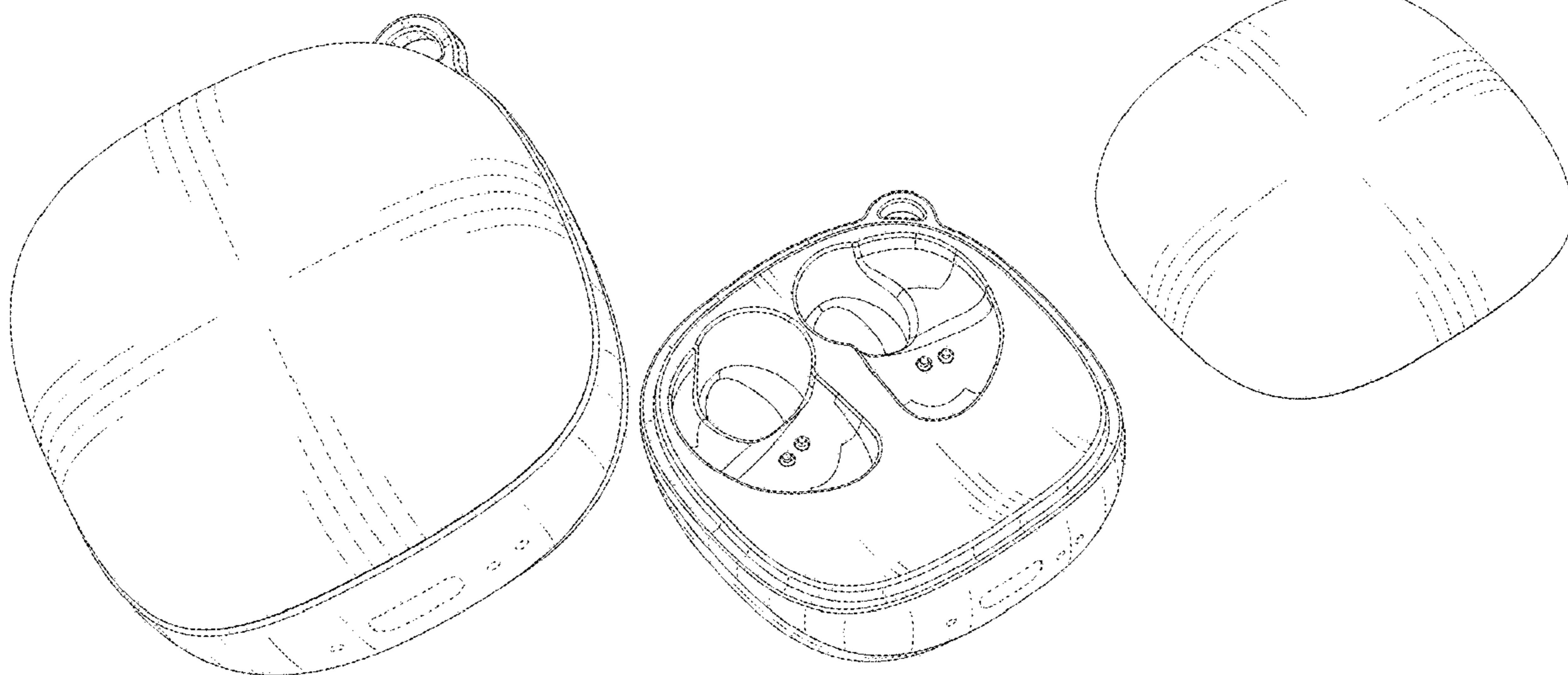
FIG. 1 is a front perspective view of the earbuds charging case showing my new design;
 FIG. 2 is a front elevational view thereof;
 FIG. 3 is a rear elevational view thereof;
 FIG. 4 is a left side elevational view thereof;
 FIG. 5 is a right side elevational view thereof;
 FIG. 6 is a top plan view thereof;
 FIG. 7 is a bottom plan view thereof; and,
 FIG. 8 is another perspective view, showing the earbuds charging case opened.
 The broken lines in the figures depict the portions of the article that form no parts of the claimed design.

1 Claim, 8 Drawing Sheets

(56) **References Cited**

U.S. PATENT DOCUMENTS

| | | | | |
|--------------|--------|----------|-------|---------|
| D633,437 S * | 3/2011 | Chilton | | D13/108 |
| D841,581 S * | 2/2019 | Bonahoom | | D13/108 |



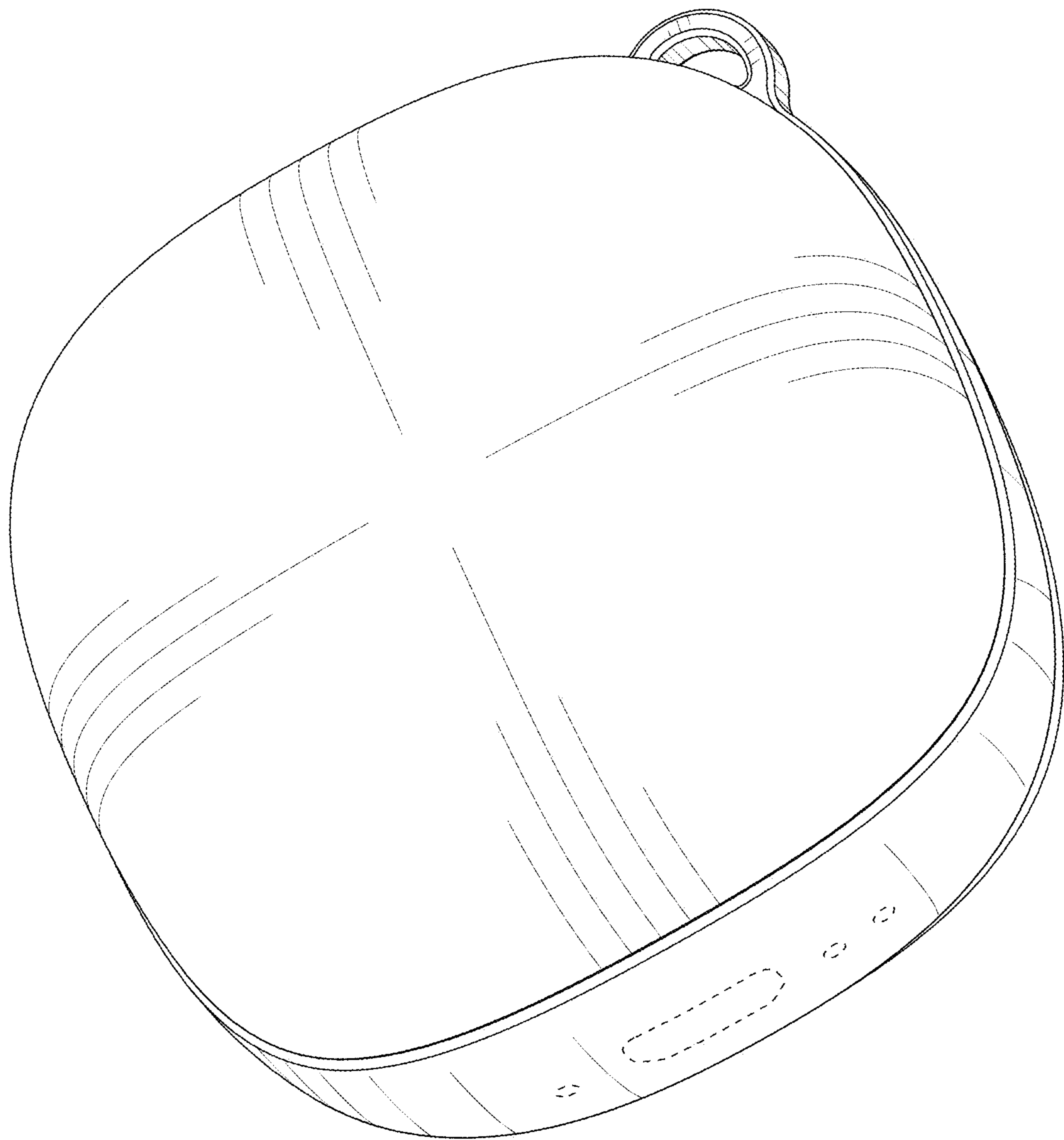


FIG. 1

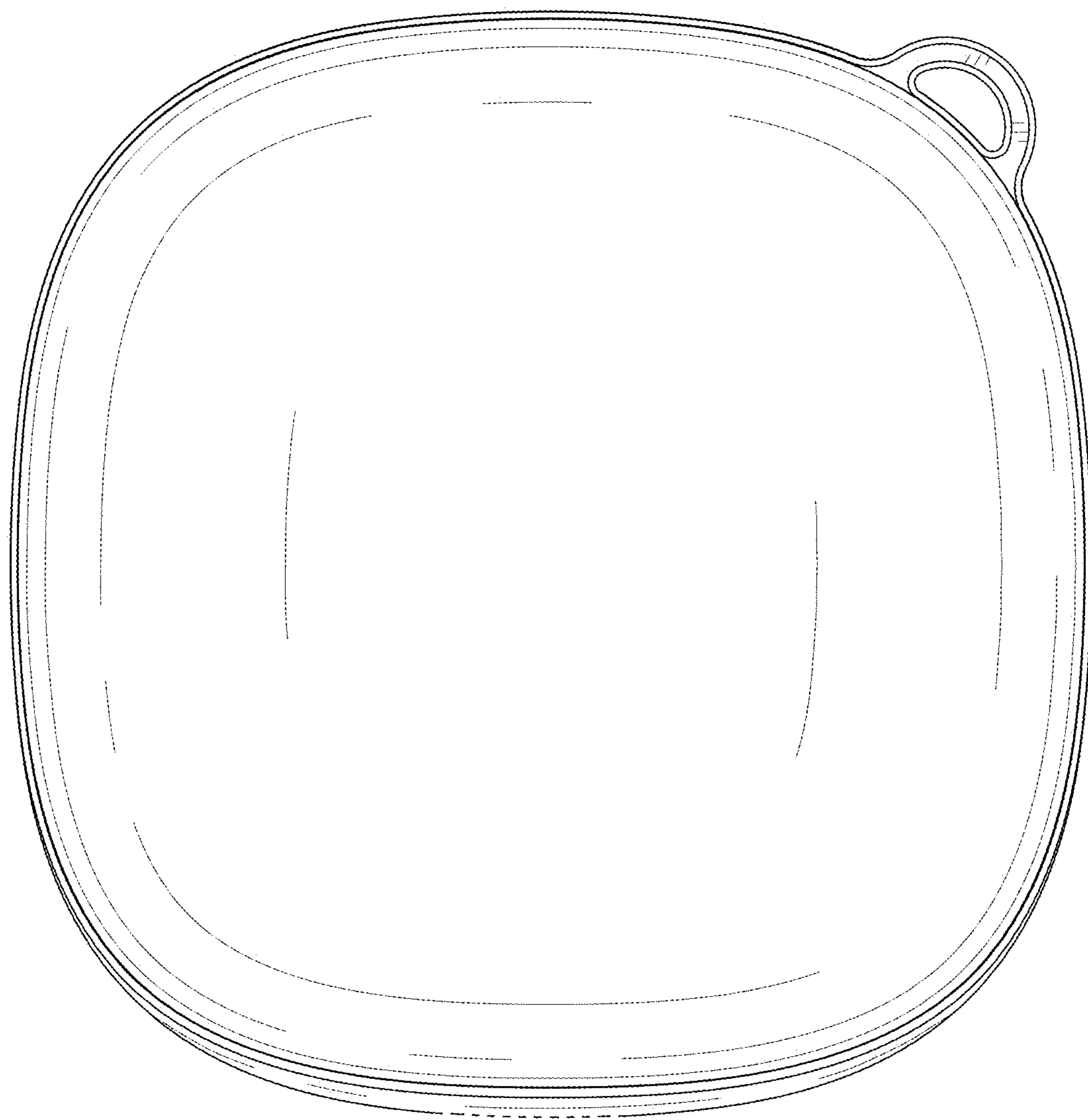


FIG. 2

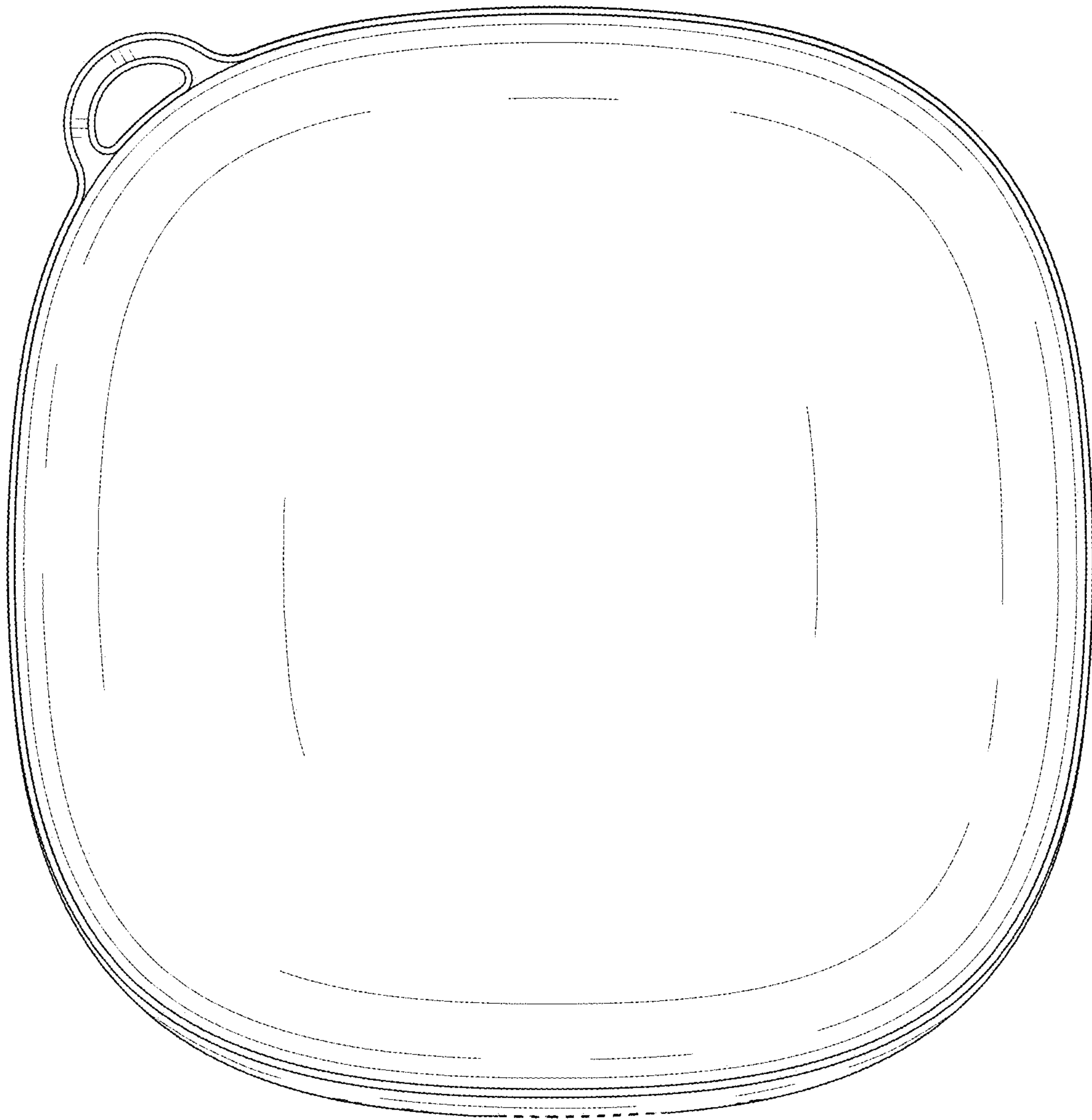


FIG. 3

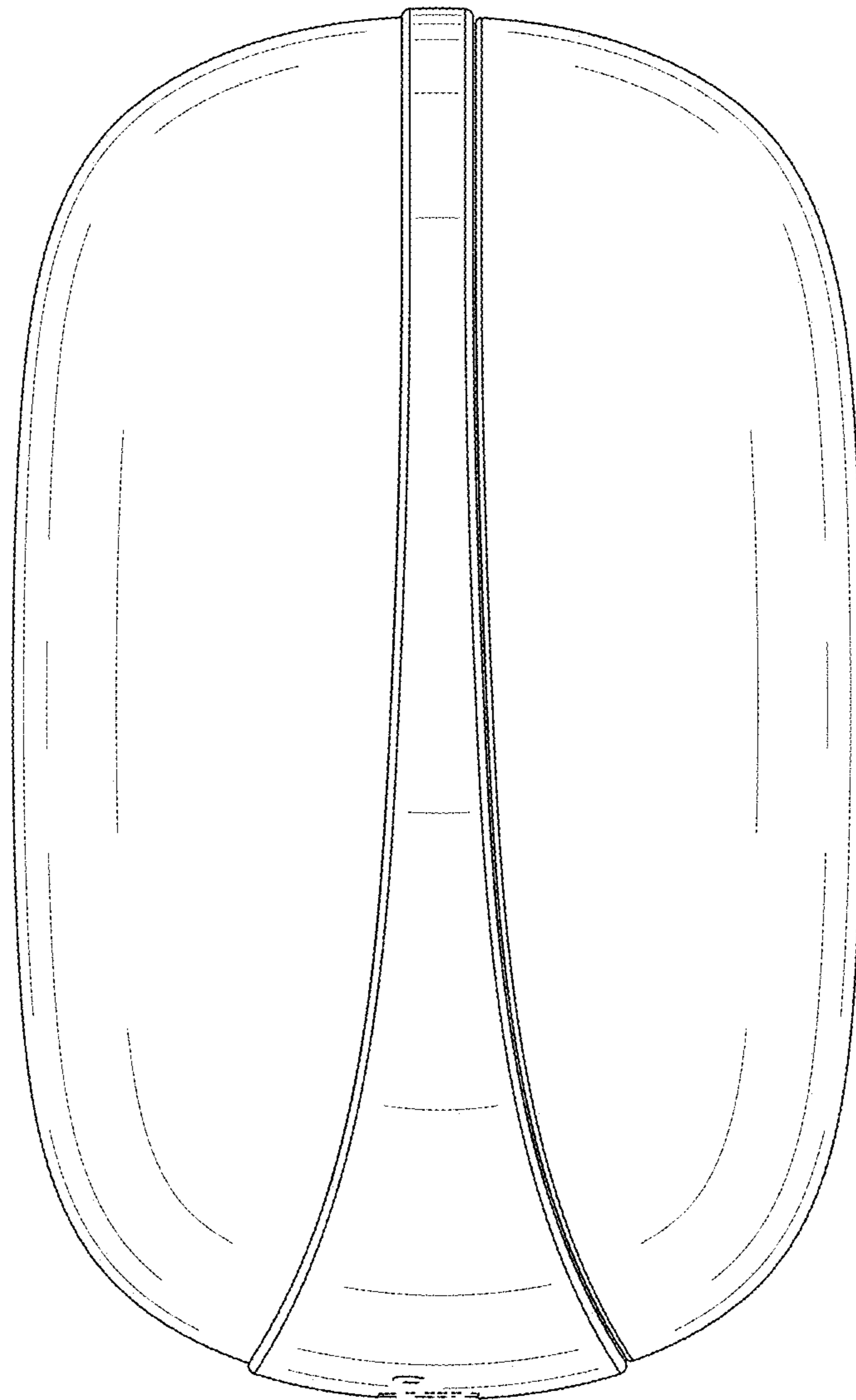


FIG. 4

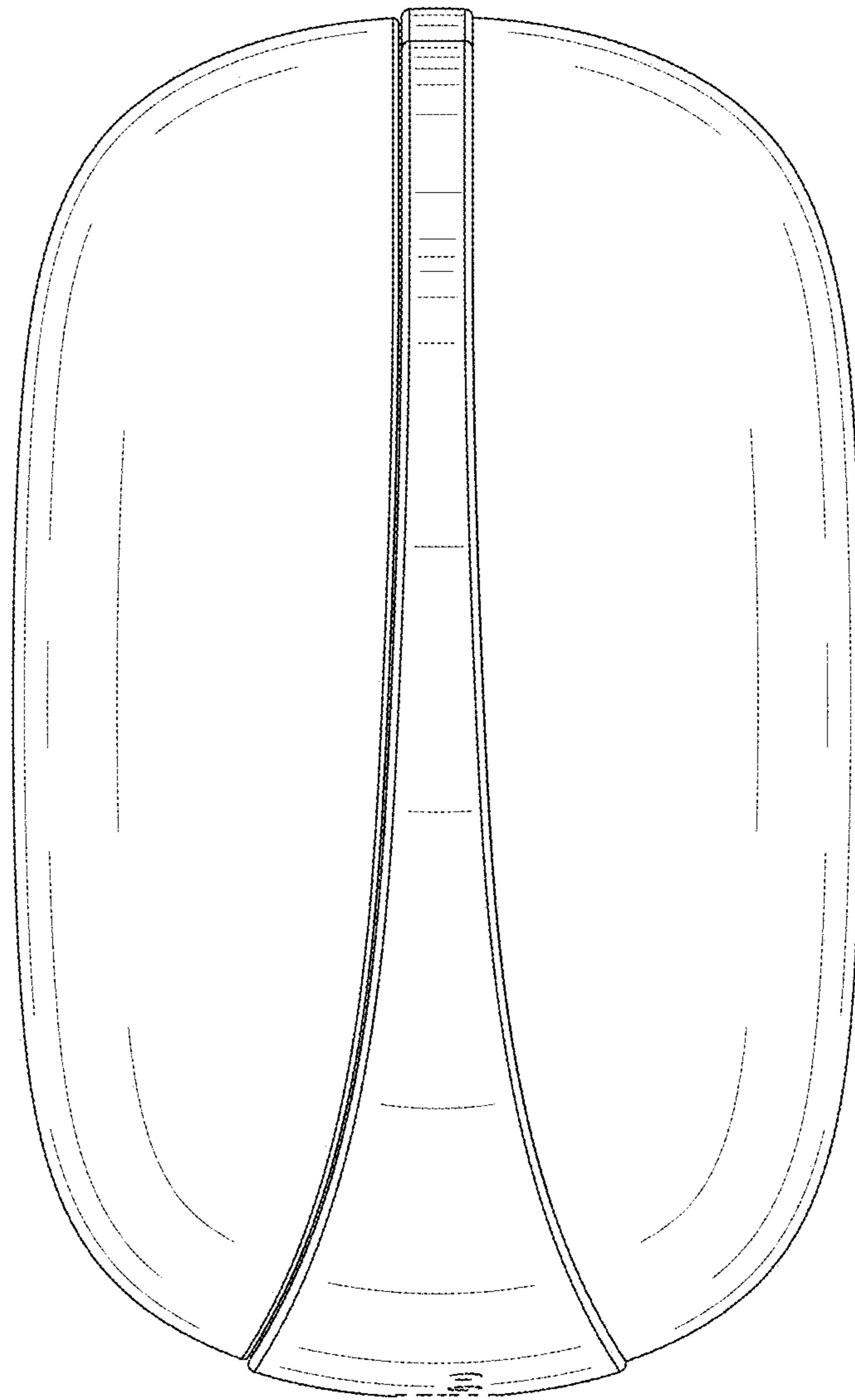


FIG. 5

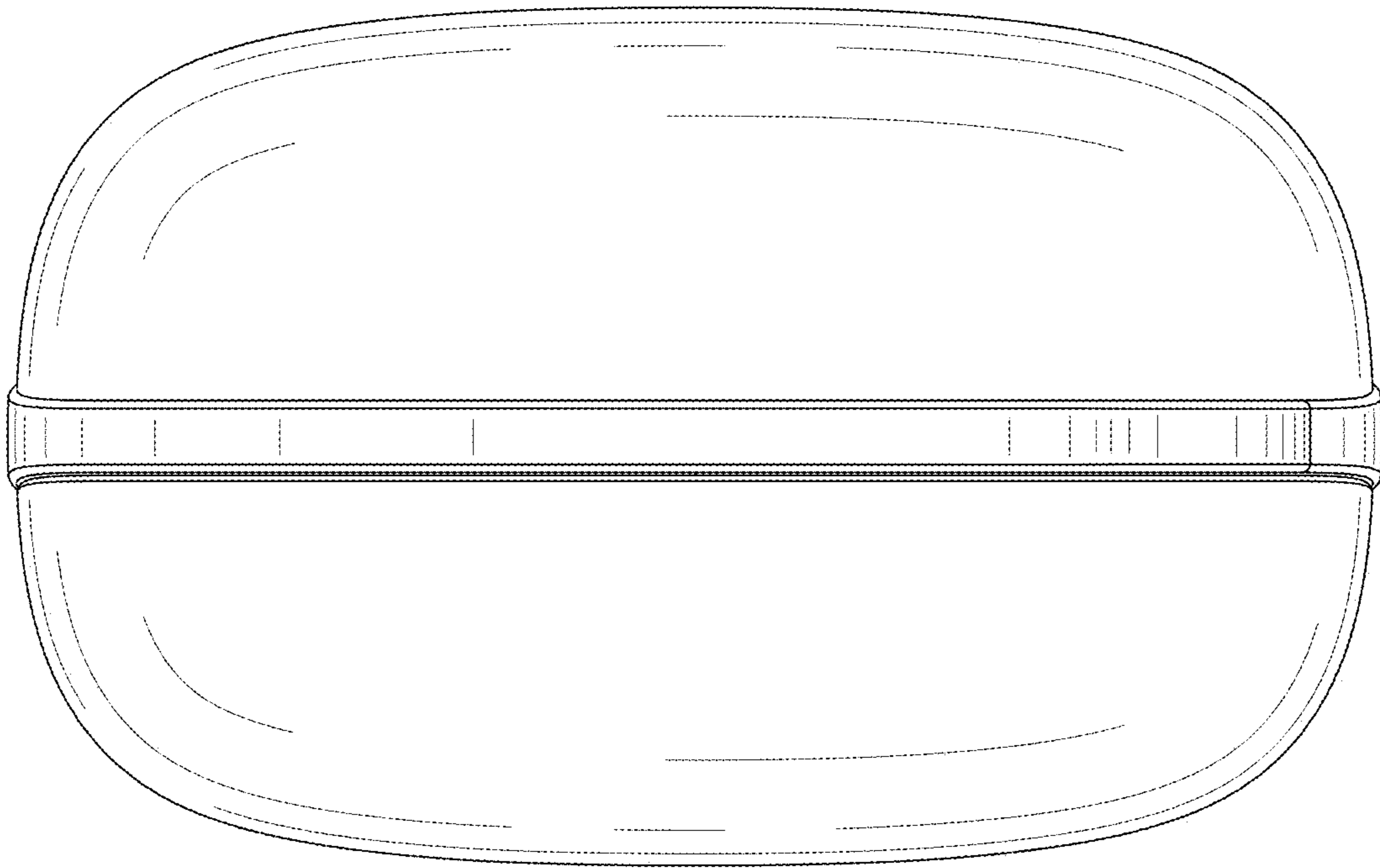


FIG. 6

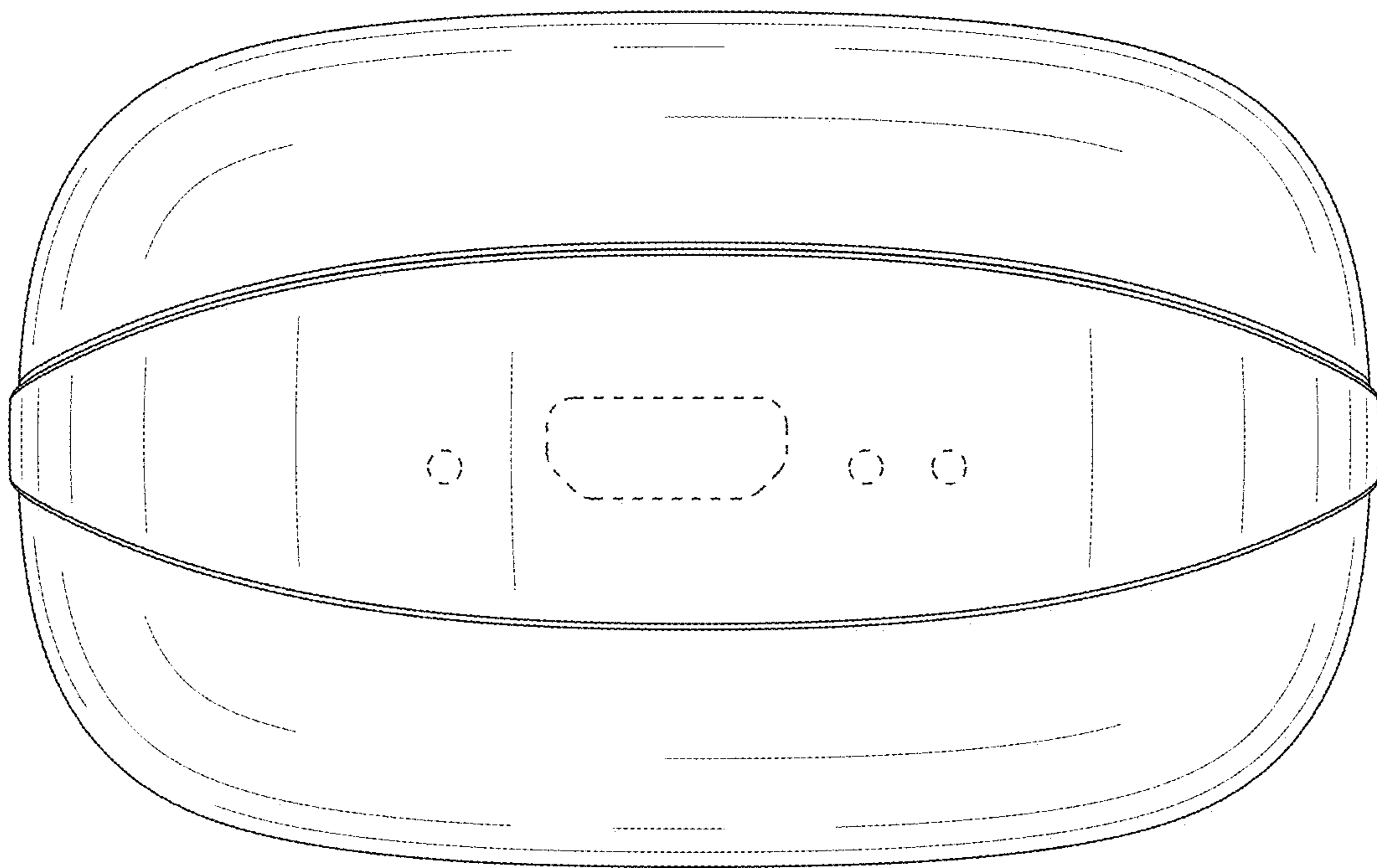


FIG. 7

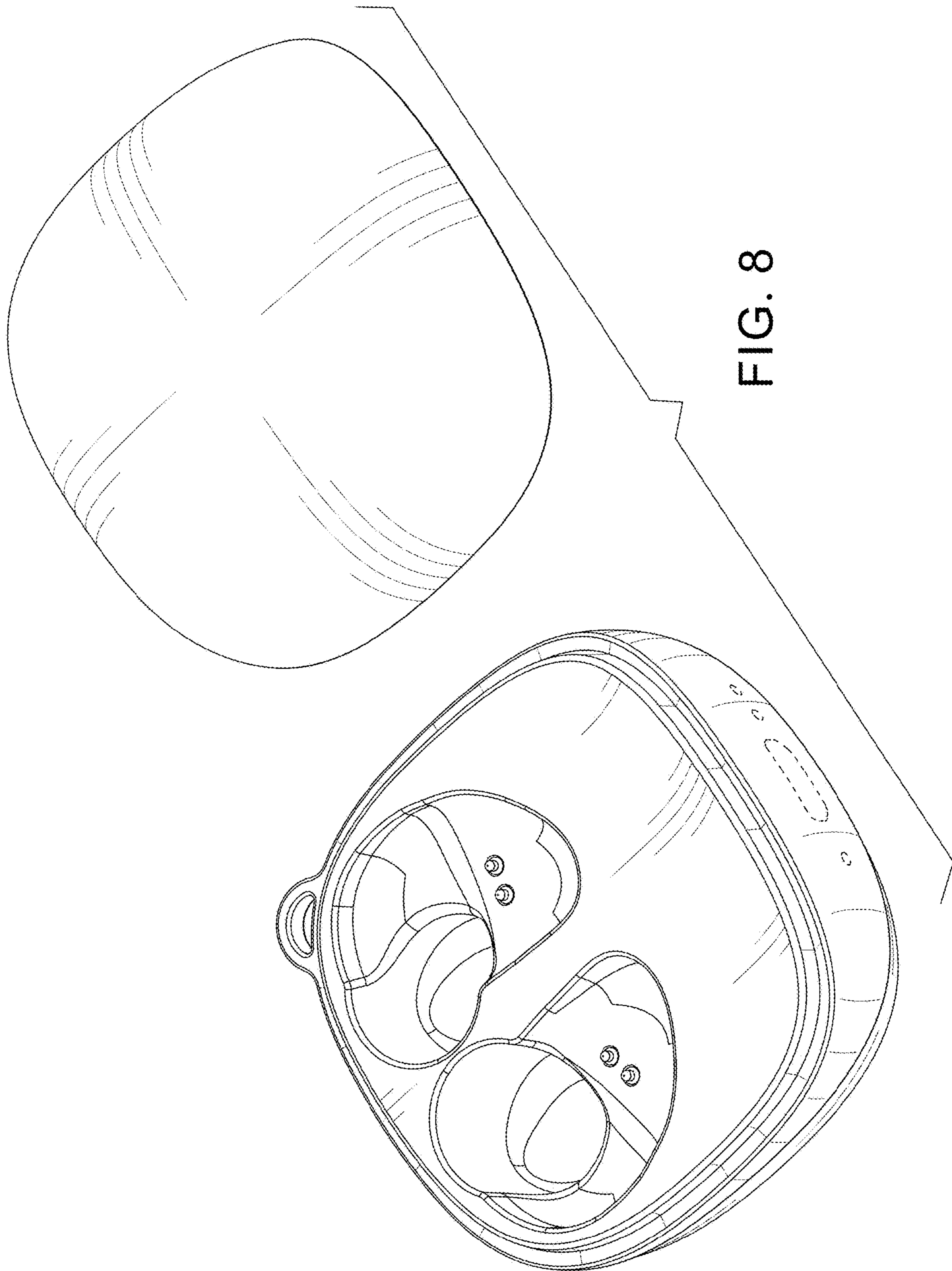


FIG. 8