



US00D911944S

(12) **United States Design Patent**
Gao

(10) **Patent No.:** **US D911,944 S**

(45) **Date of Patent:** **** Mar. 2, 2021**

(54) **COMBINED EARPHONE AND EARPHONE CHARGING CASE**

(71) Applicant: **Wenyi Gao**, Anhui (CN)

(72) Inventor: **Wenyi Gao**, Anhui (CN)

(**) Term: **15 Years**

(21) Appl. No.: **29/695,687**

(22) Filed: **Jun. 21, 2019**

(51) **LOC (13) Cl.** **13-02**

(52) **U.S. Cl.**
USPC **D13/108; D14/223**

(58) **Field of Classification Search**
USPC D13/107–110, 118–119, 184; D14/223,
D14/205, 206, 217, 219, 226, 440, 251,
D14/253, 432, 434; D3/294, 201;
D29/112

CPC Y02E 60/12; Y02T 90/14; Y02T 90/122;
Y02T 90/128; Y02T 90/163; H02J 7/025;
H02J 7/0042; H02J 7/0044; H02J 7/0045;
H02J 7/0013; H02J 7/0003; H01F 38/14;
H01R 13/6675; H01M 2/1022; H01M
2/1055; H01M 10/44; H01M 10/46;
H01M 10/425; B60L 11/182

See application file for complete search history.

(56) **References Cited**

U.S. PATENT DOCUMENTS

D791,077 S * 7/2017 Tsou D13/108
D823,246 S * 7/2018 Lin D13/108

D826,852 S * 8/2018 Hung D13/108
D843,937 S * 3/2019 Xiao D13/108
D846,264 S * 4/2019 Wu D3/201
D873,217 S * 1/2020 Zhang D13/108
D878,045 S * 3/2020 Akana D3/274
D878,337 S * 3/2020 Yang D14/223
D881,572 S * 4/2020 Wang D3/294
D890,724 S * 7/2020 Li D14/223
D892,497 S * 8/2020 Wright D3/294
D893,184 S * 8/2020 Liu D3/294
D894,123 S * 8/2020 Xiong D13/108

* cited by examiner

Primary Examiner — Nathaniel D. Buckner

(57) **CLAIM**

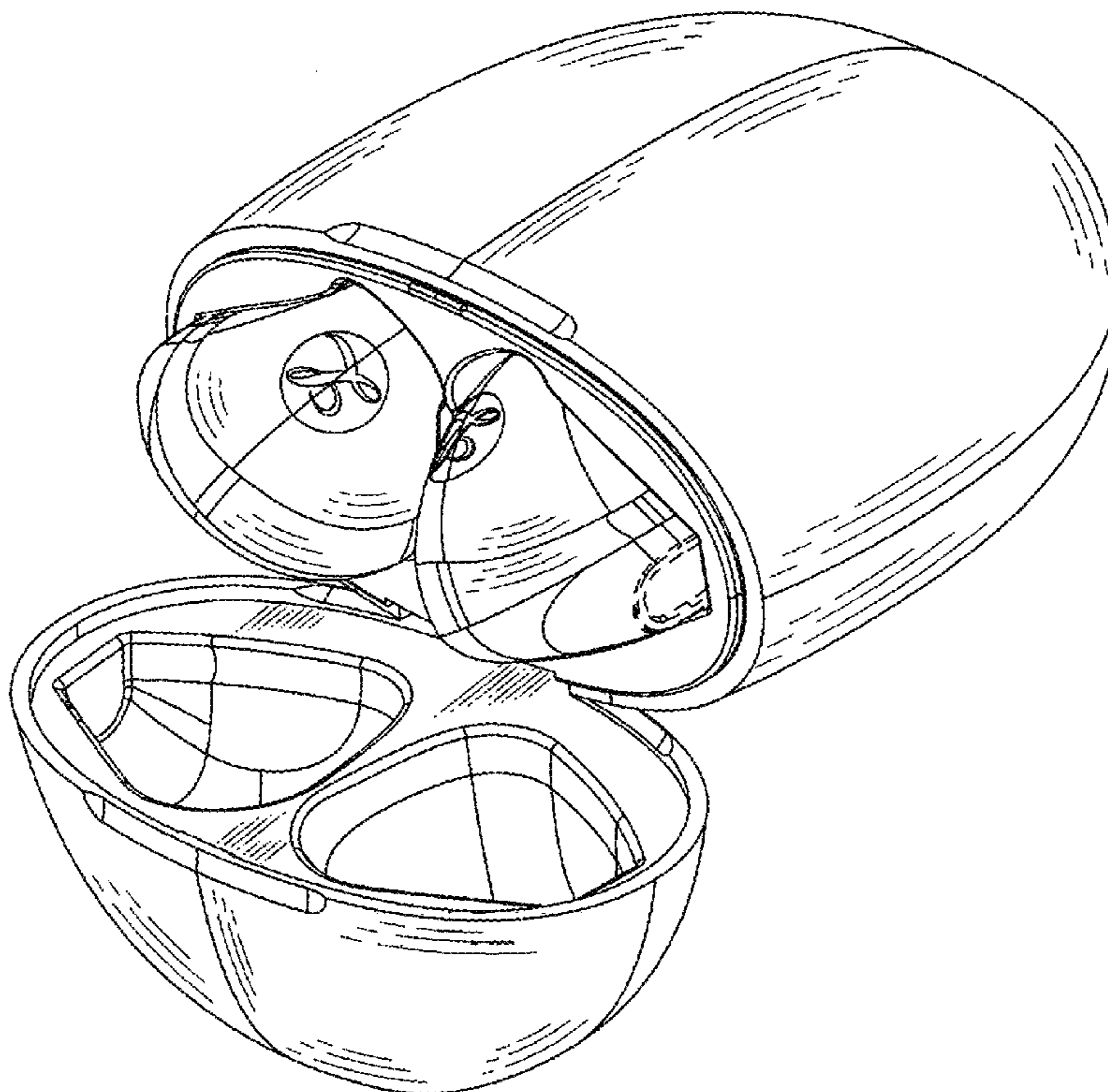
The ornamental design for a combined earphone and earphone charging case, as shown and described.

DESCRIPTION

FIG. 1 is a perspective view of a combined earphone and earphone charging case showing my new design; FIG. 2 is a front elevational view thereof; FIG. 3 is a rear elevational view thereof; FIG. 4 is a left side elevational view thereof; FIG. 5 is a right side elevational view thereof; FIG. 6 is a top plan view thereof; and, FIG. 7 is a bottom plan view thereof.

The broken lines in the drawings depict portions of the combined earphone and earphone charging case that form no part of the claimed design.

1 Claim, 7 Drawing Sheets



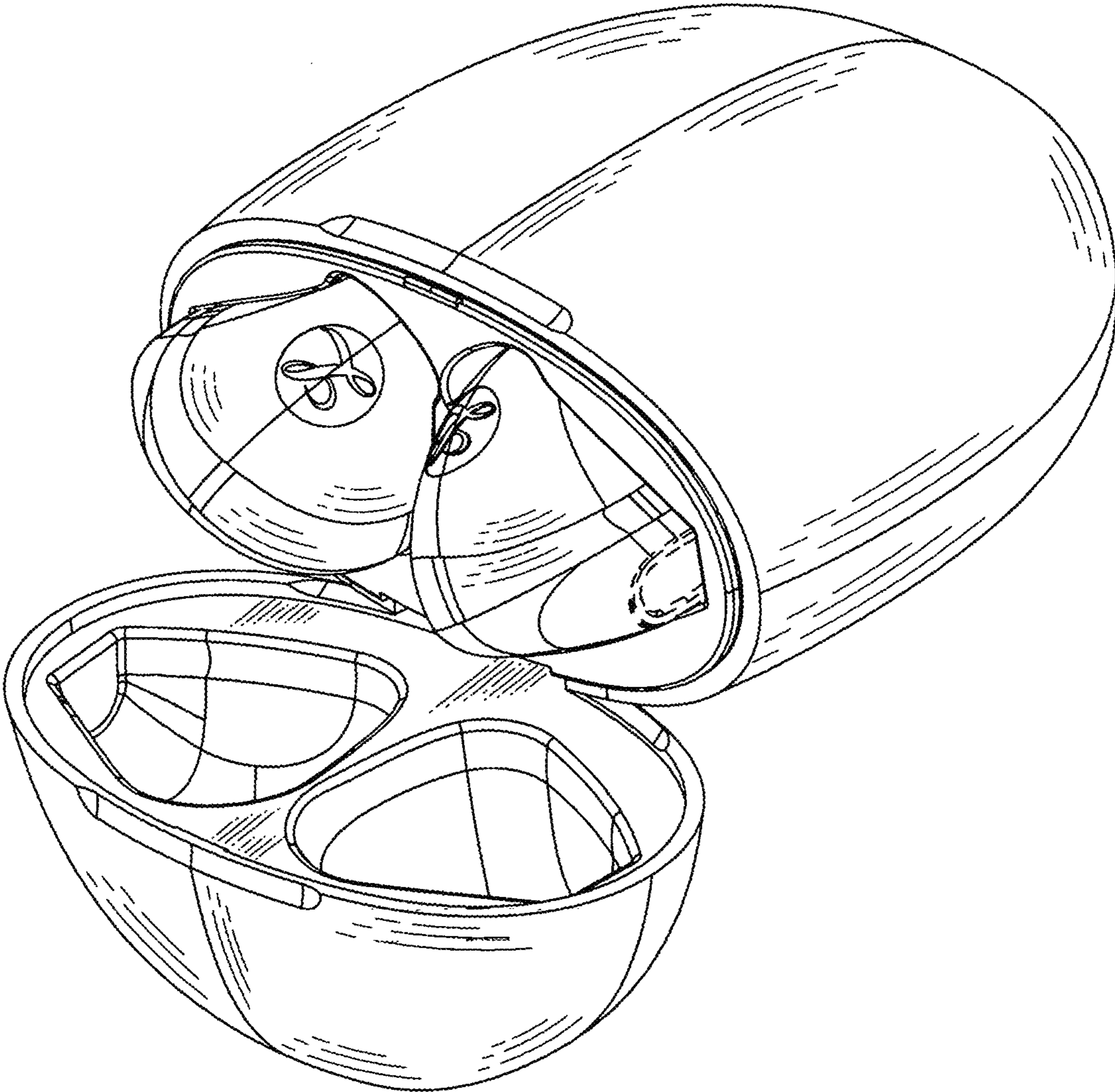


FIG. 1

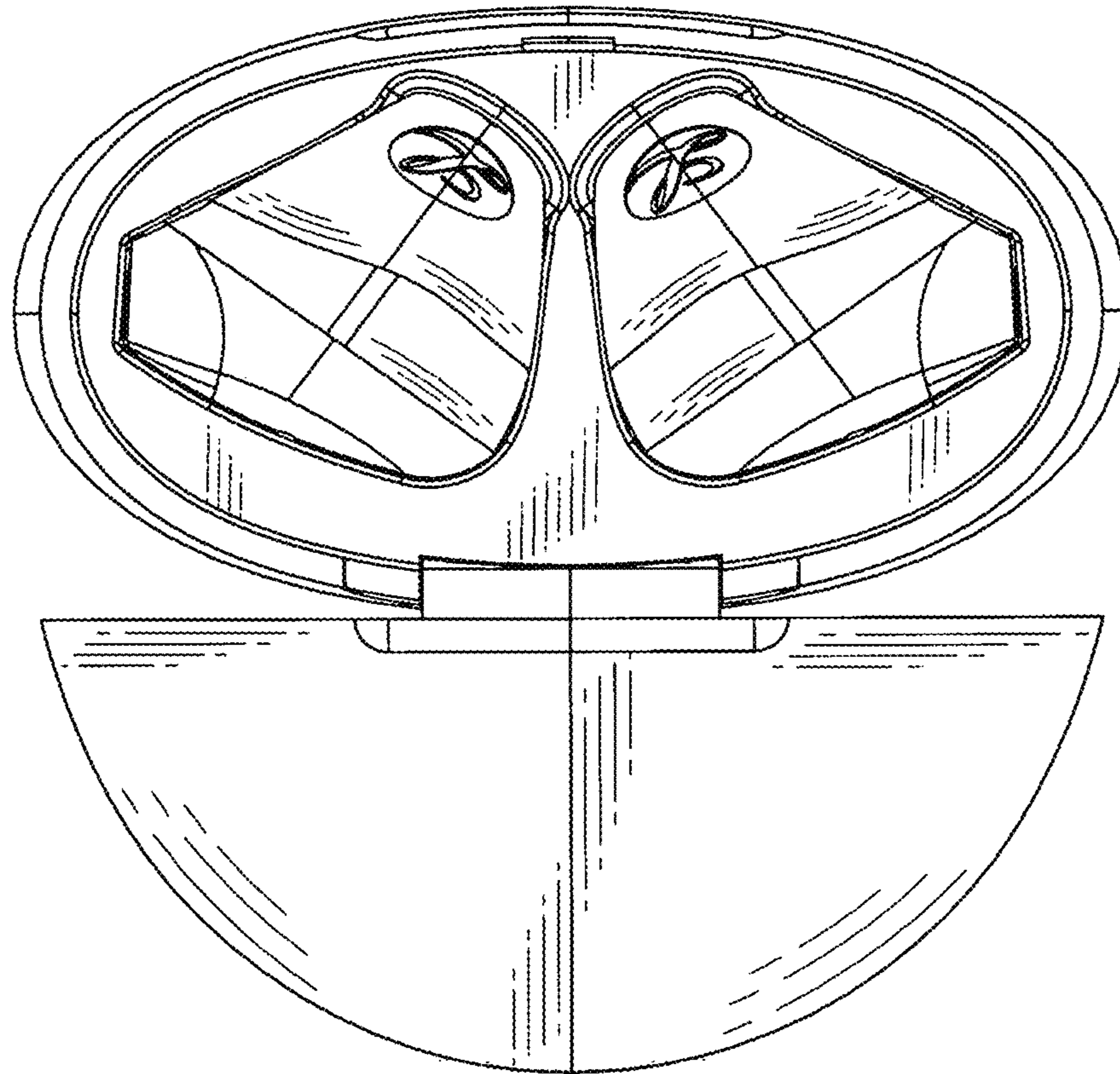


FIG. 2

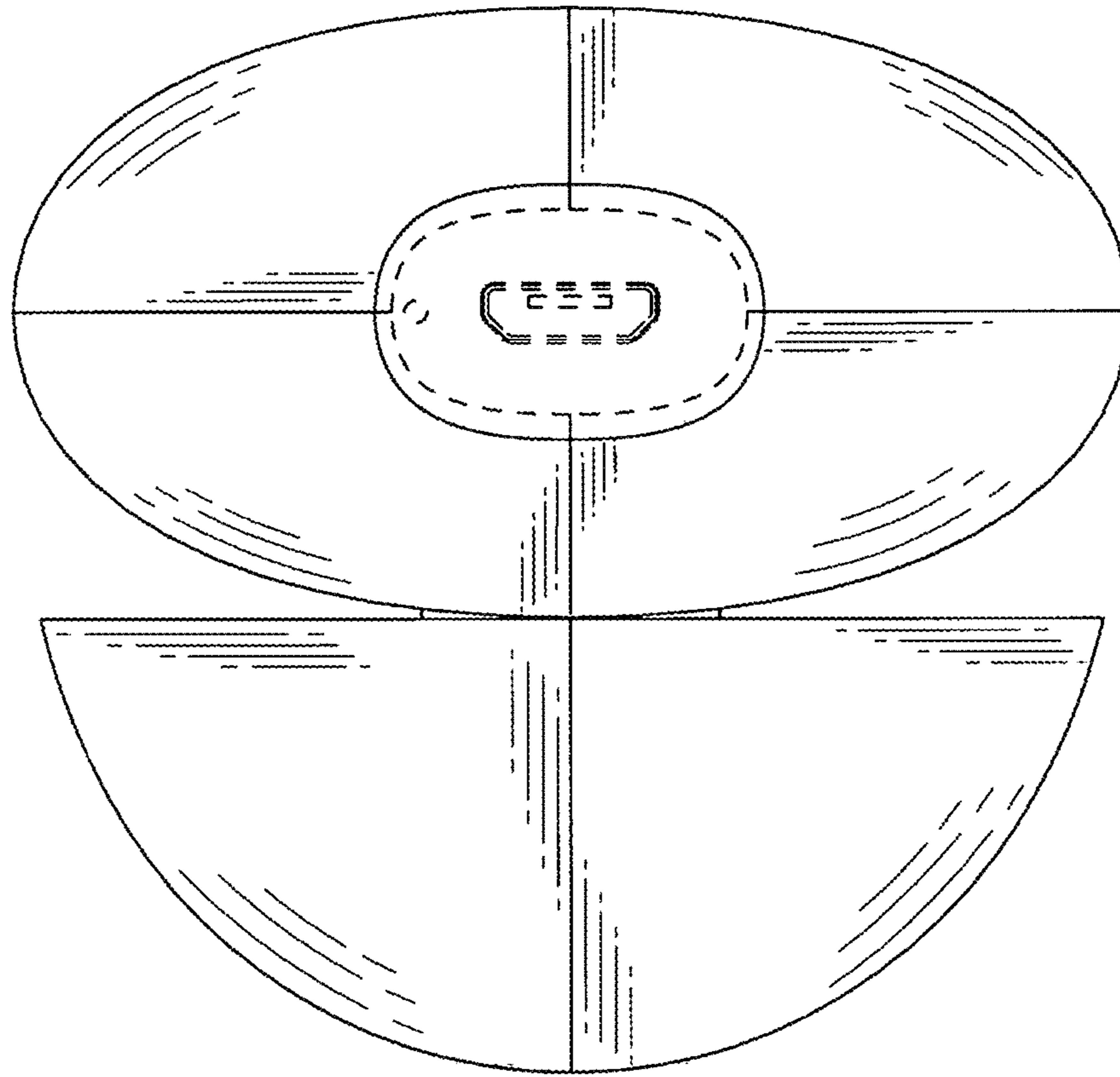


FIG. 3

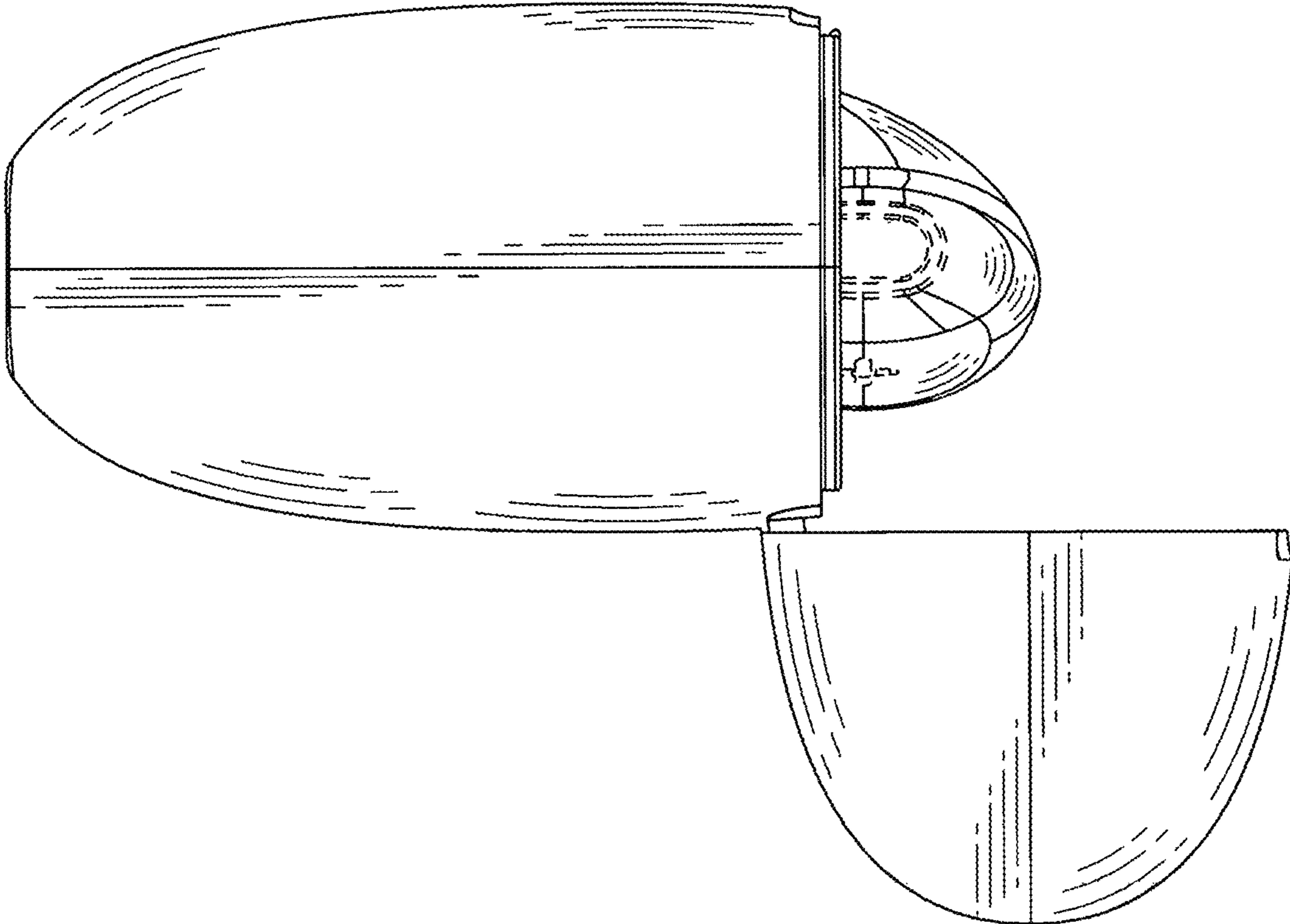


FIG. 4

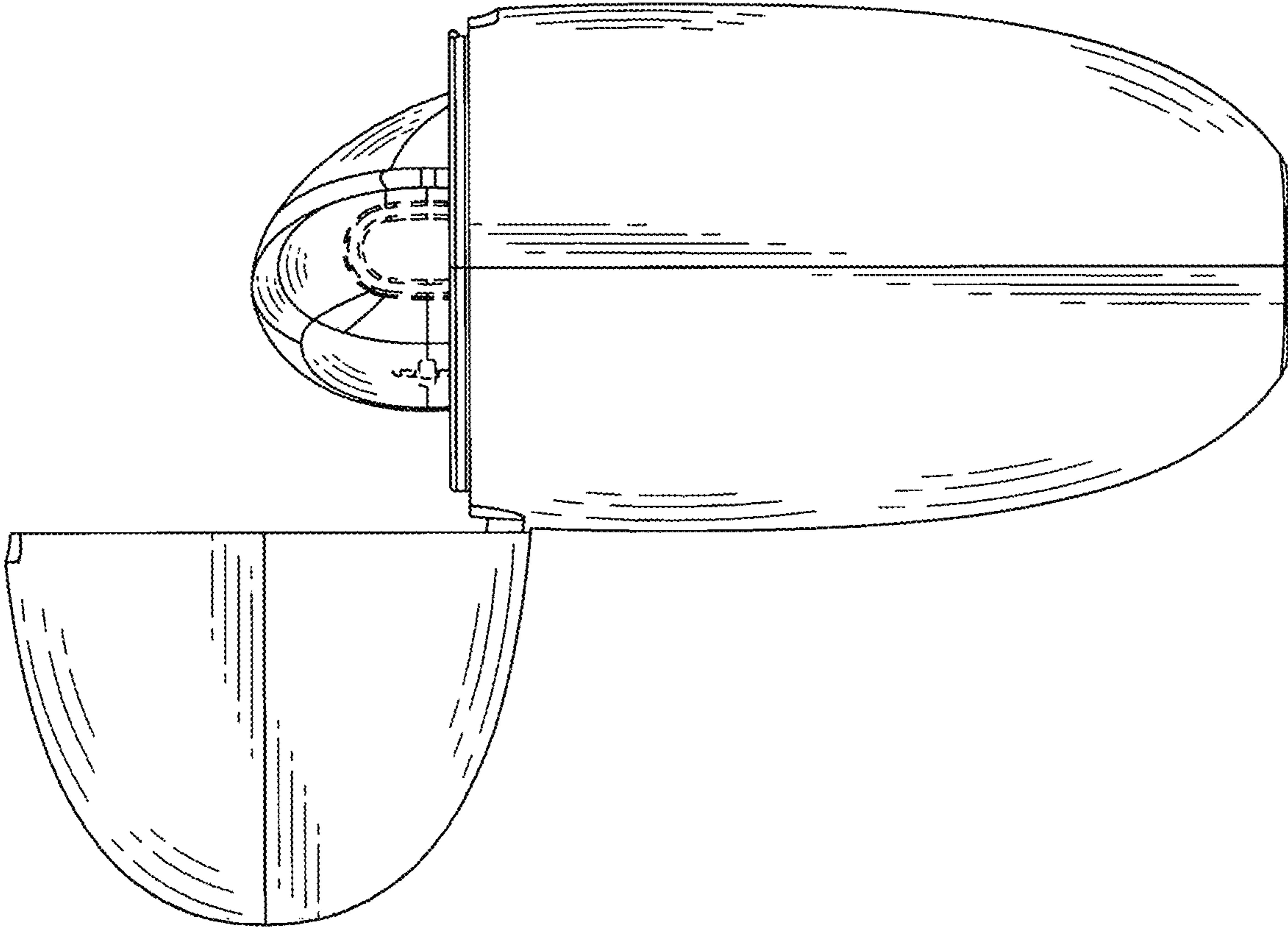


FIG. 5

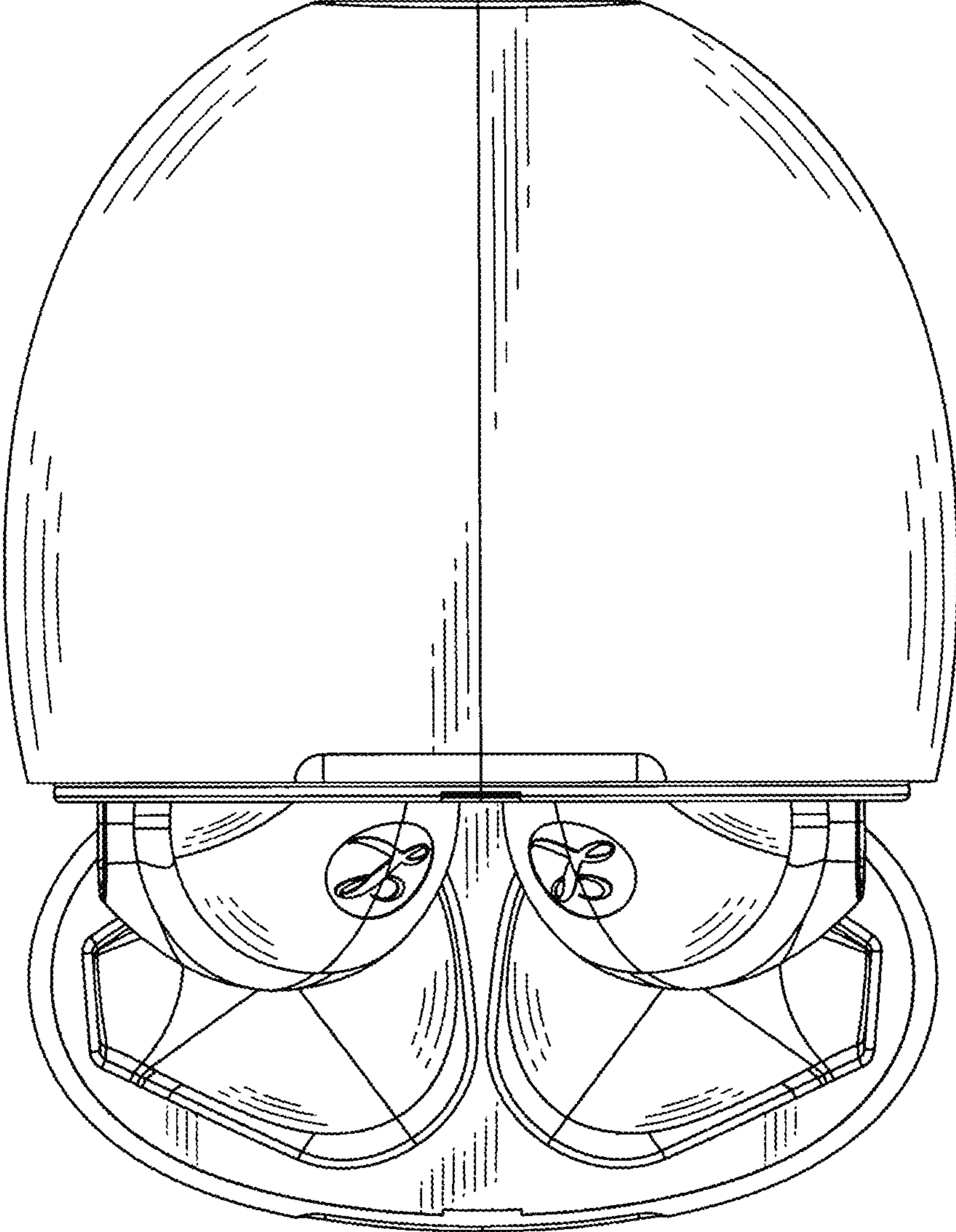


FIG. 6

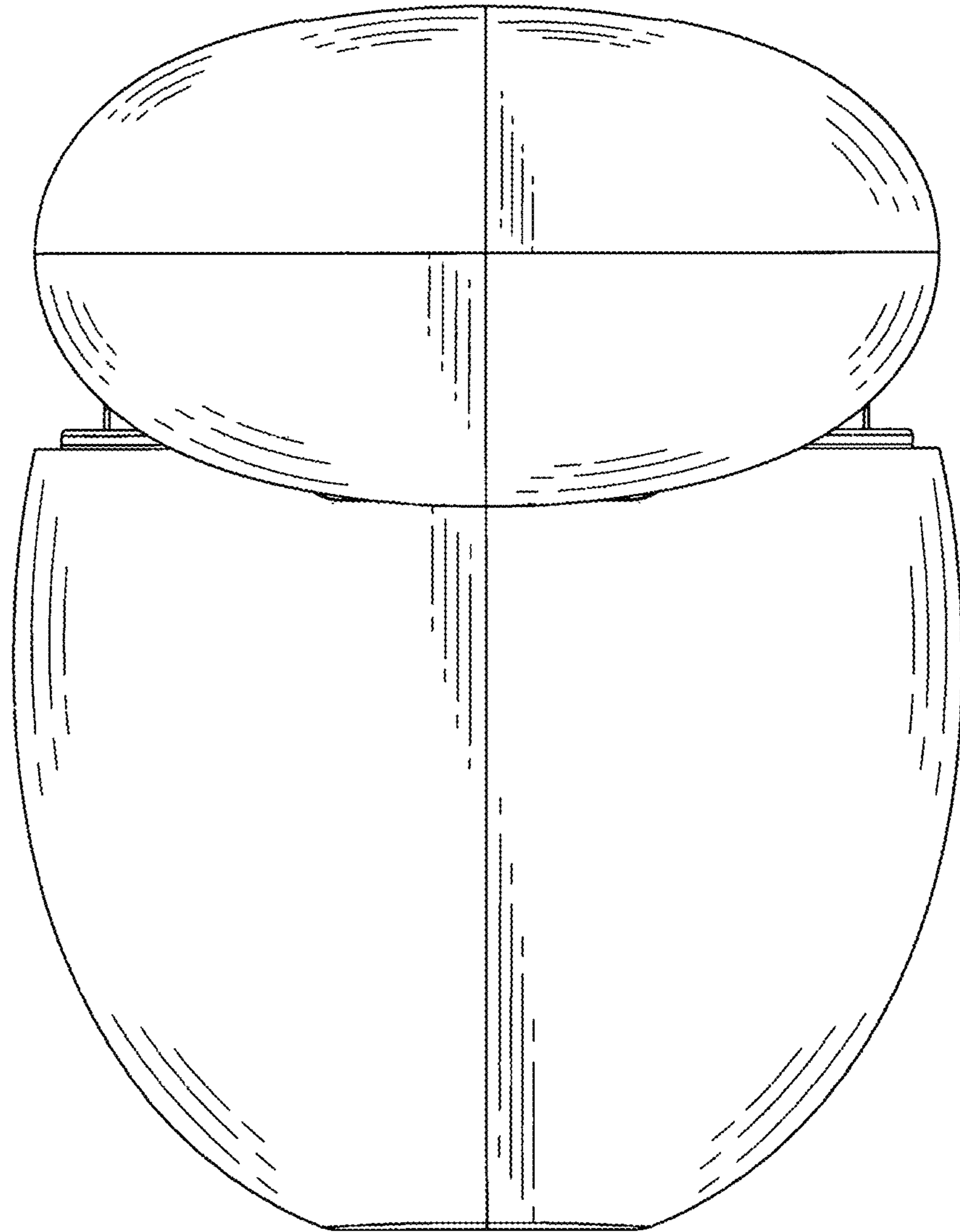


FIG. 7