



US00D911943S

(12) **United States Design Patent** (10) **Patent No.:** **US D911,943 S**
Louis (45) **Date of Patent:** **** Mar. 2, 2021**

(54) **CELL PHONE CHARGING KIOSK**

(71) Applicant: **Joshua I. Louis**, Brooklyn, NY (US)

(72) Inventor: **Joshua I. Louis**, Brooklyn, NY (US)

(**) Term: **15 Years**

(21) Appl. No.: **29/695,434**

(22) Filed: **Jun. 19, 2019**

(51) **LOC (13) Cl.** **13-02**

(52) **U.S. Cl.**
USPC **D13/108**

(58) **Field of Classification Search**
USPC D13/103, 107-110, 118-119, 184, 199;
D14/307

CPC H02J 7/02; H02J 7/14; H02J 7/1438; H02J
7/342; H02J 7/345; H02J 7/00; H02J
7/0026; H02J 7/027; H02J 7/0042; H02J
7/0044; H02J 7/0045; H02J 7/0013; H02J
7/0003; H02J 2310/00; H02J 2310/40;
H02J 2310/48

See application file for complete search history.

(56) **References Cited**

U.S. PATENT DOCUMENTS

7,956,573	B1 *	6/2011	Rosen	H02J 7/0045 320/110
D674,334	S *	1/2013	Cutter	D13/107
D692,824	S *	11/2013	Fiaschetti	D13/108
D708,573	S *	7/2014	Gieniec	D13/107
D708,574	S *	7/2014	Gieniec	D13/107
D720,696	S *	1/2015	Huang	D13/119
D753,588	S *	4/2016	Reiner	D13/110
D755,122	S *	5/2016	Gecawicz	D13/107
D775,622	S *	1/2017	Fu	D14/307
D790,457	S *	6/2017	Vargas	D13/108
D795,186	S *	8/2017	Skurdal	D13/108
D795,187	S *	8/2017	Skurdal	D13/108
D795,188	S *	8/2017	Skurdal	D13/108
D795,189	S *	8/2017	Skurdal	D13/108

D889,397	S *	7/2020	Bouman	D13/107
2012/0262112	A1 *	10/2012	Ross	B60L 53/665 320/109
2014/0354214	A1 *	12/2014	Phelps	G07F 15/006 320/107
2014/0368156	A1 *	12/2014	Aloe	H02J 7/0042 320/106
2015/0137732	A1 *	5/2015	Lai	H02J 50/40 320/101
2015/0137759	A1 *	5/2015	Palmer	H02J 7/0045 320/112

(Continued)

Primary Examiner — Rosemary K Tarcza

(74) *Attorney, Agent, or Firm* — MG Miller Intellectual Property Law LLC

(57) **CLAIM**

The ornamental design for a cell phone charging kiosk, as shown and described.

DESCRIPTION

FIG. 1 is a perspective view of a cell phone charging kiosk showing my new design.

FIG. 2. is a front view of the cell phone charging kiosk shown in FIG. 1.

FIG. 3 is a rear view of the cell phone charging kiosk shown in FIG. 1.

FIG. 4 is a right side view of the cell phone charging kiosk shown in FIG. 1.

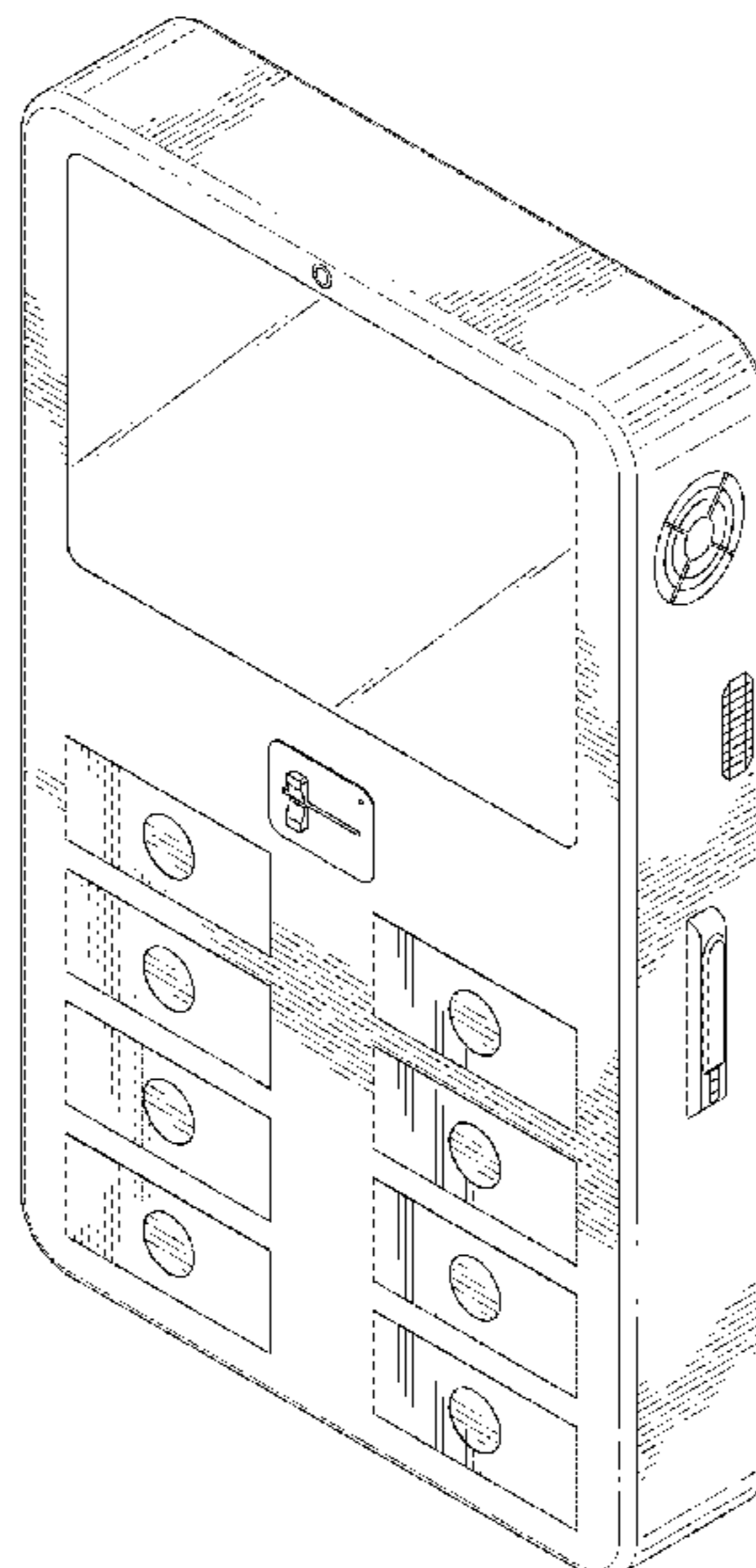
FIG. 5 is a left side view of the cell phone charging kiosk shown in FIG. 1.

FIG. 6 is a top view of the cell phone charging kiosk shown in FIG. 1; and,

FIG. 7 is a bottom view of the cell phone charging kiosk shown in FIG. 1.

The broken lines shown in the drawings are for the purpose of illustrating portions of the cell phone charging kiosk that form no part of the claimed design.

1 Claim, 5 Drawing Sheets



(56)

References Cited

U.S. PATENT DOCUMENTS

2018/0262030 A1* 9/2018 Zadvinskis G06F 1/26
2019/0125105 A1* 5/2019 Bacallao H02J 7/0027

* cited by examiner

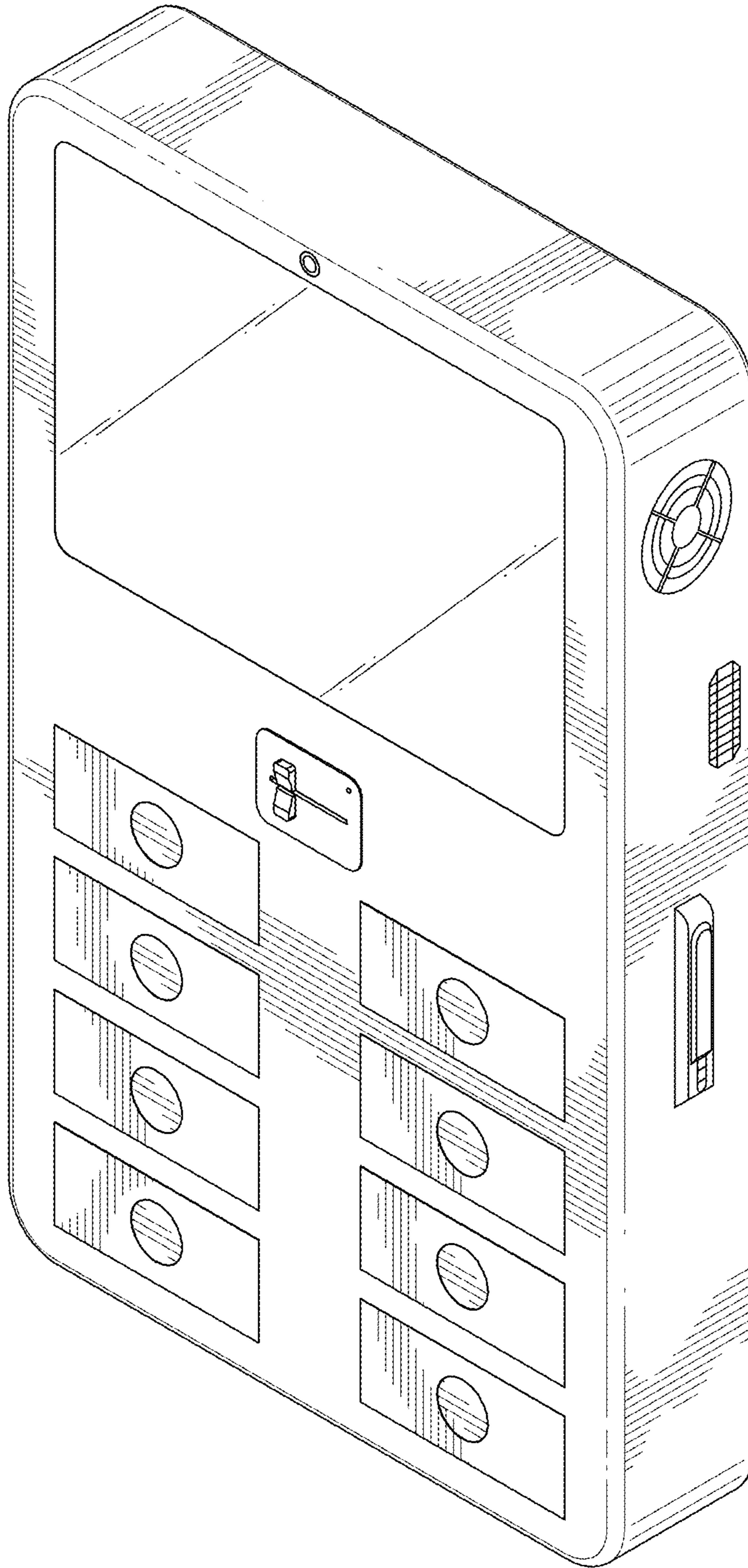


FIG. 1

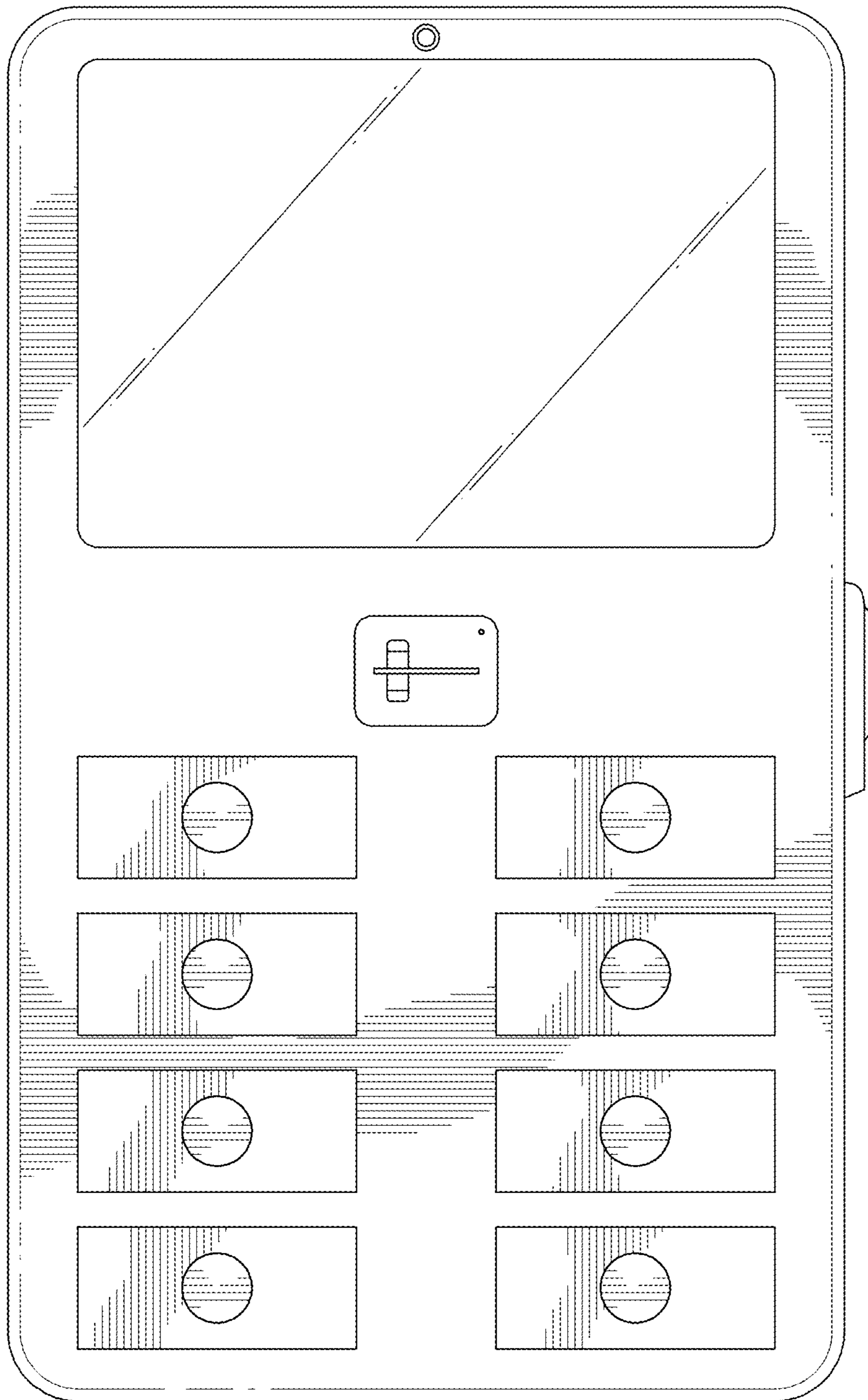


FIG. 2

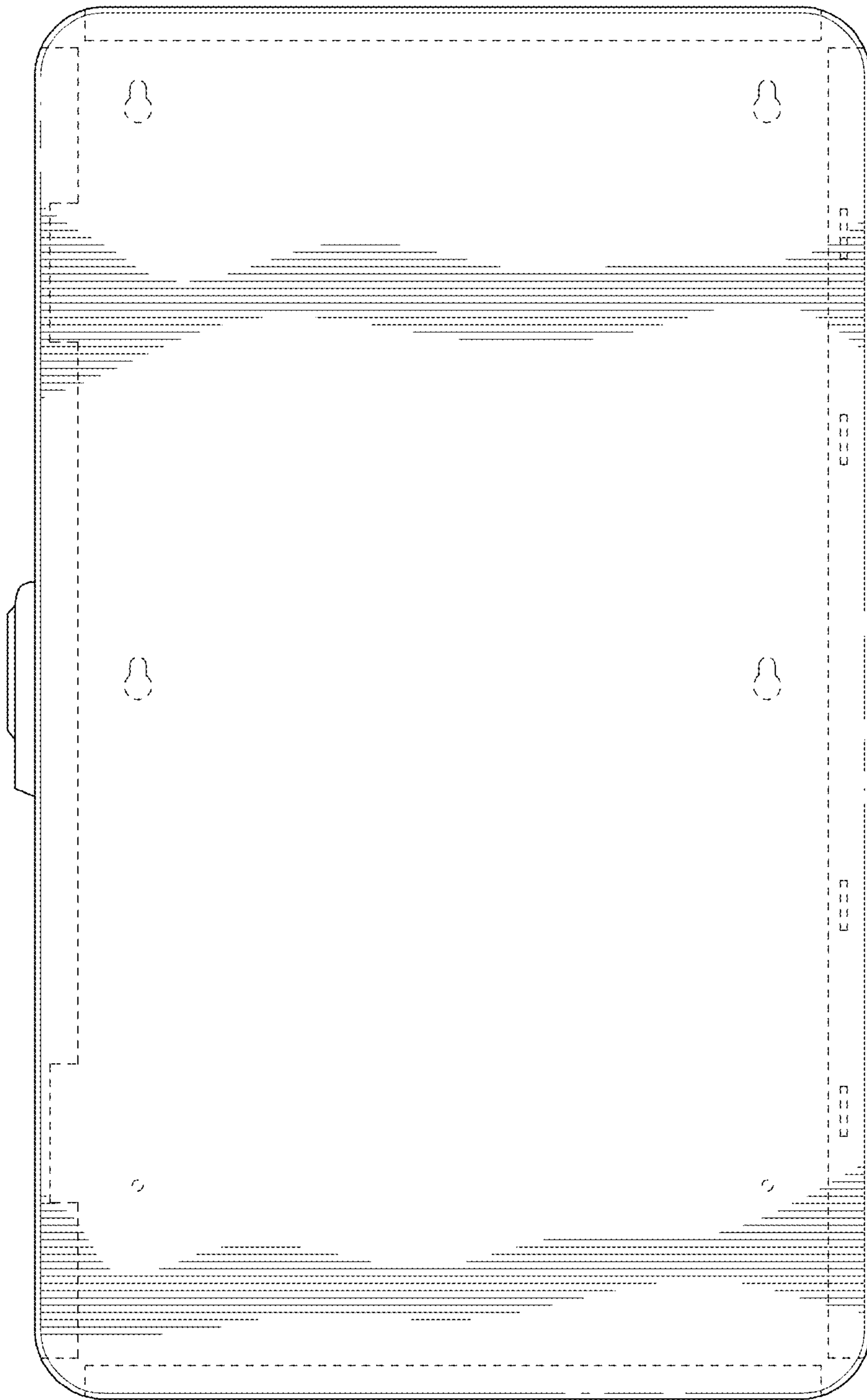


FIG.3

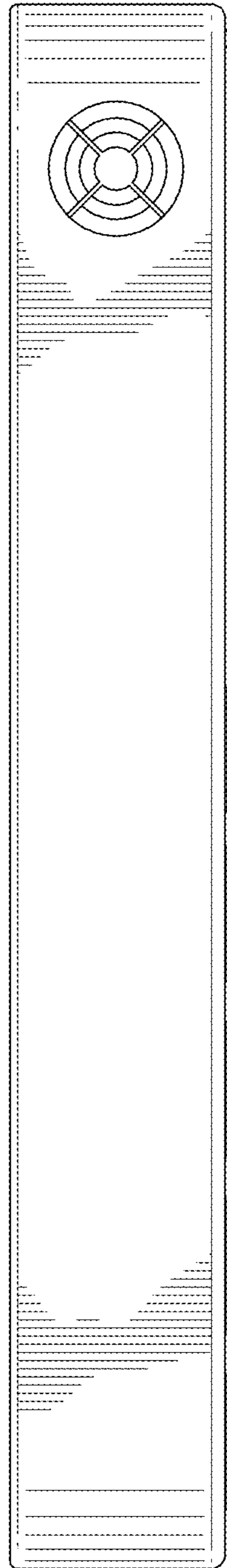


FIG. 4

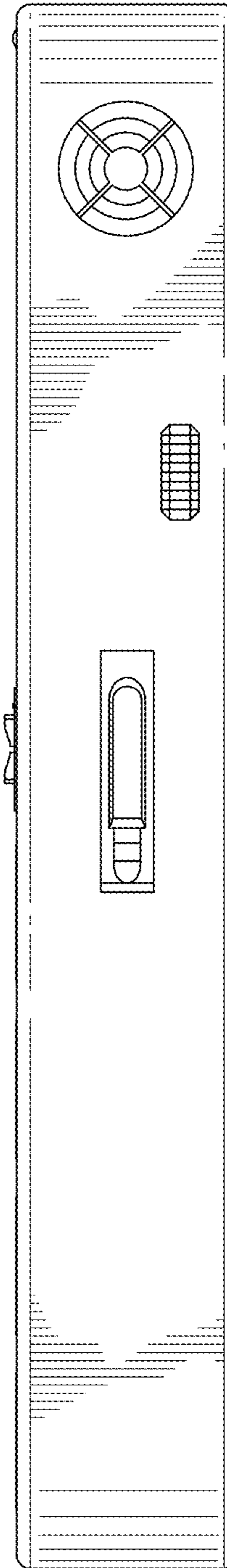


FIG. 5

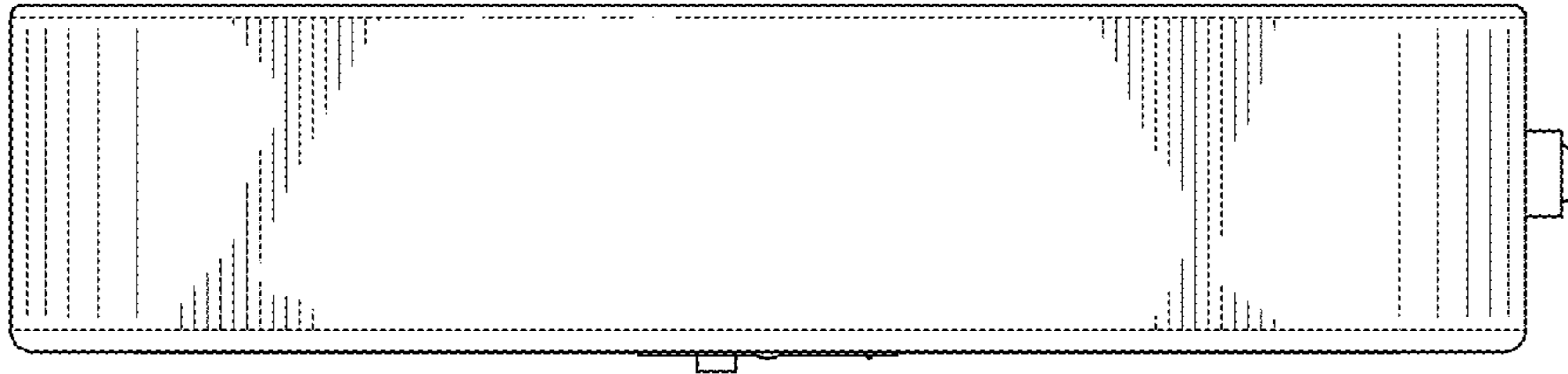


FIG. 6

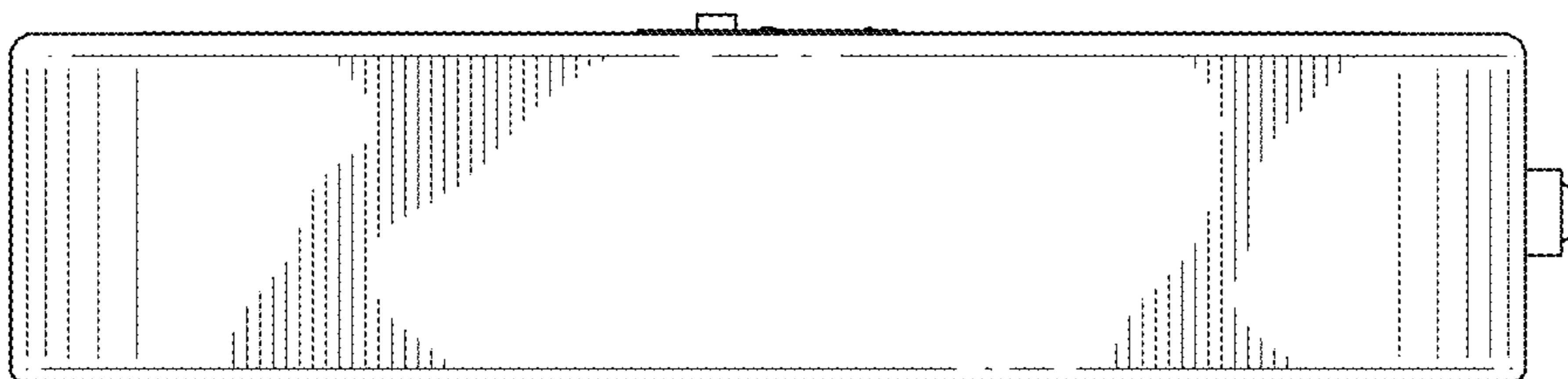


FIG. 7