



US00D911942S

(12) **United States Design Patent**
Park et al.

(10) **Patent No.:** **US D911,942 S**
(45) **Date of Patent:** **** Mar. 2, 2021**

(54) **CHARGER**

(71) Applicant: **Fitbit, Inc.**, San Francisco, CA (US)

(72) Inventors: **Junyong Park**, San Francisco, CA (US); **Irina Igorevna Kozlovskaya**, San Francisco, CA (US)

(73) Assignee: **Fitbit, Inc.**, San Francisco, CA (US)

(**) Term: **15 Years**

(21) Appl. No.: **29/694,690**

(22) Filed: **Jun. 12, 2019**

(51) **LOC (13) Cl.** **13-02**

(52) **U.S. Cl.**
USPC **D13/108**

(58) **Field of Classification Search**
USPC D13/103, 107-110, 118, 119, 146, 147, D13/153, 155, 184, 199, 154; D32/31; D8/356, 358
CPC Y02E 60/12; H02J 7/025; H02J 7/0042; H02J 7/0044; H02J 7/0045; H02J 7/0003; H02J 7/0027; H02J 7/0013; H02J 7/0054; H02J 7/00; H02J 2001/008; H02J 3/32; H02J 3/008; H01F 38/14; H01R 13/6675; H01M 2/1022; H01M 2/1055; H01M 10/44; H01M 10/46; H01M 10/425; B60L 11/182; B60L 11/1809; B60L 11/1861; B60R 16/03

See application file for complete search history.

(56) **References Cited**

U.S. PATENT DOCUMENTS

D297,827 S	9/1988	Lay
D350,545 S	9/1994	Olkola et al.
D417,431 S	12/1999	Okura et al.
D422,556 S	4/2000	Okura et al.
D428,597 S	7/2000	Murata et al.
D442,939 S	5/2001	Goldenburg

D455,713 S	4/2002	Forakis
D471,547 S	3/2003	Ruohonen
D477,823 S	7/2003	Lavello, Sr.
D516,023 S	2/2006	Quinn
D520,448 S	5/2006	Lodato et al.
D529,905 S	10/2006	Richter
D530,713 S	10/2006	Richter
D535,614 S	1/2007	Majanen et al.
D558,193 S	12/2007	Ju
7,311,526 B2	12/2007	Rohrbach et al.
D580,855 S	11/2008	Haspil et al.
D621,347 S	8/2010	Aulwes et al.

(Continued)

OTHER PUBLICATIONS

Amazon.com: Fitbit Versa Charger . . . Date first available of May 30, 2018. Retrieved from the internet at <<https://www.amazon.com/Charger-Replacement-Charging-Adapter-Smartwatch/dp/B07DDJ3DSR/>>, Nov. 18, 2020. 1 page. (Year: 2018).*

(Continued)

Primary Examiner — Christy Nemeth
(74) *Attorney, Agent, or Firm* — Polson Intellectual Property Law, PC; Margaret Polson

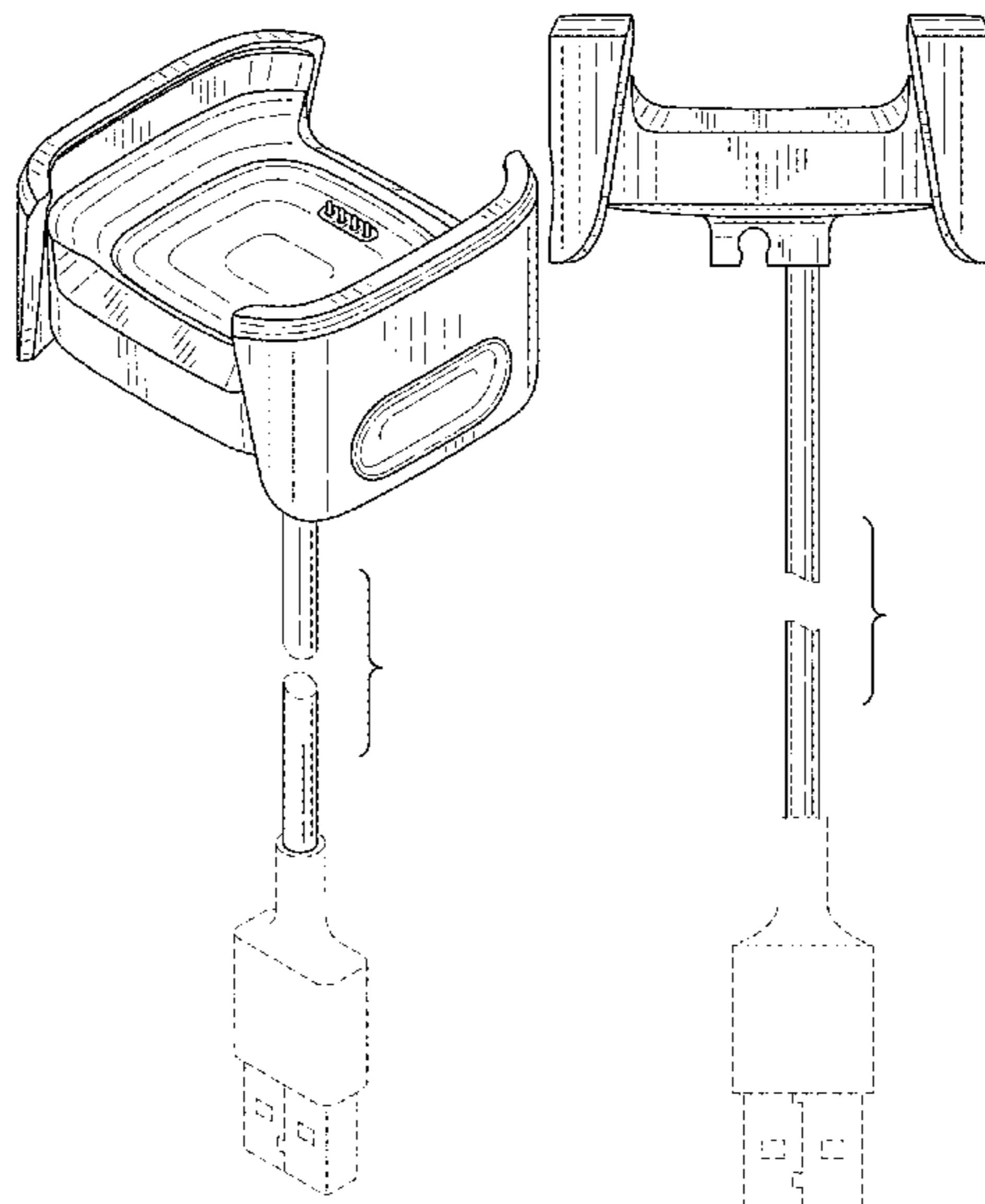
(57) **CLAIM**

The ornamental design for a charger, as shown and described.

DESCRIPTION

FIG. 1 is a top isometric view of a charger of our new design; FIG. 2 is a front elevation view thereof; FIG. 3 is a back elevation view thereof; FIG. 4 is a right side elevation view thereof; FIG. 5 is a left side elevation view thereof; FIG. 6 is a top plan view thereof; and, FIG. 7 is a bottom plan view thereof. The broken lines in the drawings illustrate environmental subject matter that forms no part of the claimed design.

1 Claim, 7 Drawing Sheets



(56)

References Cited

U.S. PATENT DOCUMENTS

D630,582 S	1/2011	Dai et al.	
D635,874 S	4/2011	Tseng et al.	
D637,155 S	5/2011	Jeon et al.	
D665,501 S	8/2012	Shibata et al.	
D673,952 S	1/2013	Toda et al.	
D680,491 S	4/2013	Paschke et al.	
D690,137 S	9/2013	Kikkert et al.	
D690,707 S	10/2013	Minn et al.	
D715,790 S	10/2014	Conomos et al.	
D720,759 S	1/2015	Deng et al.	
D723,459 S	3/2015	Dang et al.	
D725,285 S	3/2015	Wohlstadter et al.	
D727,877 S	4/2015	Seoc	
D733,142 S	6/2015	Solomon et al.	
D740,262 S	10/2015	Hasegawa et al.	
D761,262 S	7/2016	Solomon et al.	
D766,236 S	9/2016	Solomon et al.	
D766,747 S	9/2016	Repp	
D766,908 S	9/2016	Richter	
D770,416 S	11/2016	Tkachuk et al.	
D775,627 S	1/2017	Yang et al.	
D776,656 S	1/2017	Lagerstedt et al.	
D780,743 S	3/2017	Chun	
D784,923 S	4/2017	Song	
D786,200 S	5/2017	Lagerstedt et al.	
D791,696 S	7/2017	Tinius	
D799,203 S	10/2017	Karl, IV et al.	
D800,060 S	10/2017	Solland et al.	
D816,046 S	4/2018	Kiong et al.	
D825,546 S	8/2018	Fan	
D829,652 S	10/2018	King et al.	
D832,306 S	10/2018	Liao	
D833,971 S	11/2018	Yun	
D845,960 S	4/2019	Yao et al.	
D847,801 S	5/2019	Wengreen	
D854,006 S	7/2019	Wang et al.	
D877,069 S *	3/2020	Kern	D13/108
D878,292 S *	3/2020	Wu	D13/110
D891,366 S *	7/2020	Xie	D13/108
D892,048 S *	8/2020	Zhuang	D13/110
D893,420 S *	8/2020	Xiao	D13/108
D898,666 S *	10/2020	Alves	D13/108
2016/0380446 A1	12/2016	Loewen	

OTHER PUBLICATIONS

Fitbit Ace charging cable—<https://www.fitbit.com/shop/accessories/ace-charging-cable>. On sale 2018. Website accessed Mar. 27, 2019.

Fitbit Ace 2 charging cable—<https://www.fitbit.com/shop/accessories/inspire-ace2-charging-cable>. On sale Mar. 2019. Website accessed Mar. 27, 2019.

Fitbit Alta charging cable—<https://www.fitbit.com/shop/accessories/alta-charging-cable>. On sale Feb. 2016. Website accessed Mar. 27, 2019.

Fitbit Alta HR charging cable—<https://www.fitbit.com/shop/accessories/altahr-charging-cable>. On sale Mar. 2017. Website accessed Mar. 27, 2019.

Fitbit Blaze charging cable—<https://www.fitbit.com/shop/accessories/blaze-charging-cable>. On sale Jan. 2016. Website accessed Mar. 27, 2019.

Fitbit Charge charging cable—<https://www.fitbit.com/shop/accessories/charge-charging-cable>. On sale Nov. 2014. Website accessed Mar. 27, 2019.

Fitbit Charge2 charging cable—<https://www.fitbit.com/shop/accessories/charge2-charging-cable>. On sale 2016. Website accessed Mar. 27, 2019.

Fitbit Charge3 charging cable—<https://www.fitbit.com/shop/accessories/charge3-charging-cable>. On sale 2018. Website accessed Mar. 27, 2019.

Fitbit ChargeHR charging cable—<https://www.fitbit.com/shop/accessories/chargehr-charging-cable>. On sale Jan. 2015. Website accessed Mar. 27, 2019.

Fitbit Flex charging cable—<https://www.fitbit.com/shop/accessories/flex-charging-cable>. On sale May 2013. Website accessed Mar. 27, 2019.

Fitbit Flex 2 charging cable—<https://www.fitbit.com/shop/accessories/flex2-charging-cable>. On sale Oct. 2016. Website accessed Mar. 27, 2019.

Fitbit Ionic charging cable—<https://www.fitbit.com/shop/accessories/ionic-charging-cable>. On sale Sep. 2017. Website accessed Mar. 27, 2019.

Fitbit One charging cable—<https://www.fitbit.com/shop/accessories/one-charging-cable>. On sale Sep. 2012. Website accessed Mar. 27, 2019.

Fitbit Surge charging cable—<https://www.fitbit.com/shop/accessories/surge-charging-cable>. On sale Oct. 2014. Website accessed Mar. 27, 2019.

Fitbit Versa charging cable—<https://www.fitbit.com/shop/accessories/versa-charging-cable>. On sale Apr. 2018. Website accessed Mar. 27, 2019.

Design U.S. Appl. No. 29/656,560, filed Jul. 13, 2018.

Design U.S. Appl. No. 29/663,874, filed Sep. 19, 2018.

Design U.S. Appl. No. 29/627,003, filed Nov. 21, 2017.

Design U.S. Appl. No. 29/630,648, filed Dec. 21, 2017.

Design U.S. Appl. No. 29/630,650, filed Dec. 21, 2017.

Design U.S. Appl. No. 29/683,052, filed Mar. 11, 2019.

* cited by examiner

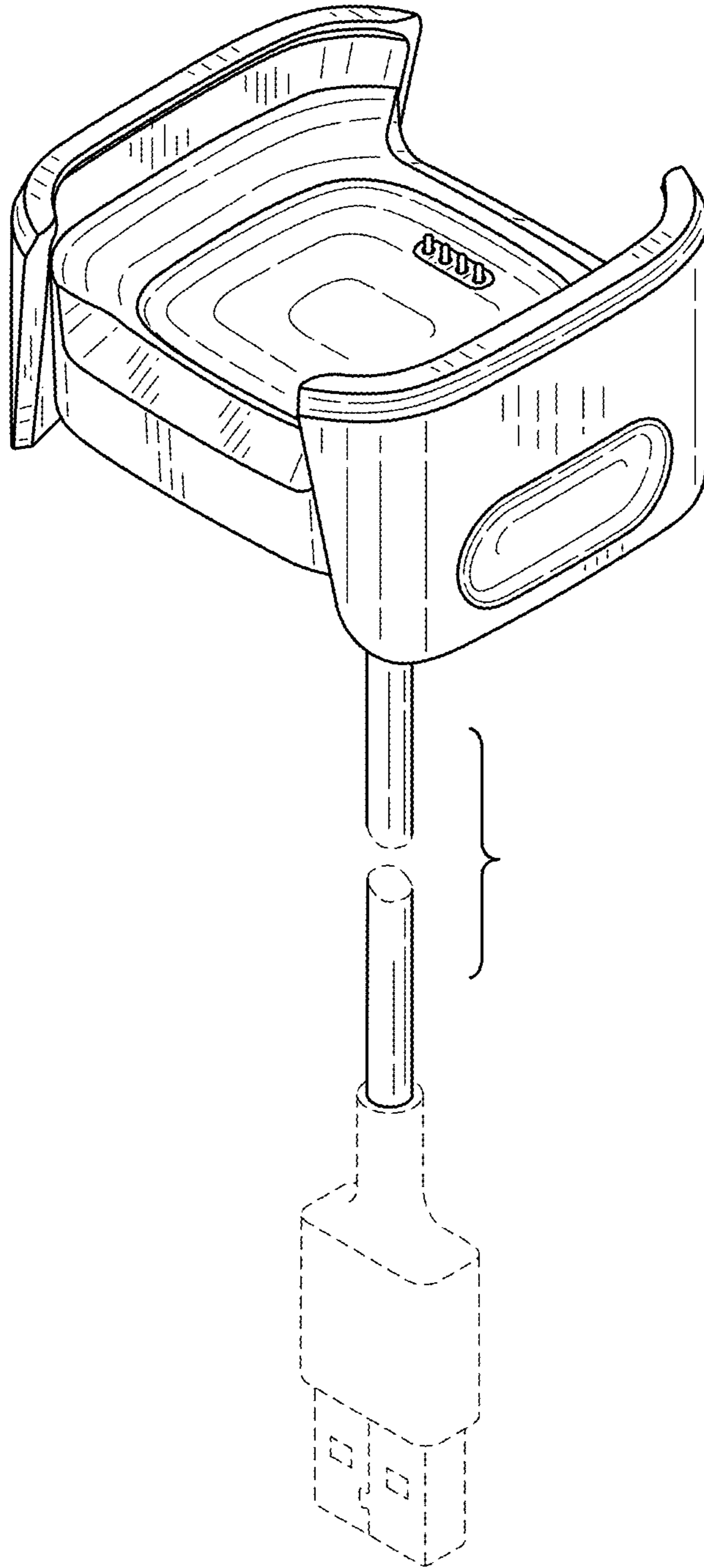


FIG. 1

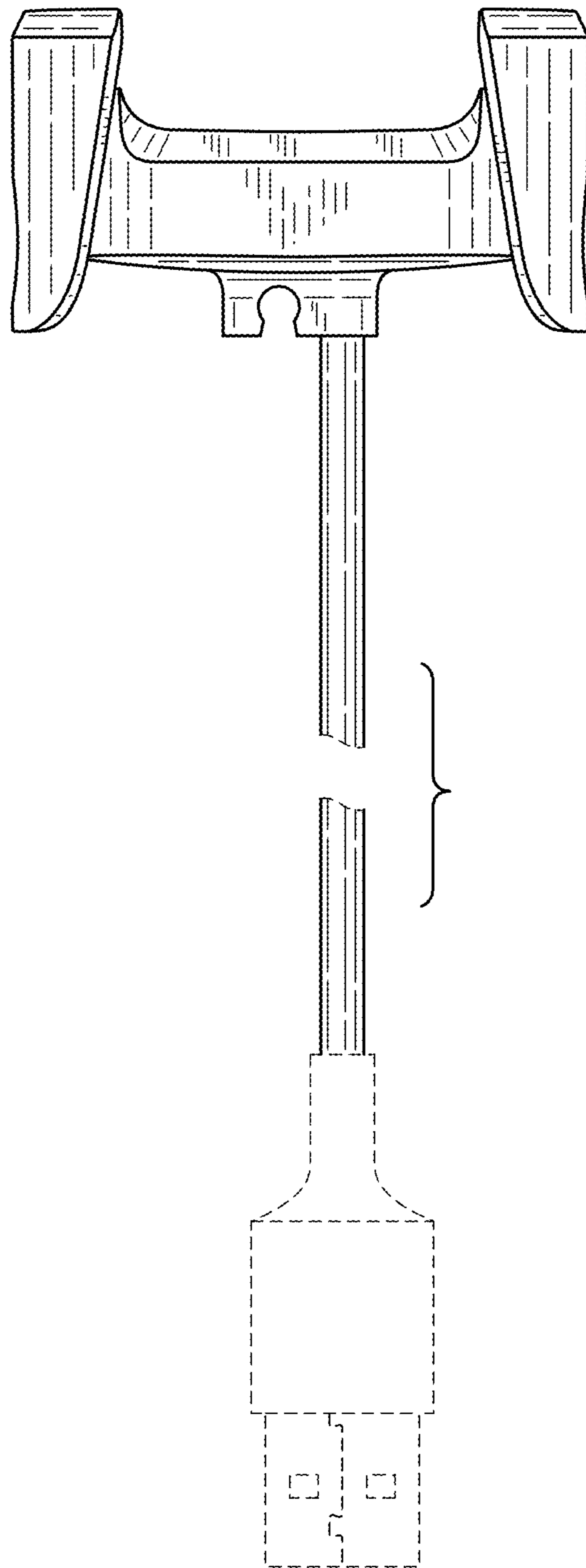


FIG.2

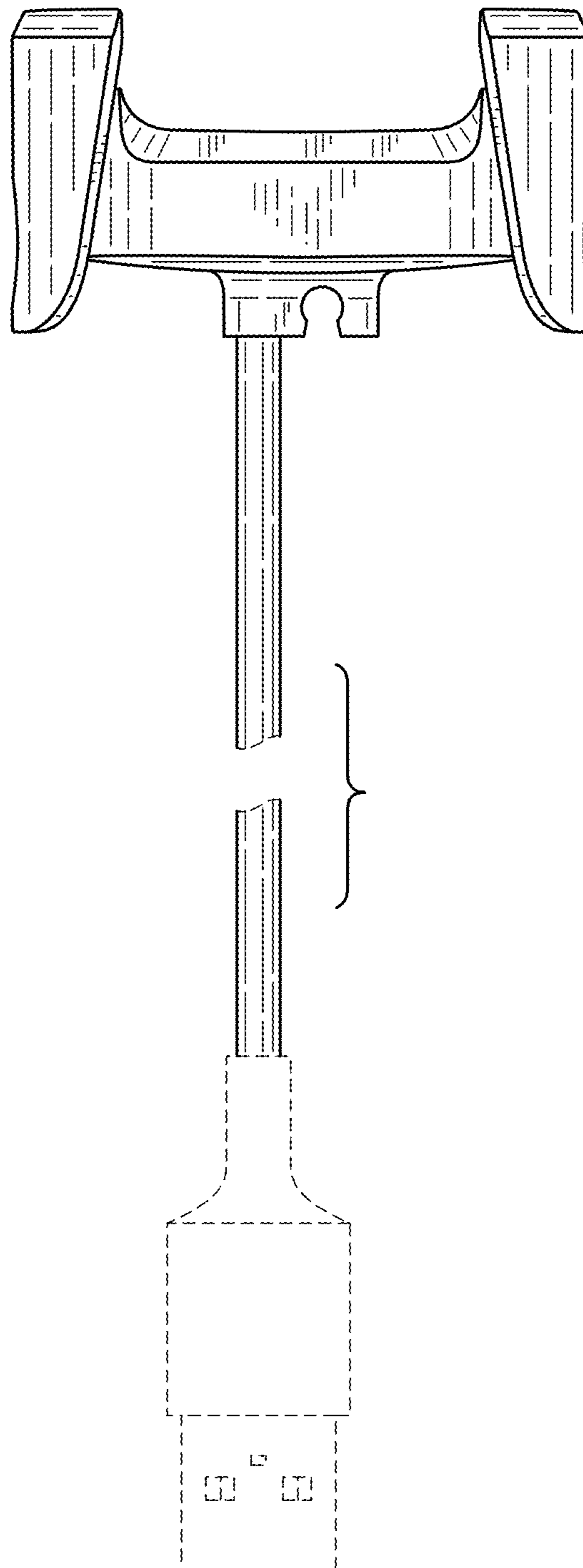


FIG.3

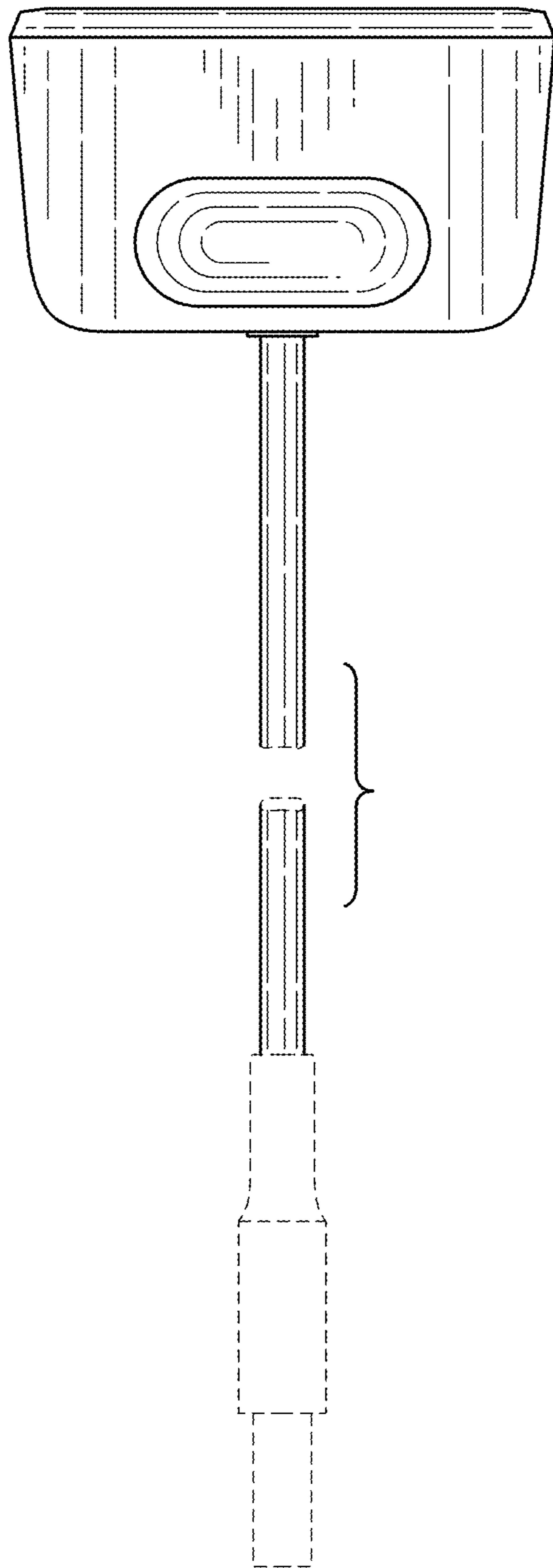


FIG.4

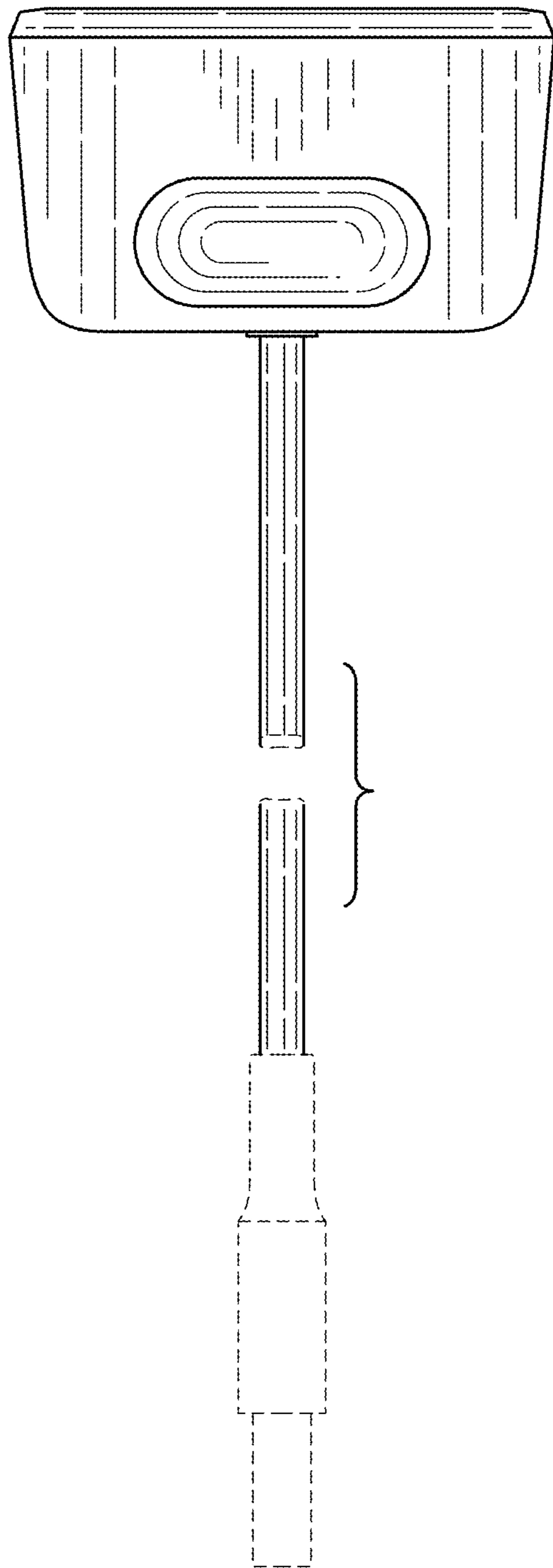


FIG.5

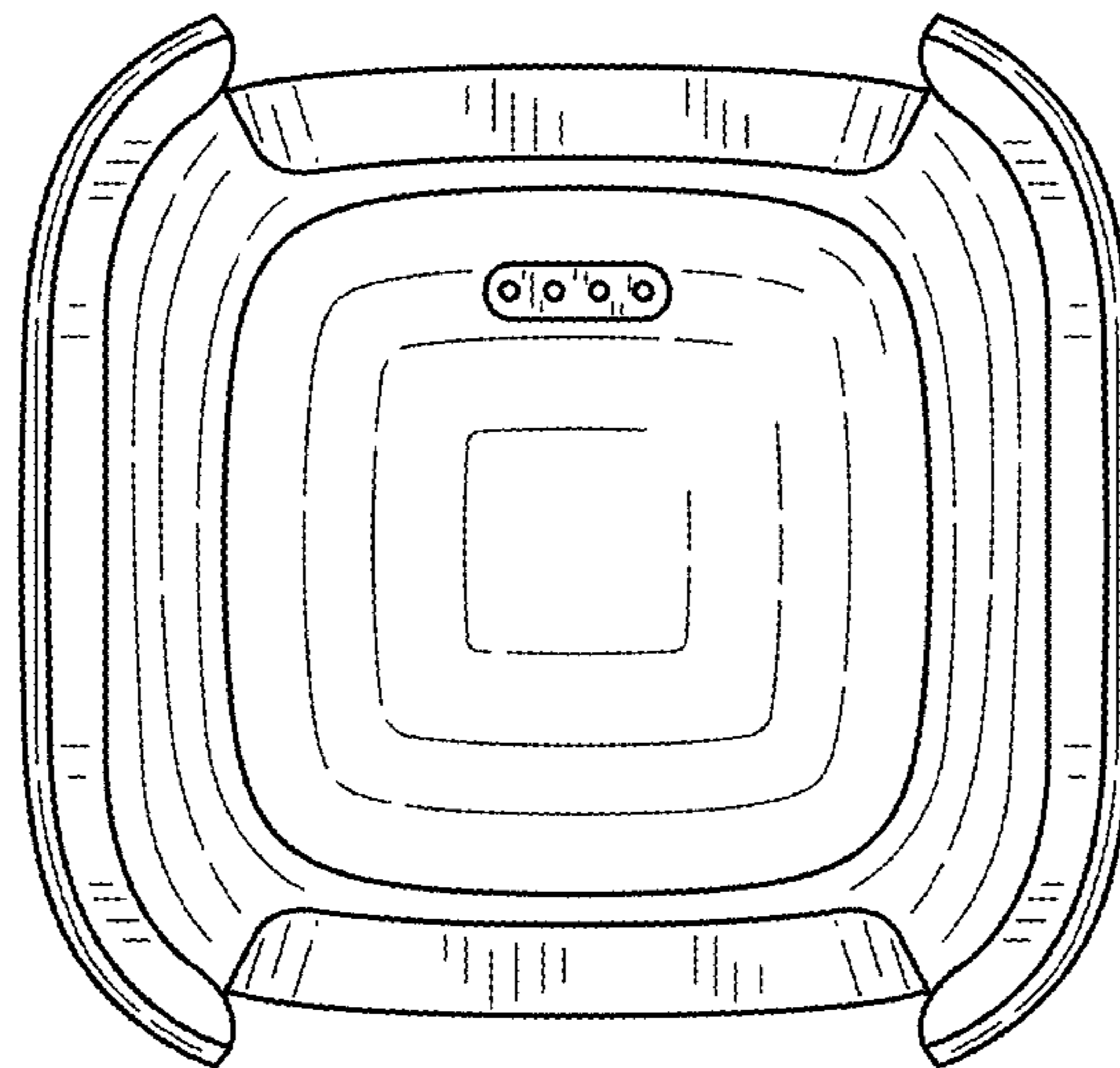


FIG. 6

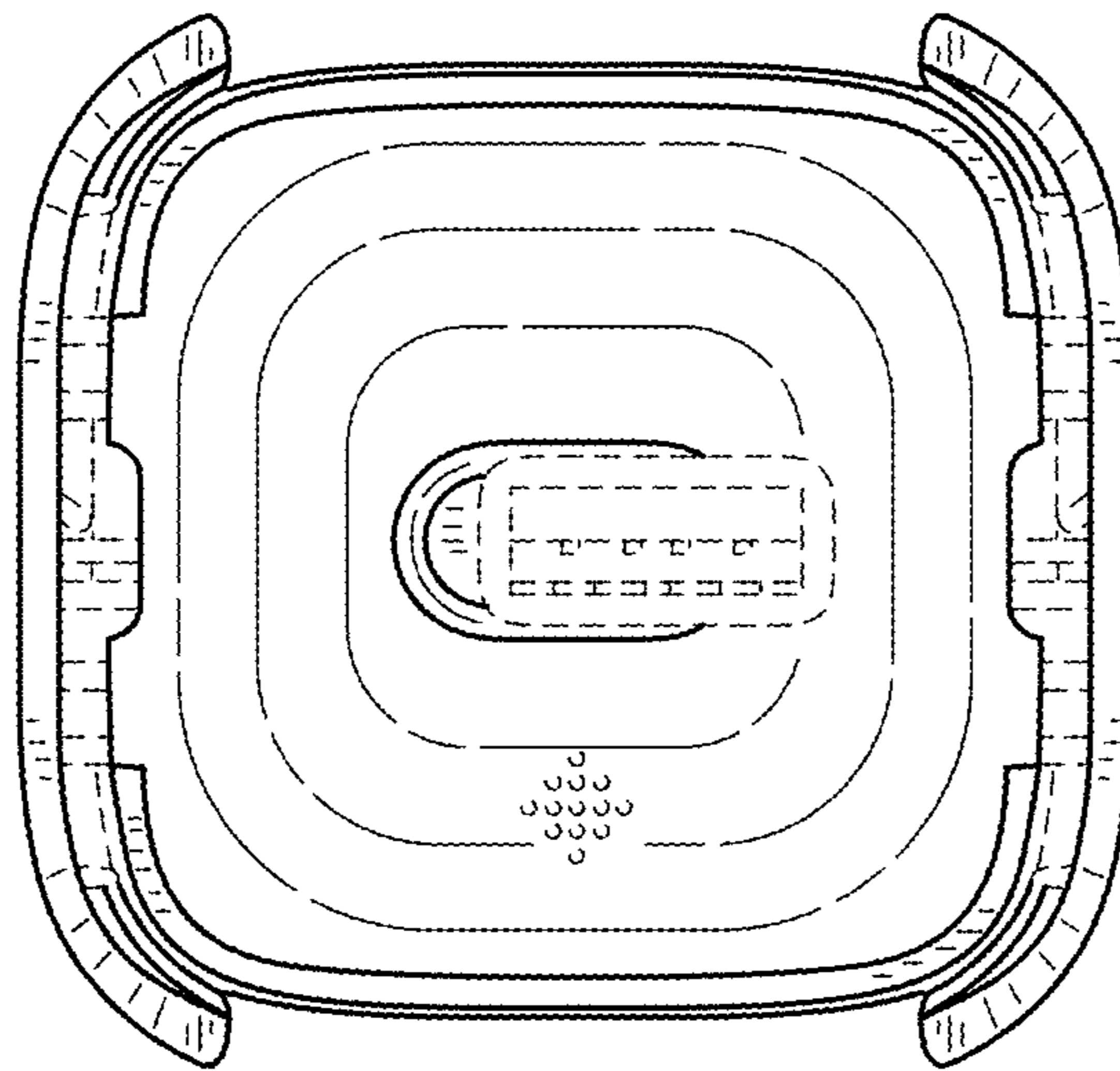


FIG.7