



US00D911940S

(12) **United States Design Patent**
Roberts

(10) **Patent No.:** **US D911,940 S**

(45) **Date of Patent:** **** Mar. 2, 2021**

(54) **INDUCTIVE CHARGER**

(71) Applicant: **James Roberts**, St Martin (JE)

(72) Inventor: **James Roberts**, St Martin (JE)

(73) Assignee: **Flashbay Electronics Hong Kong Limited**, Hong Kong (HK)

(**) Term: **15 Years**

(21) Appl. No.: **29/663,647**

(22) Filed: **Sep. 18, 2018**

(51) **LOC (13) Cl.** **13-02**

(52) **U.S. Cl.**
USPC **D13/108**

(58) **Field of Classification Search**
USPC D13/103, 107-110, 118-119, 184, 199;
D14/251, 253, 432, 434
CPC H02J 7/0026; H02J 7/0042; H02J 7/0044;
H02J 7/0045; H02J 7/0013; H02J 7/0003;
H02J 50/00; H02J 50/10; H02J 50/12;
H02J 50/80

See application file for complete search history.

(56) **References Cited**

U.S. PATENT DOCUMENTS

D639,810 S	*	6/2011	Hwang	D14/434
D650,783 S	*	12/2011	Ausfeld	D14/434
D858,530 S	*	9/2019	Liao	D14/434
D871,332 S	*	12/2019	Liao	D13/108
D875,677 S	*	2/2020	Shi	D13/108
D880,418 S	*	4/2020	Zhang	D13/108
D883,924 S	*	5/2020	Chen	D13/108

D887,348 S	*	6/2020	Zhang	D13/108
D887,973 S	*	6/2020	Chen	D13/108
D892,046 S	*	8/2020	Peng	D13/108
D892,733 S	*	8/2020	Koshel	D13/108
D896,174 S	*	9/2020	Li	D13/108
D897,953 S	*	10/2020	Chen	D13/108

* cited by examiner

Primary Examiner — Rosemary K Tarcza

(57) **CLAIM**

The ornamental design for an inductive charger, as shown and described.

DESCRIPTION

FIG. 1 is a rear view of the inductive charger.
 FIG. 2 is a left side view of the inductive charger, the right side being a mirror image thereof.
 FIG. 3 is a front view of the inductive charger.
 FIG. 4 is a bottom view of the inductive charger.
 FIG. 5 is a top view of the inductive charger.
 FIG. 6 is a top, front, left perspective of the inductive charger.
 FIG. 7 is a right side view of the inductive charger, shown in a vertical standing position, the left side view of the vertical standing position being a mirror image thereof.
 FIG. 8 is a top, right perspective view of the inductive charger, shown in a vertical standing position.
 FIG. 9 is a rear view, of the inductive charger, shown in a horizontal standing position.
 FIG. 10 is a top, rear perspective view of the inductive charger, shown in a horizontal standing position; and,
 FIG. 11 is a top, right exploded view of the inductive charger, shown in a vertical standing position.

1 Claim, 3 Drawing Sheets

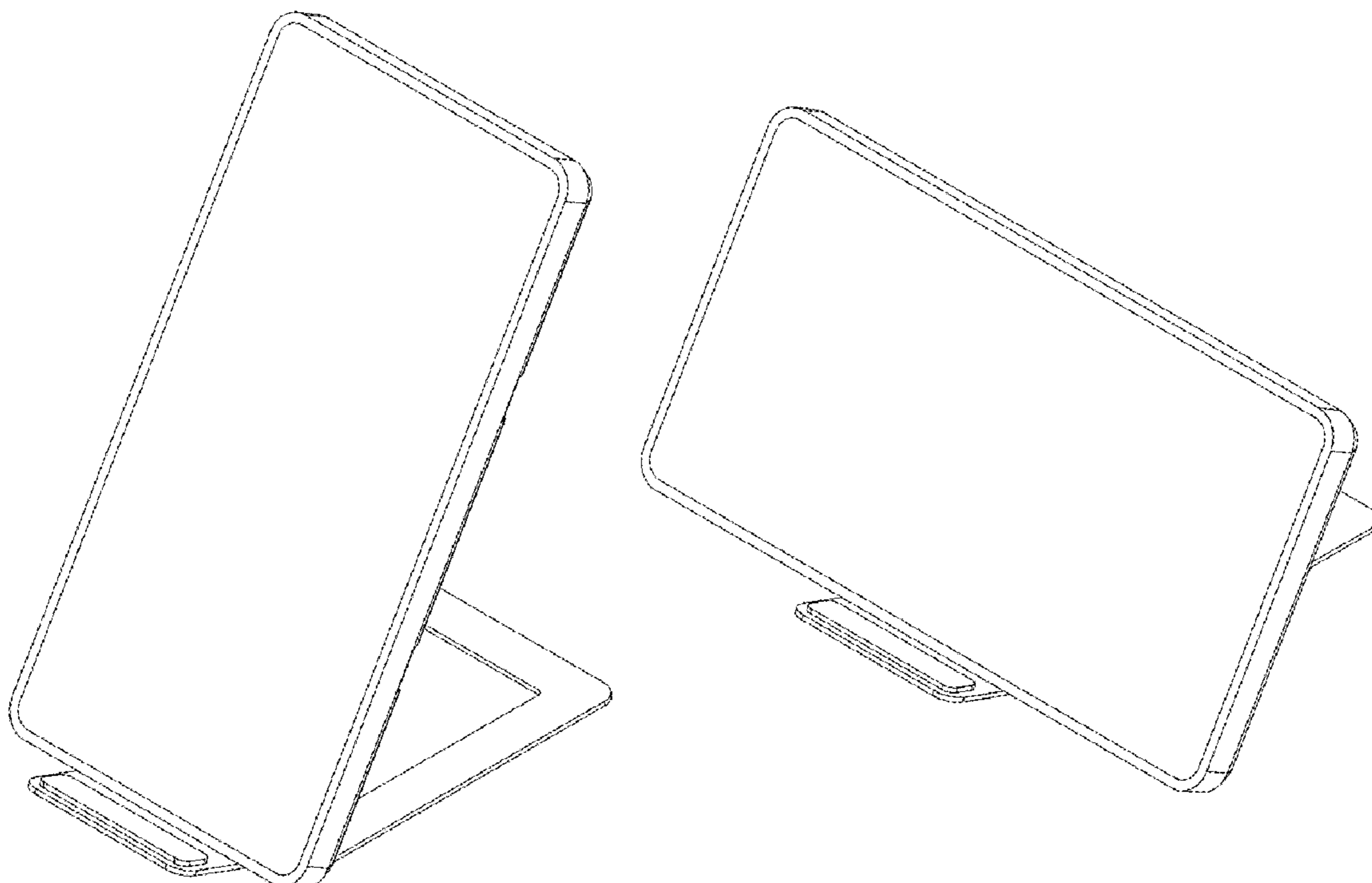


FIG.1

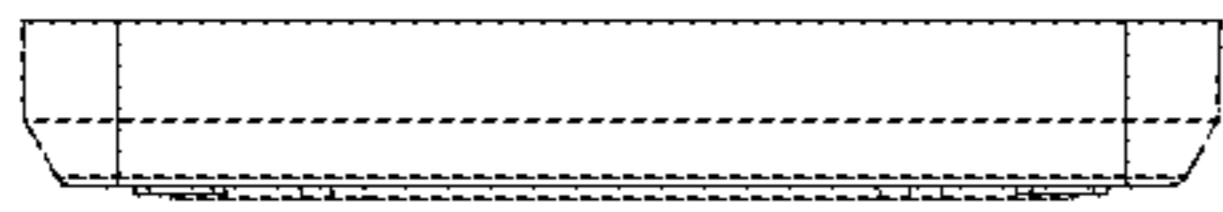


FIG.2

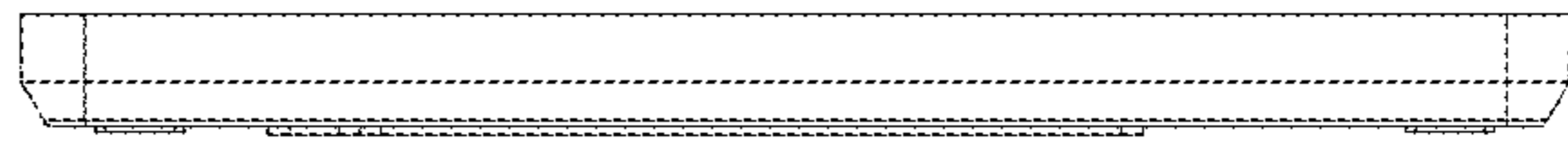


FIG.3

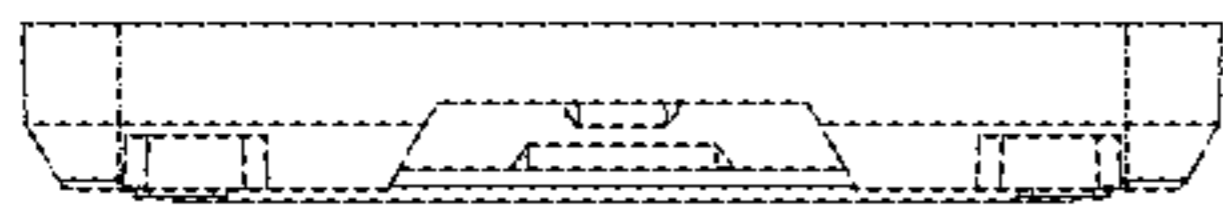


FIG.4

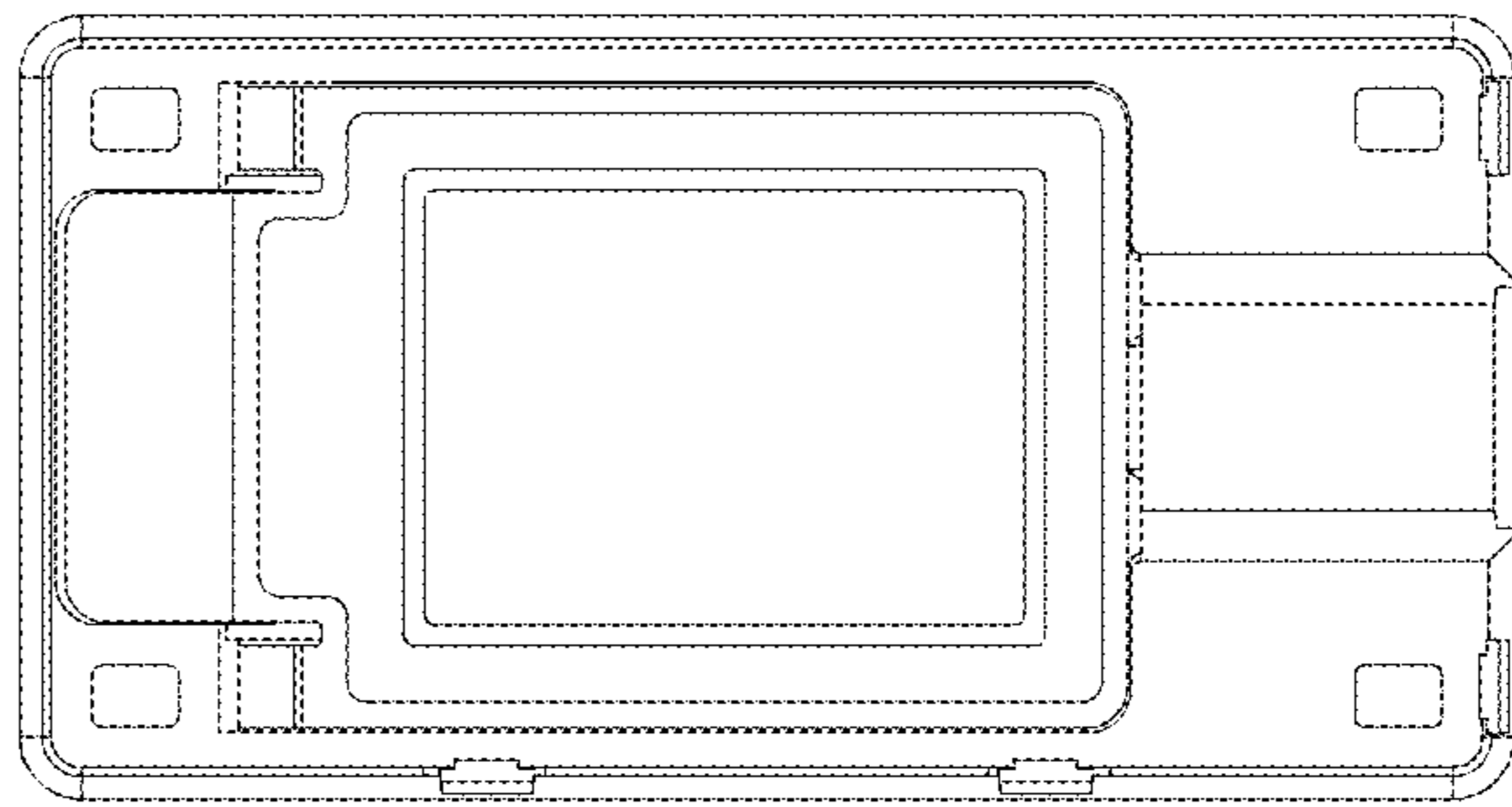


FIG.5

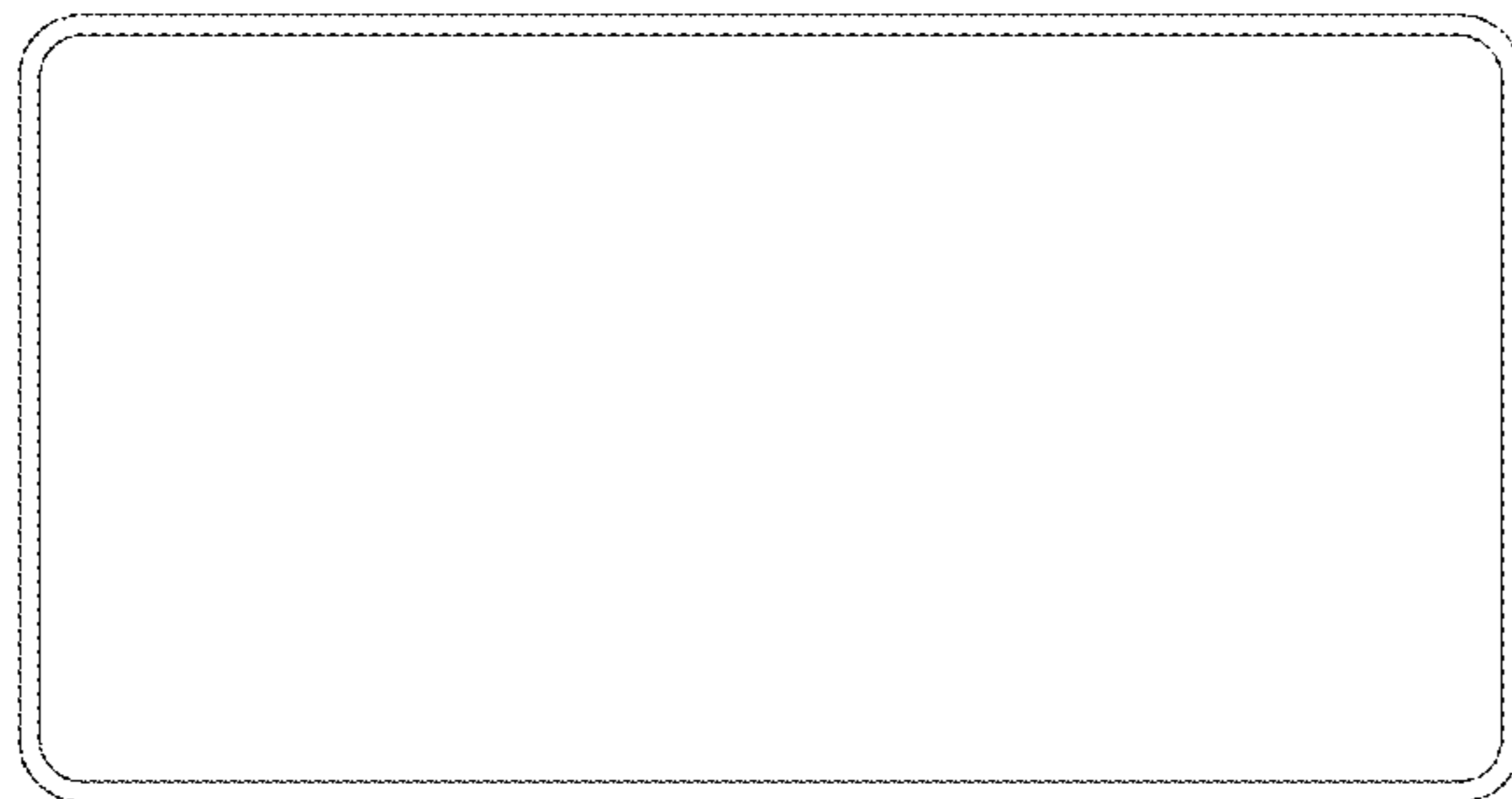


FIG.6

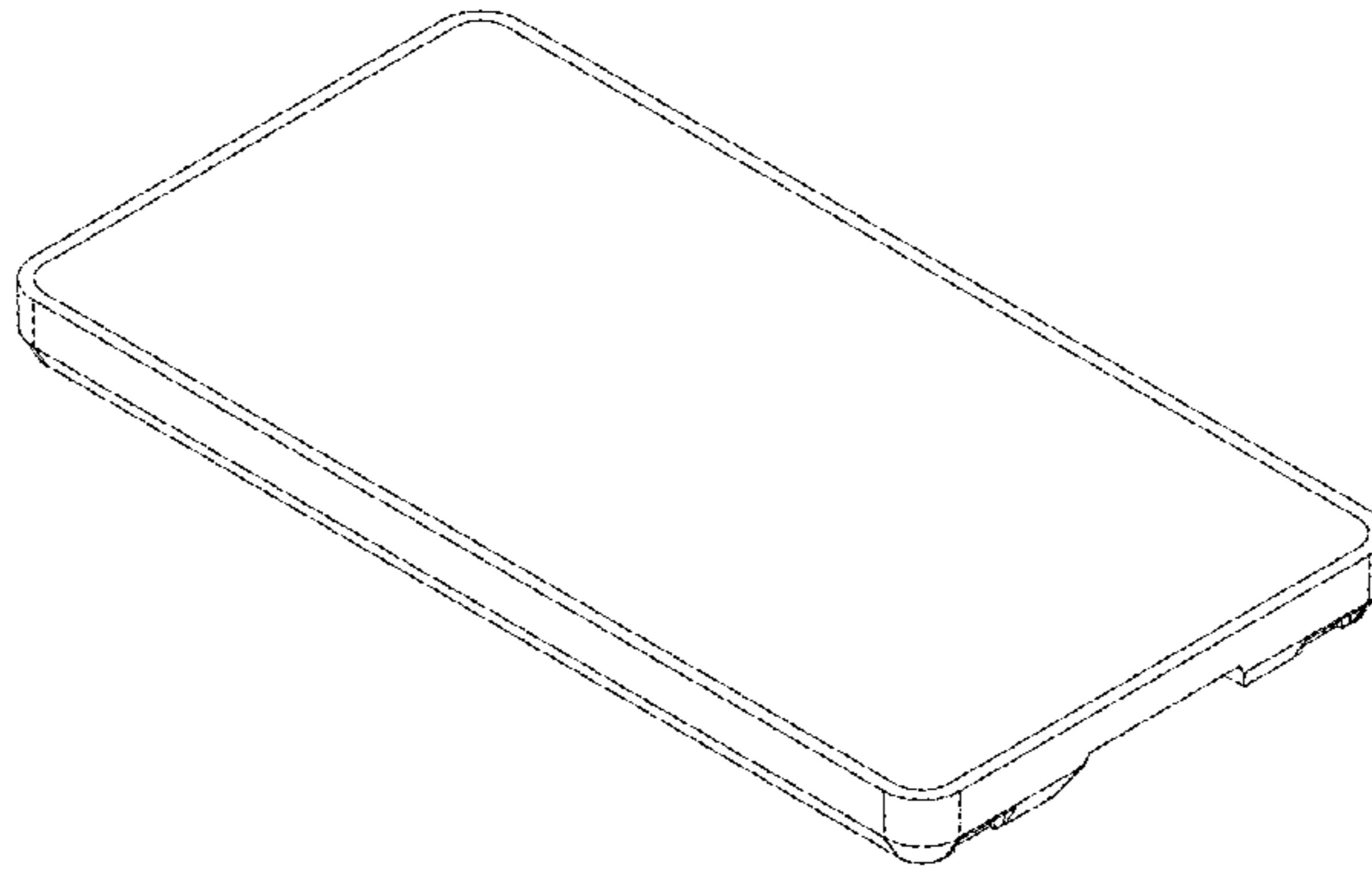


FIG.7

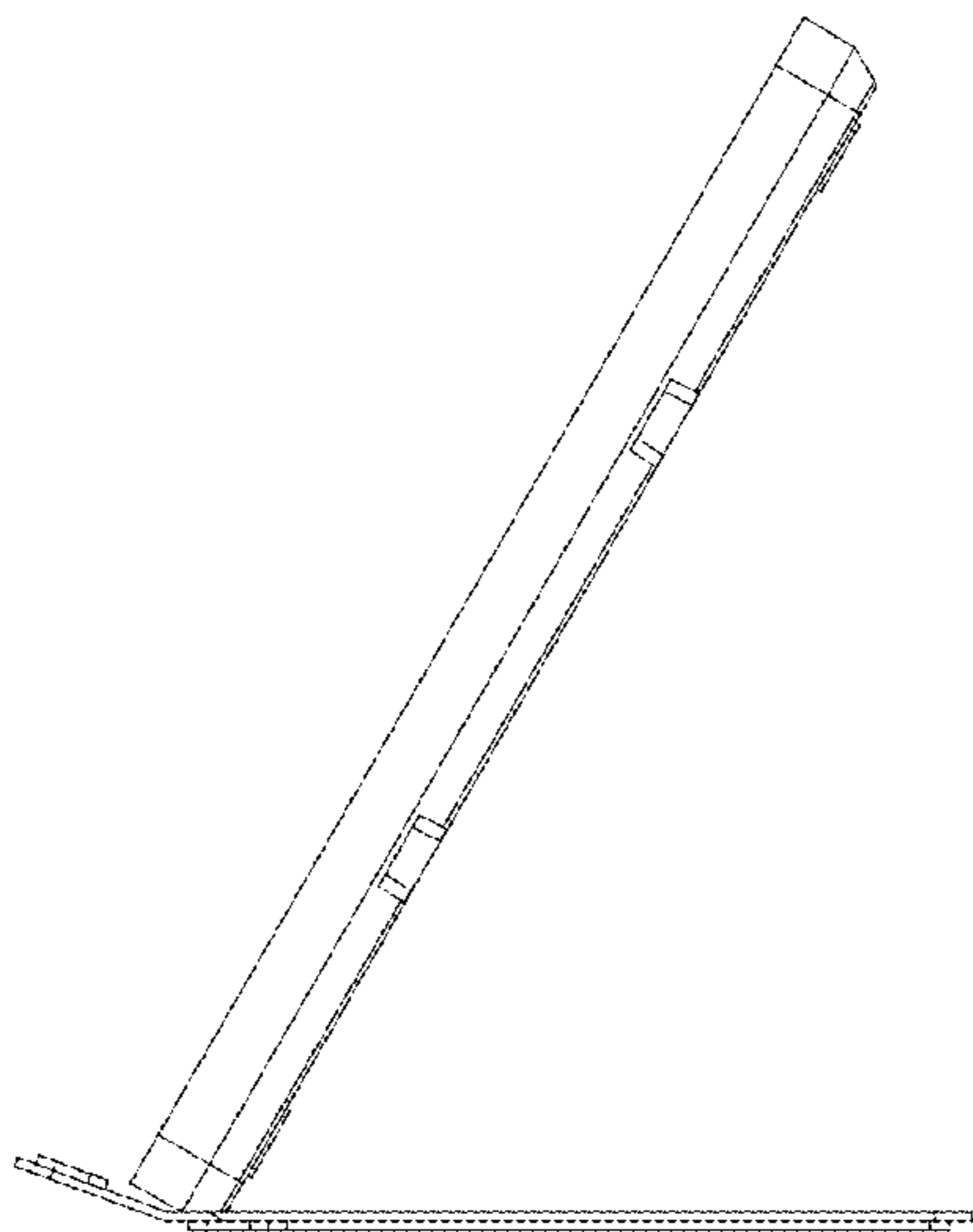


FIG.8

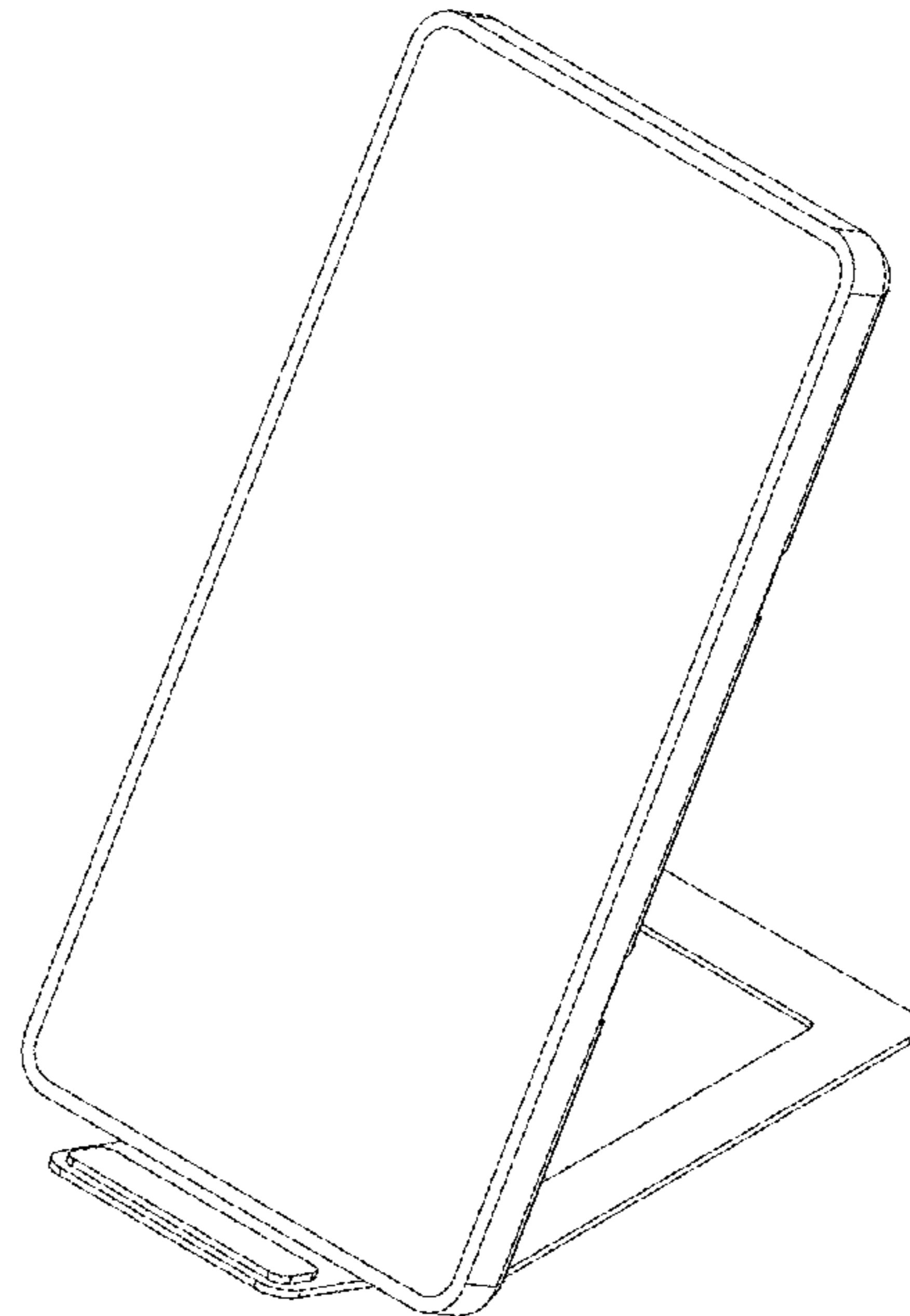


FIG.9

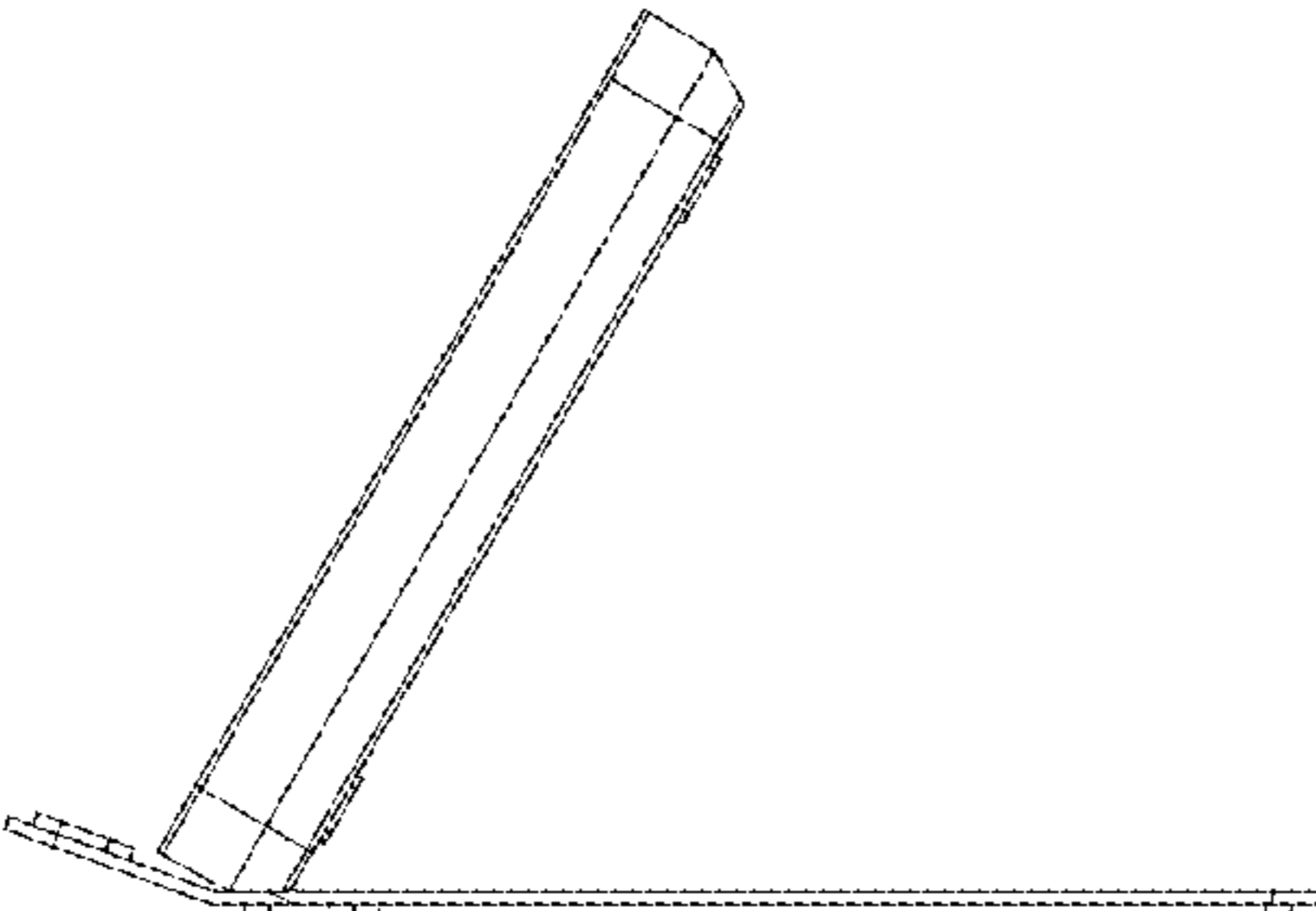


FIG.10

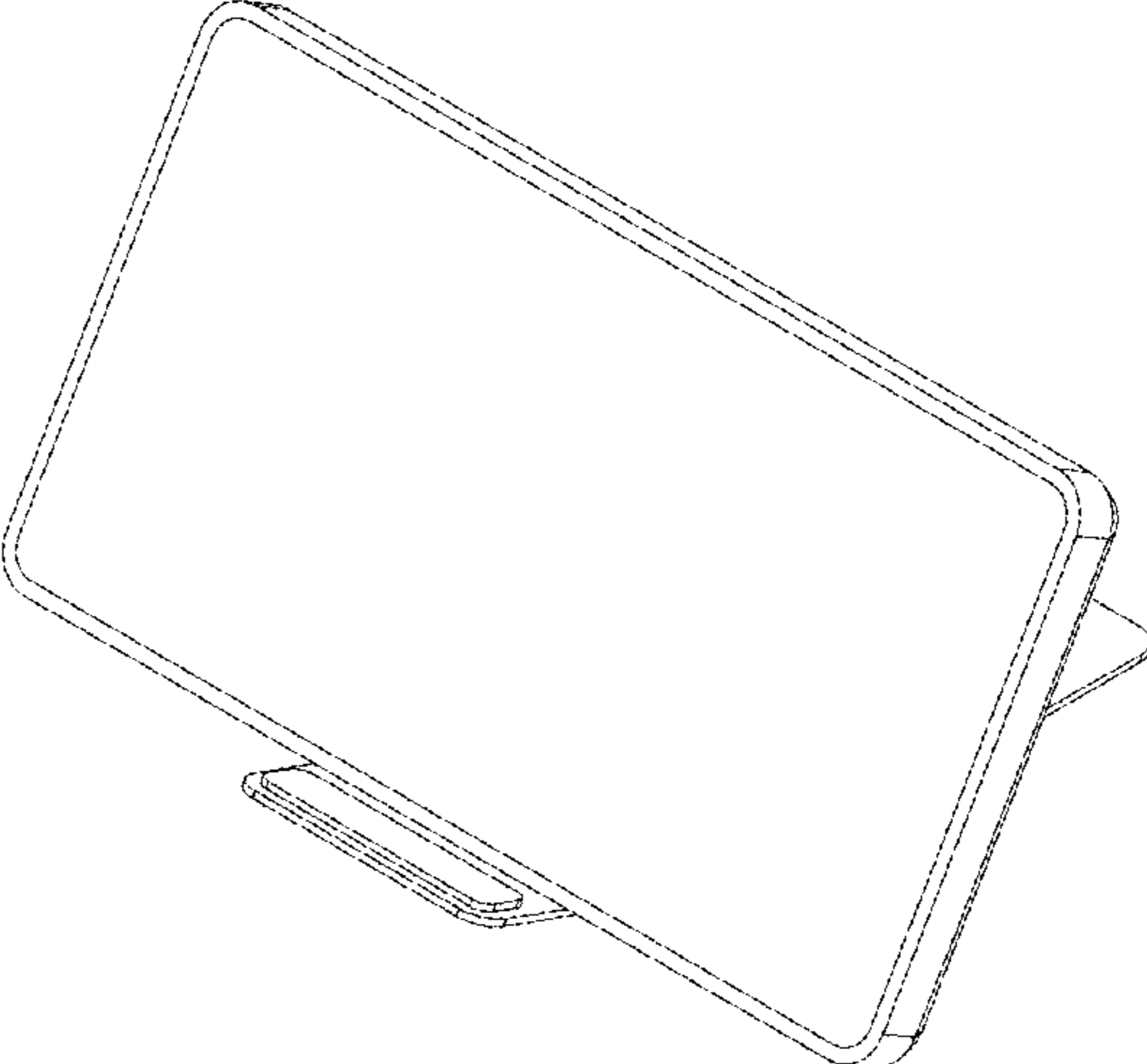


FIG.11

