



US00D911939S

(12) **United States Design Patent** (10) **Patent No.:** **US D911,939 S**
Roberts (45) **Date of Patent:** **** Mar. 2, 2021**

(54) **PORTABLE POWER BANK**
(71) Applicant: **James Roberts**, St Martin (JE)
(72) Inventor: **James Roberts**, St Martin (JE)
(73) Assignee: **Flashbay Electronics Hong Kong Limited**, Hong Kong (HK)
(**) Term: **15 Years**
(21) Appl. No.: **29/614,075**
(22) Filed: **Aug. 16, 2017**
(51) **LOC (13) Cl.** **13-02**
(52) **U.S. Cl.**
USPC **D13/108**; D13/103
(58) **Field of Classification Search**
USPC D13/102-106, 110, 118, 119, 184, 199,
D13/107, 108; D14/250
CPC Y02E 60/12; Y02E 60/122; Y02E 60/124;
Y02E 60/50; H01M 2/02; H01M 2/022;
H01M 2/0202; H01M 2/0207; H01M
2/0212; H01M 2/1061; H01M 2/1022;
H01M 2/1055; H01M 2/1066; H01M
2/105; H01M 2/204; H01M 10/4257;
H01M 10/0436; H01M 10/48; H02J 7/00;
H02J 7/0003; H02J 7/0011; H02J 7/0013;
H02J 7/0054; H02J 7/0055; H02J 7/0057
See application file for complete search history.

(56) **References Cited**
U.S. PATENT DOCUMENTS
D628,535 S * 12/2010 Cheng D13/108
D678,188 S * 3/2013 Sasada D13/103
D715,219 S * 10/2014 Ceyress D13/103
D720,687 S * 1/2015 Hasbrook D13/103
D722,961 S * 2/2015 Lin D13/103
D742,311 S * 11/2015 Miller D13/103
D742,312 S * 11/2015 Gupta D13/103
D745,456 S * 12/2015 Fung D13/108

D764,404 S * 8/2016 Lau D13/103
D772,807 S * 11/2016 Chen D13/103
D776,050 S * 1/2017 Awad D13/102
D801,269 S * 10/2017 Cho D13/119
D824,329 S * 7/2018 Conocenti D13/108
D888,658 S * 6/2020 Urasini D13/107
2014/0110206 A1 * 4/2014 Wang H02J 7/00
191/12 R
2015/0256008 A1 * 9/2015 Miller H02J 7/0042
320/107
2016/0049818 A1 * 2/2016 Yao G06K 19/06037
320/103
2017/0224028 A1 * 8/2017 Kim H02J 7/0045

OTHER PUBLICATIONS

Amazon.com: Kolumb Ultra-Slim Ultra-Portable Ultra-Safe 2500mAh
Wallet Pocket Power Card Power Bank. Published Jul. 2, 2015.
Retrieved from the internet at <<https://www.amazon.com/Ultra-Slim-Ultra-Portable-Ultra-Safe-External-Lightning/dp/B00Z24G06M?th=1>>, Dec. 31, 2018. 1 page. (Year: 2015).*

* cited by examiner

Primary Examiner — Christy Nemeth

(57) **CLAIM**

The ornamental design for a portable power bank, as shown
and described.

DESCRIPTION

FIG. 1 is a right side view of the portable power bank.
FIG. 2 is a front view of the portable power bank.
FIG. 3 is a left side view of the portable power bank.
FIG. 4 is a rear view of the portable power bank.
FIG. 5 is a top view of the portable power bank.
FIG. 6 is a bottom view of the portable power bank.
FIG. 7 is a front right perspective view of the portable power
bank; and,
FIG. 8 is a rear right perspective view of the portable power
bank.

1 Claim, 3 Drawing Sheets

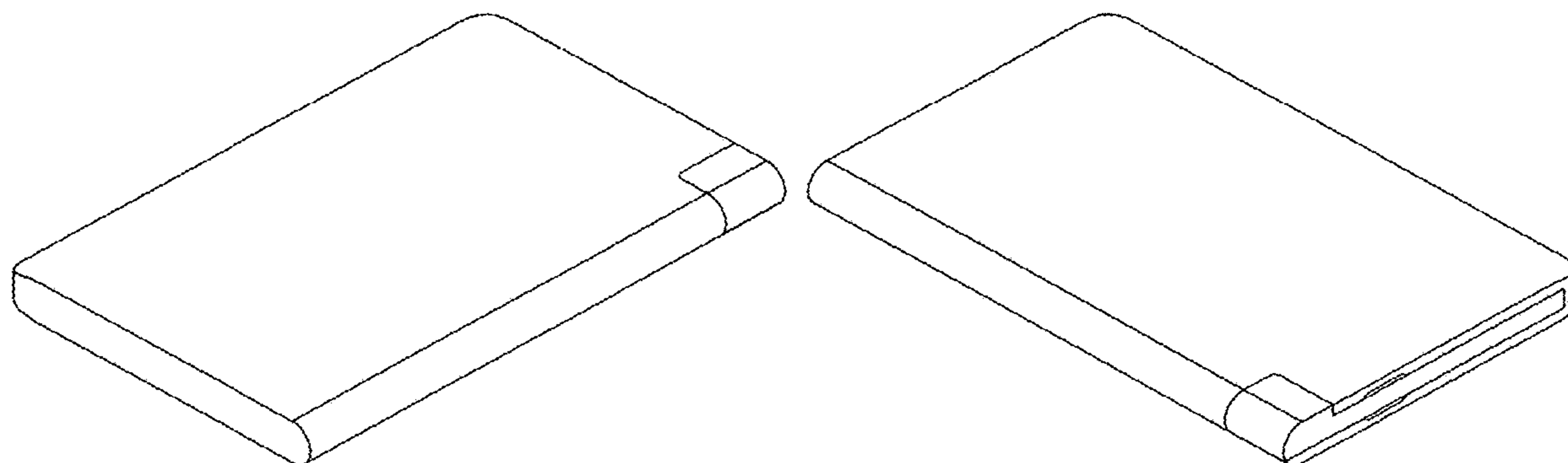


FIG.1



FIG.2



FIG.3



FIG.4



FIG.5

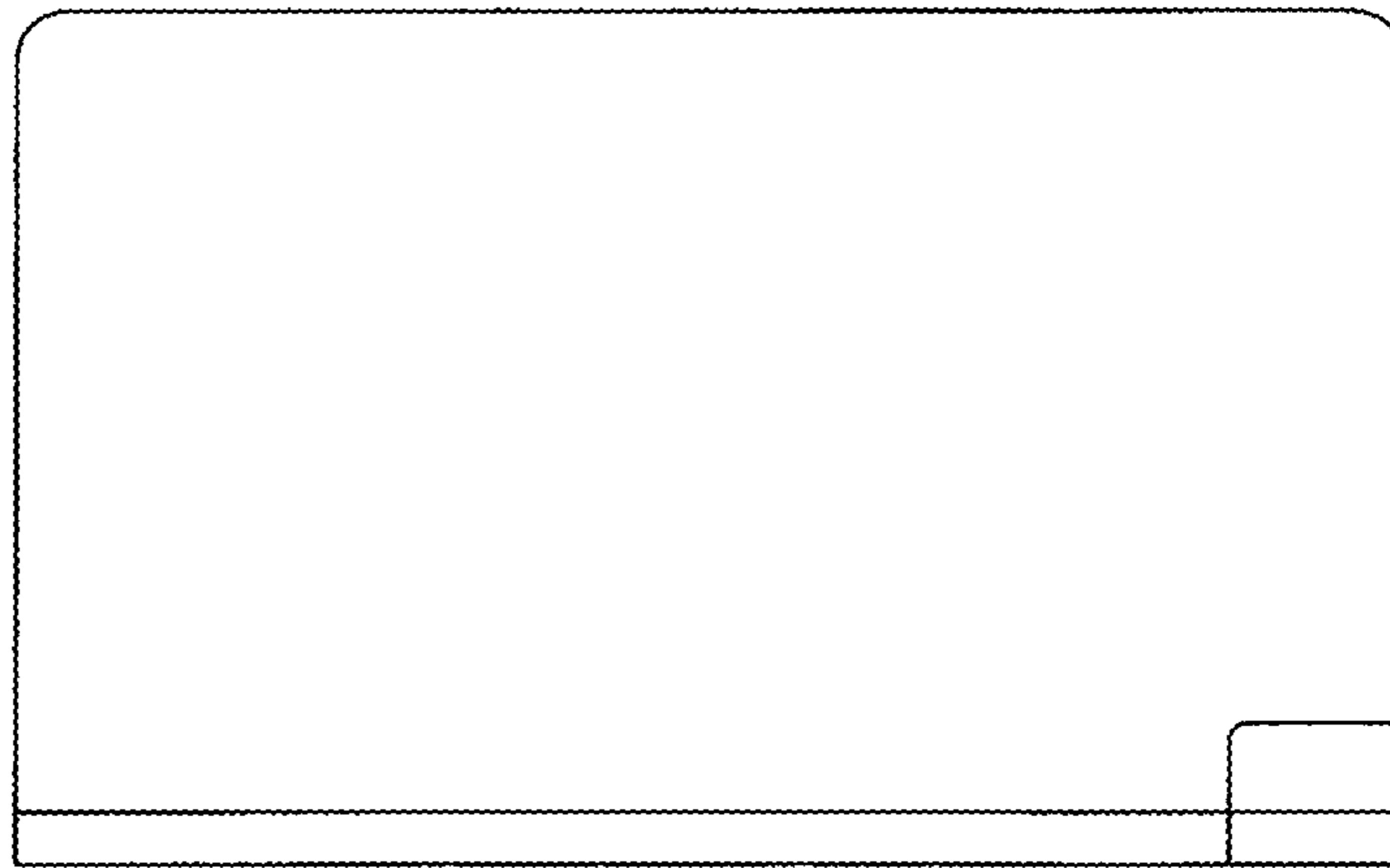


FIG.6

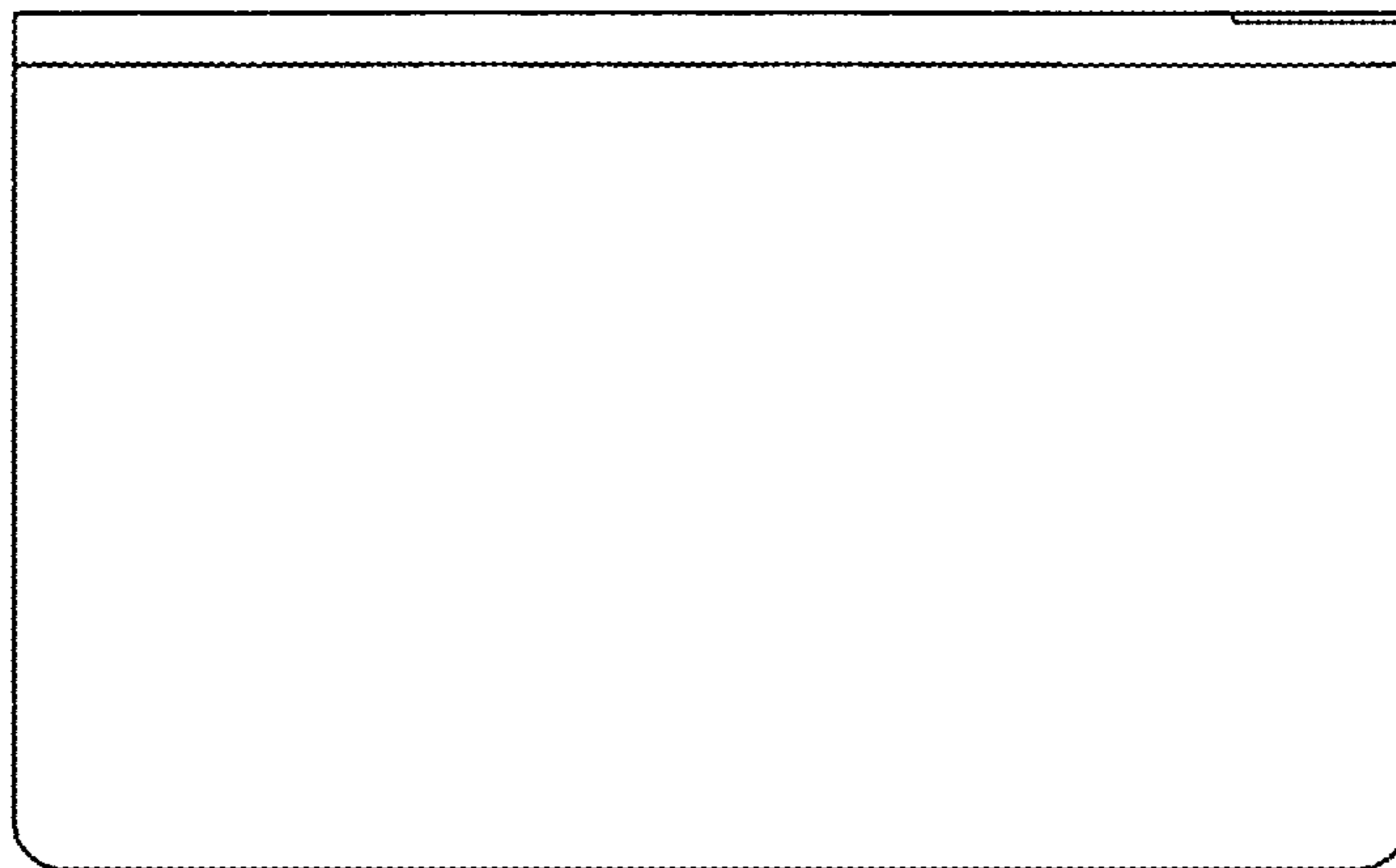


FIG.7

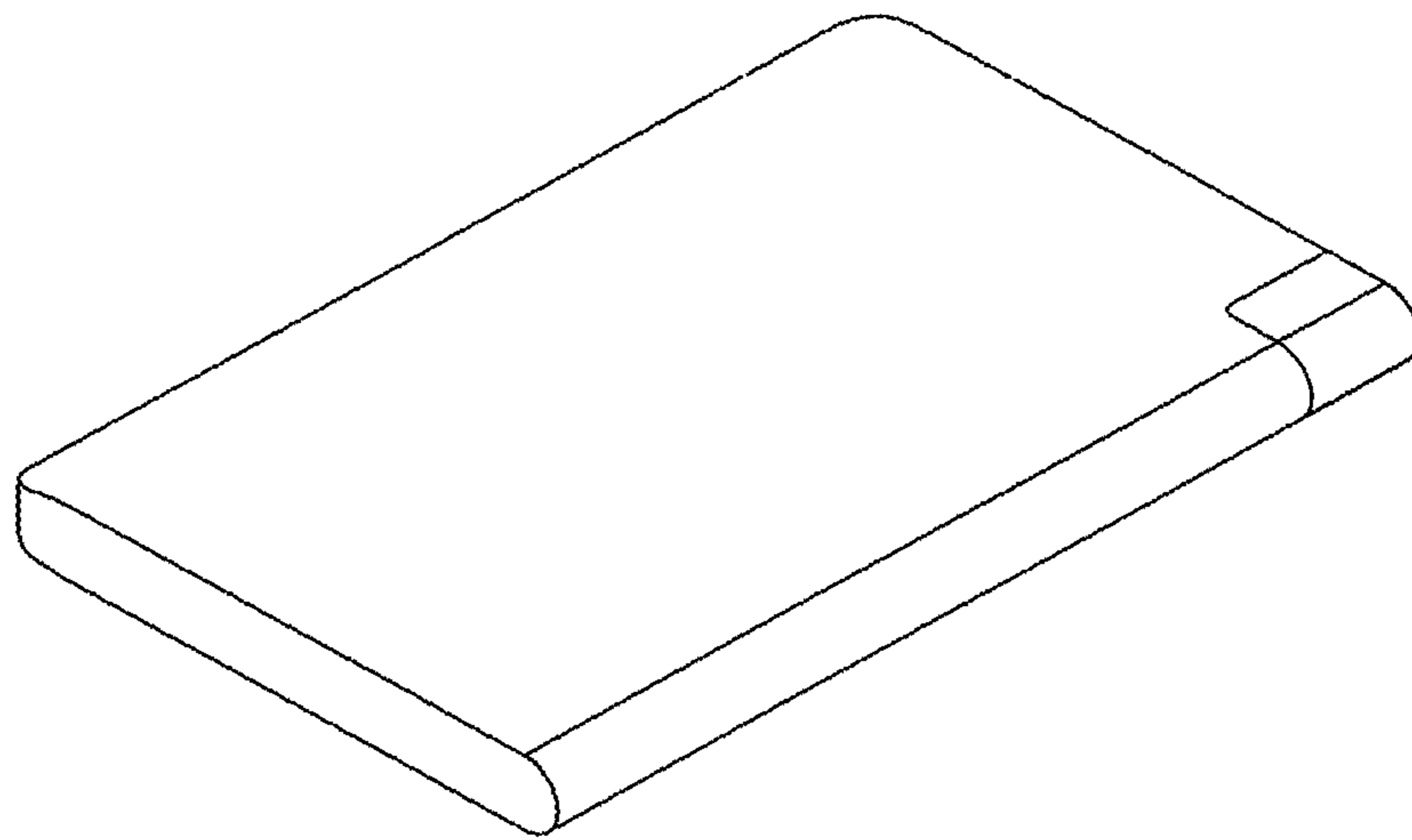


FIG.8

