



US00D911937S

(12) **United States Design Patent**
Mortun

(10) **Patent No.:** **US D911,937 S**

(45) **Date of Patent:** **** Mar. 2, 2021**

(54) **CHARGING SYSTEM**

(71) Applicant: **Hubbell Incorporated**, Shelton, CT
(US)

(72) Inventor: **Sorin Mortun**, Irvington, NY (US)

(73) Assignee: **Hubbell Incorporated**, Shelton, CT
(US)

(**) Term: **15 Years**

(21) Appl. No.: **29/716,145**

(22) Filed: **Dec. 6, 2019**

Related U.S. Application Data

(62) Division of application No. 29/603,996, filed on May 15, 2017, now Pat. No. Des. 872,687.

(51) **LOC (13) Cl.** **13-02**

(52) **U.S. Cl.**
USPC **D13/107**

(58) **Field of Classification Search**

USPC D13/103, 107–110, 118–119, 184, 199;
D14/307

CPC H02J 7/02; H02J 7/14; H02J 7/1438; H02J
7/342; H02J 7/345; H02J 7/00; H02J
7/0026; H02J 7/027; H02J 7/0042; H02J
7/0044; H02J 7/0045; H02J 7/0013; H02J
7/0003; H02J 2310/00; H02J 2310/40;
H02J 2310/48

See application file for complete search history.

(56) **References Cited**

U.S. PATENT DOCUMENTS

D626,063 S *	10/2010	Cutter	D13/107
D628,960 S *	12/2010	Shimizu	D13/107
D632,645 S *	2/2011	Blain	D13/107
D641,694 S *	7/2011	Akahori	D13/107
D651,561 S *	1/2012	Petrie	D13/107

D652,791 S *	1/2012	Petrie	D13/107
D654,430 S *	2/2012	Demers	D13/107
D654,862 S *	2/2012	Holthusen	D13/107
D655,242 S *	3/2012	Holthusen	D13/107
D660,791 S	5/2012	Murata		
D664,085 S	7/2012	Callender		
D665,344 S *	8/2012	Petrie	D13/107
D665,733 S *	8/2012	Petrie	D13/107
D669,026 S *	10/2012	Oda	D13/107
D683,307 S *	5/2013	Lecoanet	D13/107
D692,374 S *	10/2013	Choi	D13/107
D694,179 S *	11/2013	Zeppetzaer	D13/107
D706,213 S *	6/2014	Titus	D13/107

(Continued)

Primary Examiner — Rosemary K Tarcza

(74) *Attorney, Agent, or Firm* — Michael Best & Friedrich, LLP

(57) **CLAIM**

I claim the ornamental design for a charging system, as shown and described.

DESCRIPTION

FIG. 1 is a perspective view of a charging system showing the new design.

FIG. 2 is a front elevation view of the charging system shown in FIG. 1.

FIG. 3 is a rear elevation view of the charging system shown in FIG. 1.

FIG. 4 is a first side elevation view of the charging system shown in FIG. 1.

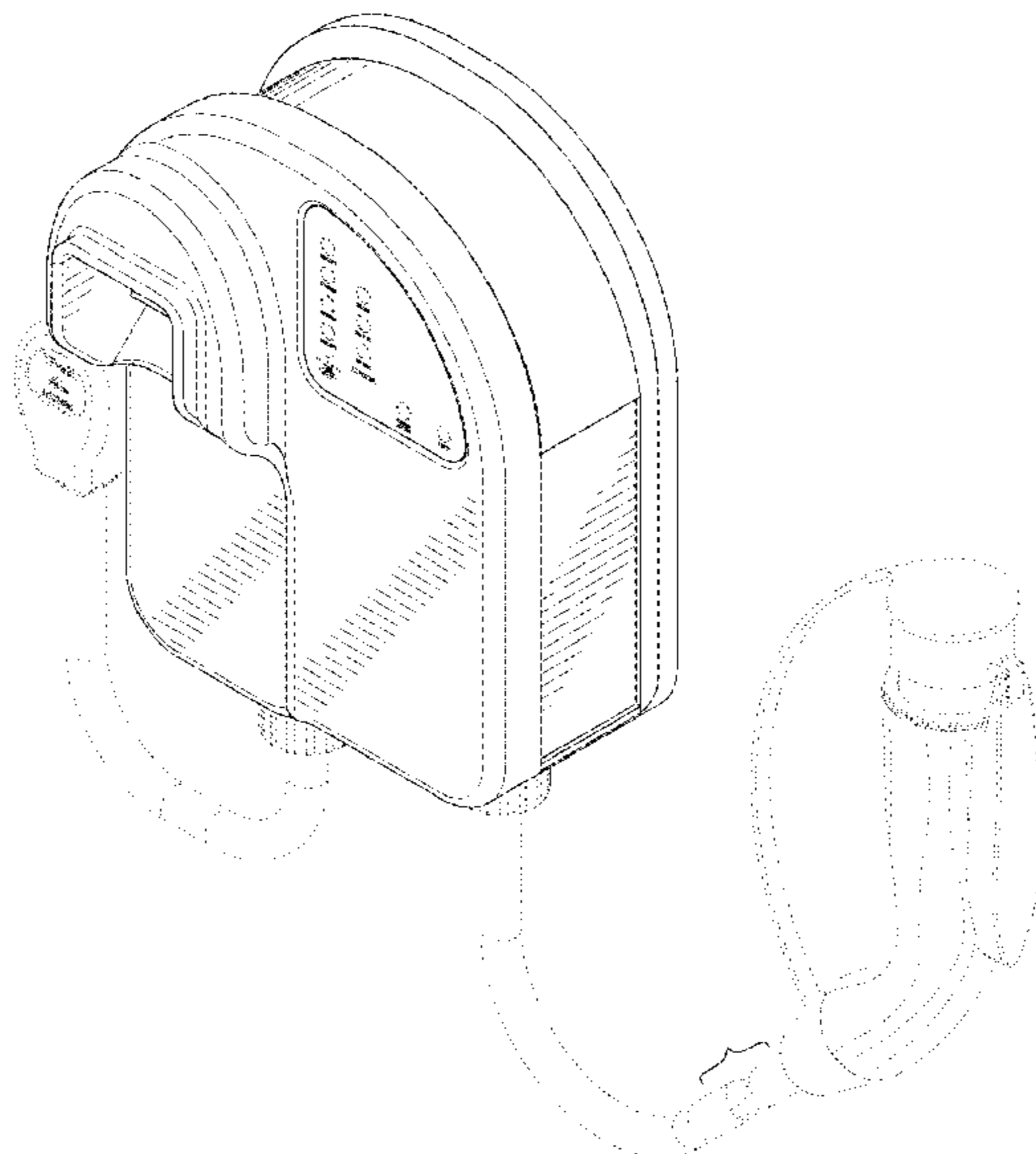
FIG. 5 is a second side elevation view of the charging system shown in FIG. 1.

FIG. 6 is a first plan view of the charging system shown in FIG. 1; and,

FIG. 7 is a second plan view of the charging system shown in FIG. 1.

The elements shown in broken lines are included for the purpose of illustrating portions of the charging system that form no part of the claimed design.

1 Claim, 5 Drawing Sheets



(56)

References Cited

U.S. PATENT DOCUMENTS

D725,032	S *	3/2015	Demirjian	D13/107
D725,033	S *	3/2015	Demirjian	D13/107
D733,047	S *	6/2015	Shin	D13/107
D777,101	S *	1/2017	Shimada	D13/107
D795,193	S	8/2017	Huang	
D830,968	S *	10/2018	Wang	D13/107
D830,969	S *	10/2018	Wang	D13/107
D864,108	S *	10/2019	Ito	D13/107
D872,687	S *	1/2020	Mortun	D13/107
D873,768	S *	1/2020	Minkyu	D13/107
D876,341	S *	2/2020	Tomasson	D13/107
D884,613	S *	5/2020	Minkyu	D13/107
D888,657	S *	6/2020	Helnerus	D13/107
D889,397	S *	7/2020	Bouman	D13/107
D892,725	S *	8/2020	Baxter	D13/107
2013/0020990	A1 *	1/2013	Deboer	B60L 53/18 320/109
2015/0077239	A1 *	3/2015	Litjen	H02J 7/0027 340/455

* cited by examiner

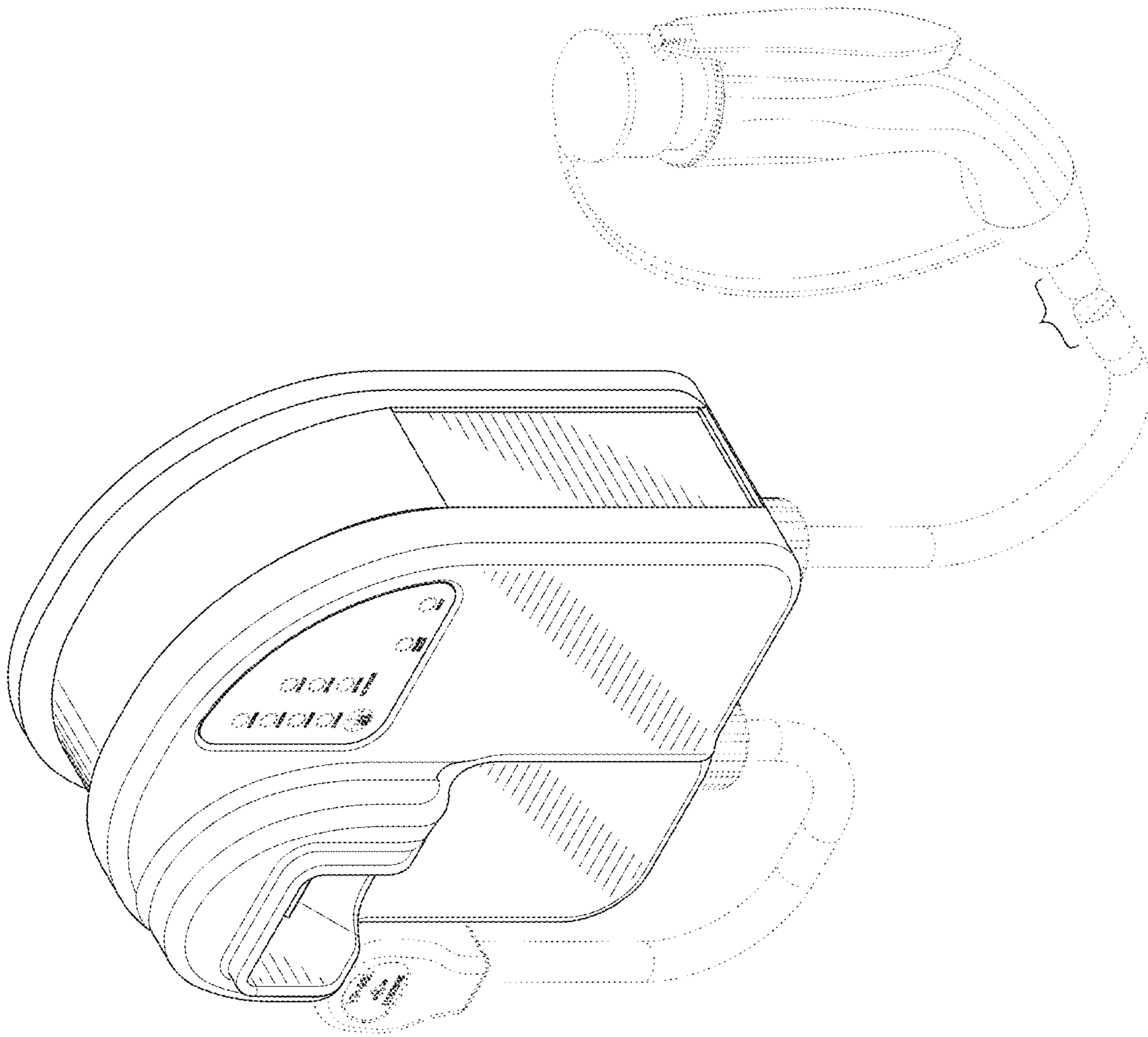


FIG. 1

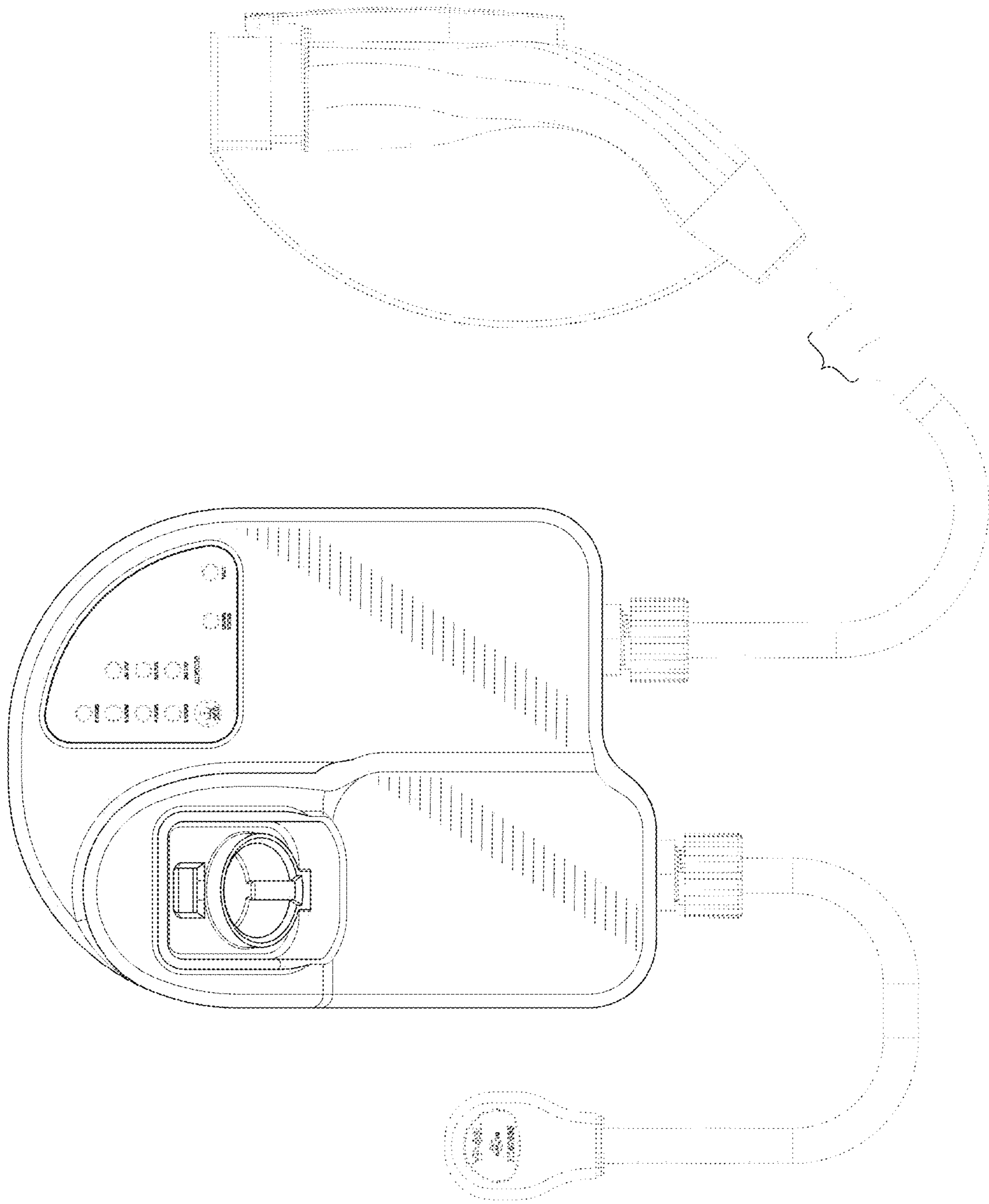


FIG. 2

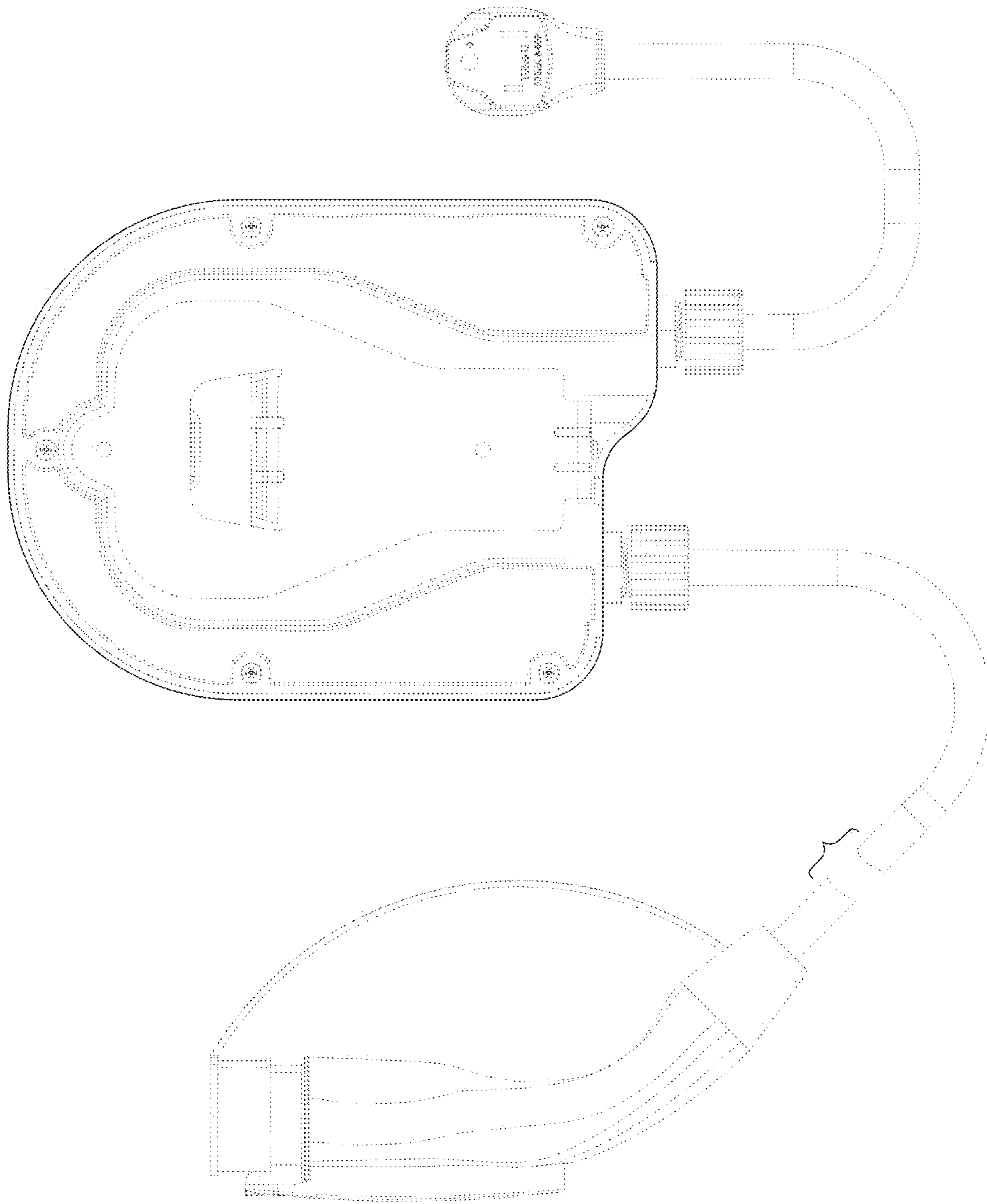


FIG. 3

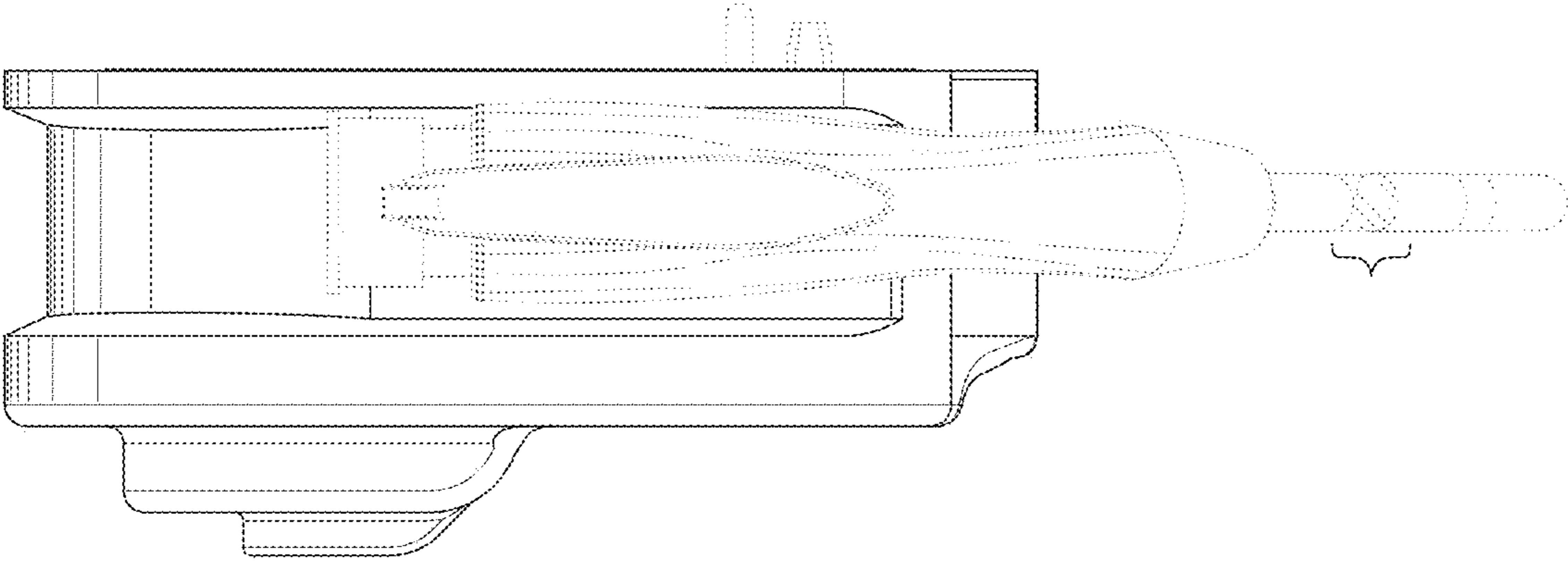


FIG. 5

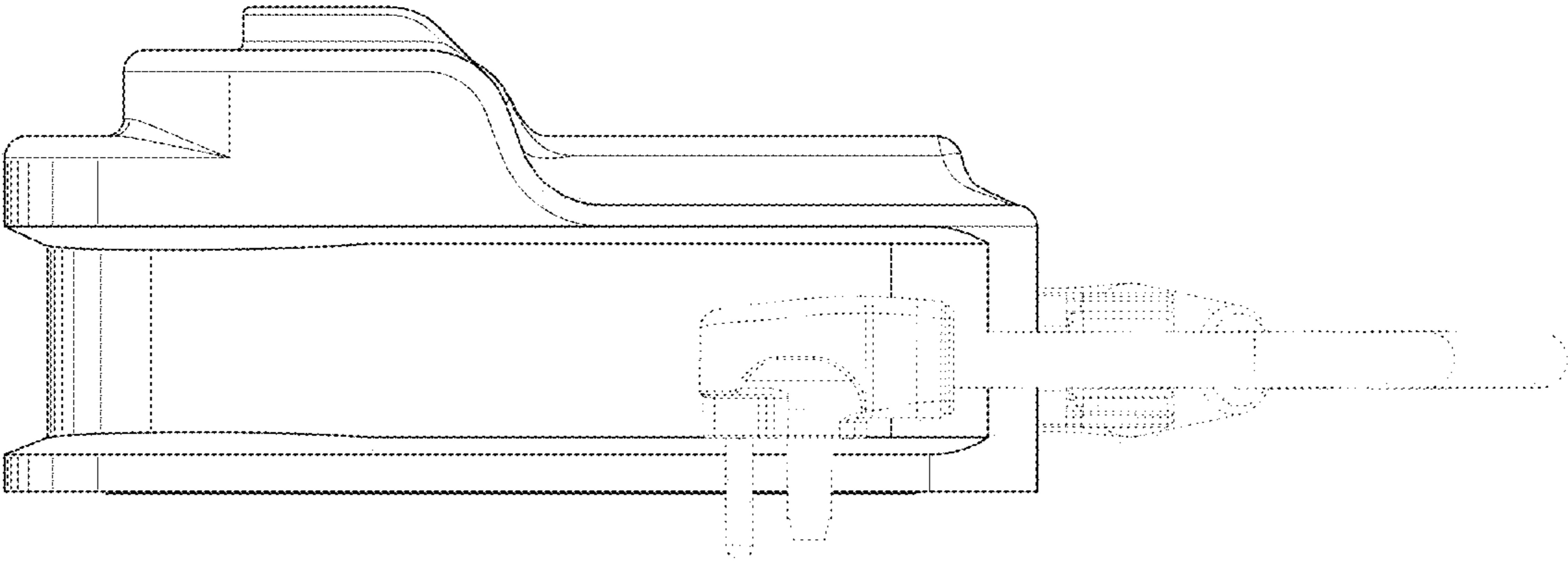


FIG. 4

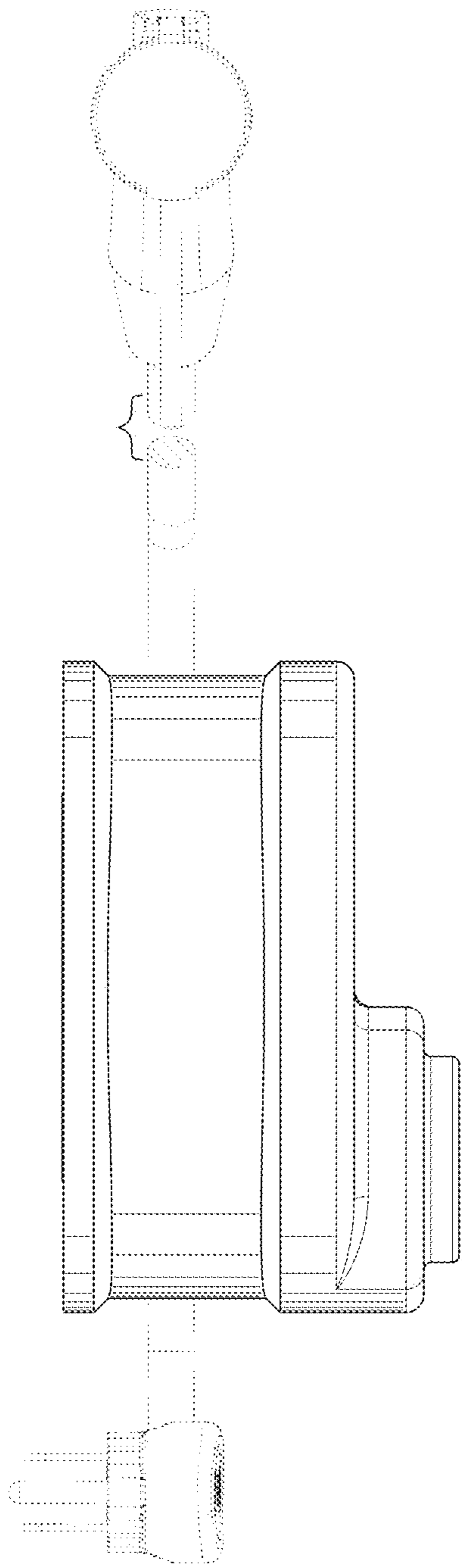


FIG. 6

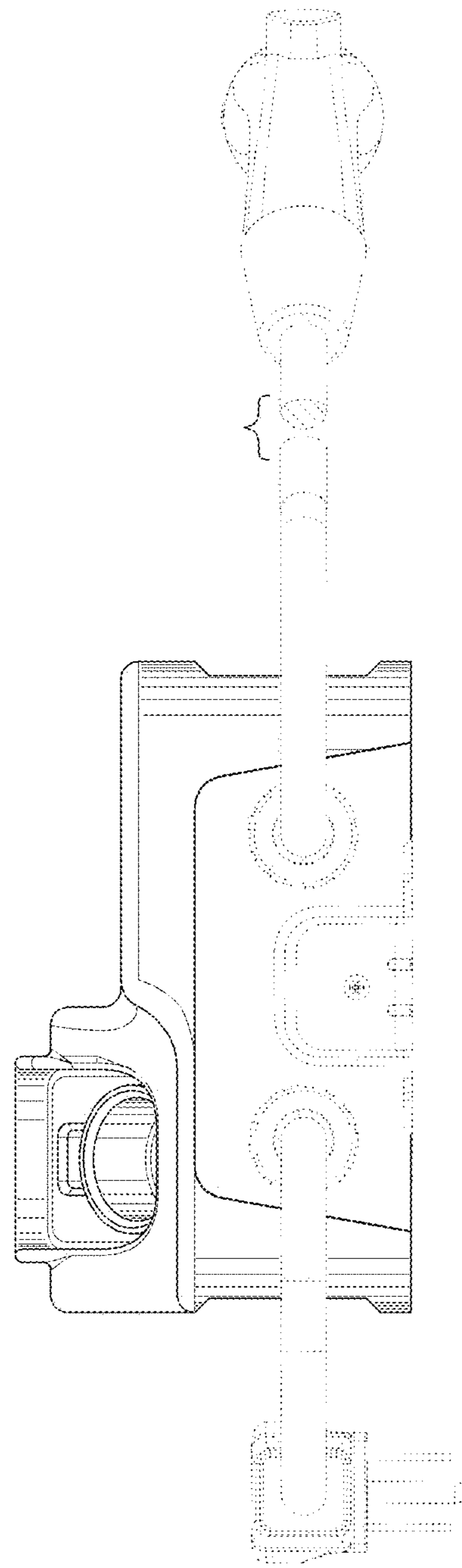


FIG. 7