



US00D911935S

(12) **United States Design Patent**
Alexander et al.

(10) **Patent No.:** **US D911,935 S**
(45) **Date of Patent:** **** Mar. 2, 2021**

- (54) **INVERTER GENERATOR**
- (71) Applicant: **FNA Group, inc.**, Pleasant Prairie, WI (US)
- (72) Inventors: **Gus Alexander**, Inverness, IL (US);
Christopher C. Alexander, Park Ridge, IL (US)
- (73) Assignee: **FNA Group, Inc.**, Pleasant Prairie, WI (US)
- (**) Term: **15 Years**
- (21) Appl. No.: **29/677,294**
- (22) Filed: **Jan. 18, 2019**
- (51) **LOC (13) Cl.** **13-02**
- (52) **U.S. Cl.**
USPC **D13/107**
- (58) **Field of Classification Search**
USPC D13/102-110, 118-119, 184
CPC Y02E 60/10; Y02E 60/12; Y02E 60/122;
Y02E 60/124; Y02E 60/50; H01M 2/02;
H01M 2/022; H01M 2/0202; H01M
2/0207; H01M 2/0212; H01M 2/1061;
H01M 2/1022; H01M 2/1055; H01M
2/1066; H01M 2/105; H01M 2/20; H01M
2/202; H01M 2/204; H01M 2/206; H01M
10/44; H01M 10/46; H01M 10/465;
H01M 10/482; H01M 2200/30; H01M
2250/30; H01M 2250/40; H02J 7/00;
H02J 7/0003; H02J 7/0011; H02J 7/0013;
H02J 7/0054; H02J 7/0055; H02J 7/0057;
H02J 2007/0062
See application file for complete search history.

- D506,724 S * 6/2005 Hriscu D13/107
- D650,739 S * 12/2011 Cai D13/116
- D674,747 S * 1/2013 Nierescher D13/106
- D764,403 S * 8/2016 Azuma D13/103
- D780,686 S * 3/2017 Glasow D13/103
- D813,161 S * 3/2018 Ortakales D13/110
- D815,039 S * 4/2018 Wen D13/110
- D870,042 S * 12/2019 Chen D13/110

(Continued)

OTHER PUBLICATIONS

Simpson 2200wats generator inverter, published Mar. 2, 2019, retrieved on Feb. 24, 2020, retrieved from the Internet URL: <https://www.youtube.com/watch?v=bsJgVzhxv-8>.*

(Continued)

Primary Examiner — Jennifer Rivard
Assistant Examiner — Alison M Ofstun
(74) *Attorney, Agent, or Firm* — Steven E. Jedlinski;
Jeffrey T. Placker; Holland & Knight LLP

(57) **CLAIM**

The ornamental design for an inverter generator, as shown and described.

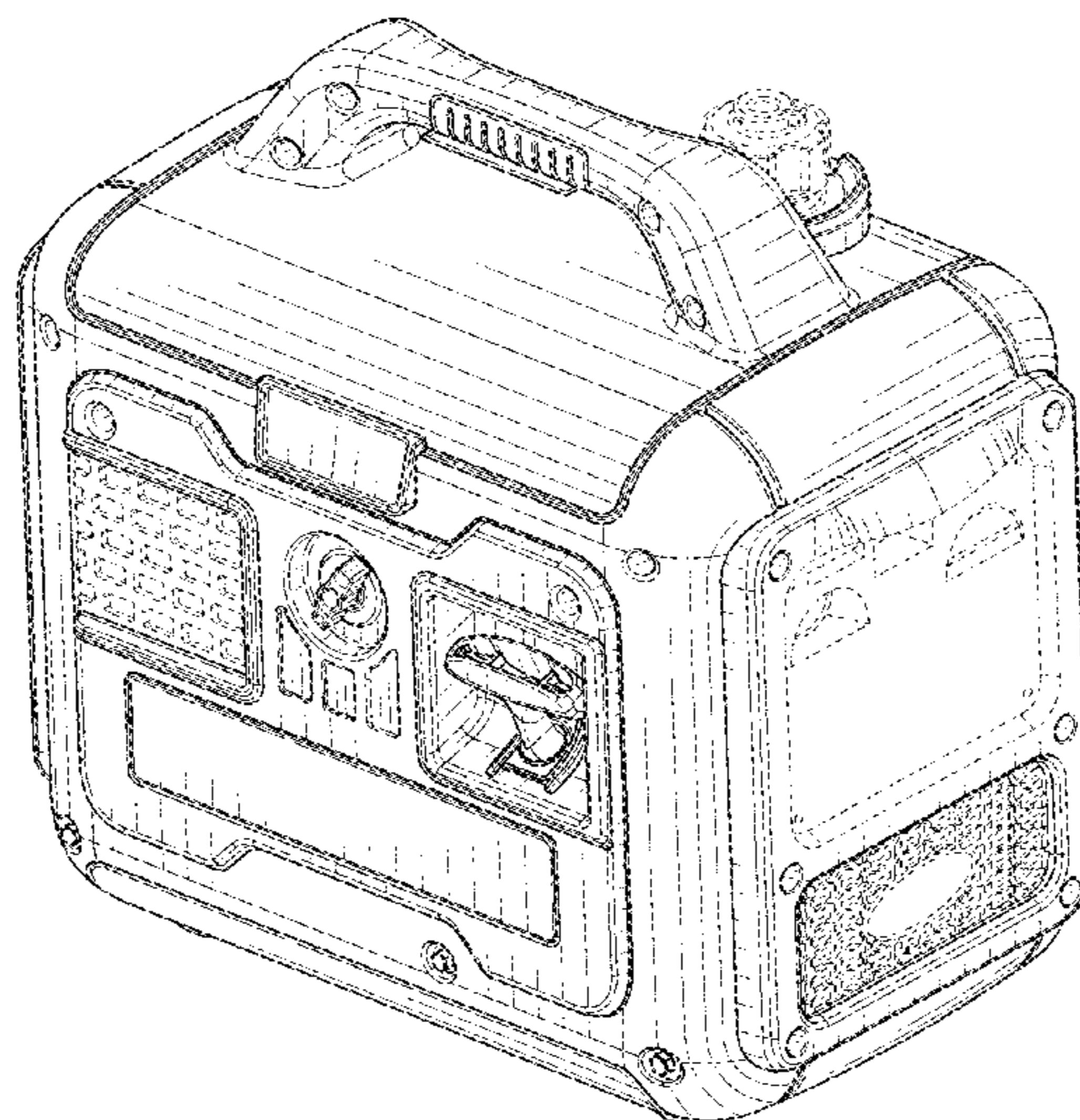
DESCRIPTION

FIG. 1 is a top-front-right perspective view of a inverter generator;
FIG. 2 is a bottom-rear-right perspective view thereof;
FIG. 3 is a top-rear-left perspective view thereof;
FIG. 4 is a front-left-bottom perspective view thereof;
FIG. 5 is a front elevation view thereof;
FIG. 6 is a rear elevation view thereof;
FIG. 7 is a right elevation view thereof;
FIG. 8 is a left elevation view thereof;
FIG. 9 is a top plan view thereof; and,
FIG. 10 is a bottom plan view thereof.
The broken lines are included for the purpose of illustrating portions of the inverter generator that form no part of the claimed design.

1 Claim, 10 Drawing Sheets

(56) **References Cited**
U.S. PATENT DOCUMENTS

- D386,148 S * 11/1997 Katooka D13/110
- D423,451 S * 4/2000 Heckenast D13/110
- D495,994 S * 9/2004 Arakelian D13/103



(56)

References Cited

U.S. PATENT DOCUMENTS

D871,334 S * 12/2019 Chen D13/110
D871,337 S * 12/2019 Nagasawa D13/116
D872,692 S * 1/2020 Li D13/108
D873,767 S * 1/2020 Rao D13/107
D874,397 S * 2/2020 Sun D13/107
D874,398 S * 2/2020 Sun D13/107
2015/0273608 A1 * 10/2015 Rozmarynowski .. B23K 9/1012
219/133

OTHER PUBLICATIONS

Canadian Examination Report in related Canadian Application No.
188658 dated Sep. 14, 2020, 1 page.

* cited by examiner

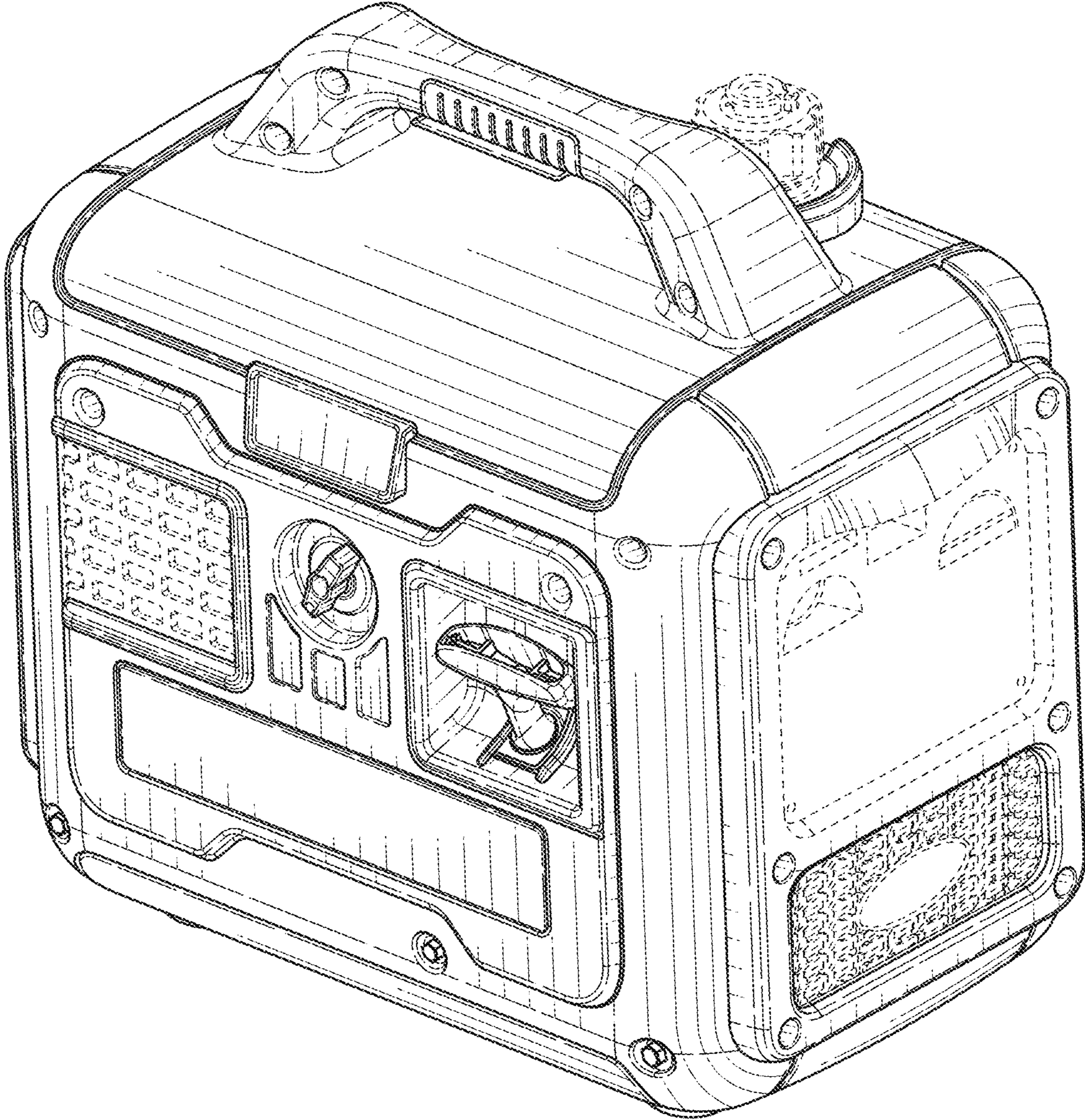


FIG. 1

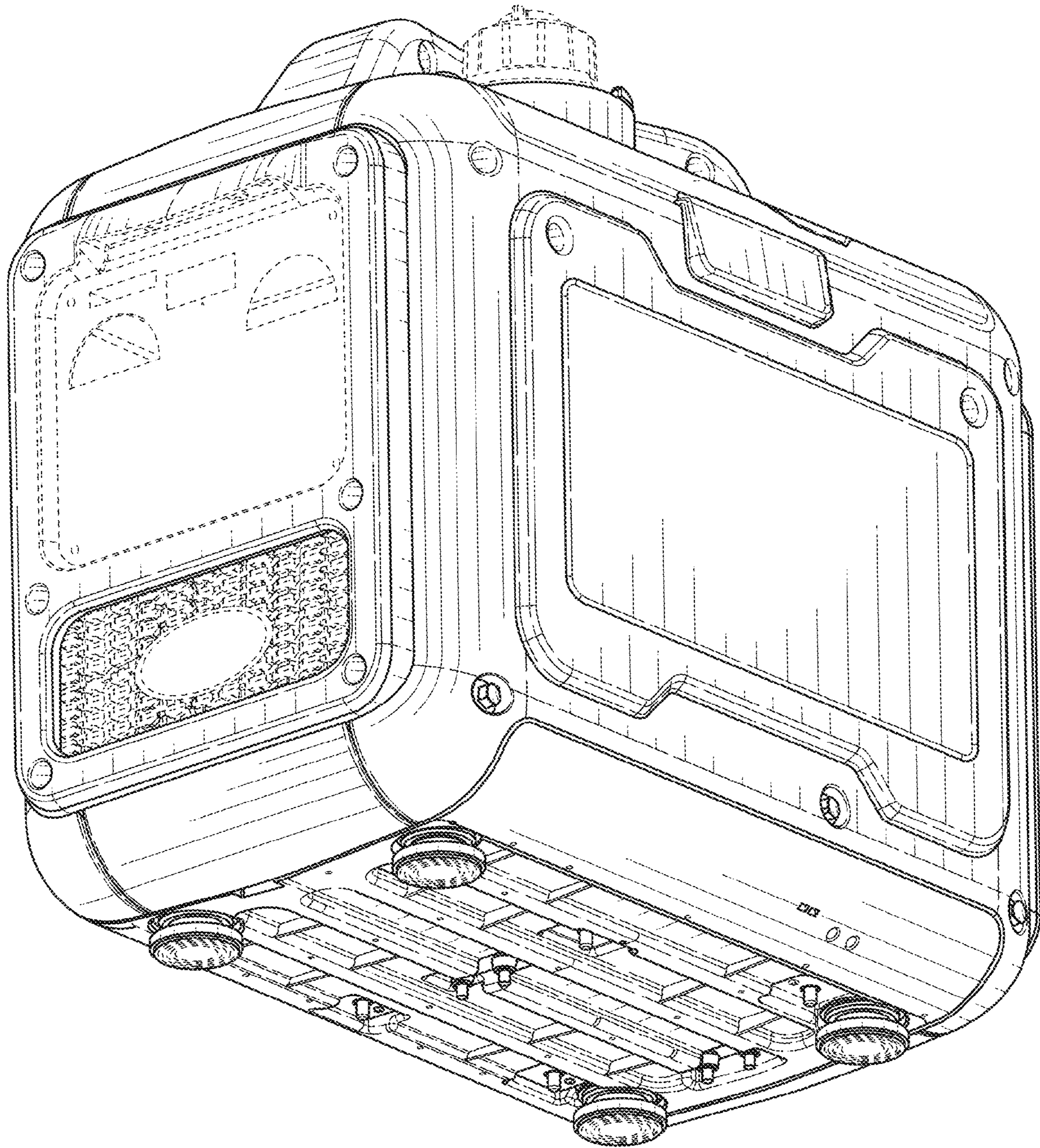


FIG. 2

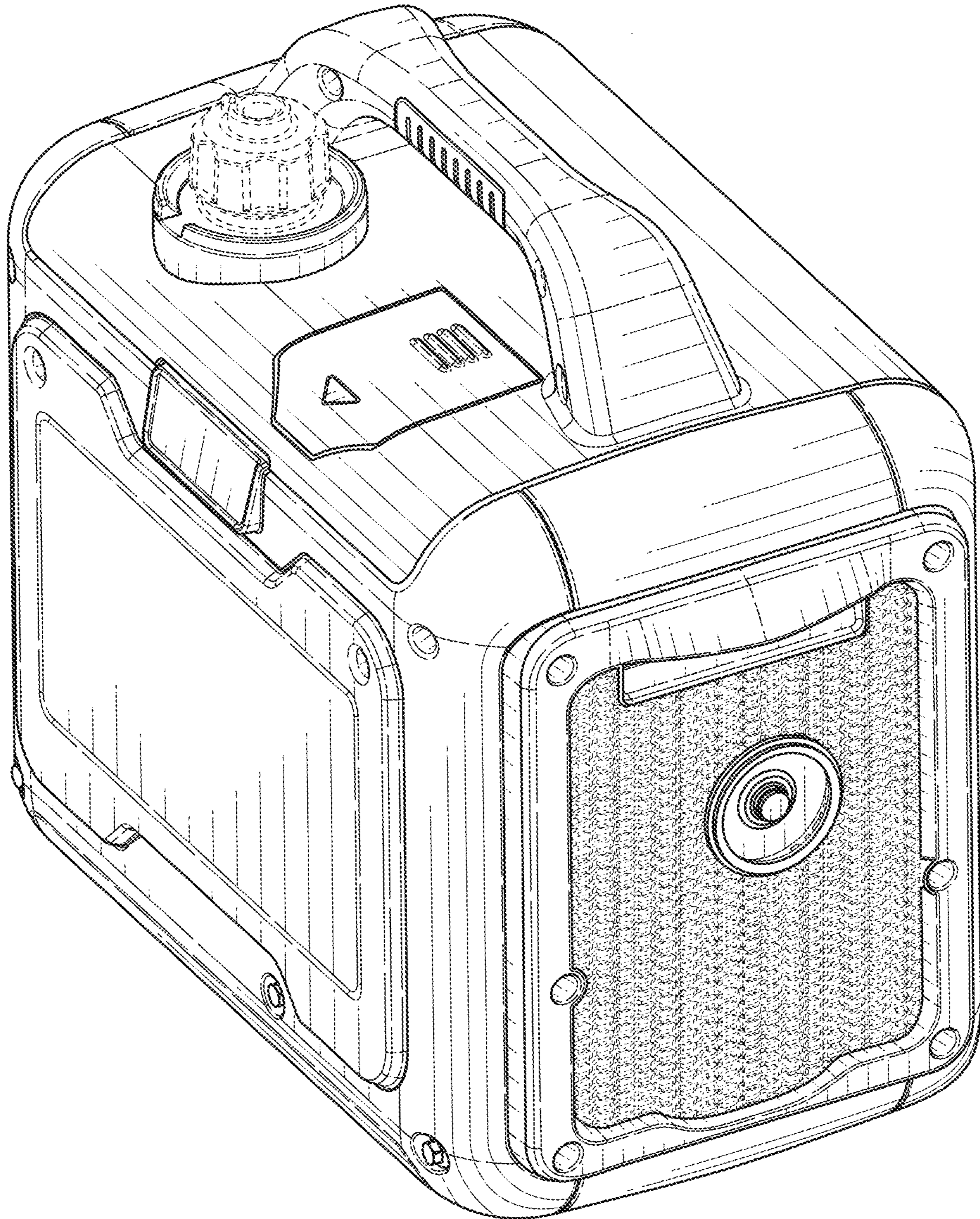


FIG. 3

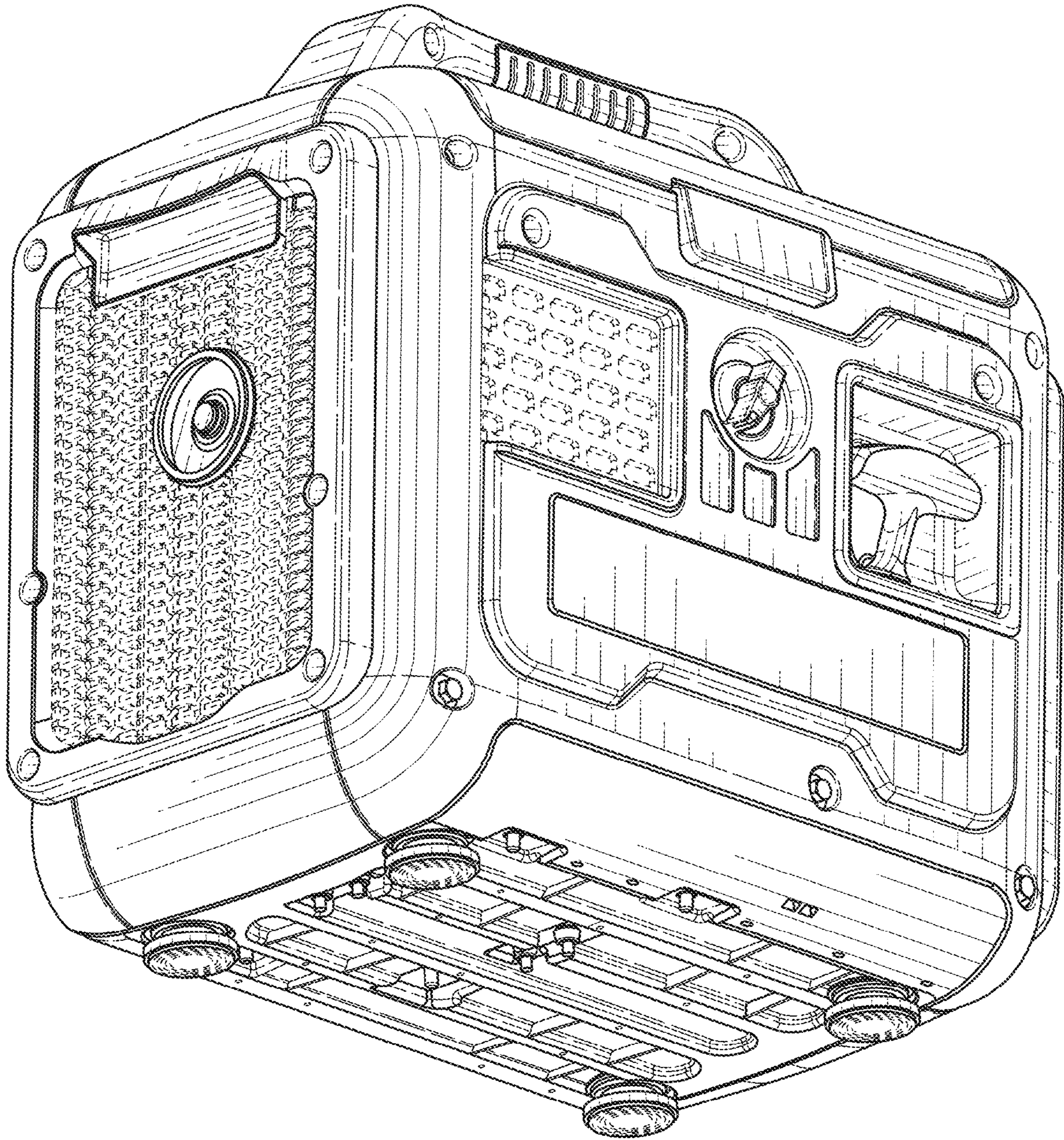


FIG. 4

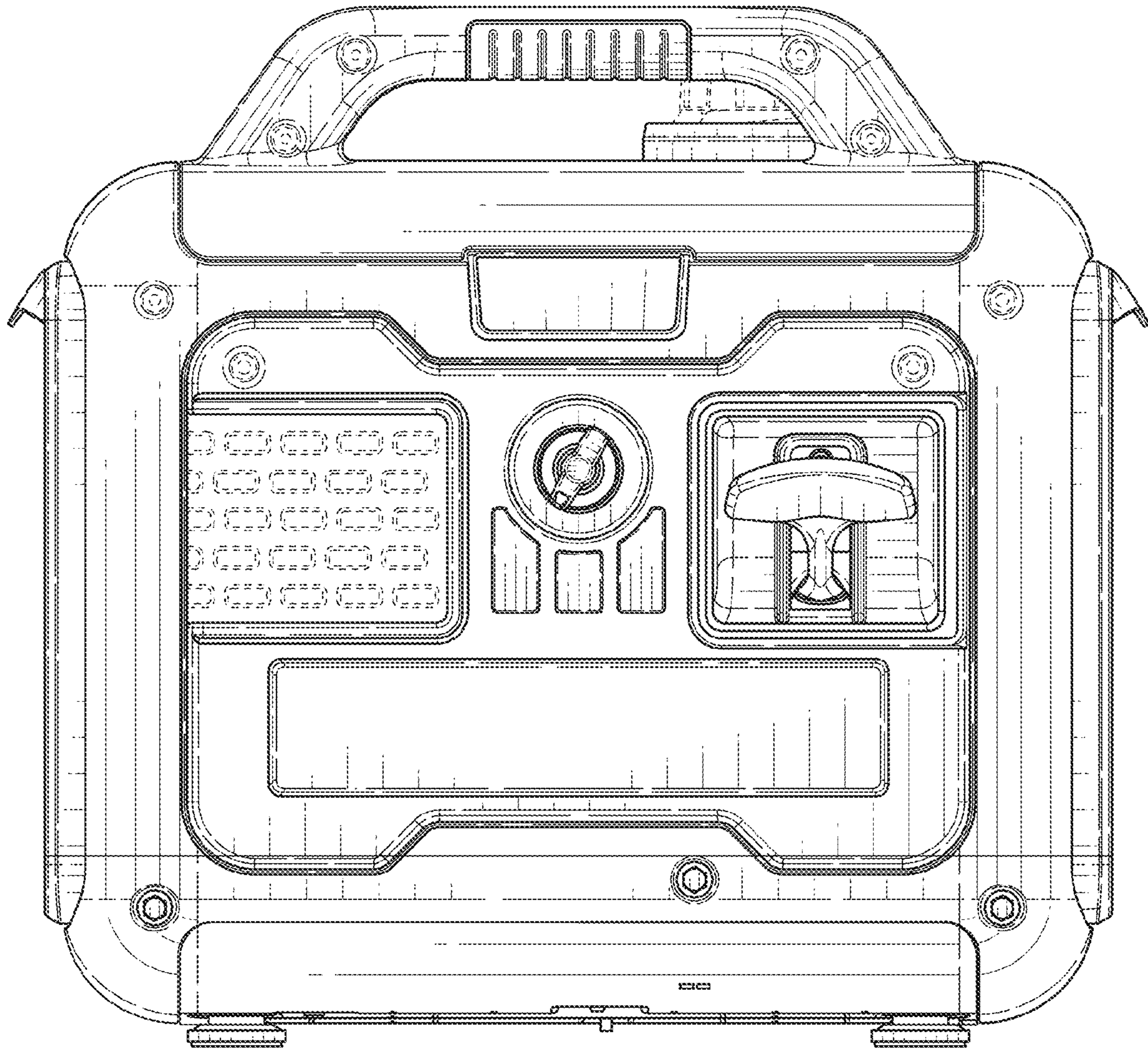


FIG. 5

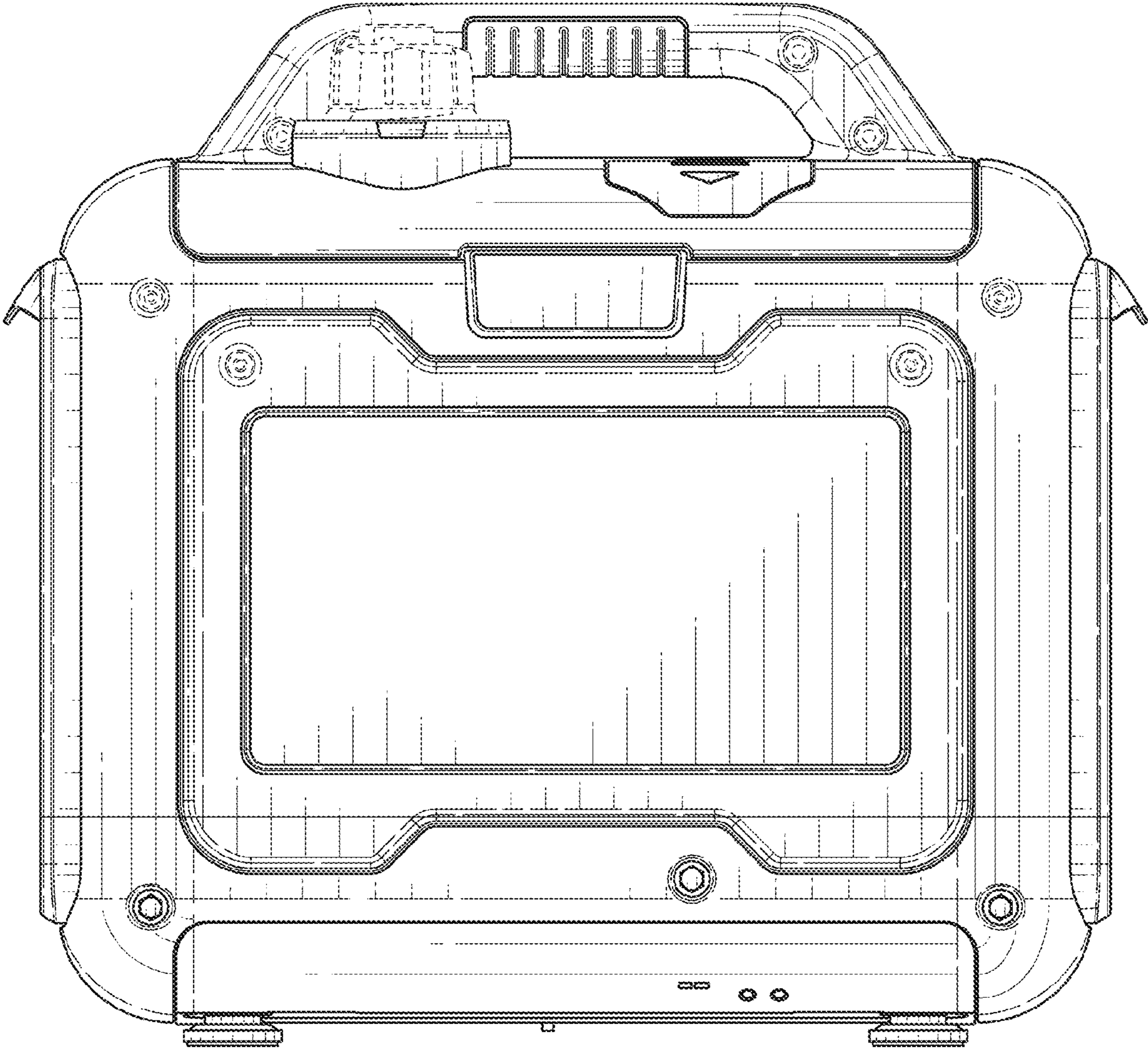


FIG. 6

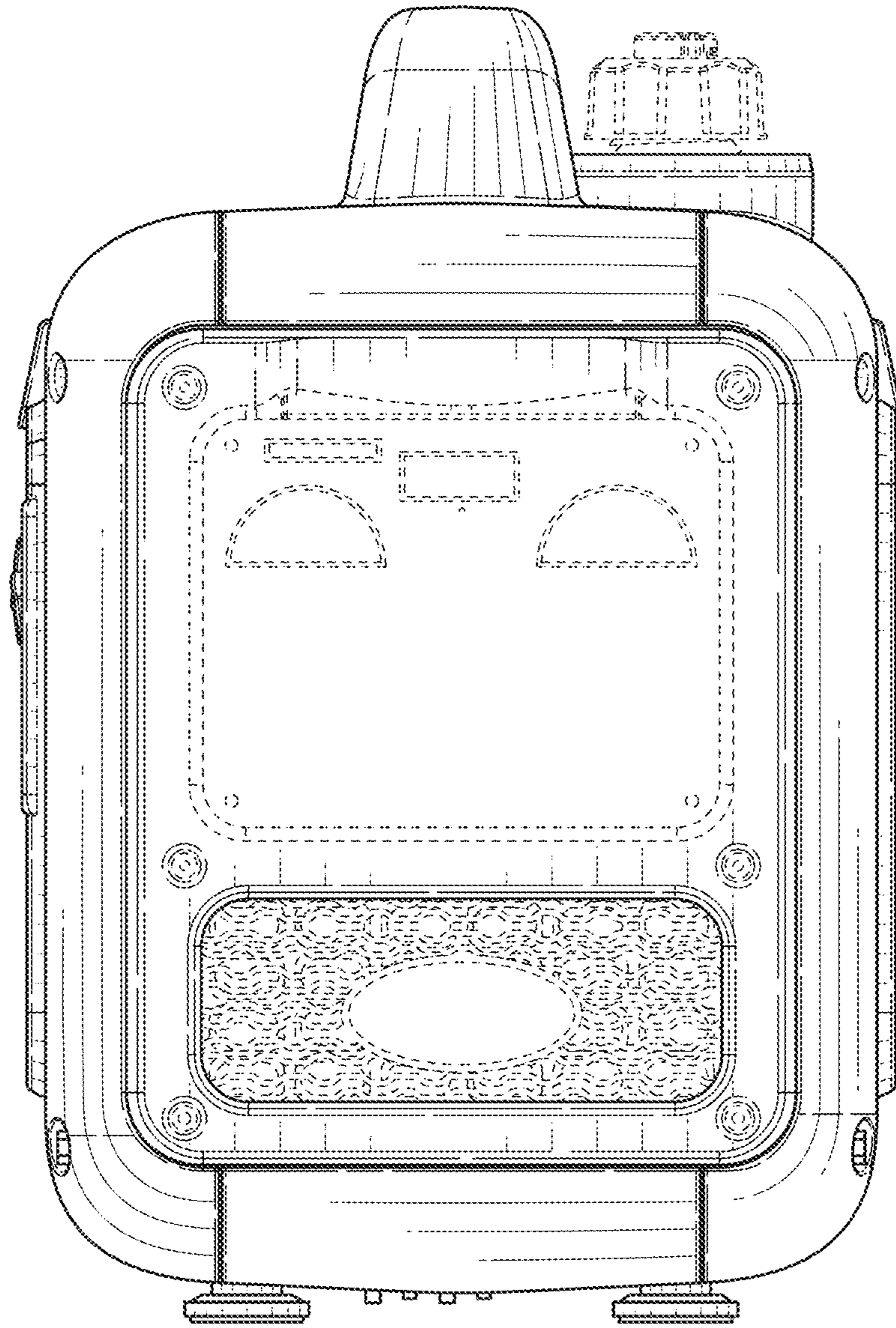


FIG. 7

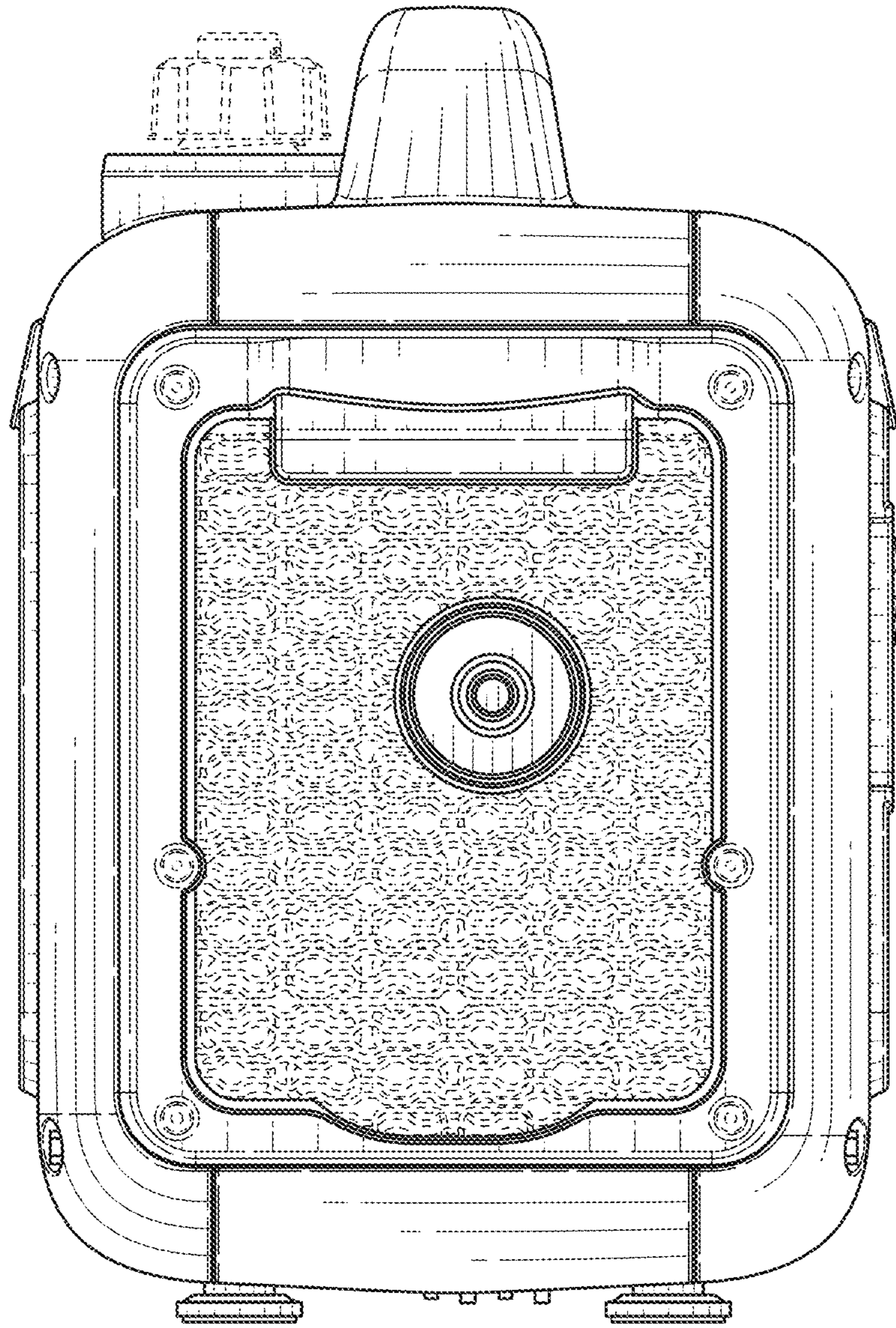


FIG. 8

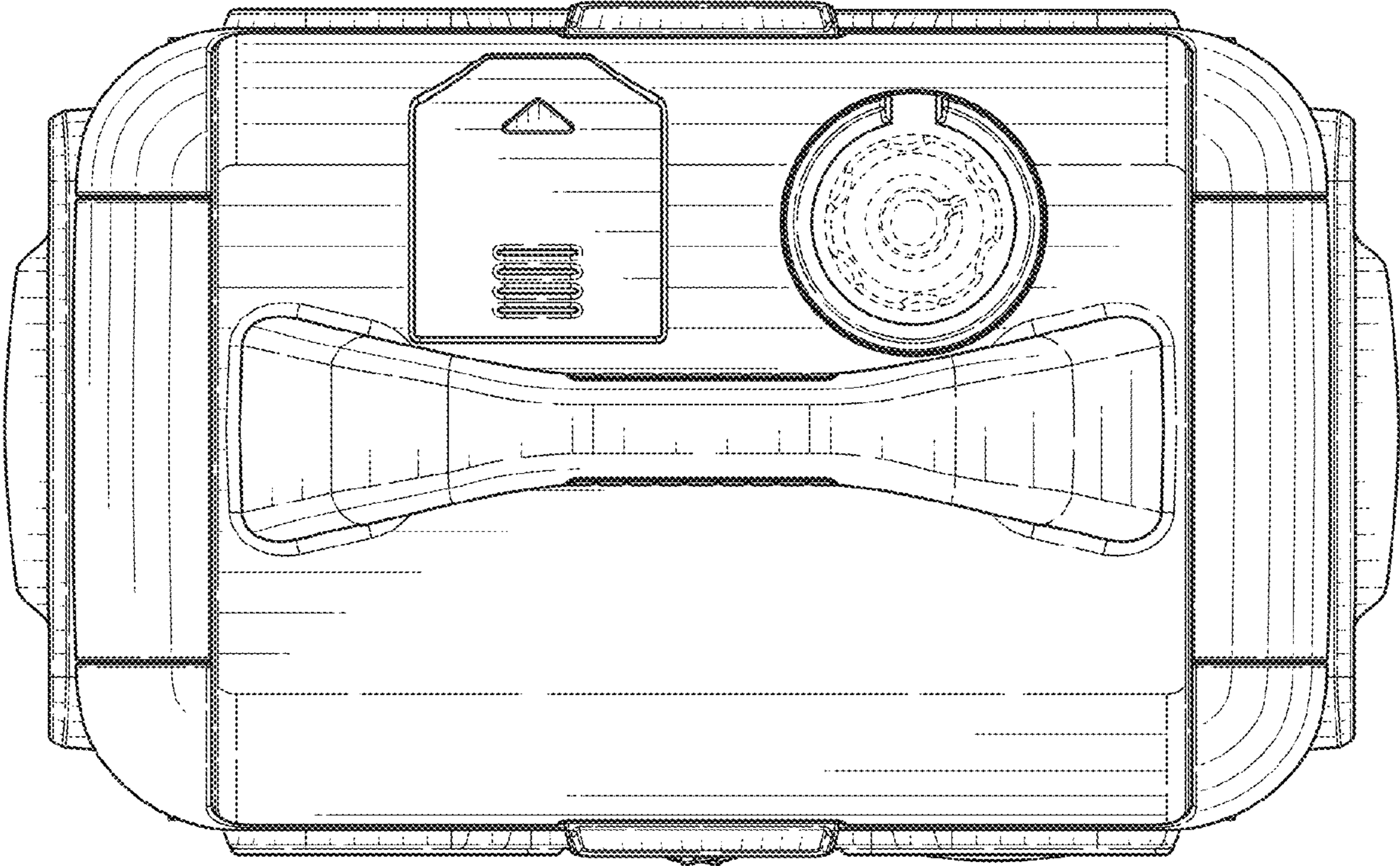


FIG. 9

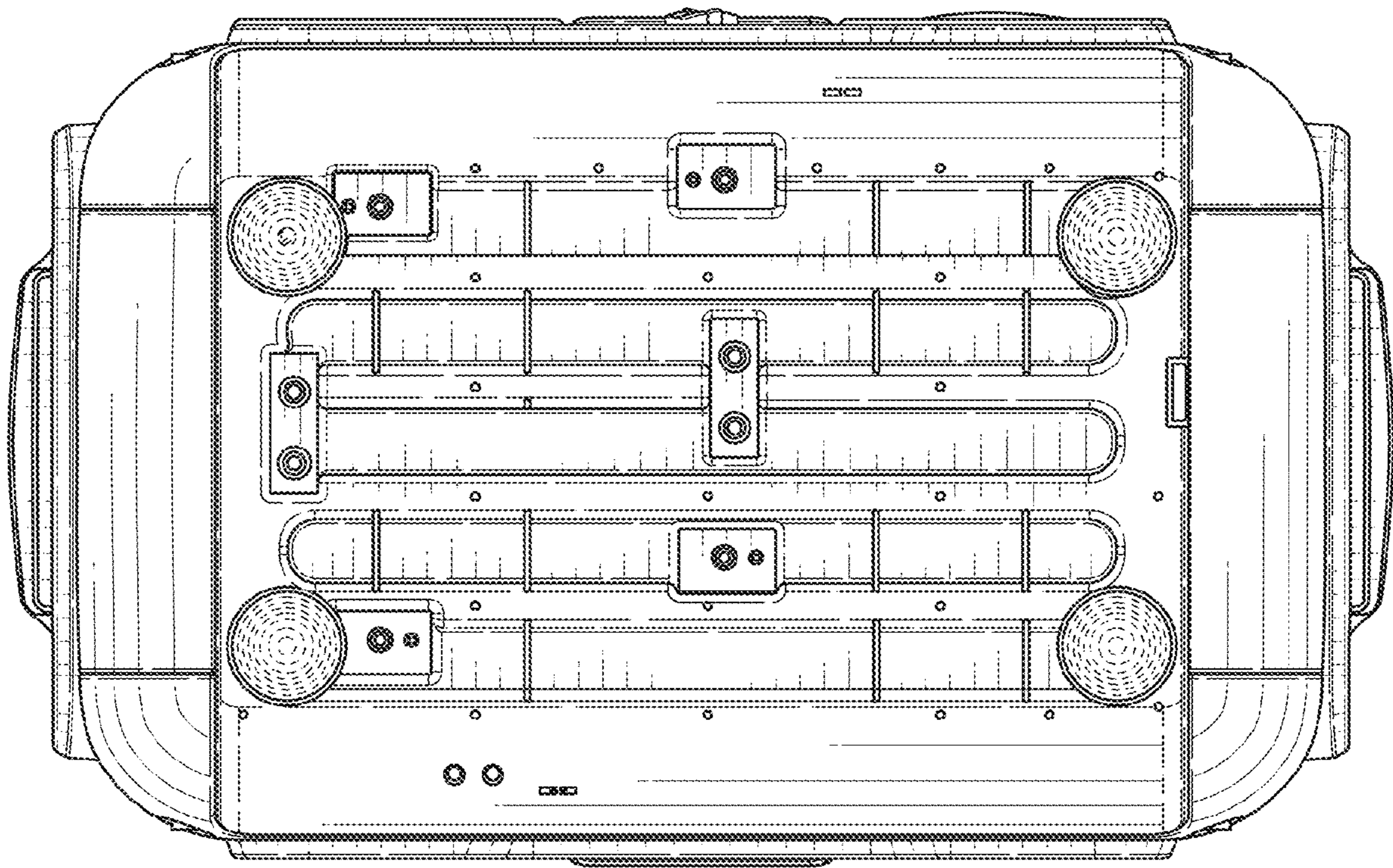


FIG. 10