



US00D911933S

(12) **United States Design Patent** (10) **Patent No.:** **US D911,933 S**
Dong et al. (45) **Date of Patent:** **** Mar. 2, 2021**

- (54) **BATTERY**
- (71) Applicant: **Inventus Power, Inc.**, Woodridge, IL (US)
- (72) Inventors: **Qicai Dong**, Dongguan (CN); **Tom Nguyen**, Lombard, IL (US); **William Tenorio**, San Jose, CA (US); **Mike Tomaschek**, St. Charles, IL (US)
- (73) Assignee: **Inventus Power, Inc.**, Woodridge, IL (US)

4,693,949 A	9/1987	Kellett et al.	
D292,576 S *	11/1987	Kump	D13/106
D294,484 S *	3/1988	Kellett	D13/106
4,752,543 A	6/1988	Anderson et al.	
D299,639 S	1/1989	Anderson et al.	
D303,652 S	9/1989	Lopez-Doriga Lopez-Doriga	
D303,653 S	9/1989	Lopez-Doriga Lopez-Doriga	
D310,821 S	9/1990	Hulsebus et al.	
5,144,719 A	9/1992	Arthur	
5,232,796 A	8/1993	Baumgartner	
D352,498 S	11/1994	Beidler et al.	
D383,434 S *	9/1997	Hooke	D13/103
D401,551 S	11/1998	Kim	

(Continued)

(**) Term: **15 Years**

FOREIGN PATENT DOCUMENTS

(21) Appl. No.: **29/741,230**

WO	D017460-001-2	8/1990
WO	D029942-001	6/1994

(Continued)

(22) Filed: **Jul. 10, 2020**

(51) **LOC (13) Cl.** **13-02**

Primary Examiner — Rosemary K Tarcza

(52) **U.S. Cl.**
USPC **D13/104**

(74) *Attorney, Agent, or Firm* — Banner & Witcoff, Ltd.

(58) **Field of Classification Search**
USPC D13/103–106, 118–119, 184, 199
CPC H01M 10/04; H01M 10/045; H01M 10/06;
H01M 10/08; H01M 10/14; H01M 10/425; H01M 4/14; H01M 4/16; H01M 4/68; H01M 4/685; H01M 4/73; H01M 2/28; H01M 2/30; H01M 2300/0011; H01M 2004/027; H01M 4/662
See application file for complete search history.

(57) **CLAIM**

The ornamental design for a battery, as shown and described.

DESCRIPTION

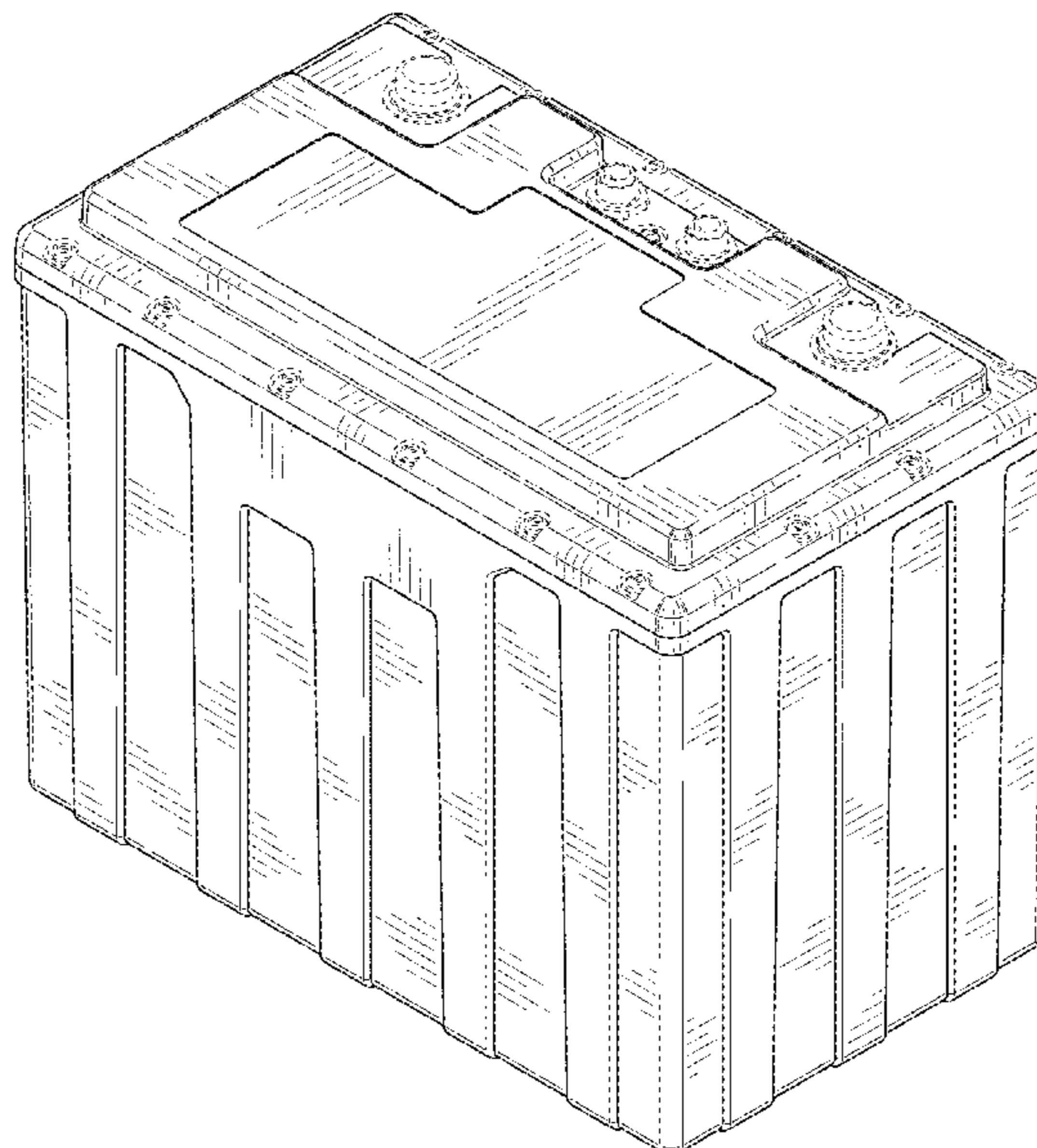
FIG. 1 is a top, front, right perspective view of the claimed design for a battery;
FIG. 2 is a front view thereof;
FIG. 3 is a rear view thereof;
FIG. 4 is a right side view thereof;
FIG. 5 is a left side view thereof; and,
FIG. 6 is a top view thereof.
The broken lines immediately adjacent to the shaded area depict boundaries of the claimed design and form no part thereof. The broken lines showing the remainder of the battery depict environmental structure and form no part of the claimed design. Portions of the battery not shown in the drawing form no part of the claimed design.

(56) **References Cited**

U.S. PATENT DOCUMENTS

D197,518 S	2/1964	Rohe	
4,371,591 A *	2/1983	Oxenreider	H01M 2/06 429/88
D284,278 S *	6/1986	Hennen	D13/104
D284,463 S	7/1986	Perkins et al.	
D284,755 S	7/1986	Hennen	
4,673,625 A	6/1987	McCartney et al.	

1 Claim, 6 Drawing Sheets



(56)

References Cited

U.S. PATENT DOCUMENTS

D413,859 S 9/1999 Ido et al.
 6,022,638 A 2/2000 Horton et al.
 D458,900 S 6/2002 Carter et al.
 D462,656 S 9/2002 Degen et al.
 6,499,190 B2 12/2002 Ruiz Rodriguez
 D491,138 S * 6/2004 Minato D13/104
 D527,344 S 8/2006 Rajpara et al.
 D543,938 S 6/2007 Kawakita et al.
 D553,565 S * 10/2007 Kawakita D13/119
 D610,083 S * 2/2010 Chen D13/104
 D633,865 S 3/2011 Qualls et al.
 D635,508 S 4/2011 Seyama et al.
 D640,191 S * 6/2011 Like D13/104
 D643,810 S 8/2011 Qualls et al.
 D643,811 S 8/2011 Qualls et al.
 D647,051 S 10/2011 Qualls et al.
 D647,052 S 10/2011 Qualls et al.
 D658,590 S 5/2012 Jansson
 D660,226 S 5/2012 Elison et al.
 D660,232 S 5/2012 Elison et al.
 D660,790 S 5/2012 Elison et al.
 D660,792 S 5/2012 Inskeep
 D662,046 S 6/2012 Unger et al.
 D665,343 S 8/2012 Qualls, Jr. et al.
 D668,604 S 10/2012 Elison et al.
 D674,747 S 1/2013 Nierescher et al.
 D674,756 S 1/2013 Jansson
 D675,562 S 2/2013 Qualls et al.
 D687,372 S 8/2013 Tang
 D692,373 S * 10/2013 Touhy D13/103
 D693,293 S 11/2013 Tang
 D713,333 S 9/2014 Komaki et al.
 D719,088 S * 12/2014 Koebler D13/104

D721,647 S 1/2015 DeKeuster
 8,952,653 B2 2/2015 Lee
 D726,108 S 4/2015 Medeiros
 D731,413 S 6/2015 Ke et al.
 D733,048 S 6/2015 Inskeep
 D753,586 S 4/2016 Fujimoto et al.
 D753,587 S * 4/2016 Tanaka D13/103
 D755,715 S 5/2016 Inskeep
 D758,303 S * 6/2016 Walker D13/103
 9,711,778 B2 7/2017 DeKeuster et al.
 D806,016 S 12/2017 Villarreal et al.
 D807,817 S * 1/2018 Walker D13/103
 D830,965 S * 10/2018 Varatharajah D13/103
 D830,967 S 10/2018 Sugiyama et al.
 10,211,434 B2 2/2019 Ichikawa et al.
 10,276,847 B2 4/2019 Cho et al.
 10,431,780 B2 10/2019 Elison et al.
 10,446,808 B2 10/2019 Elison et al.
 D868,686 S 12/2019 Zhong et al.
 D869,388 S 12/2019 Varatharajah et al.
 D870,033 S * 12/2019 Varatharajah D13/103
 10,573,857 B2 2/2020 Choi et al.
 2013/0164575 A1 * 6/2013 Kim H01M 2/0277
 429/61
 2013/0171503 A1 7/2013 Lee
 2018/0175464 A1 6/2018 Kim et al.
 2018/0269438 A1 * 9/2018 Nishikawa H01G 11/10
 2020/0036066 A1 1/2020 Cho et al.
 2020/0044204 A1 * 2/2020 Lee H01M 2/0426

FOREIGN PATENT DOCUMENTS

WO D031400-001-2 11/1994
 WO D092406-001 7/2016
 WO D101797-001-6 3/2018

* cited by examiner

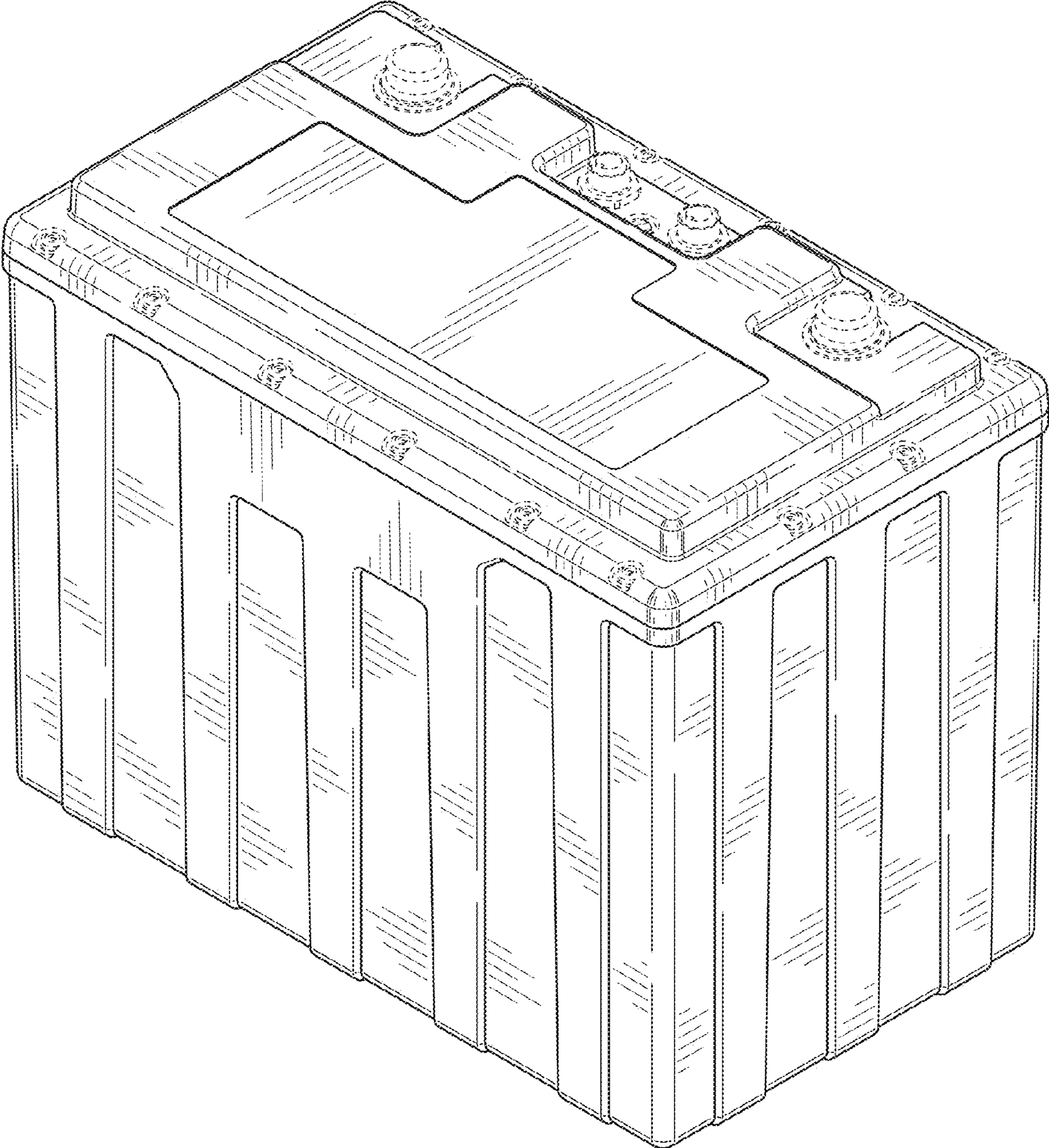


FIG. 1

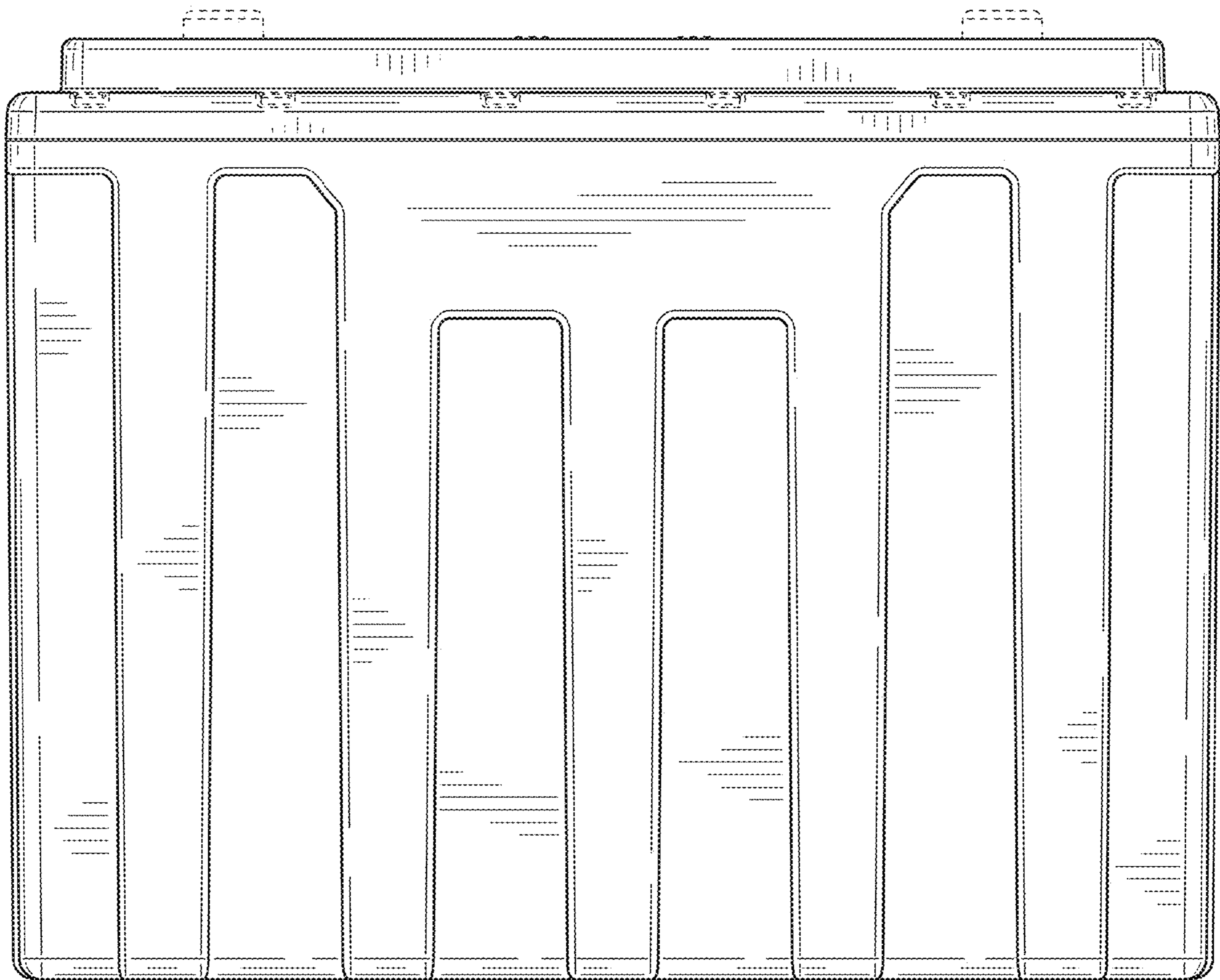


FIG. 2

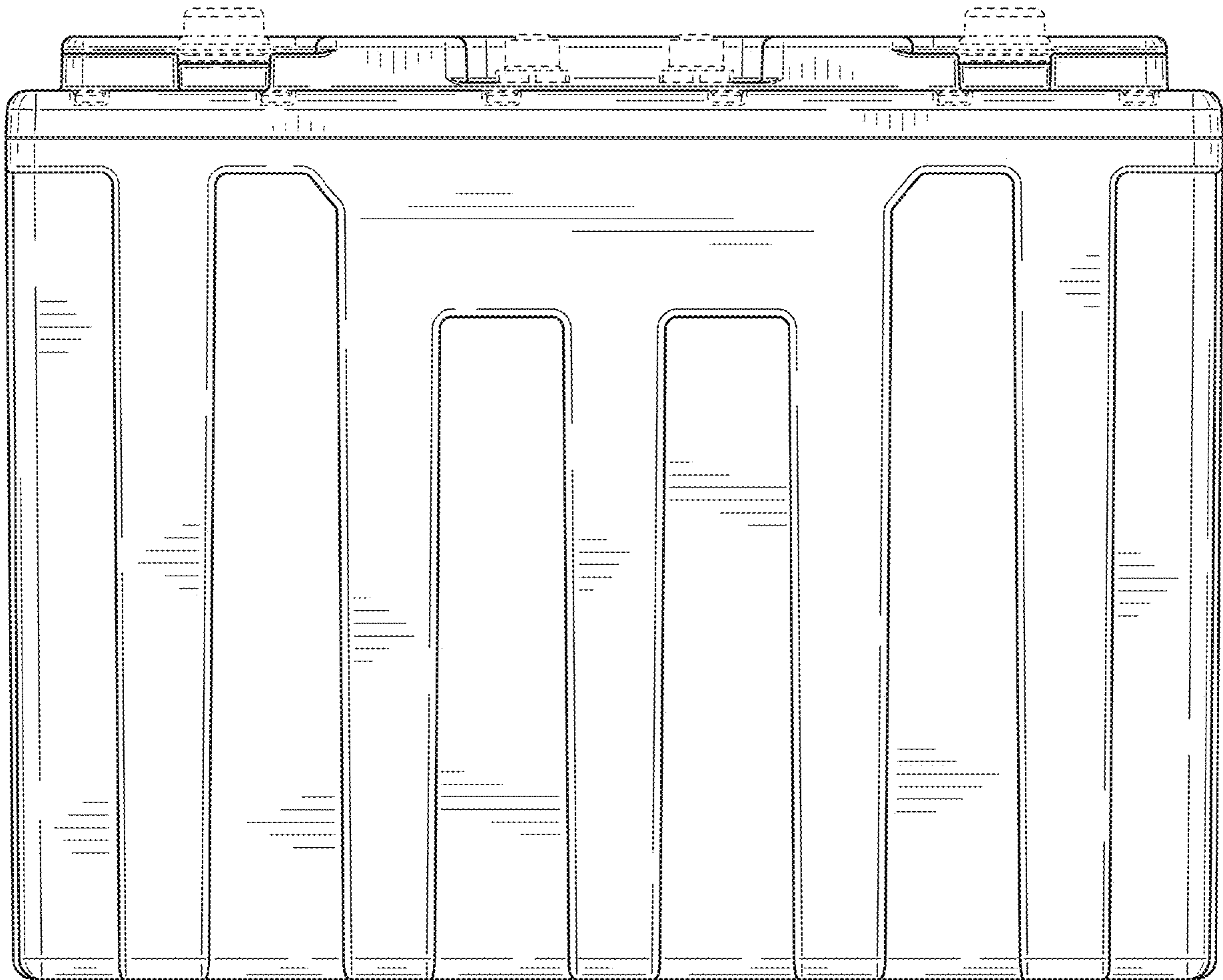


FIG. 3

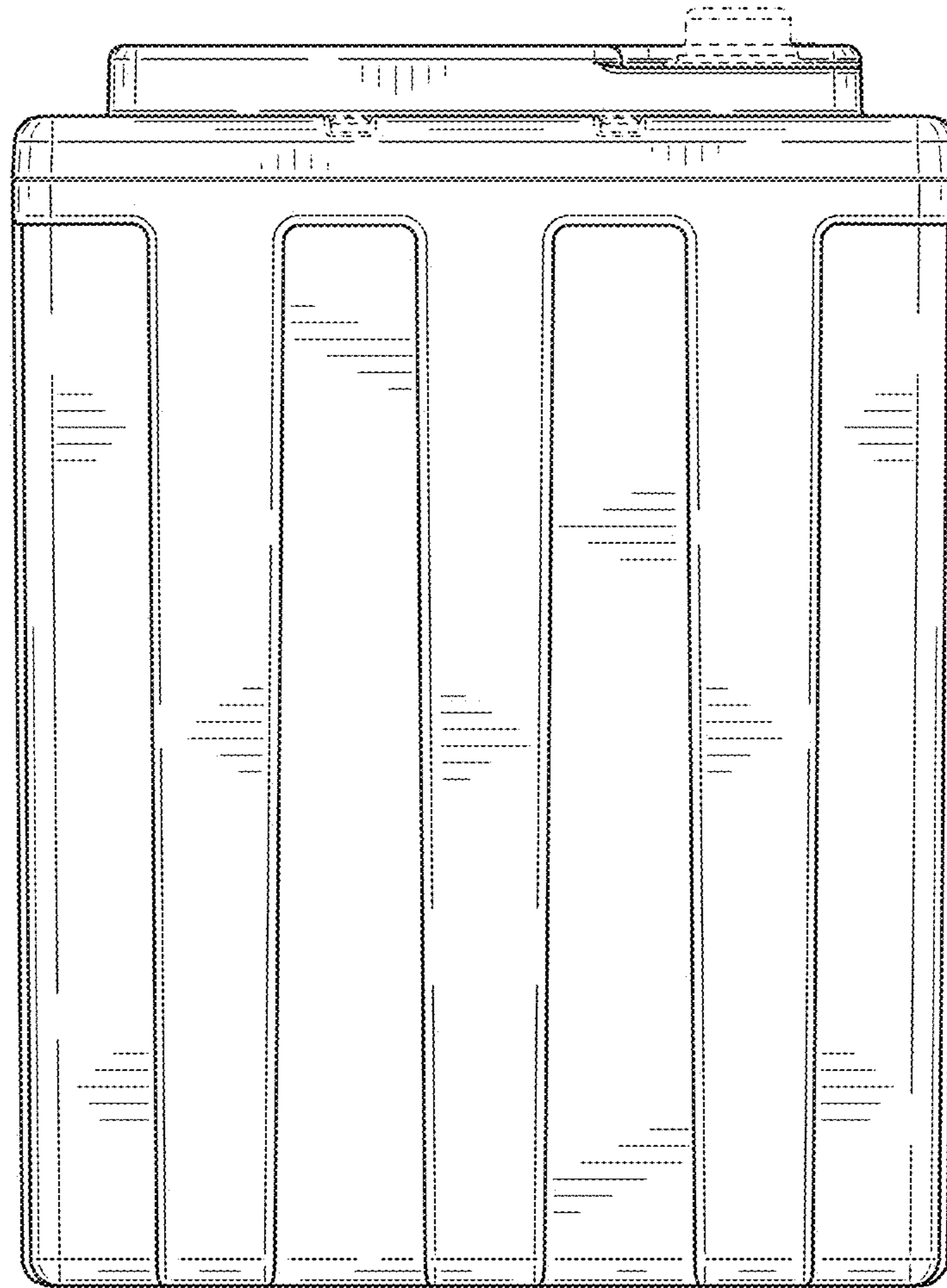


FIG. 4

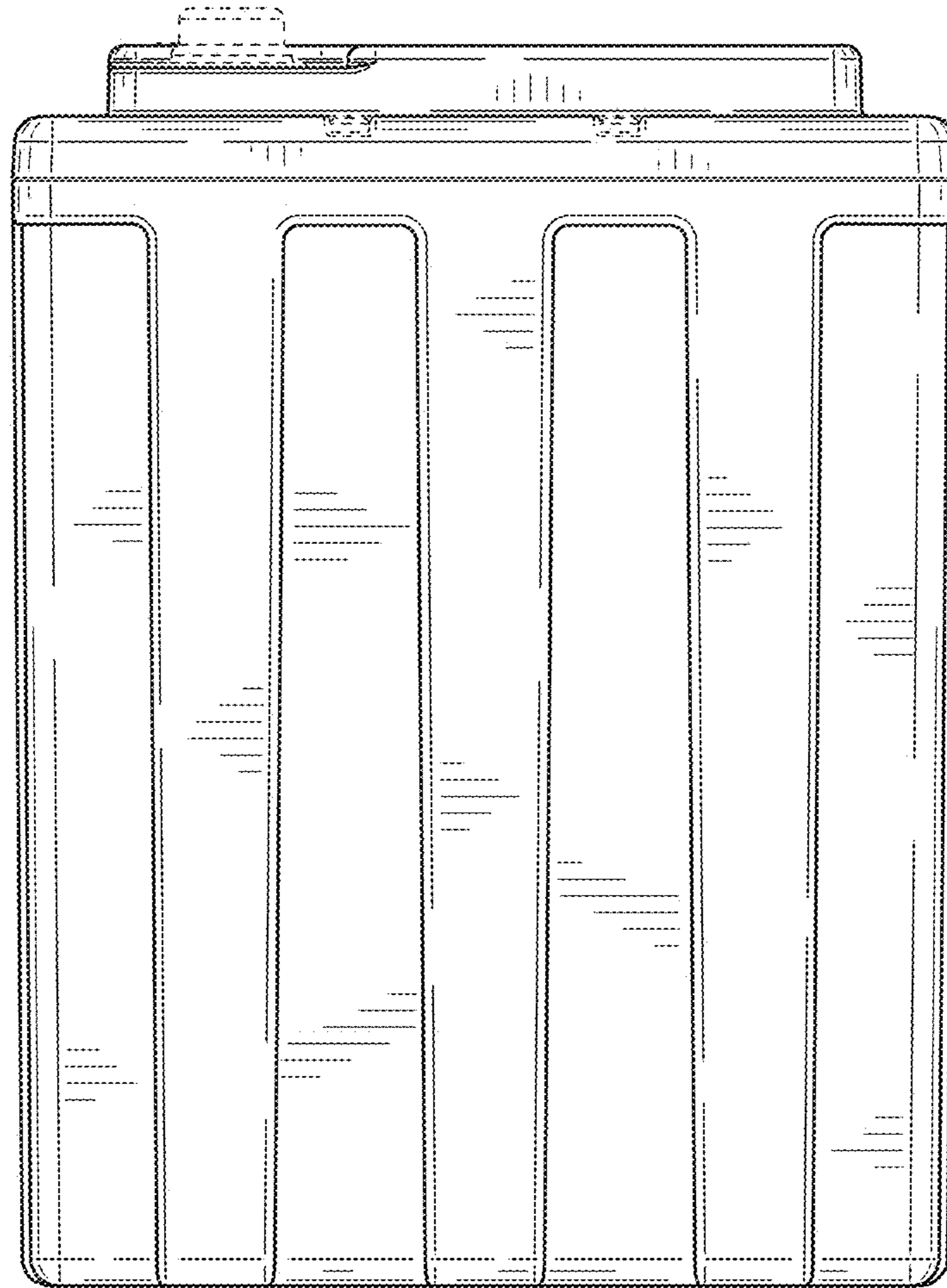


FIG. 5

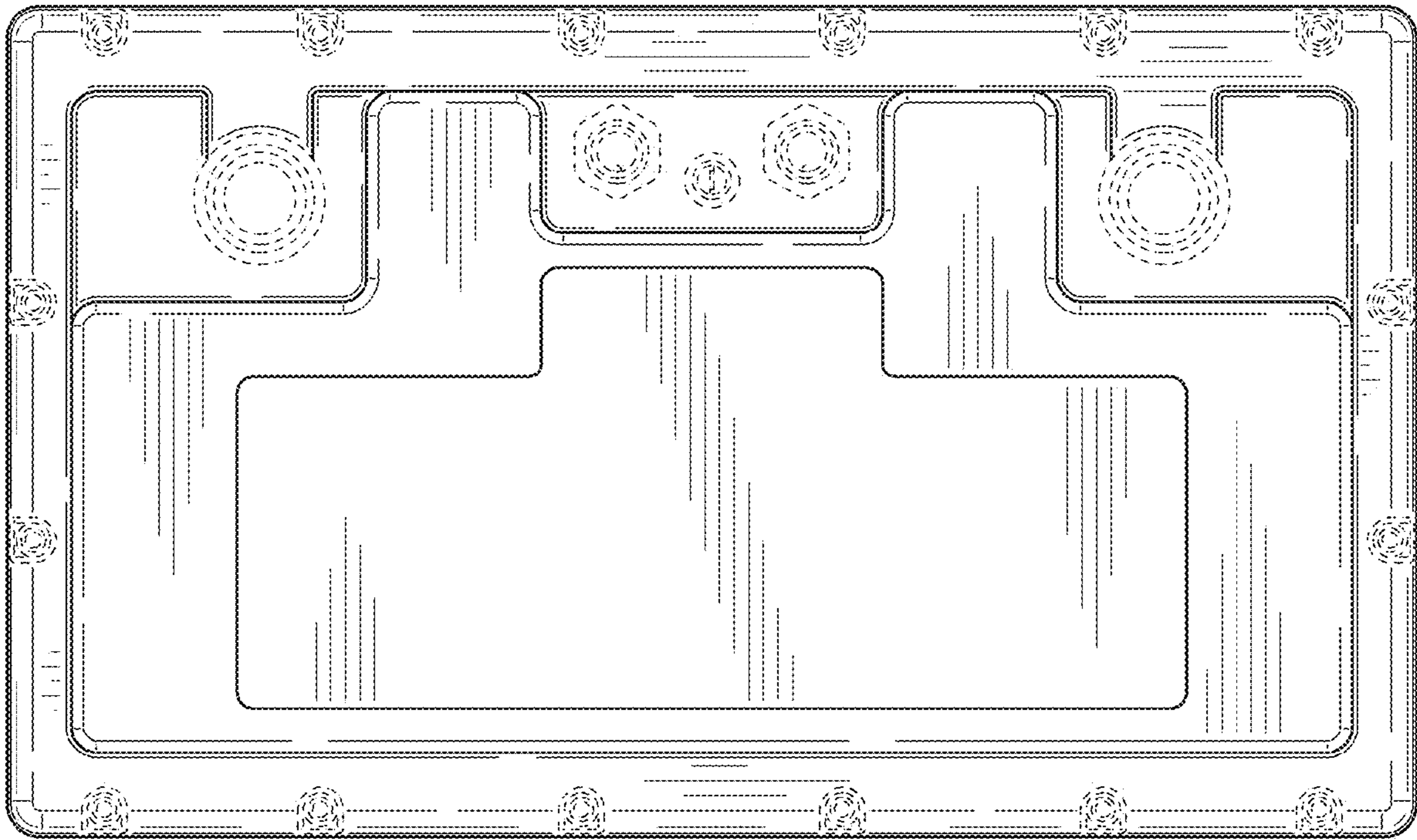


FIG . 6