



US00D911932S

(12) **United States Design Patent**
Ensing et al.

(10) **Patent No.:** **US D911,932 S**
(45) **Date of Patent:** **** Mar. 2, 2021**

- (54) **RECHARGEABLE BATTERY**
- (71) Applicant: **Theragun, Inc.**, Beverly Hills, CA (US)
- (72) Inventors: **Geert Ensing**, Shanghai (CN); **Michael Waldron**, Dunnington (GB)
- (73) Assignee: **THERAGUN, INC.**, Beverly Hills, CA (US)
- (**) Term: **15 Years**
- (21) Appl. No.: **29/715,953**
- (22) Filed: **Dec. 5, 2019**

Related U.S. Application Data

- (62) Division of application No. 29/619,833, filed on Oct. 2, 2017, now Pat. No. Des. 869,387.
- (51) **LOC (13) Cl.** **13-02**
- (52) **U.S. Cl.**
USPC **D13/103**
- (58) **Field of Classification Search**
USPC D13/102-110, 118, 119, 184, 199
CPC Y02E 60/12; Y02E 60/122; Y02E 60/124;
Y02E 60/50; H01M 2/02; H01M 2/022;
H01M 2/0202; H01M 2/0207; H01M
2/0212; H01M 2/1061; H01M 2/1022;
H01M 2/1055; H01M 2/1066; H01M
2/105; H01M 2/204; H01M 2/10; H01M
10/4257; H01M 10/0436; H01M 10/48;
H01M 10/44; H01M 10/46; H01M
10/425; H01M 2200/30; H01M 2250/30;
H01M 2250/40; H02J 7/00; H02J 7/0003;
H02J 7/0011; H02J 7/0013; H02J 7/0054;
H02J 7/0055; H02J 7/0057; H02J 7/0034;
H02J 7/1423; H02J 7/025; H02J 7/0042;
H02J 7/0044; H02J 7/0045; H02G 15/18;
H02G 15/1826; H01R 13/516; H01R
13/518; H01R 13/52; H01R 13/46; H01R
13/50; H01R 13/506; H01R 13/5213;

H01R 13/6675; Y02T 10/7005; Y02T
10/705; Y02T 10/7088

See application file for complete search history.

(56) **References Cited**

U.S. PATENT DOCUMENTS

D313,391 S *	1/1991	Pudwill	D13/103
D321,338 S ‡	11/1991	Sakamoto	D13/103
D323,642 S *	2/1992	Liao	D13/103

(Continued)

OTHER PUBLICATIONS

Amazon.com: Energup Upgraded 2 Pack 12V 2500mAh Replacement . . . Date First Available on Amazon of Jul. 20, 2017. Retrieved from the internet at <https://www.amazon.com/dp/B0744CV97H/>;, Sep. 6, 2019, 1 page. (Year: 2017).‡

Primary Examiner — Rosemary K Tarcza

Assistant Examiner — Christy M Nemeth

(74) *Attorney, Agent, or Firm* — Jeffer Mangels Butler & Mitchell LLP; Brennan C. Swain, Esq.

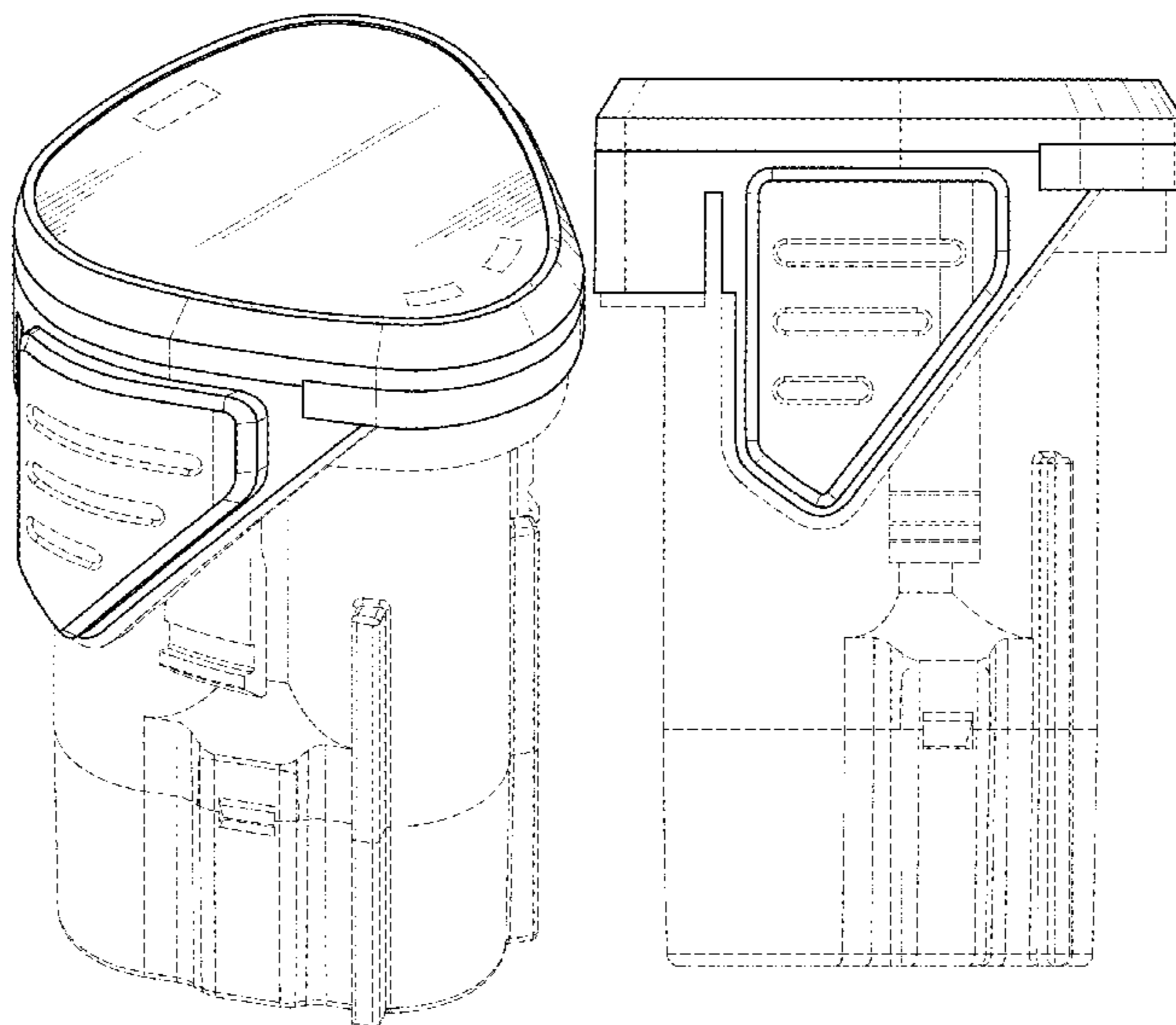
(57) **CLAIM**

The ornamental design for a rechargeable battery, as shown and described.

DESCRIPTION

FIG. 1 is a perspective view of a rechargeable battery of our new design;
FIG. 2 is a front elevational view thereof;
FIG. 3 is a rear elevational view thereof;
FIG. 4 is a right side elevational view, the left side elevational view being a mirror image thereof;
FIG. 5 is a top plan view thereof; and,
FIG. 6 is a bottom plan view thereof.
The broken lines in the drawings are for the purpose of illustrating portions of the rechargeable battery that form no part of the claimed design.

1 Claim, 6 Drawing Sheets



(56)

References Cited

U.S. PATENT DOCUMENTS

D345,727 S * 4/1994 Flowers D13/103
 D383,435 S ‡ 9/1997 Svetlik D13/103
 D384,639 S ‡ 10/1997 Kawakami D13/103
 D412,485 S ‡ 8/1999 Kato D13/103
 D417,648 S ‡ 12/1999 Clowers D13/103
 6,007,939 A ‡ 12/1999 Clowers B25F 5/00
 429/100
 D432,077 S ‡ 10/2000 Zurwelle D13/103
 D466,863 S ‡ 12/2002 Zurwelle D13/119
 D474,445 S ‡ 5/2003 Matsuoka D13/103
 D488,774 S ‡ 4/2004 Zufall D13/103
 D504,111 S ‡ 4/2005 Ozawa D13/103
 D504,394 S ‡ 4/2005 Cheung D13/103
 D528,975 S * 9/2006 Chi D13/103
 D530,270 S ‡ 10/2006 Ozawa D13/103
 D544,436 S ‡ 6/2007 Kawahara D13/103
 D547,264 S * 7/2007 Kondo D13/103
 D553,562 S ‡ 10/2007 Okada D13/103

D579,868 S ‡ 11/2008 Harrison D13/103
 D580,353 S ‡ 11/2008 Harrison D13/103
 D590,333 S ‡ 4/2009 Price D13/103
 D597,482 S * 8/2009 Kondo D13/103
 D598,844 S ‡ 8/2009 Harrison D13/103
 D603,331 S ‡ 11/2009 Schupp D13/103
 D622,660 S ‡ 8/2010 Taniguchi D13/103
 7,799,448 B2 ‡ 9/2010 Cruise H01M 2/1022
 429/7
 7,953,965 B2 ‡ 5/2011 Qin G06F 9/4401
 713/1
 8,383,263 B2 ‡ 2/2013 Cruise H01M 2/1022
 429/163
 D682,195 S * 5/2013 Aglassinger D13/103
 D699,672 S * 2/2014 Kosugi D13/103
 9,871,370 B2 ‡ 1/2018 Friedman H02H 3/087
 D817,869 S * 5/2018 Lee D13/103
 D818,949 S * 5/2018 Dunkin D13/103
 D823,247 S * 7/2018 Lemelson D13/108
 D869,387 S * 12/2019 Ensing D13/103

* cited by examiner

‡ imported from a related application

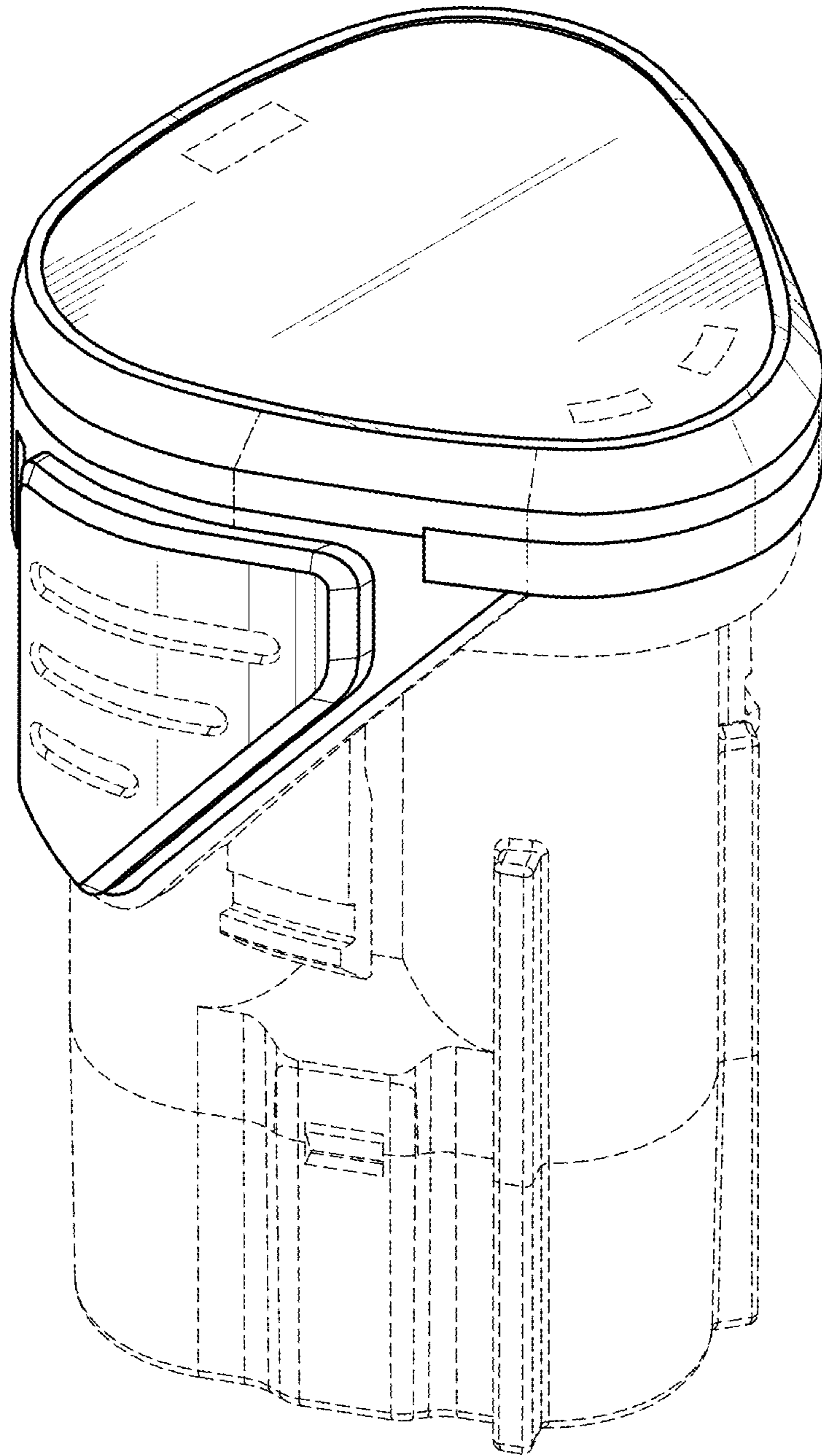


FIG. 1

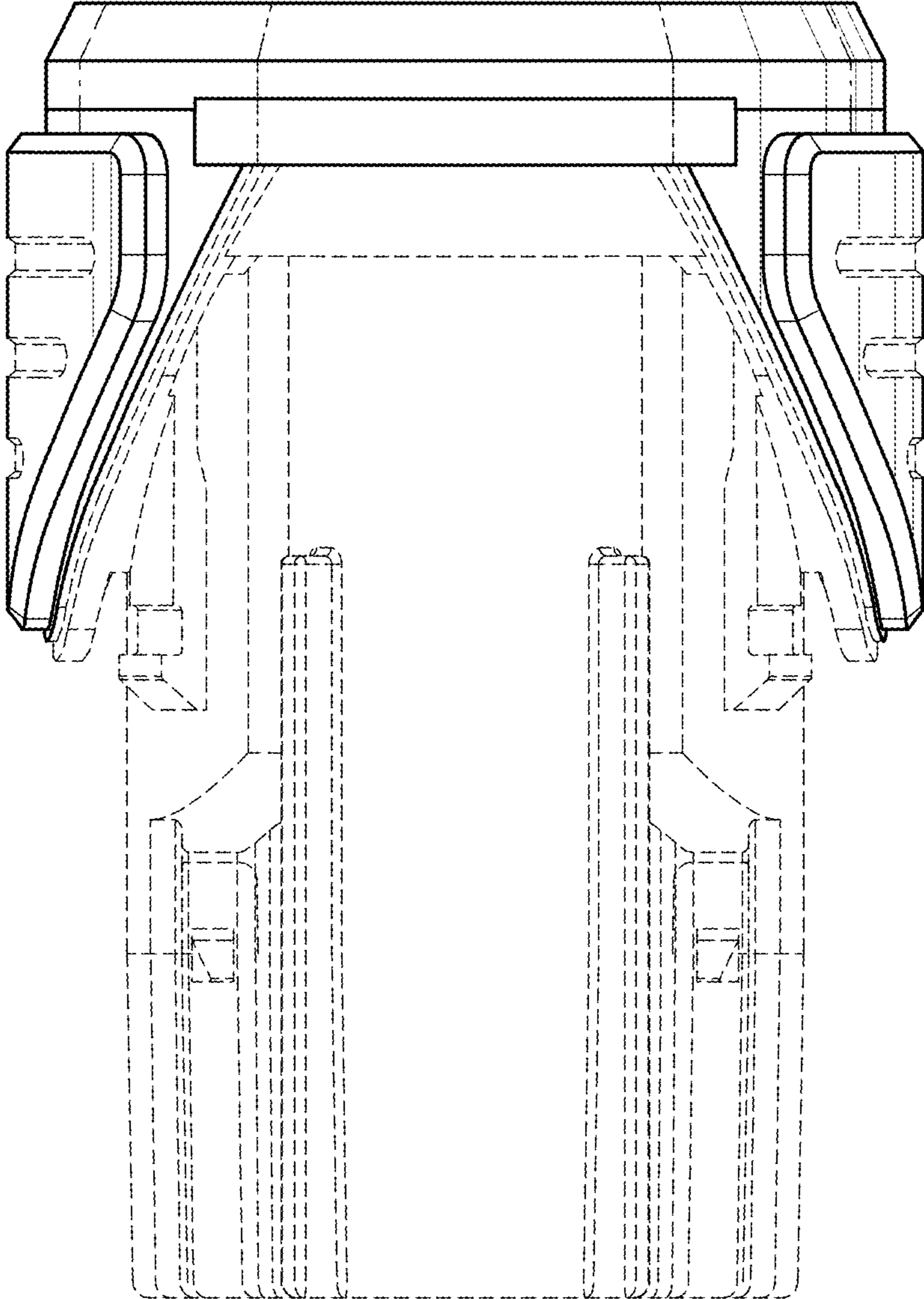


FIG. 2

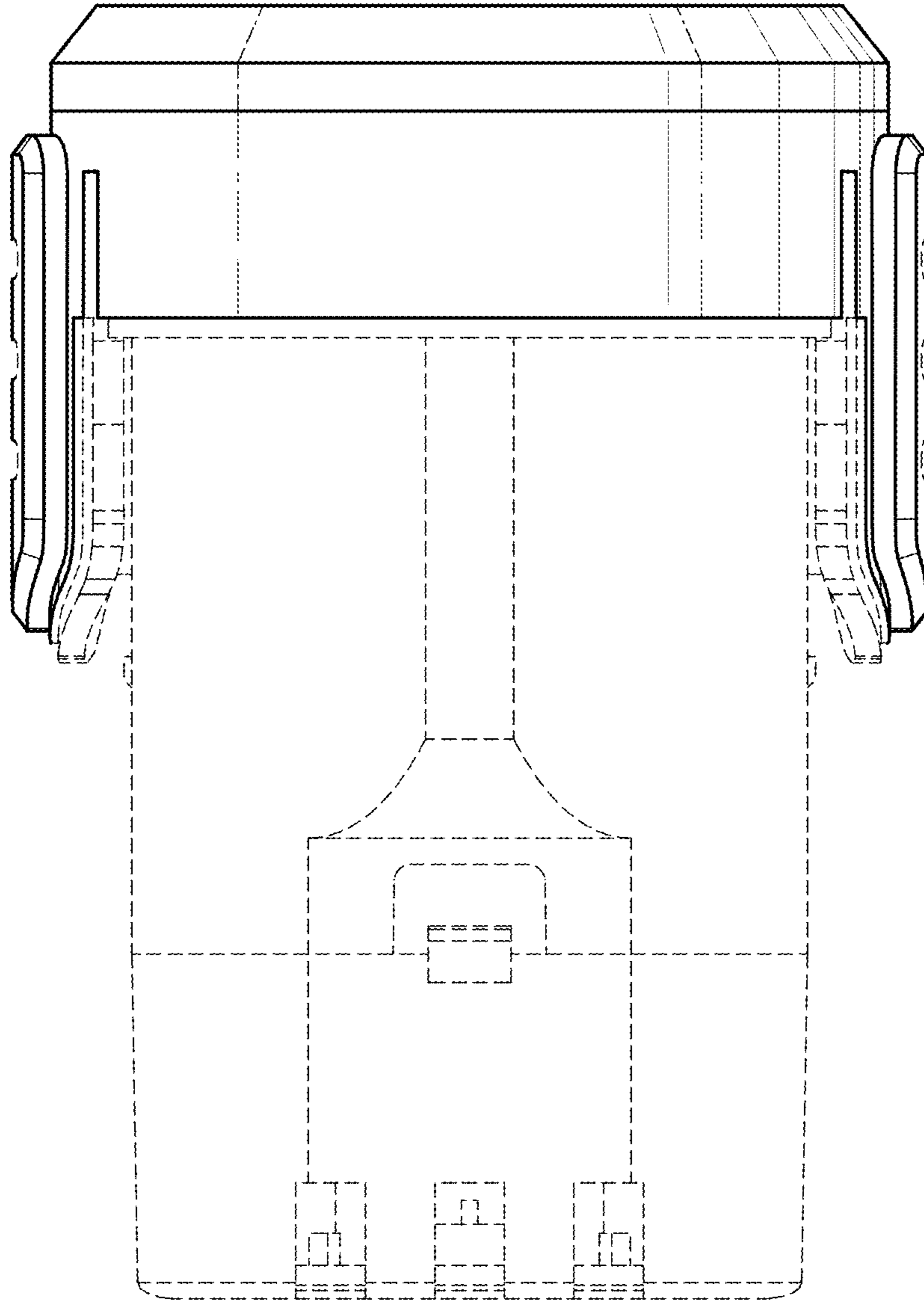


FIG. 3

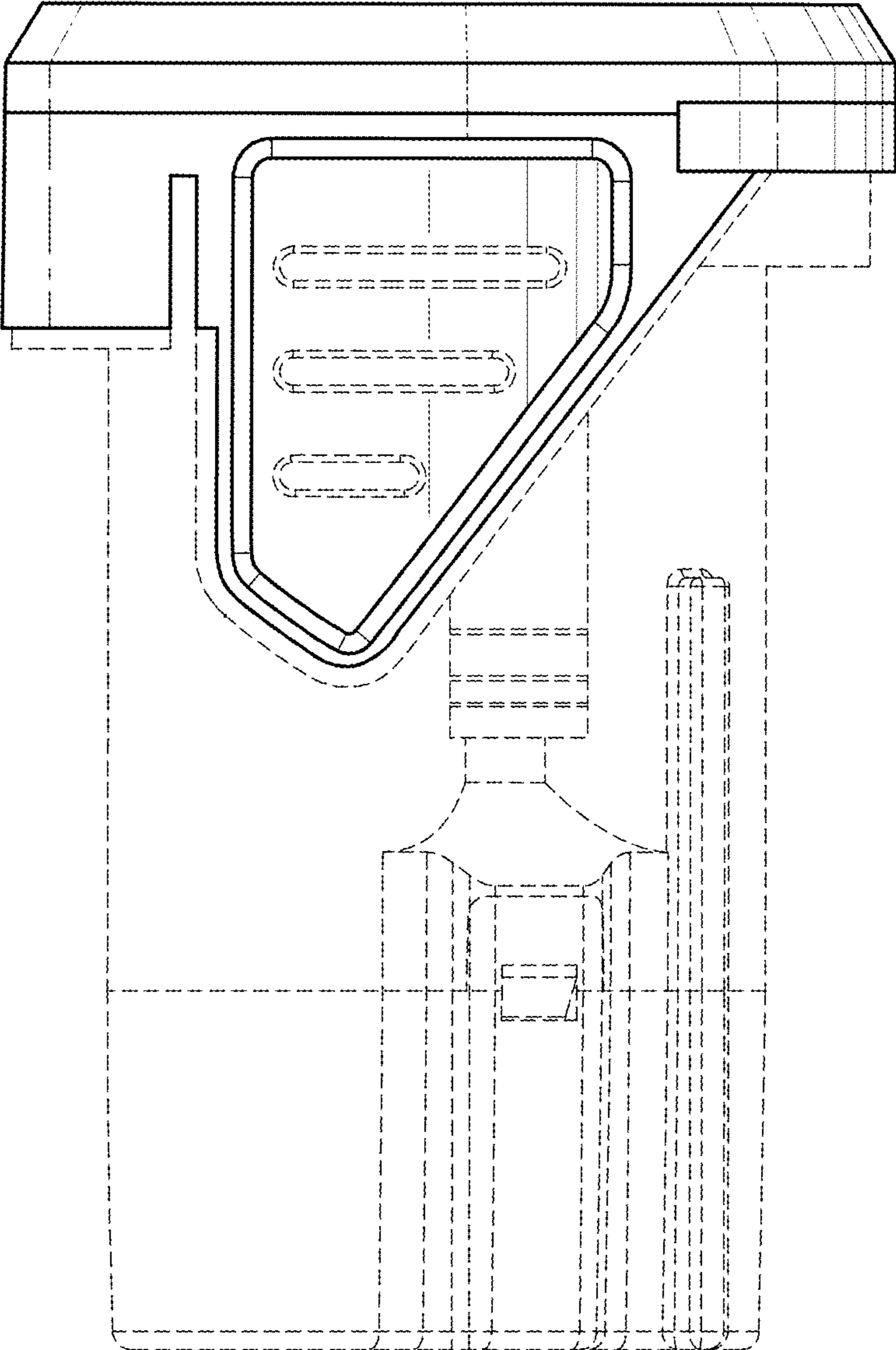


FIG. 4

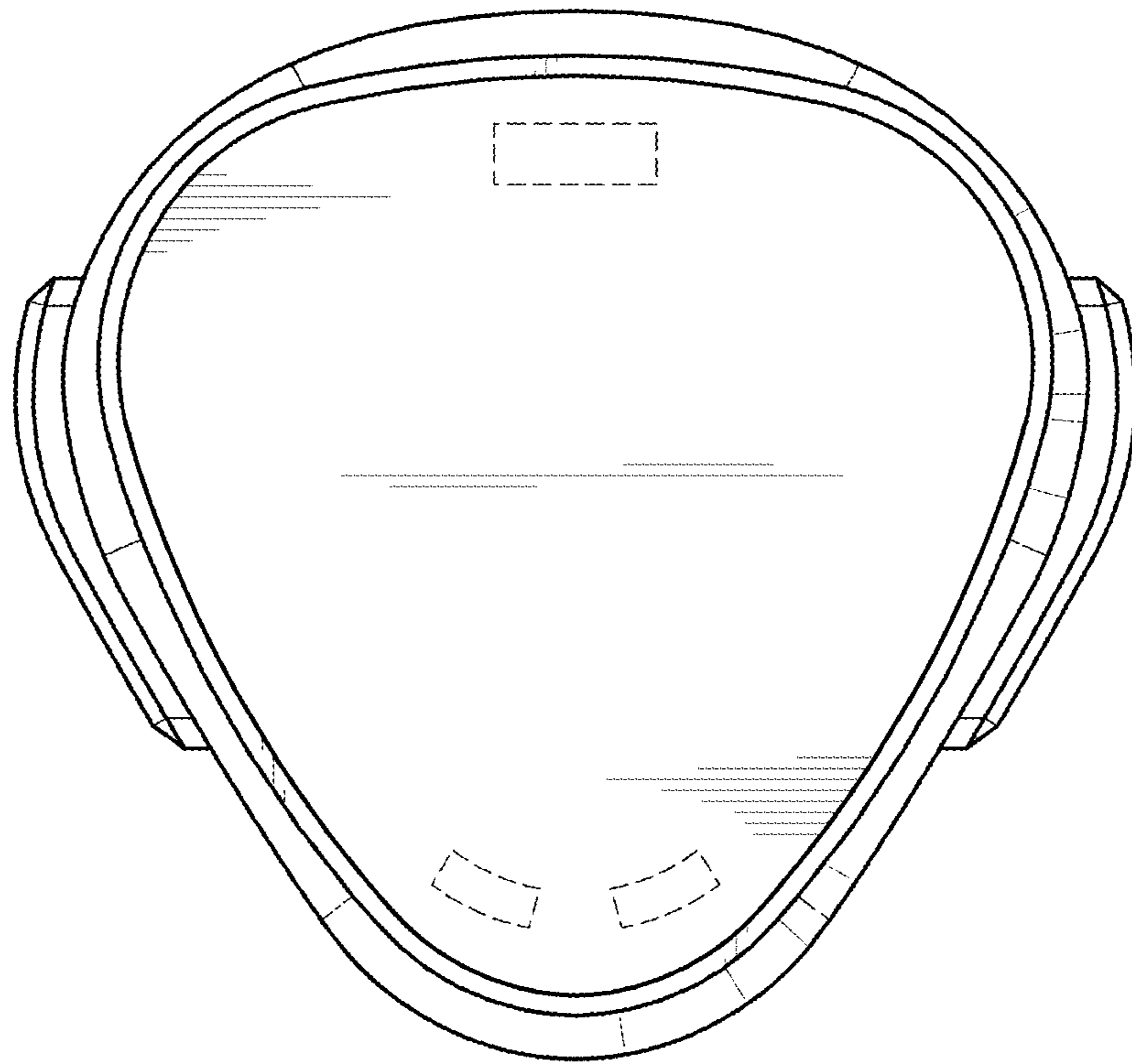


FIG. 5

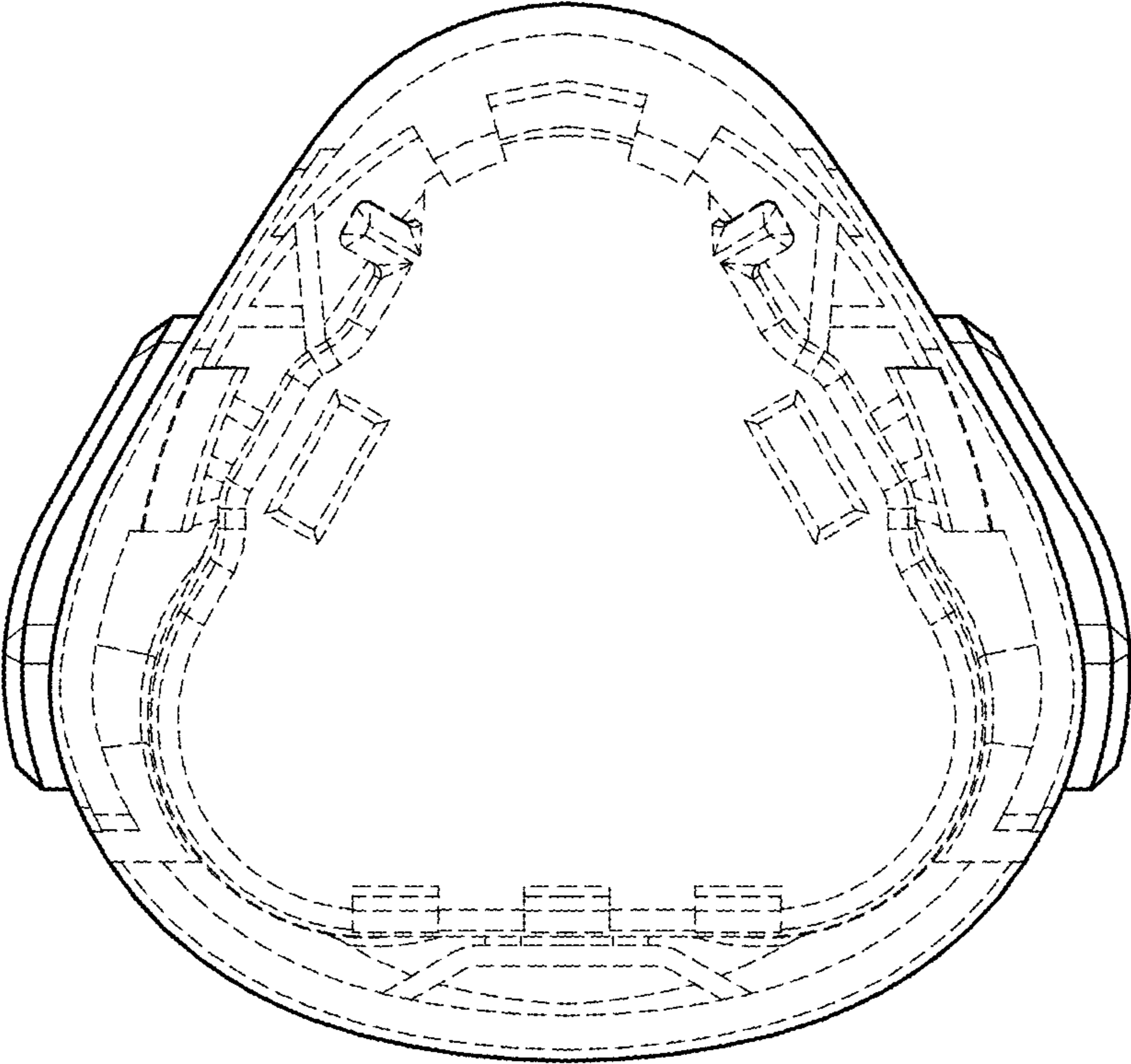


FIG. 6