



US00D911930S

(12) **United States Design Patent**
Xie

(10) **Patent No.:** **US D911,930 S**
(45) **Date of Patent:** **** Mar. 2, 2021**

(54) **BATTERY BOX**

(71) Applicant: **Huarong Xie**, Guangdong (CN)

(72) Inventor: **Huarong Xie**, Guangdong (CN)

(**) Term: **15 Years**

(21) Appl. No.: **29/702,447**

(22) Filed: **Aug. 19, 2019**

(51) **LOC (13) Cl.** **13-02**

(52) **U.S. Cl.**
USPC **D13/103**

(58) **Field of Classification Search**

USPC D13/102–108, 110, 118, 119, 184, 199
CPC Y02E 60/10; Y02E 60/12; Y02E 60/122;
Y02E 60/124; Y02E 60/50; H01M 2/02;
H01M 2/022; H01M 2/0202; H01M
2/0207; H01M 2/0212; H01M 2/1061;
H01M 2/1022; H01M 2/1055; H01M
2/1066; H01M 2/105; H01M 2/20; H01M
2/202; H01M 2/204; H01M 2/206; H01M
10/44; H01M 10/46; H01M 10/465;
H01M 10/482; H01M 10/4257; H01M
10/0436; H01M 10/48; H01M 2200/30;
H01M 2250/30; H01M 2250/40; H02J
7/00; H02J 7/0003; H02J 7/0011; H02J
7/0013; H02J 7/0054; H02J 7/0055; H02J
7/0057; H02J 2007/0062; H02G 15/18;
H02G 15/1826; H01R 13/516; H01R
13/518; H01R 13/52; H01R 13/46; H01R
13/50; H01R 13/506; H01R 13/5213

See application file for complete search history.

(56) **References Cited**

U.S. PATENT DOCUMENTS

D532,758 S * 11/2006 Shimodaira D13/184
D759,590 S * 6/2016 Wang D13/119

D777,104 S * 1/2017 Liu D13/119
D821,968 S * 7/2018 Zhao D13/103
D823,788 S * 7/2018 Wei D13/103
D825,464 S * 8/2018 Xie D13/119
D825,465 S * 8/2018 Deng D13/119
D853,320 S * 7/2019 Guo D13/103
D861,605 S * 10/2019 Yang D13/119
D861,606 S * 10/2019 Yang D13/119
D881,812 S * 4/2020 Yang D13/119
D883,196 S * 5/2020 Chen D13/103
D885,326 S * 5/2020 Zhang D13/103
D886,045 S * 6/2020 Deng D13/103
D886,738 S * 6/2020 Huang D13/119
D887,347 S * 6/2020 Wei D13/103
D890,087 S * 7/2020 Xiao D13/103

* cited by examiner

Primary Examiner — Christy Nemeth

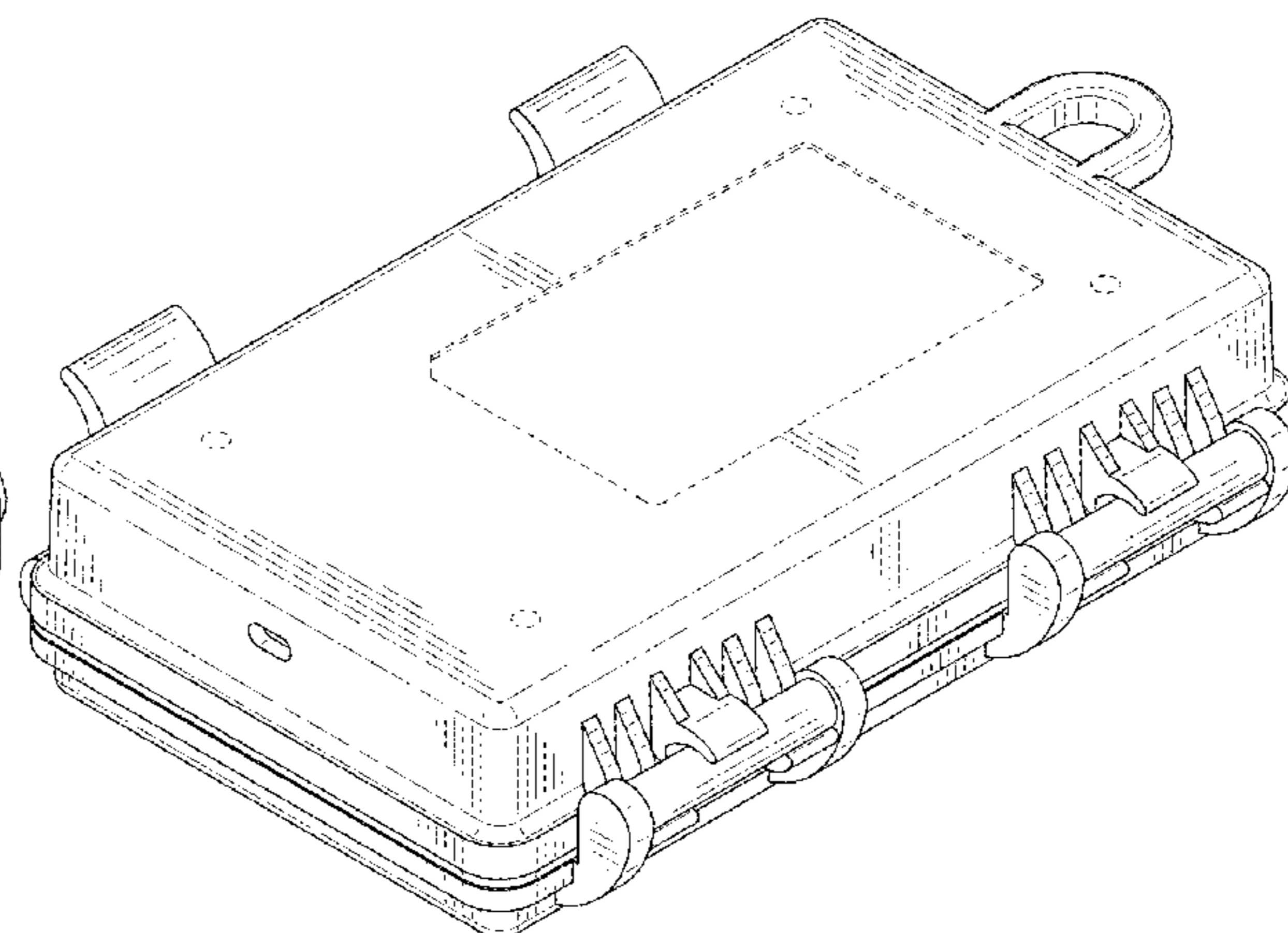
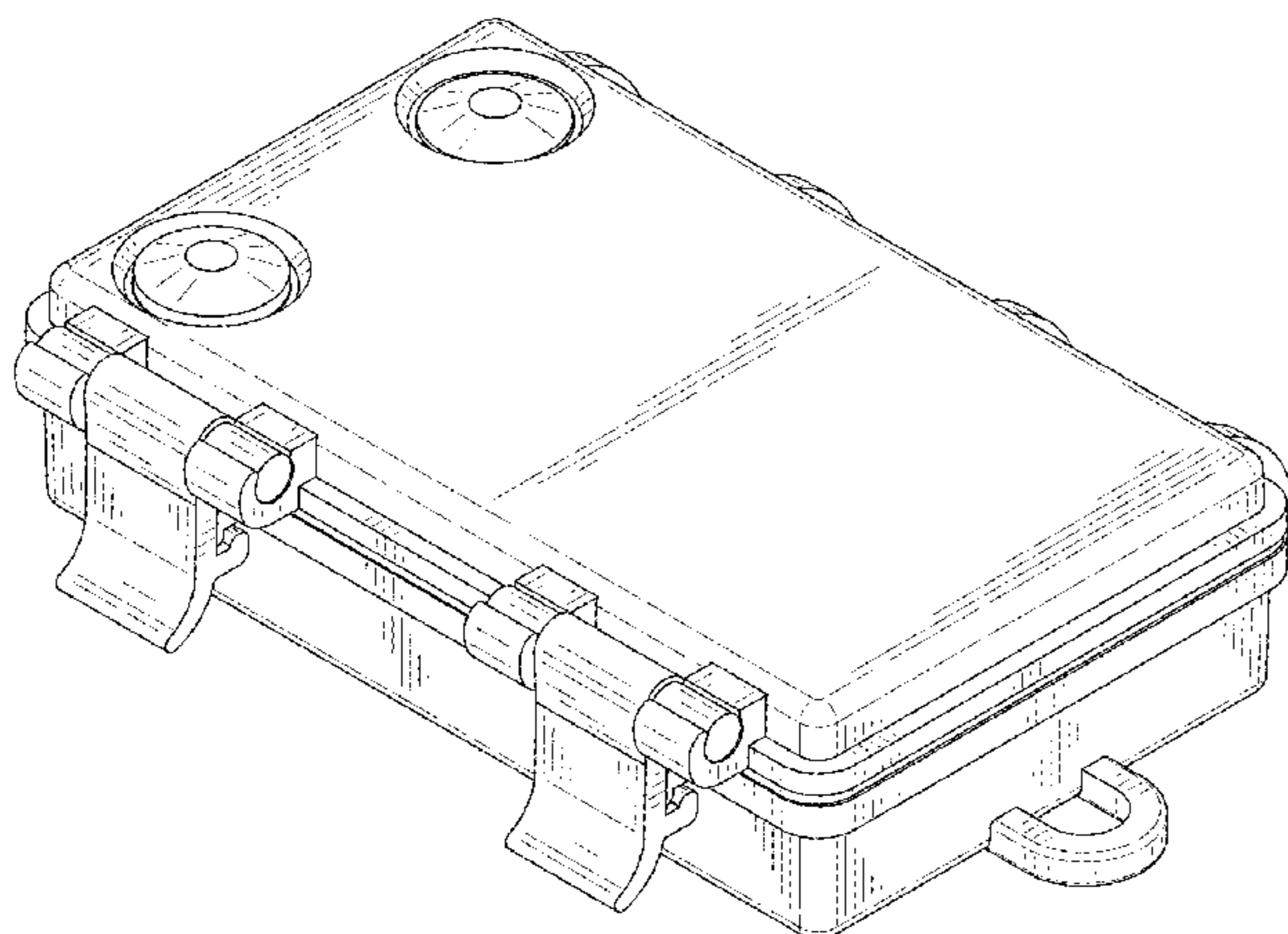
(57) **CLAIM**

The ornamental design for a battery box, as shown and described.

DESCRIPTION

FIG. 1 is a top, front and right side perspective view of a battery box of my new design, shown in a closed state; FIG. 2 is a bottom, rear and left side perspective view thereof; FIG. 3 is a front elevational view thereof; FIG. 4 is a rear elevational view thereof; FIG. 5 is a left side view thereof; FIG. 6 is a right side view thereof; FIG. 7 is a top plan view thereof; FIG. 8 is a bottom plan view thereof; and, FIG. 9 is a front and right side perspective view of the battery box, shown in an open state. The broken lines in the drawings illustrate portions of the battery box which form no part of the claimed design.

1 Claim, 9 Drawing Sheets



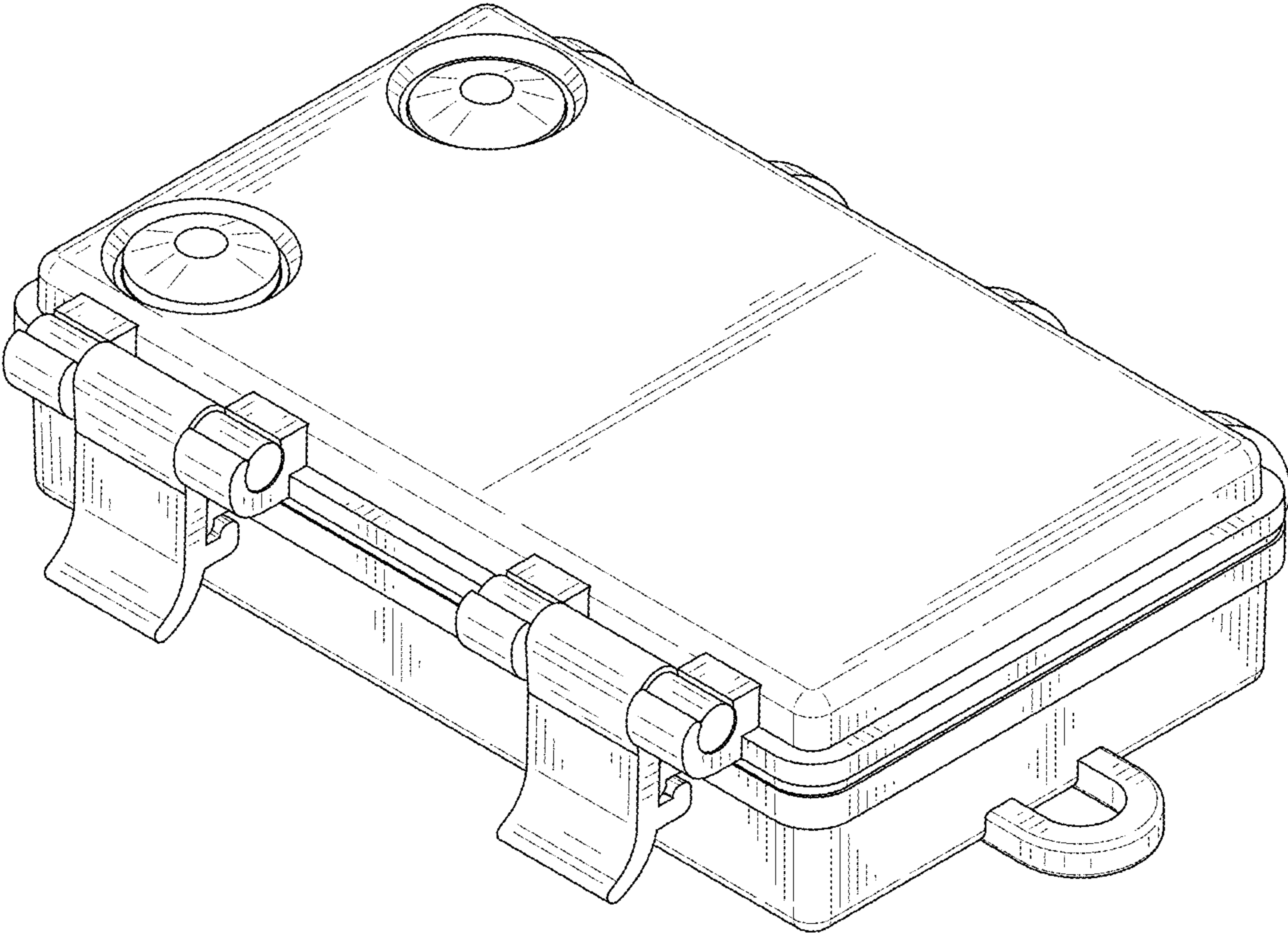


FIG. 1

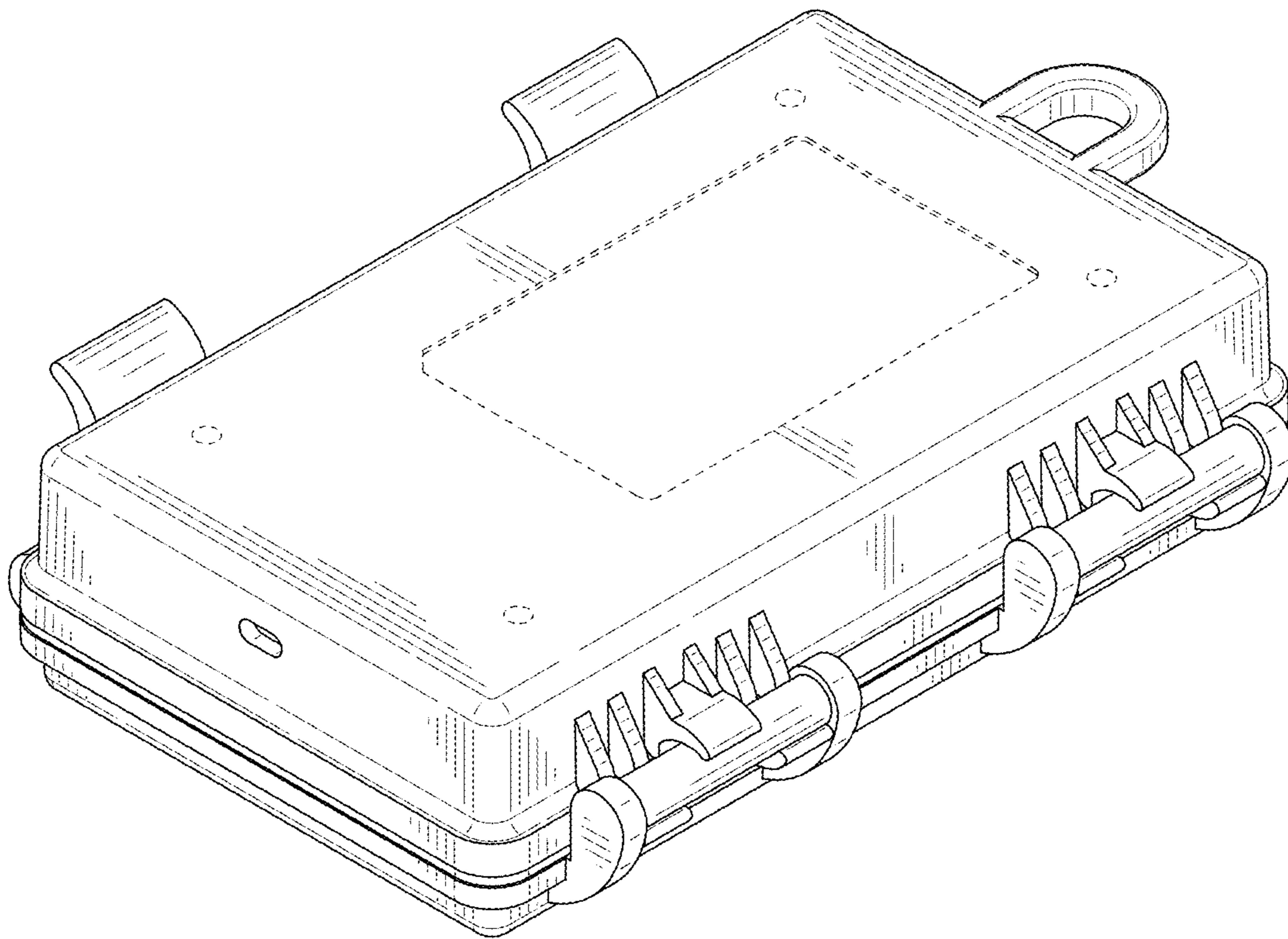


FIG. 2

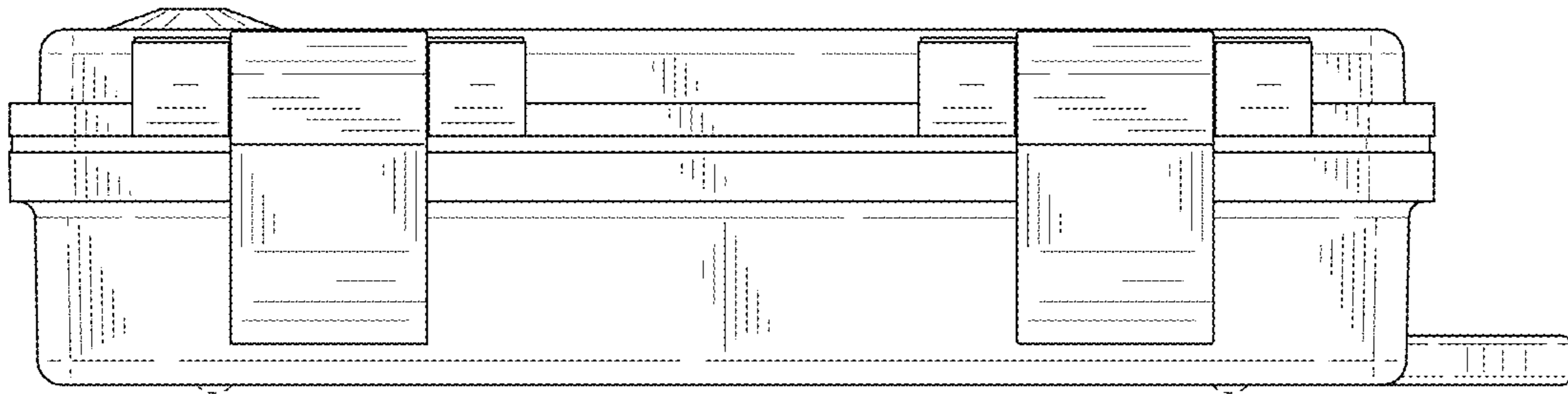


FIG. 3

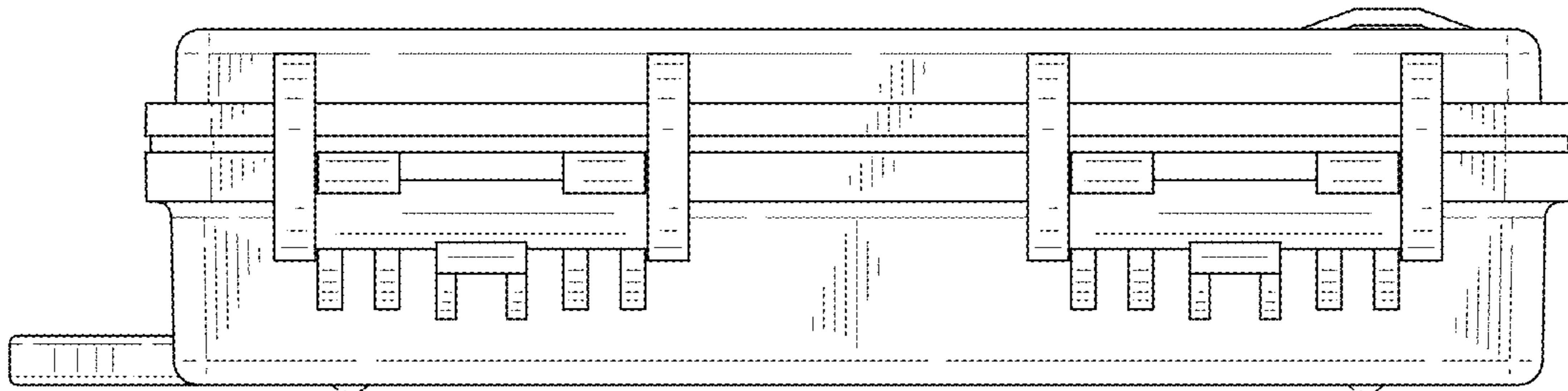


FIG. 4

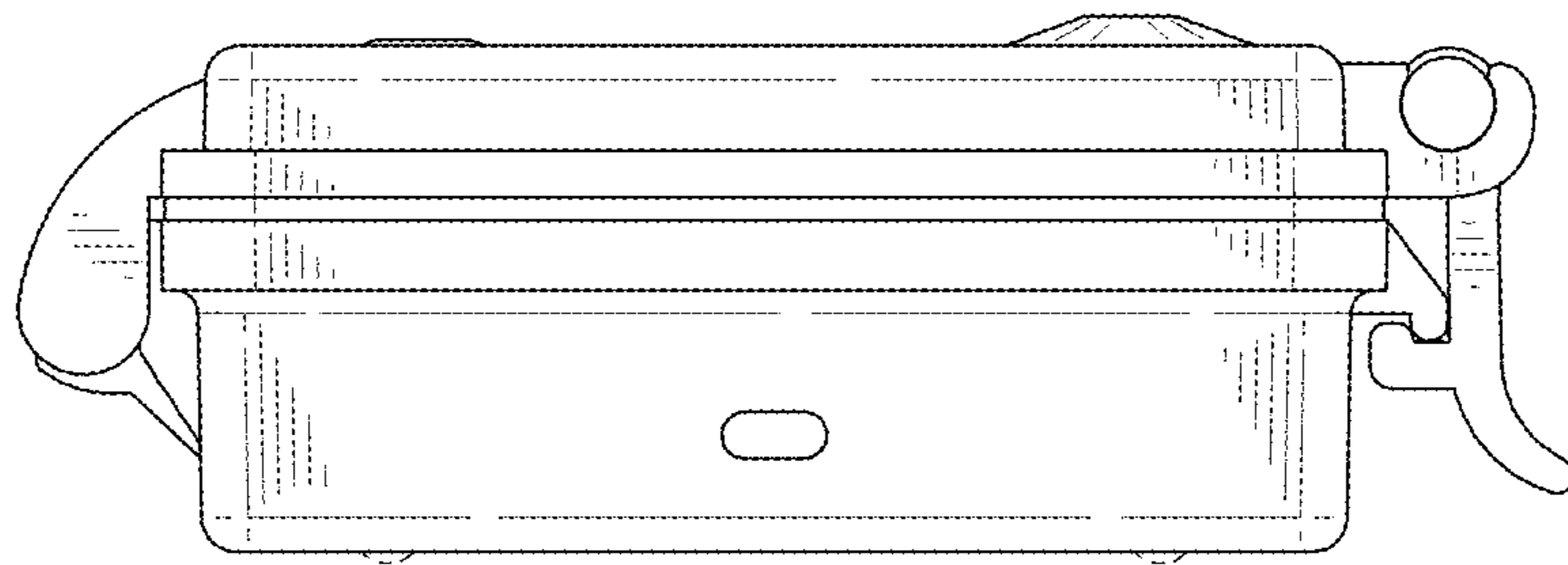


FIG. 5

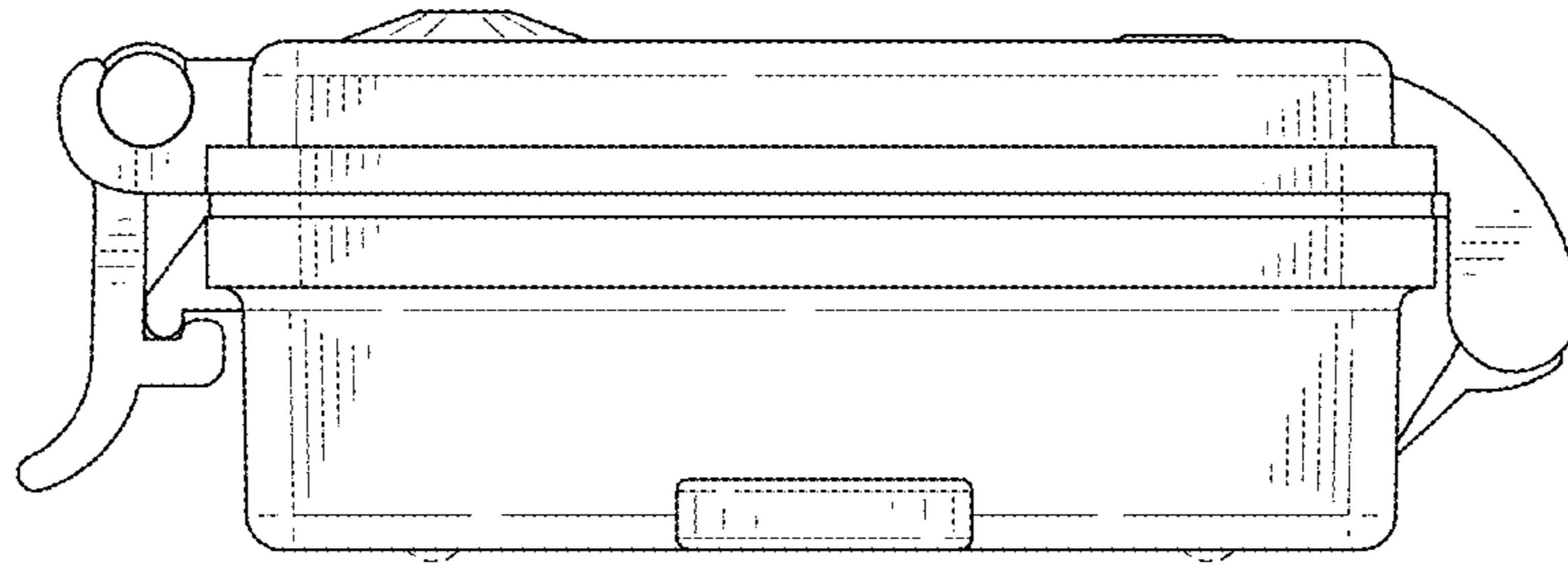


FIG. 6

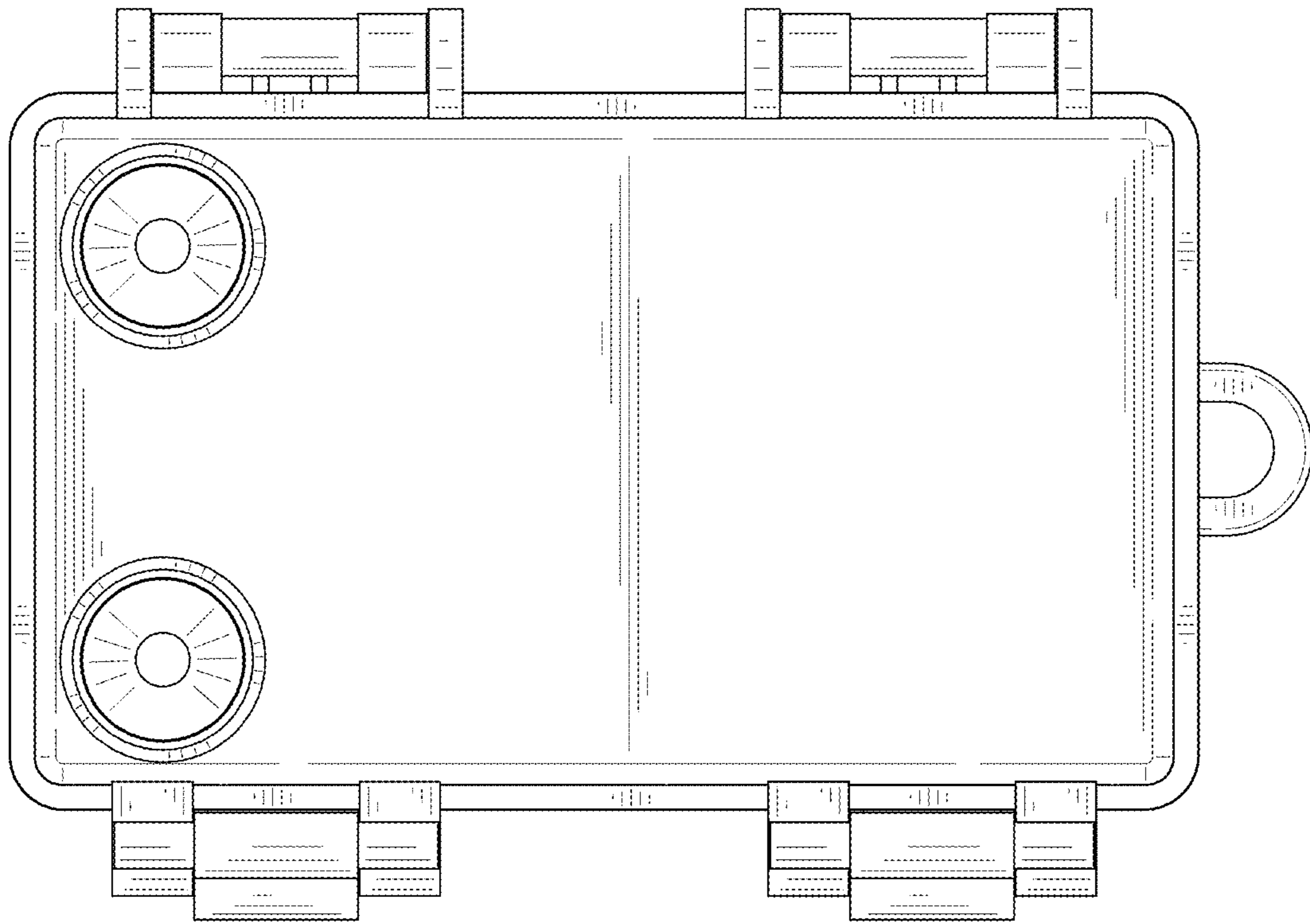


FIG. 7

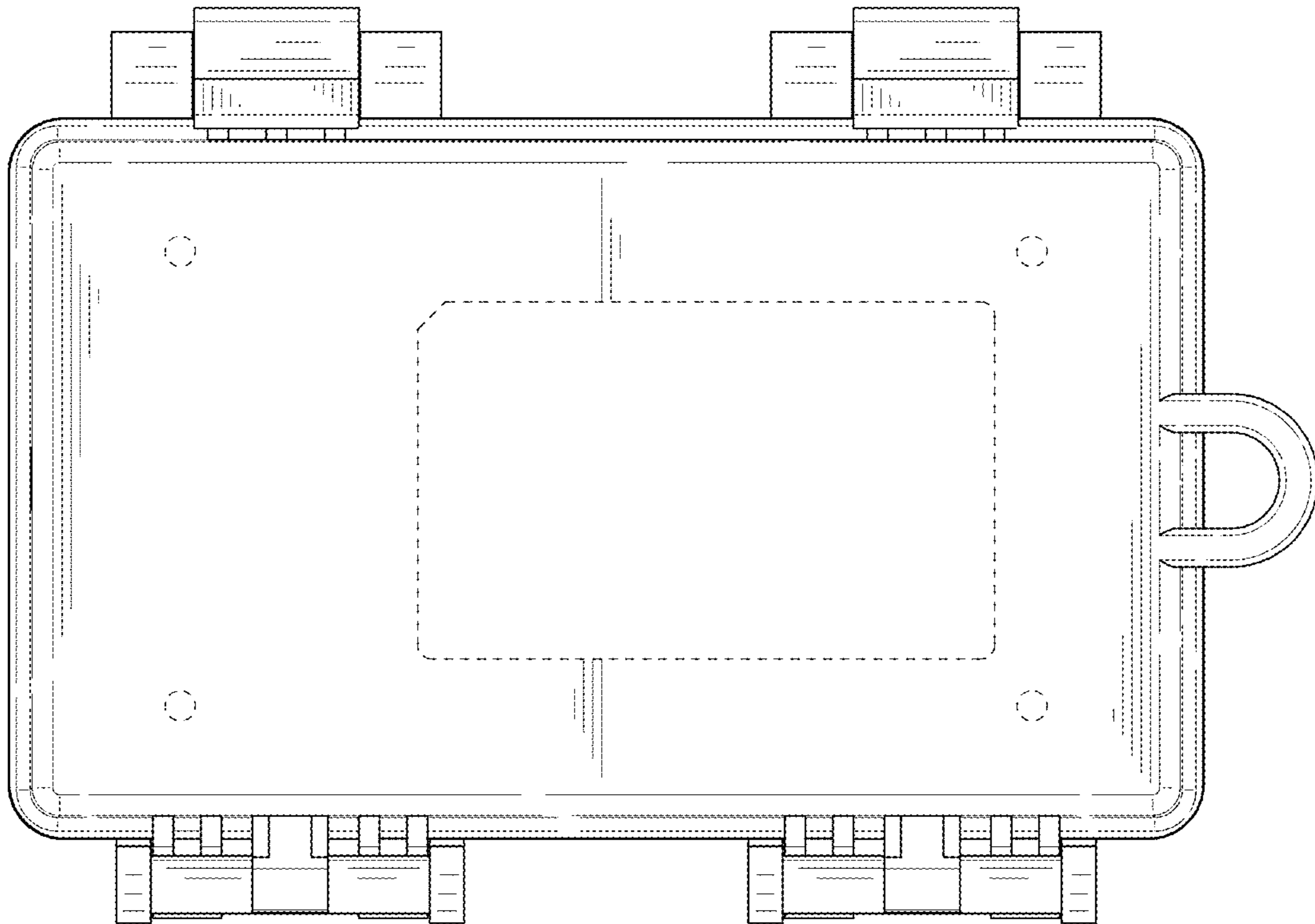


FIG. 8

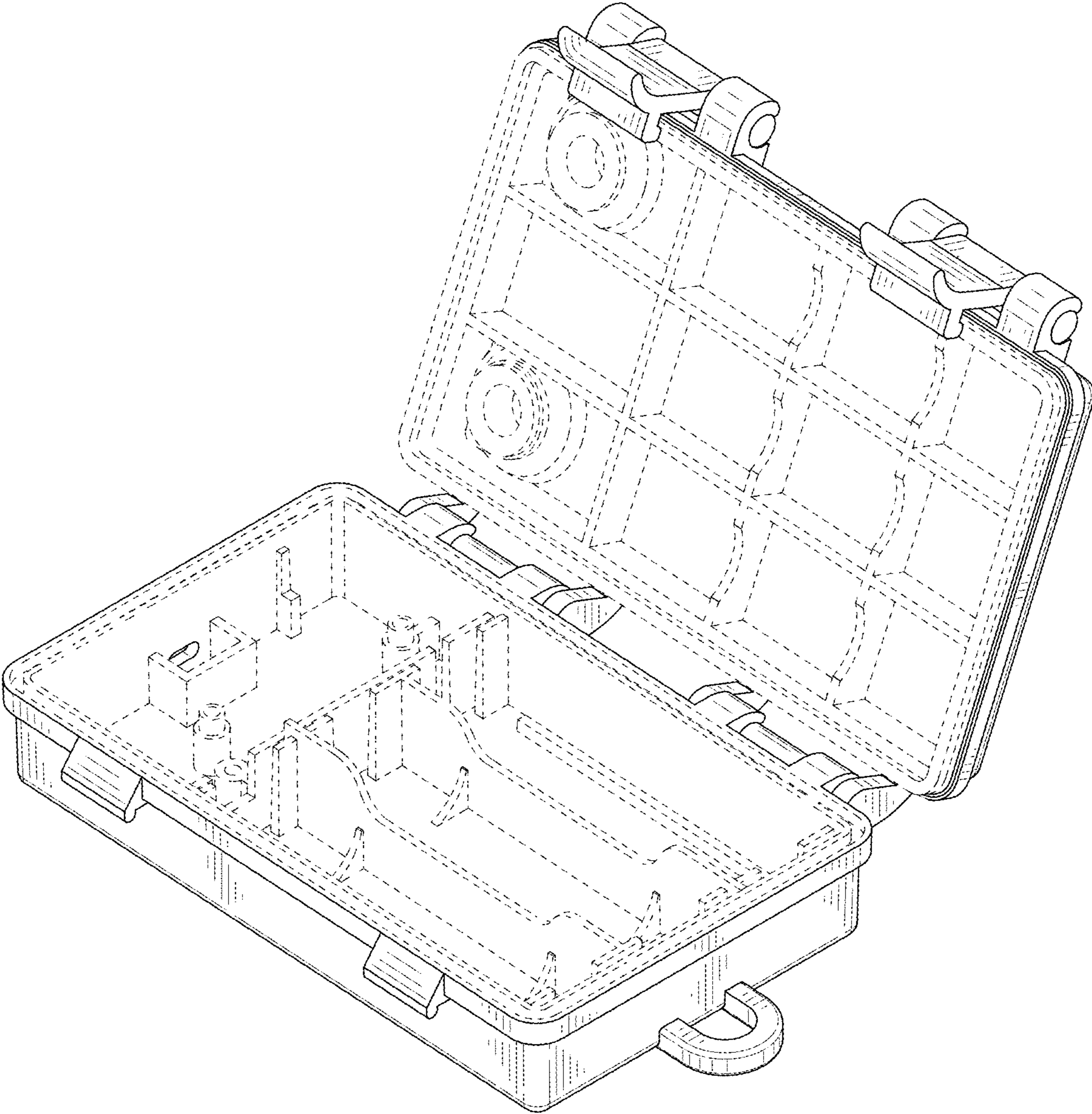


FIG. 9