



US00D911928S

(12) **United States Design Patent** (10) **Patent No.:** **US D911,928 S**
Daniels et al. (45) **Date of Patent:** **** Mar. 2, 2021**

(54) **HOUSING FOR A BATTERY**

(71) Applicants: **Micha Daniels**, Sulzbach (DE);
Alexander Erdwiens, Darmstadt (DE)

(72) Inventors: **Micha Daniels**, Sulzbach (DE);
Alexander Erdwiens, Darmstadt (DE)

(73) Assignee: **HAWIG MASCHINENFABRIK
GESELLSCHAFT MIT
BESCHRÄNKTER HAFTUNG**,
Bensheim (DE)

(**) Term: **15 Years**

(21) Appl. No.: **29/690,627**

(22) Filed: **May 9, 2019**

(30) **Foreign Application Priority Data**

Nov. 15, 2018 (EM) 005825759

(51) **LOC (13) Cl.** **13-02**

(52) **U.S. Cl.**
USPC **D13/103**

(58) **Field of Classification Search**
USPC D13/102-108, 110, 118, 119, 184, 199,
D13/154, 156

CPC Y02E 60/10; Y02E 60/12; Y02E 60/122;
Y02E 60/124; Y02E 60/50; H01M 2/02;
H01M 2/022; H01M 2/0202; H01M
2/0207; H01M 2/0212; H01M 2/1061;
H01M 2/1022; H01M 2/1055; H01M
2/1066; H01M 2/105; H01M 2/20; H01M
2/202; H01M 2/204; H01M 2/206; H01M
10/44; H01M 10/46; H01M 10/465;
H01M 10/482; H01M 10/4257; H01M
10/0436; H01M 10/48; H01M 2200/30;
H01M 2250/30; H01M 2250/40; H02J
7/00; H02J 7/0003; H02J 7/0011; H02J
7/0013; H02J 7/0054; H02J 7/0055; H02J

7/0057; H02J 2007/0062; H02G 15/18;
H02G 15/1826; H01R 13/516; H01R
13/518; H01R 13/52; H01R 13/46; H01R
13/50; H01R 13/506; H01R 13/5213

See application file for complete search history.

(56) **References Cited**

U.S. PATENT DOCUMENTS

D404,357 S *	1/1999	Foster	D13/108
D711,867 S *	8/2014	Harris	D14/253
D757,003 S *	5/2016	Goossens	D14/372
D759,018 S *	6/2016	Subramaniam	D14/434
D792,398 S *	7/2017	Costa	D14/372
D795,805 S *	8/2017	Gray	D13/110
D839,825 S *	2/2019	Tschopp	D13/108
D840,397 S *	2/2019	Li	D14/372
D875,039 S *	2/2020	Parra	D13/107

* cited by examiner

Primary Examiner — Christy Nemeth

(74) *Attorney, Agent, or Firm* — Flynn Thiel, P.C.

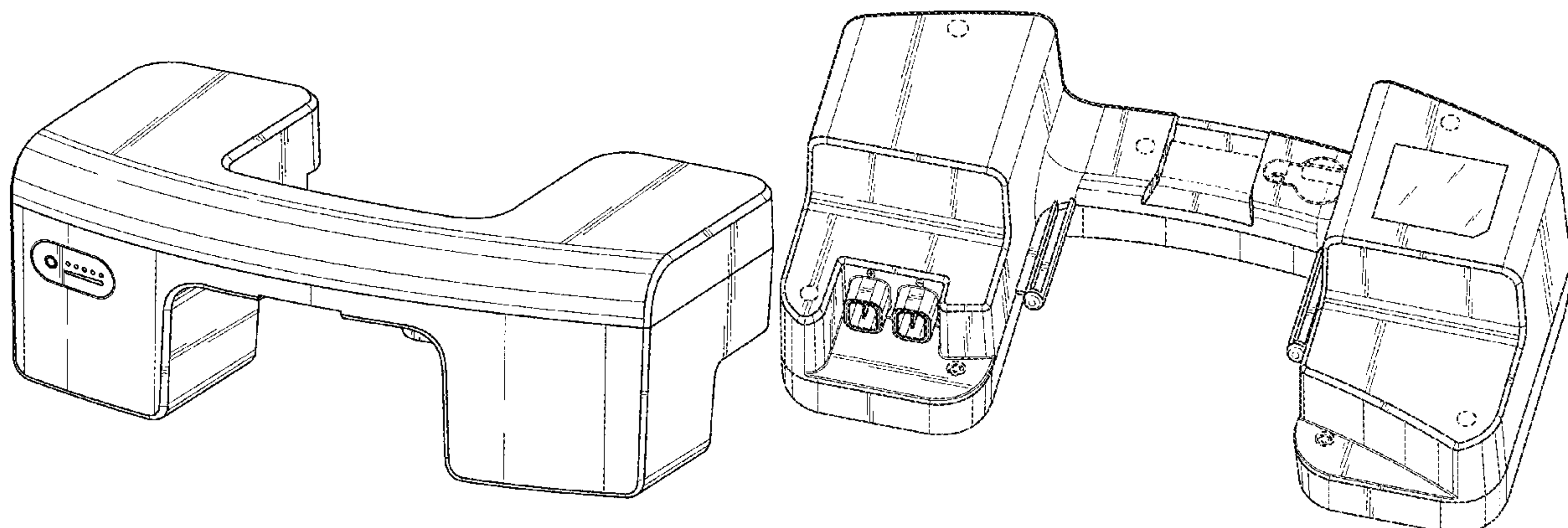
(57) **CLAIM**

The ornamental design for a housing for a battery, as shown and described.

DESCRIPTION

FIG. 1 is a front perspective view of a housing for a battery showing our new design;
FIG. 2 is a front view thereof;
FIG. 3 is a rear view thereof;
FIG. 4 is a top view thereof;
FIG. 5 is a bottom view thereof;
FIG. 6 is a bottom perspective view; and,
FIG. 7 is a left side view thereof.
The broken lines are shown for the purpose of illustrating parts of the article that form no part of the claimed design.

1 Claim, 7 Drawing Sheets



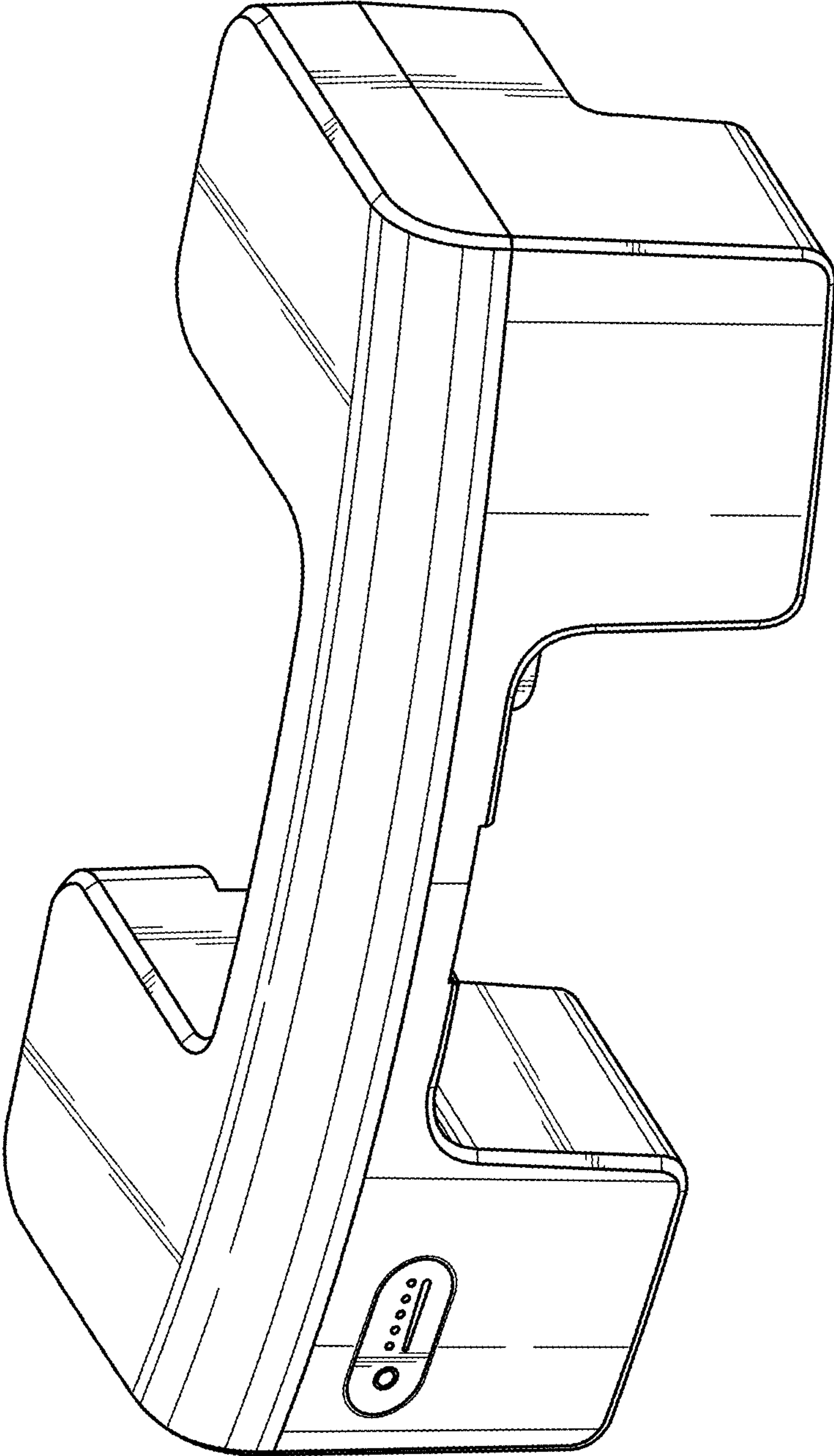


FIG. 1

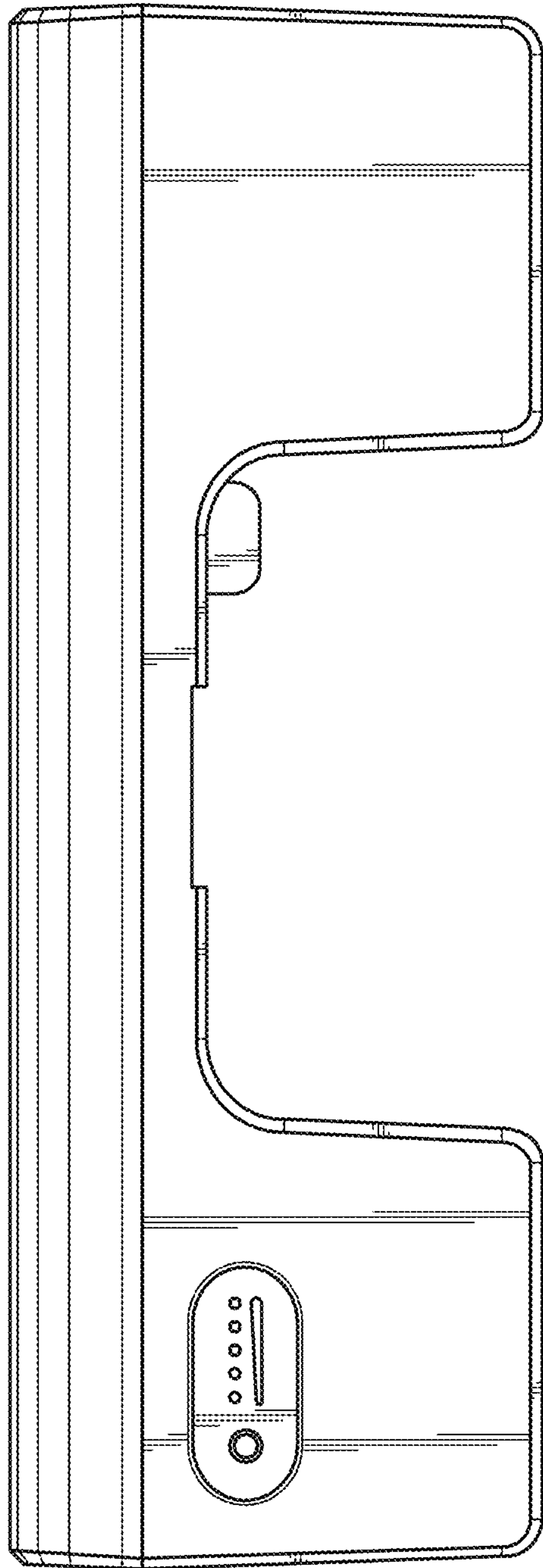


FIG. 2

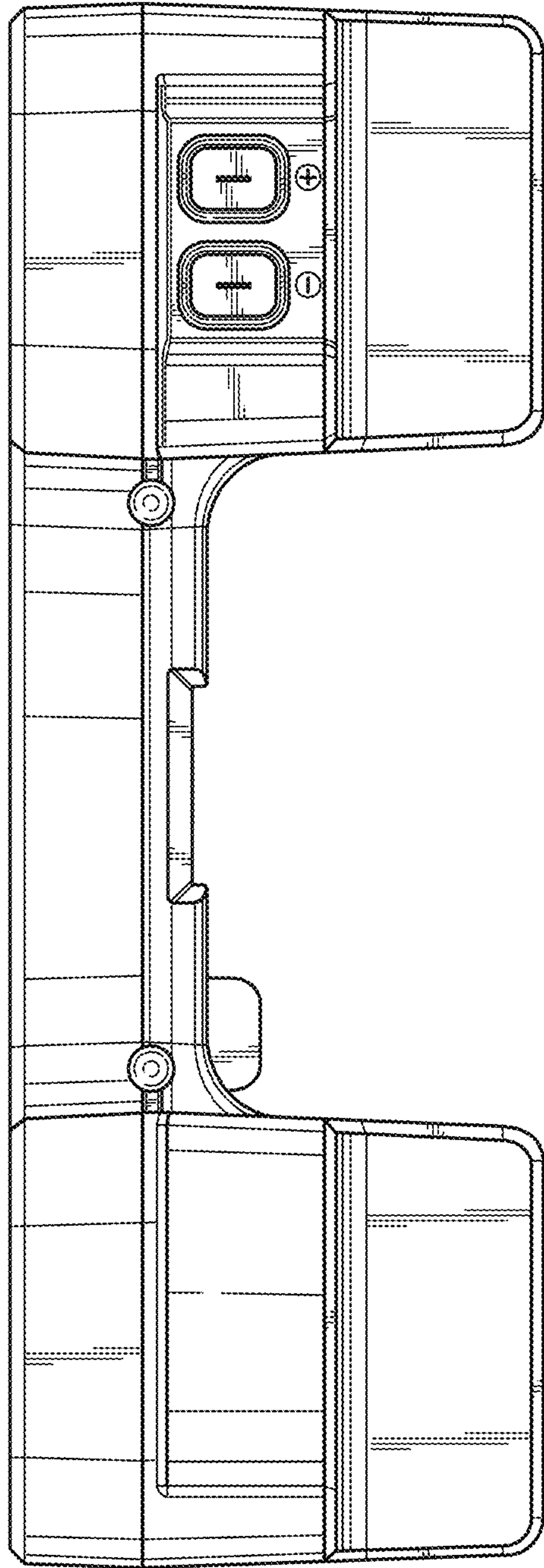


FIG. 3

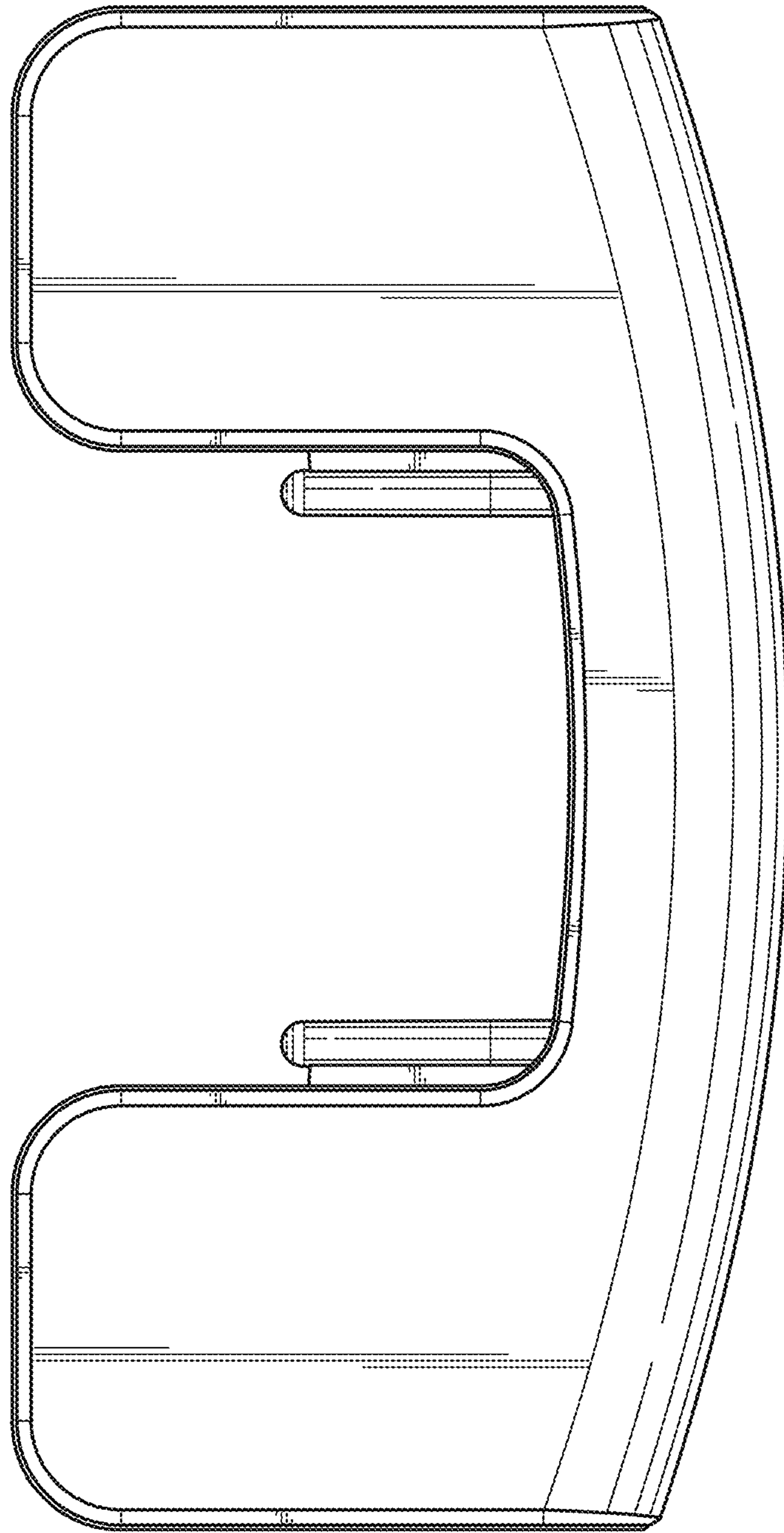


FIG. 4

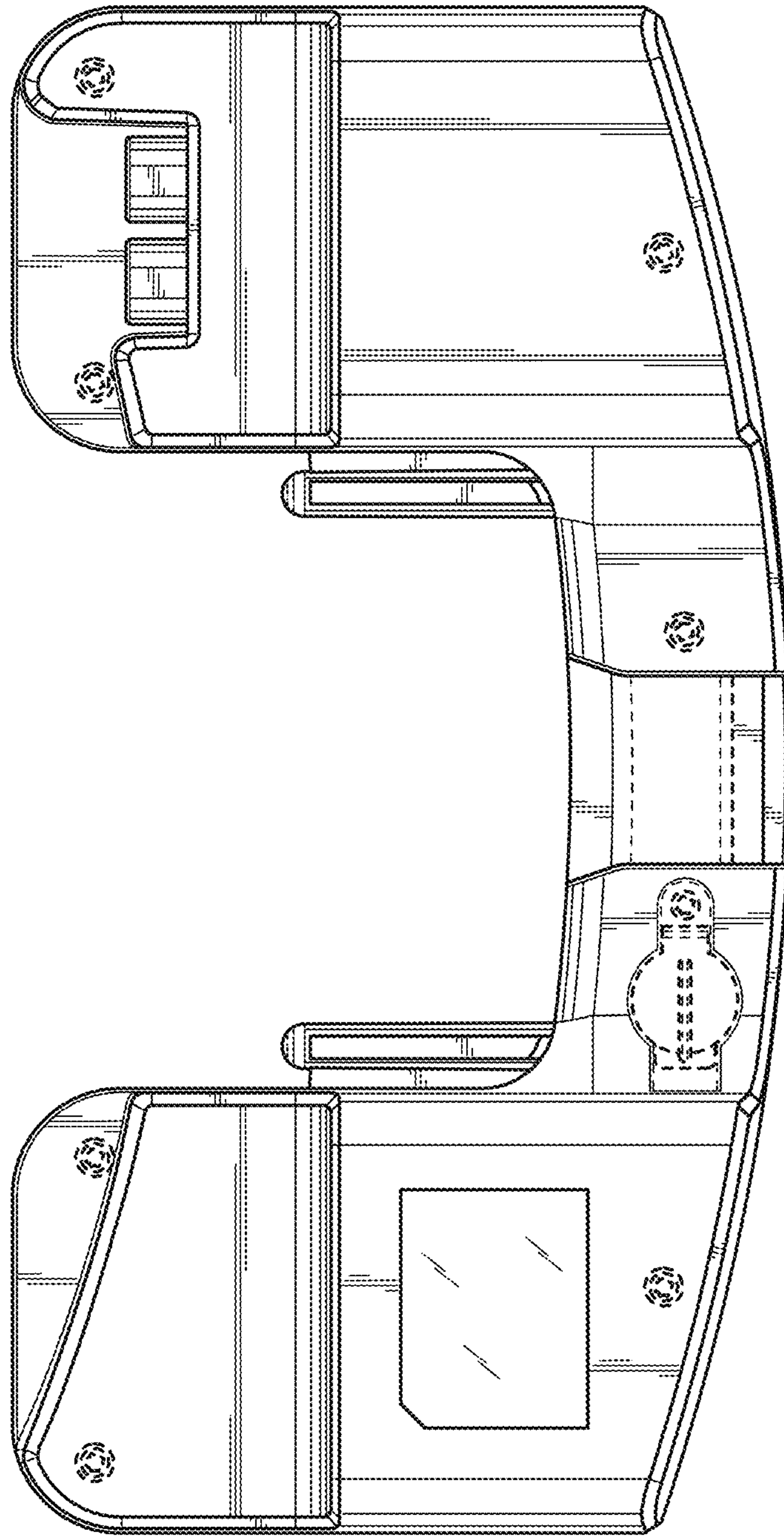


FIG. 5

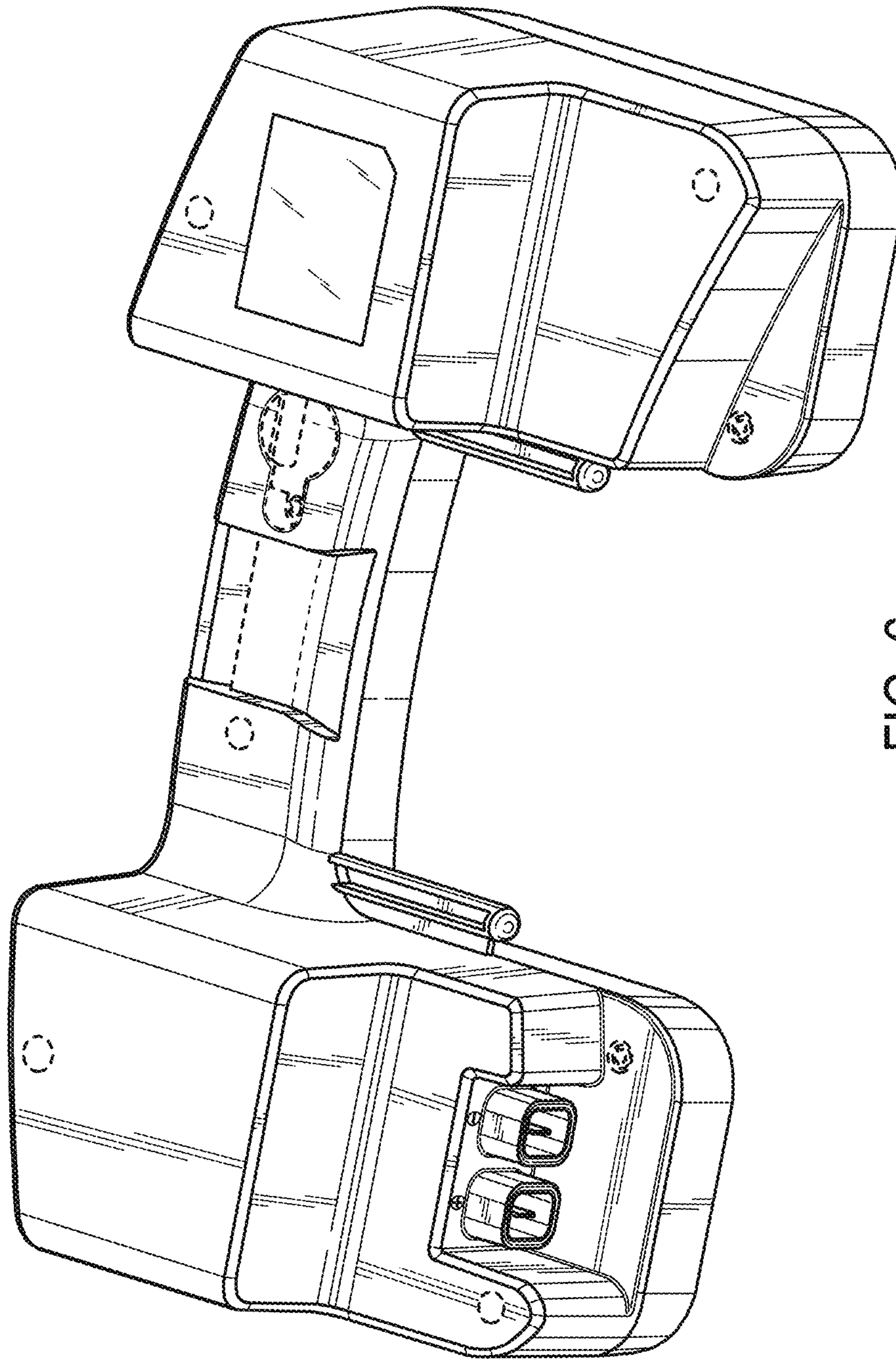


FIG. 6

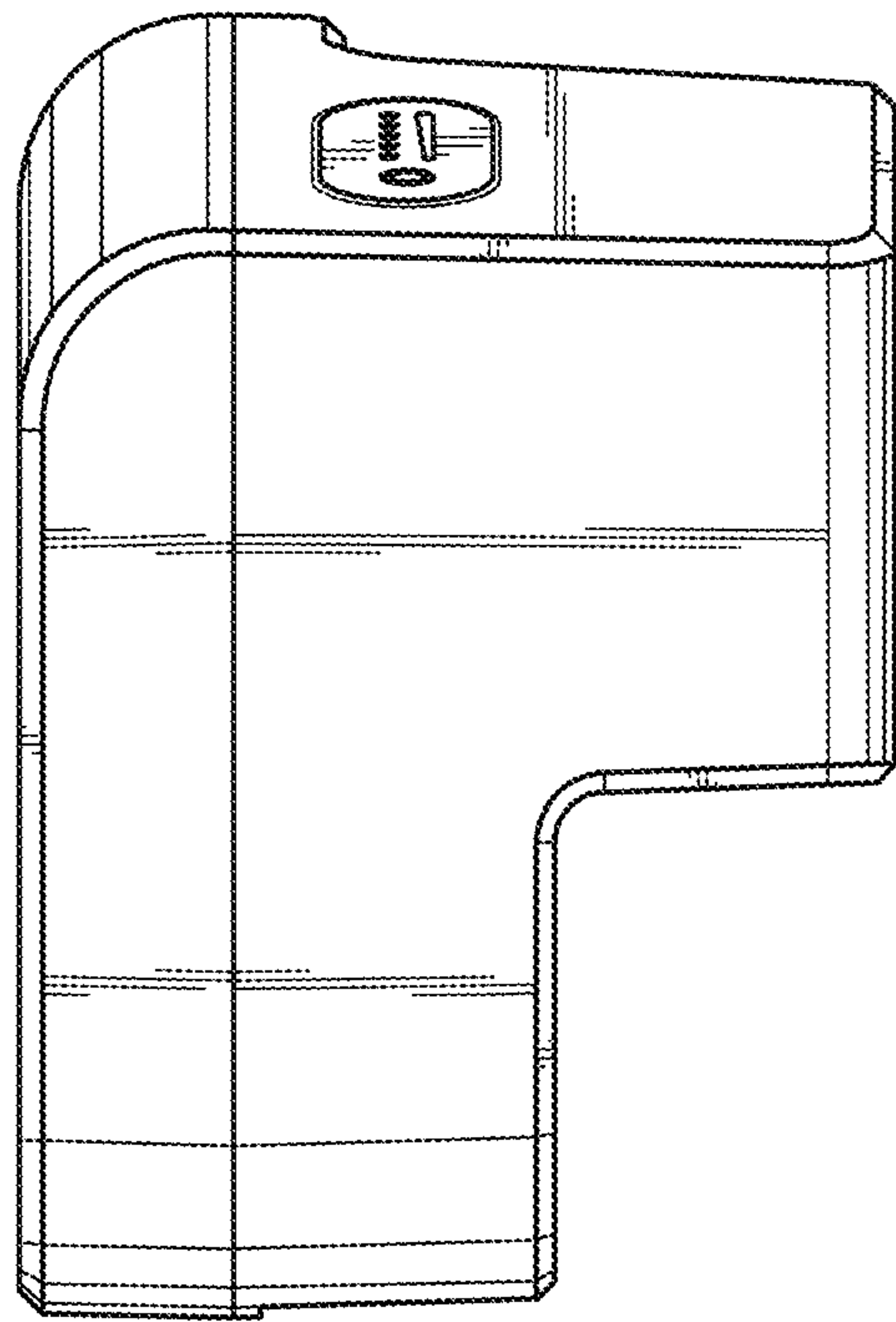


FIG. 7