



US00D911927S

(12) **United States Design Patent**
Kindler et al.

(10) **Patent No.:** **US D911,927 S**
(45) **Date of Patent:** **** Mar. 2, 2021**

(54) **BATTERY FOR WHEELED FRAME WITH MOTOR**

(71) Applicant: **Robert Bosch GmbH**, Stuttgart (DE)

(72) Inventors: **Simon Kindler**, Munich (DE); **Philipp Pelzl**, Prien (DE)

(73) Assignee: **Robert Bosch GmbH**, Stuttgart (DE)

(**) Term: **15 Years**

(21) Appl. No.: **29/683,832**

(22) Filed: **Mar. 15, 2019**

(30) **Foreign Application Priority Data**

Sep. 17, 2018 (EM) 005644093

(51) **LOC (13) Cl.** **13-02**

(52) **U.S. Cl.**
USPC **D13/103**

(58) **Field of Classification Search**

USPC D13/103, 107, 108, 110, 137.1–137.4,
D13/138.1–138.2, 139.1–139.8, 152, 154,
D13/158, 171, 174, 184, 199; D14/250,
D14/251, 253, 432, 434
CPC Y02E 60/12; Y02E 60/122; Y02E 60/124;
Y02E 60/50; H01M 2/02; H01M 2/022;
H01M 2/0202; H01M 2/0207; H01M
2/0212; H01M 2/1061; H01M 2/1022;
(Continued)

(56) **References Cited**

U.S. PATENT DOCUMENTS

D336,071 S * 6/1993 Ottosen D13/139.7
D544,833 S * 6/2007 Sade D13/108
(Continued)

Primary Examiner — Christy Nemeth

(74) *Attorney, Agent, or Firm* — Maginot, Moore & Beck LLP

(57) **CLAIM**

The ornamental design for a battery for wheeled frame with motor, as shown and described.

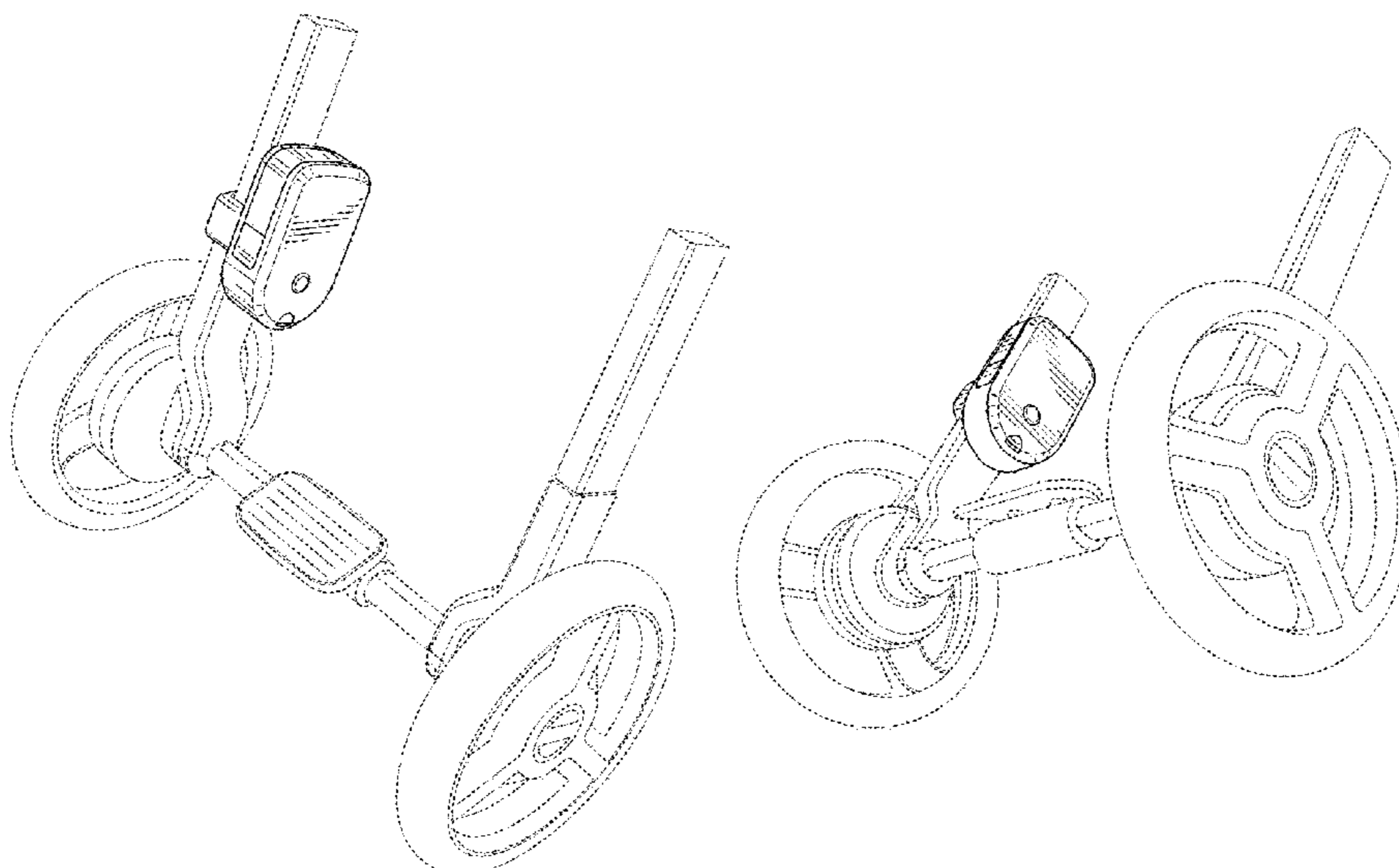
DESCRIPTION

Cross reference is made to copending U.S. design patent application Ser. No. 29/683,827 entitled “Wheeled Frame with Motor” by Kindler et al., which was filed on even date herewith; U.S. design patent application Ser. No. 29/683,831 entitled “Wheeled Frame with Motor” by Kindler et al., which was filed on even date herewith; U.S. design patent application Ser. No. 29/683,834 entitled “Motor Housing for Wheeled Frame with Motor” by Kindler et al., which was filed on even date herewith; U.S. design patent application Ser. No. 29/683,838 entitled “Wheeled Frame with Motor” by Gruber et al., which was filed on even date herewith; and U.S. design patent application Ser. No. 29/683,840 entitled “Wheeled Frame with Motor” by Gruber et al., which was filed on even date herewith.

FIG. 1 is a first perspective view of a battery for wheeled frame with motor showing our new design;
FIG. 2 is a second perspective view of the battery for wheeled frame with motor of FIG. 1;
FIG. 3 is a left side elevational view of the battery for wheeled frame with motor of FIG. 1;
FIG. 4 is a right side elevational view of the battery for wheeled frame with motor of FIG. 1;
FIG. 5 is a front side elevational view of the battery for wheeled frame with motor of FIG. 1;
FIG. 6 is a rear side elevational view of the battery for wheeled frame with motor of FIG. 1;
FIG. 7 is a top plan view of the battery for wheeled frame with motor of FIG. 1; and,
FIG. 8 is a bottom plan view of the battery for wheeled frame with motor of FIG. 1.

The broken lines in the drawings are for the purpose of illustrating environmental subject matter that forms no part of the claimed design.

1 Claim, 8 Drawing Sheets



(58) **Field of Classification Search**

CPC .. H01M 2/1055; H01M 2/1066; H01M 2/105;
H01M 2/204; H01M 2/202; H01M 2/206;
H01M 10/4257; H01M 10/0436; H01M
10/48; H01M 10/44; H01M 10/46; H01M
10/465; H01M 10/482; H01R 11/00;
H01R 9/00; H01R 13/00; H01R 13/04;
H01R 13/10; H01R 13/6666; H01R
13/6675; H01R 25/00; H01R 25/006;
H01H 2207/00; H01H 2207/022

See application file for complete search history.

(56) **References Cited**

U.S. PATENT DOCUMENTS

D630,592 S *	1/2011	Matsuoka	D13/154
D804,413 S *	12/2017	McSweyn	D13/108
D845,231 S *	4/2019	Chen	D13/107
D845,892 S *	4/2019	Shum	D13/107
D867,357 S *	11/2019	Yang	D14/253
D872,688 S *	1/2020	Nazar	D13/108
D876,526 S *	2/2020	Fuller	D16/237
D883,195 S *	5/2020	Jiang	D13/103

* cited by examiner

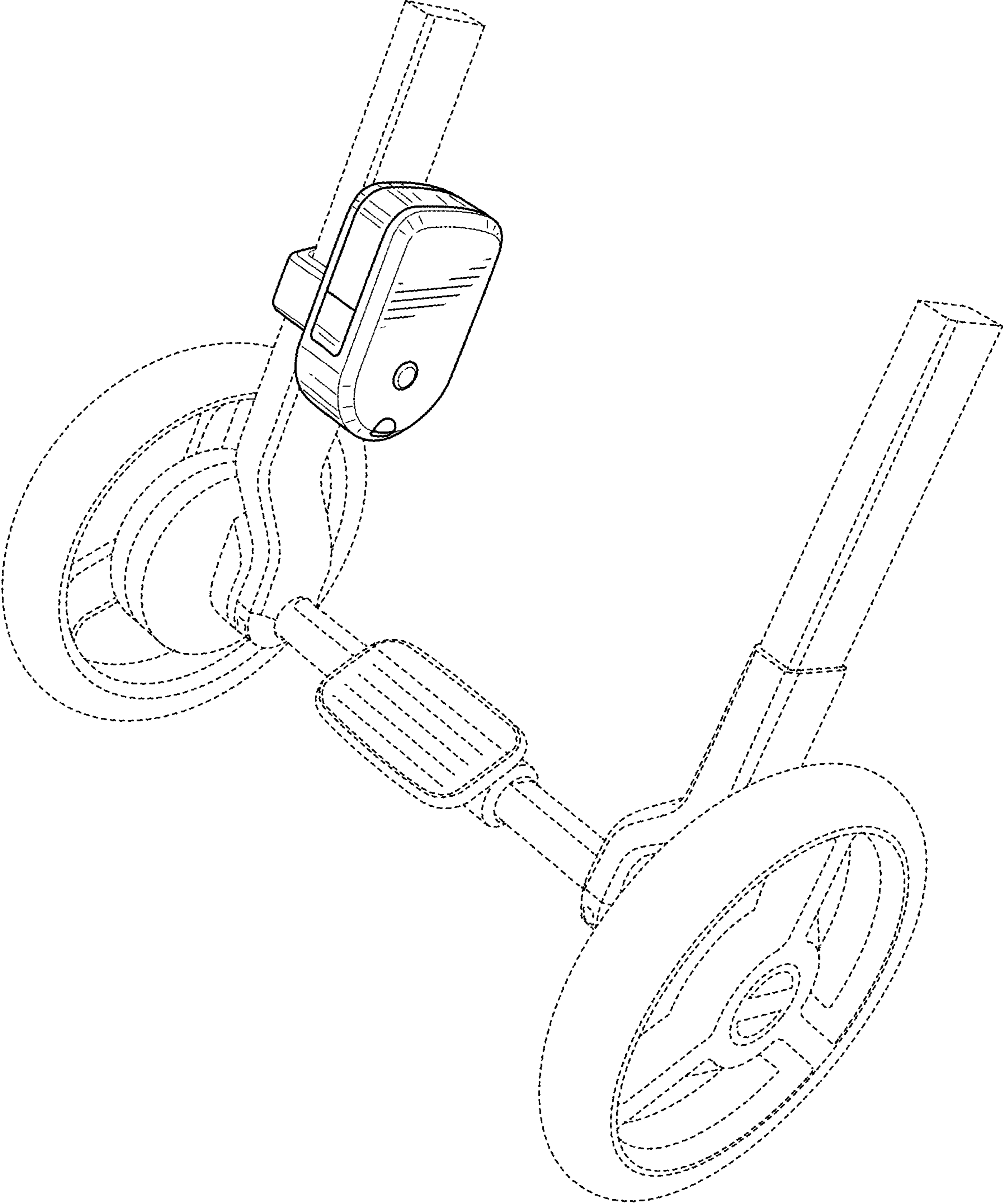


FIG. 1

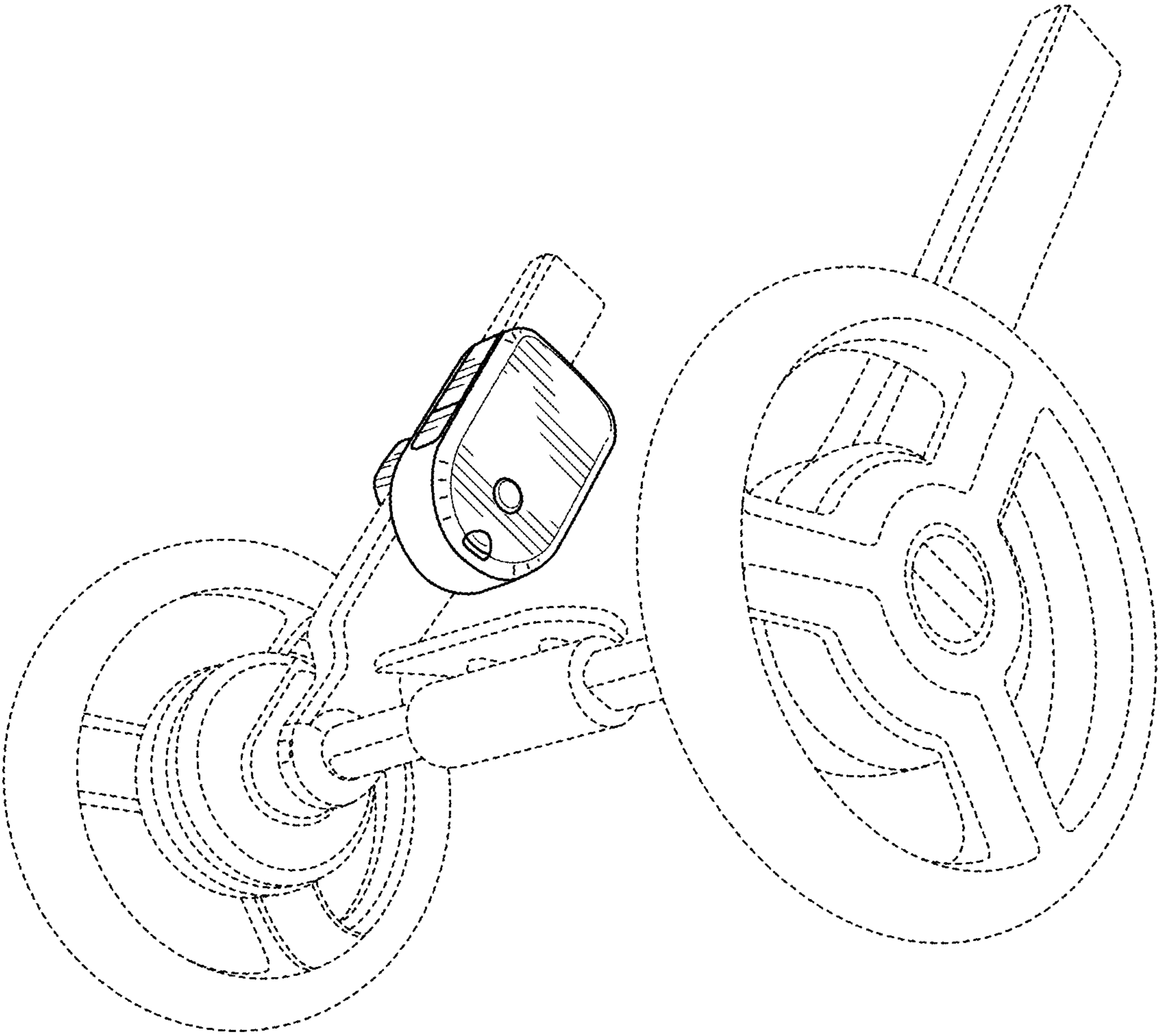


FIG. 2

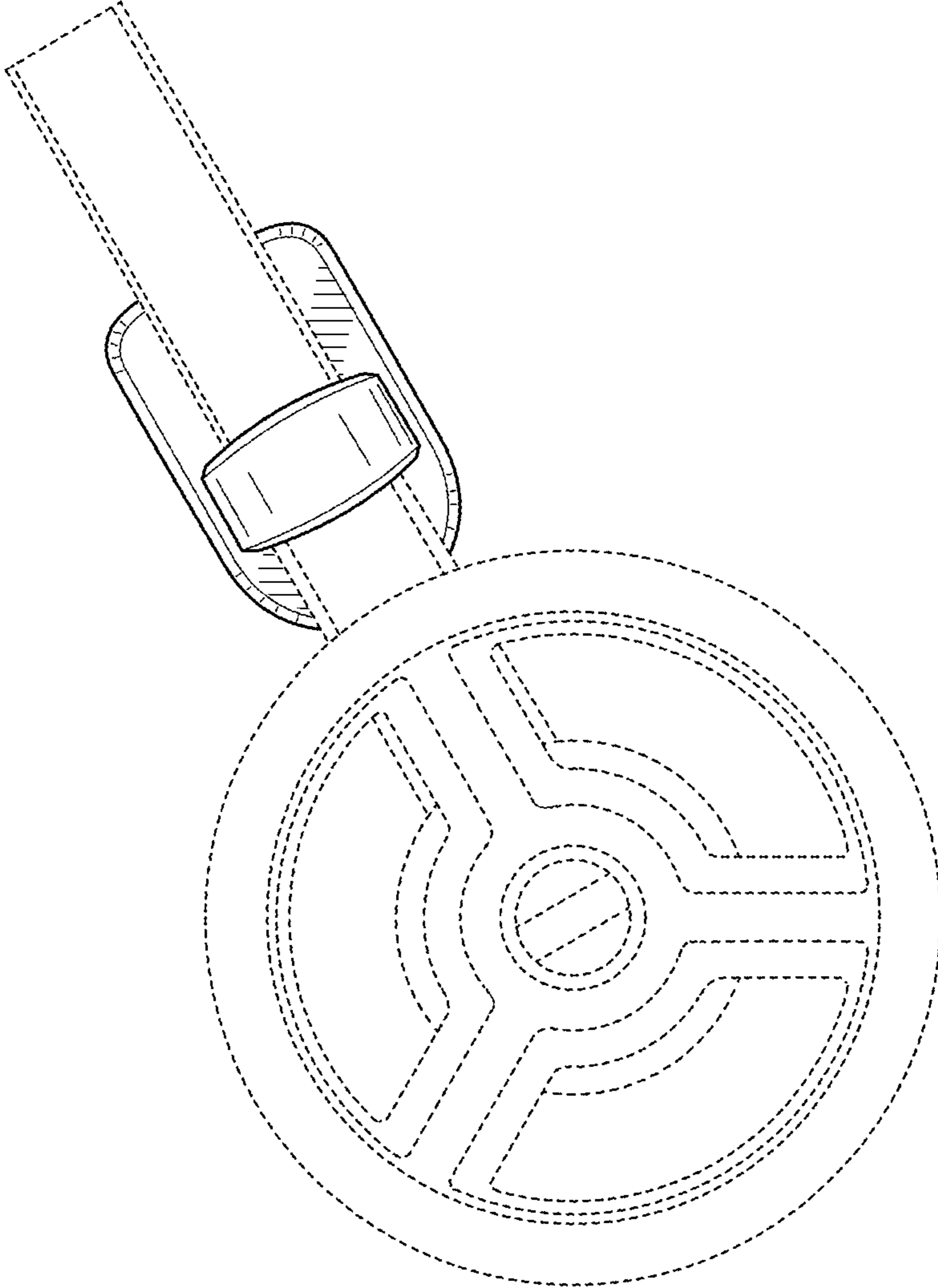


FIG. 3

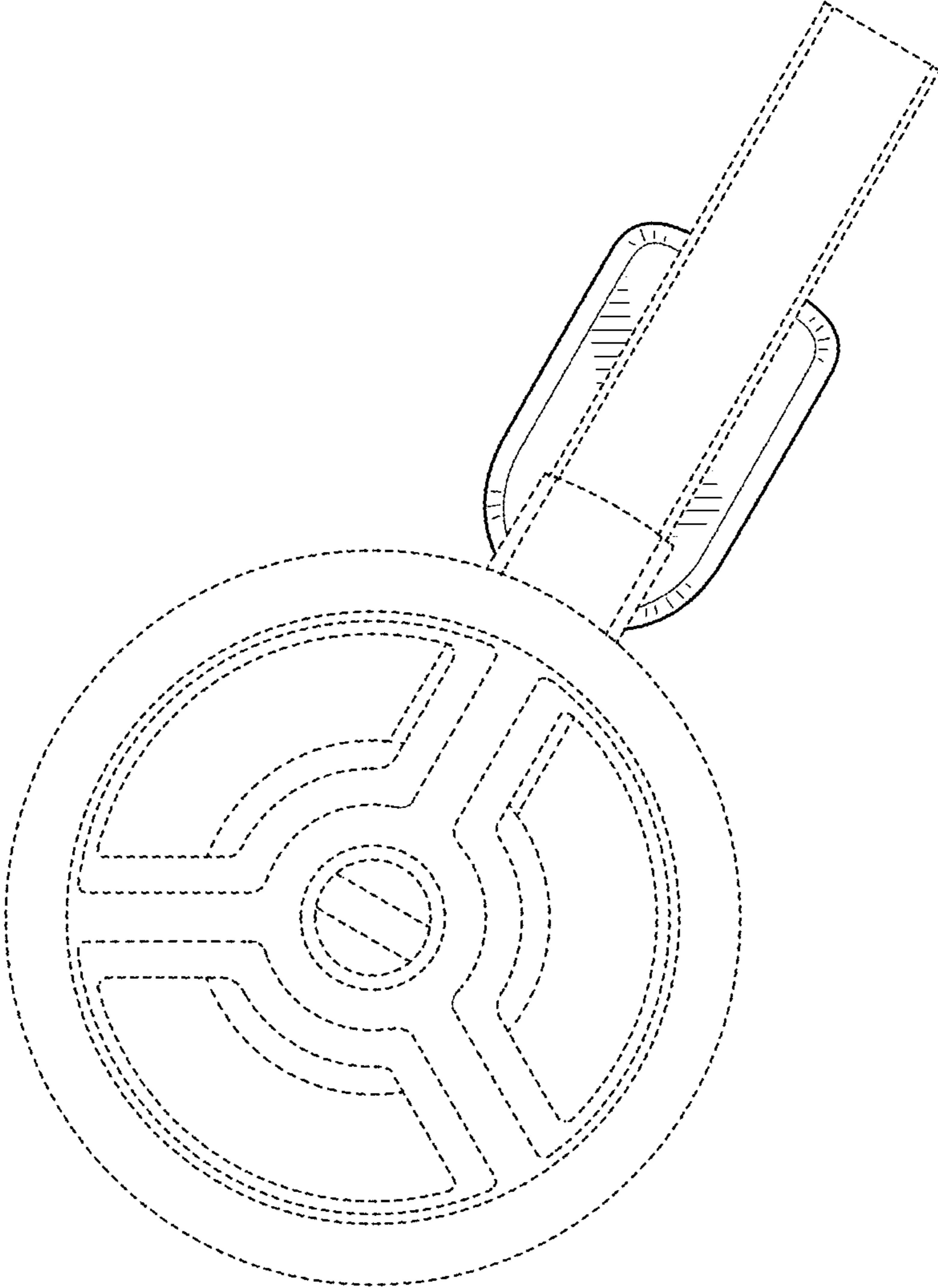


FIG. 4

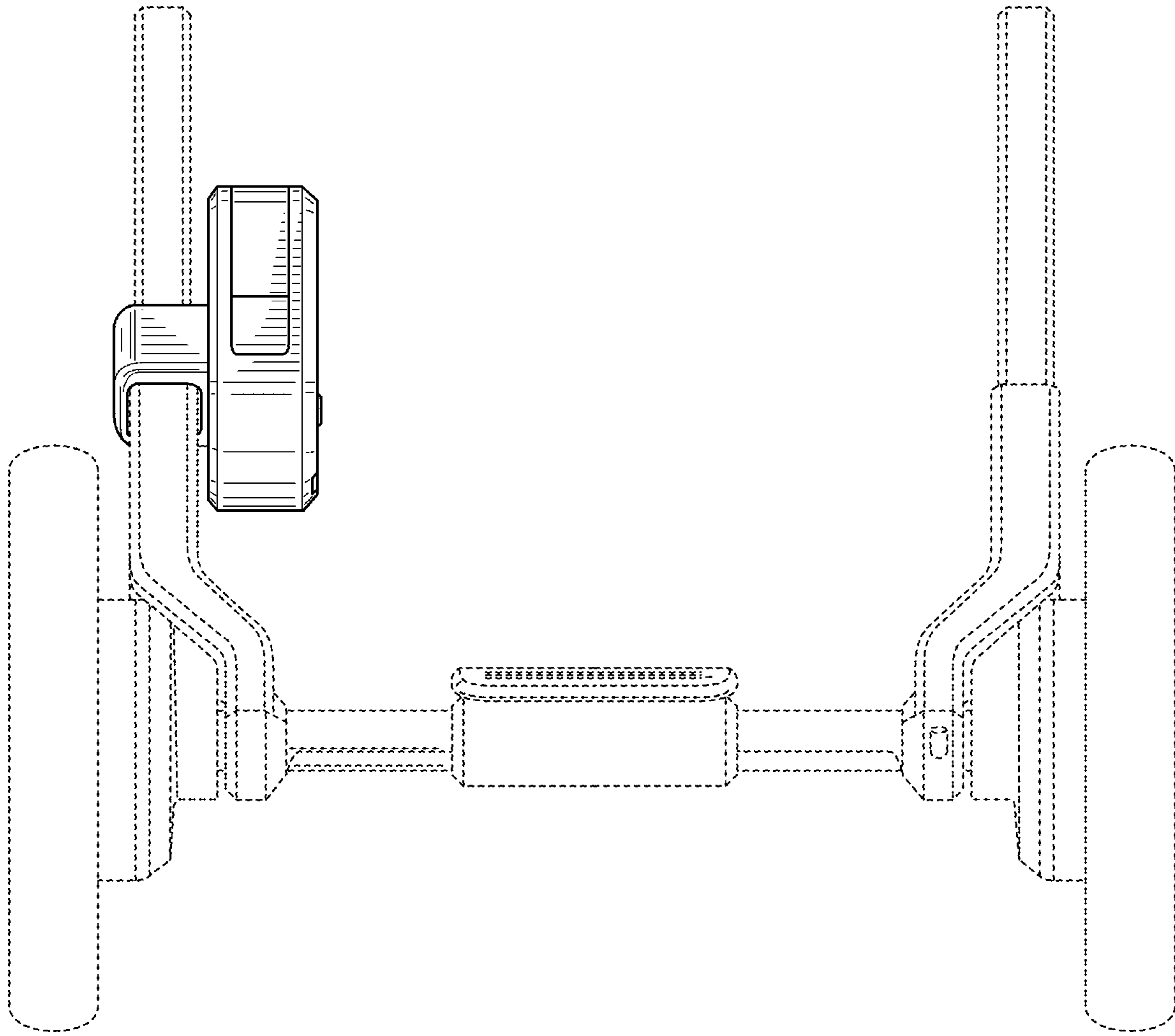


FIG. 5

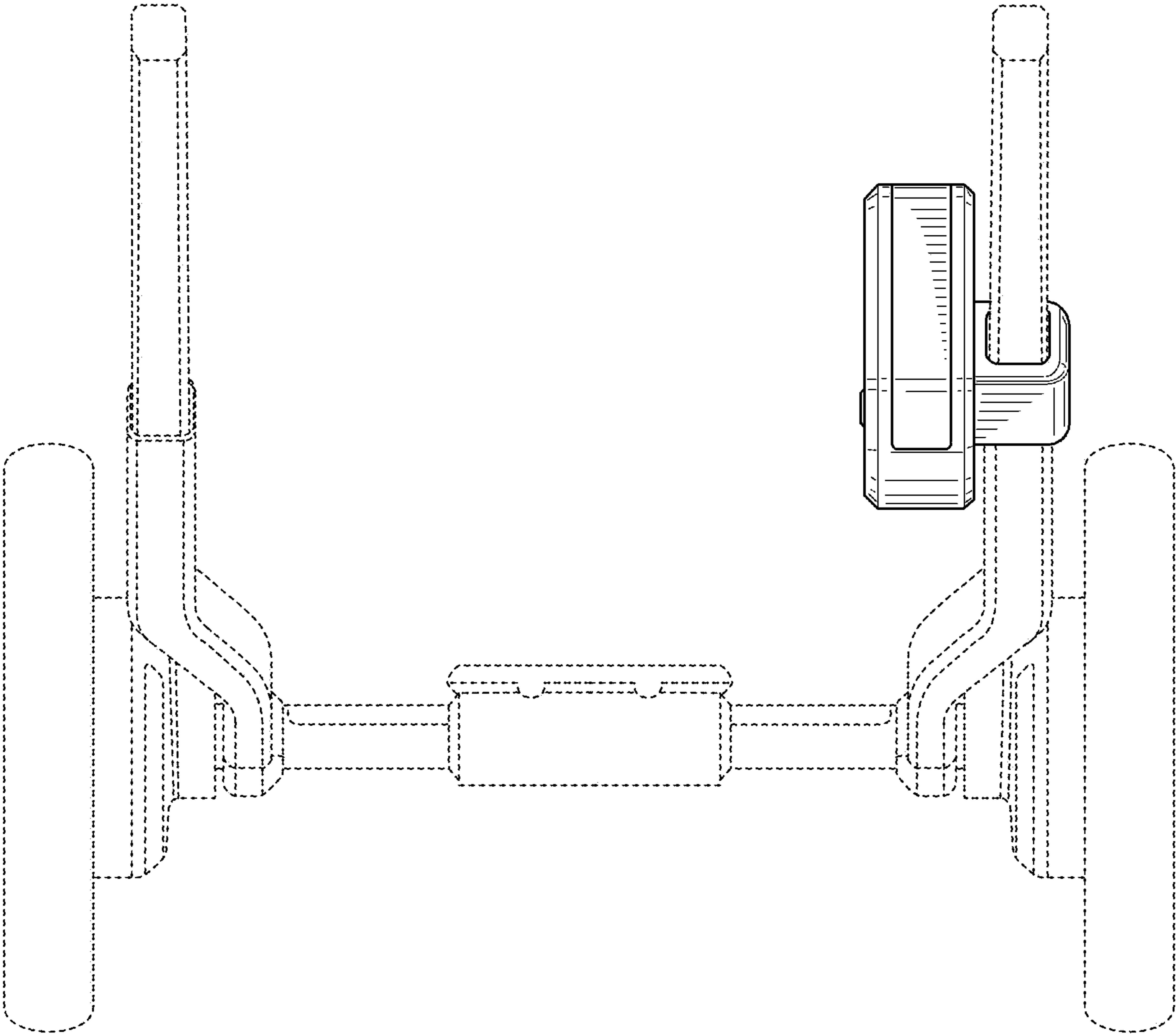


FIG. 6

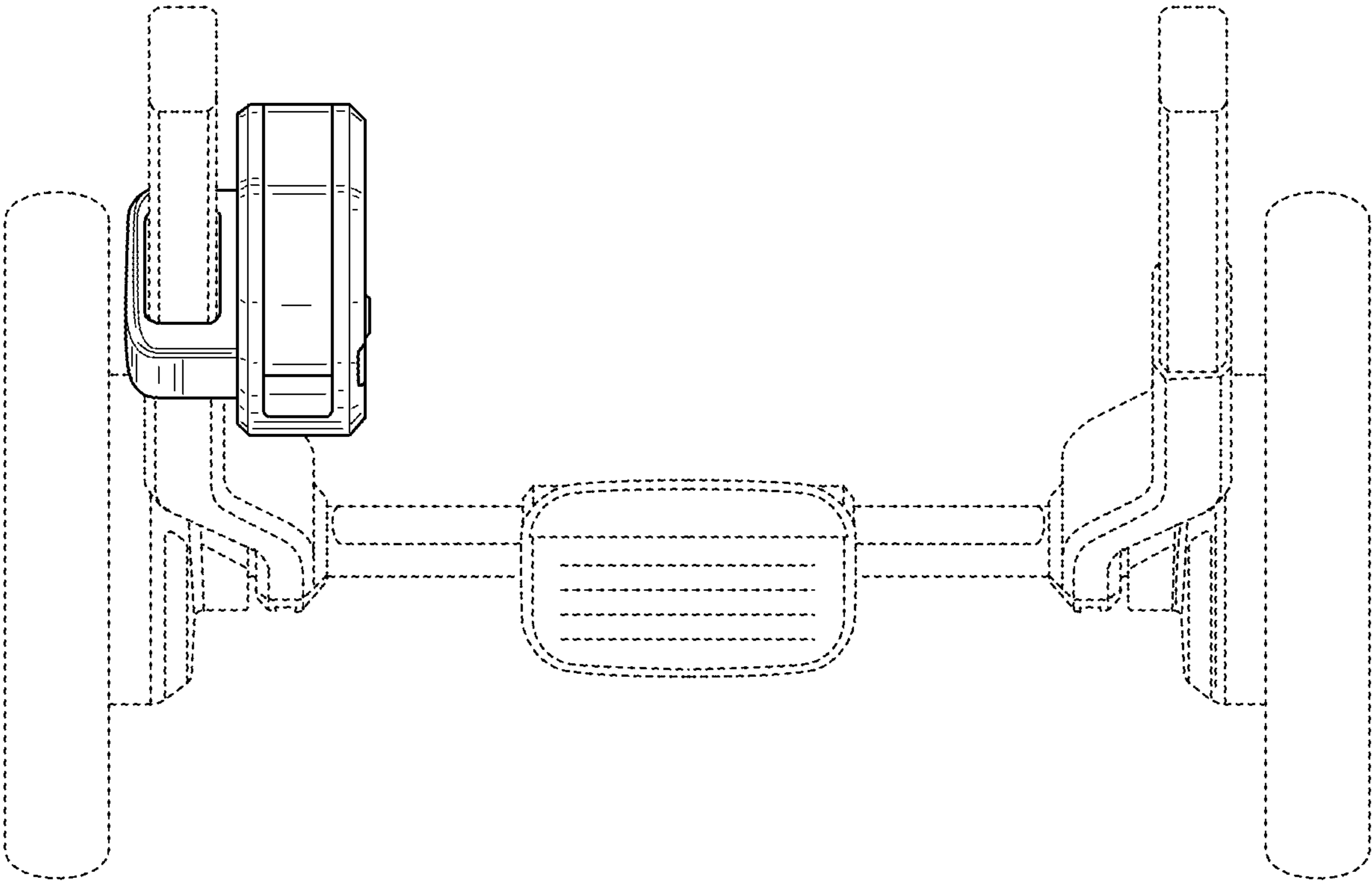


FIG. 7

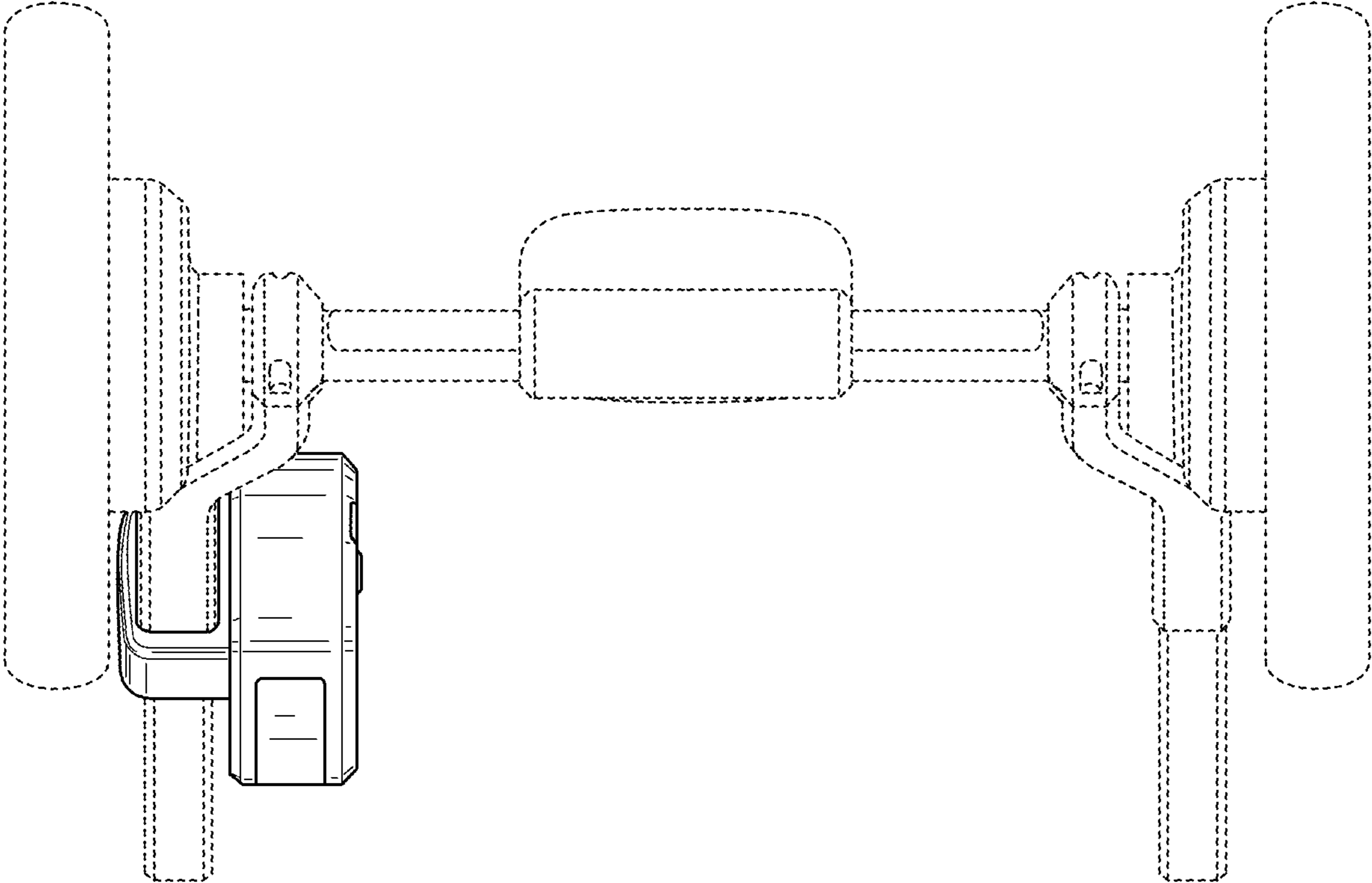


FIG. 8