



US00D911924S

(12) **United States Design Patent** (10) **Patent No.:** **US D911,924 S**
Xie (45) **Date of Patent:** **** Mar. 2, 2021**

(54) **BATTERY BOX**
(71) Applicant: **Huarong Xie**, Guangdong (CN)
(72) Inventor: **Huarong Xie**, Guangdong (CN)
(**) Term: **15 Years**

D517,987 S 3/2006 Castagnola et al.
D517,988 S 3/2006 Ihde et al.
D557,658 S * 12/2007 Ledbetter D13/108
D558,769 S * 1/2008 Krieger D13/108
D607,404 S * 1/2010 Orion D13/110
D656,896 S * 4/2012 Fung D13/110
D681,549 S 5/2013 Jackson

(Continued)

(21) Appl. No.: **29/679,042**
(22) Filed: **Feb. 1, 2019**
(51) **LOC (13) Cl.** **13-02**
(52) **U.S. Cl.**
USPC **D13/103**
(58) **Field of Classification Search**
USPC D13/103, 107, 108, 110, 137.1–137.4,
D13/138.1–138.2, 139.1–139.8, 152, 154,
D13/158, 171, 174, 184, 199; D14/250,
D14/251, 253, 432, 434
CPC Y02E 60/12; Y02E 60/122; Y02E 60/124;
Y02E 60/50; H01M 2/02; H01M 2/022;
H01M 2/0202; H01M 2/0207; H01M
2/0212; H01M 2/1061; H01M 2/1022;
H01M 2/1055; H01M 2/1066; H01M
2/105; H01M 2/204; H01M 2/202; H01M
2/206; H01M 10/4257; H01M 10/0436;
H01M 10/48; H01M 10/44; H01M 10/46;
H01M 10/465; H01M 10/482; H01R
11/00; H01R 9/00; H01R 13/00; H01R
13/04; H01R 13/10; H01R 13/6666;
H01R 13/6675; H01R 25/00; H01R
25/006; H01H 2207/00; H01H 2207/022
See application file for complete search history.

FOREIGN PATENT DOCUMENTS

JP D1077188 4/2000
JP D1140395 3/2002

(Continued)

Primary Examiner — Christy Nemeth
(74) *Attorney, Agent, or Firm* — KA Filing LLC; Wayne
V. Harper; Cynthia Ward Flanigan

(57) **CLAIM**

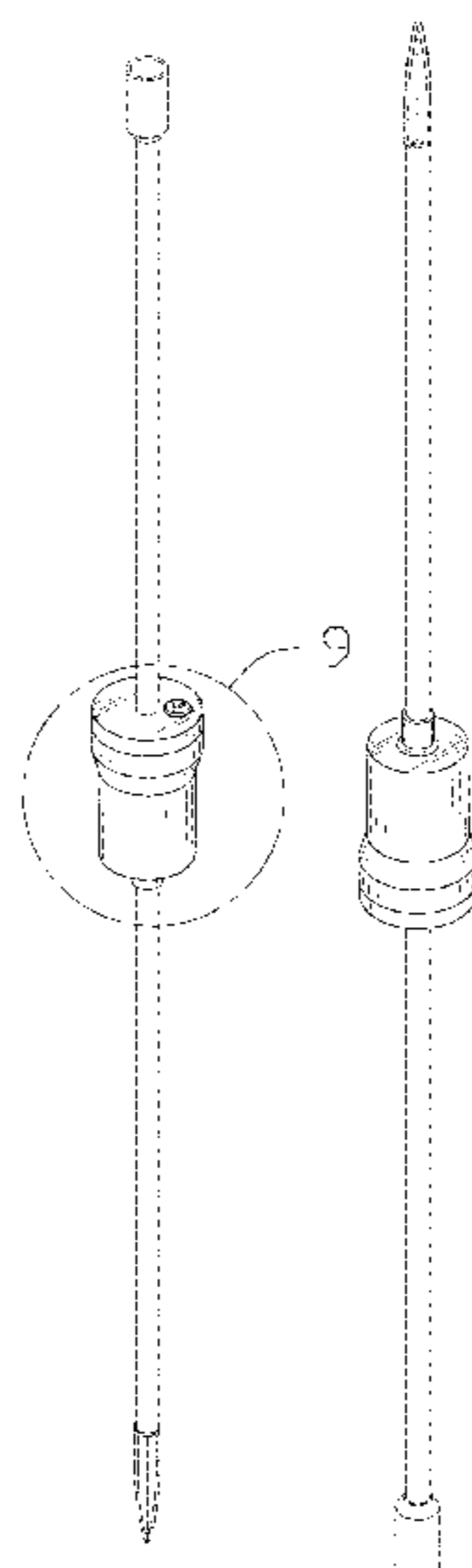
The ornamental design for a battery box, as shown and described.

DESCRIPTION

FIG. 1 is a top front perspective view of a battery box showing my new design;
FIG. 2 is a bottom rear perspective view thereof;
FIG. 3 is a front elevational view thereof;
FIG. 4 is a rear elevational view thereof;
FIG. 5 is a left side elevational view thereof;
FIG. 6 is a right side elevational view thereof;
FIG. 7 is a top plan view thereof on an enlarged scale;
FIG. 8 is a bottom plan view thereof on an enlarged scale;
and,
FIG. 9 is an enlarged view of part 9 in FIG. 1.
The dash-dash broken lines in the drawings are for the purpose of illustrating portions of the article that form no part of the claimed design. The dash-dot broken lines in FIGS. 1 and 9 are for the purpose of illustrating the boundaries of the enlarged fragment shown in FIG. 9 and form no part of the claimed design.

(56) **References Cited**
U.S. PATENT DOCUMENTS
D329,634 S 9/1992 Mizusugi et al.
D449,577 S 10/2001 Nishio et al.
D495,994 S 9/2004 Arakelian
D499,070 S 11/2004 Lavington
D517,479 S 3/2006 Schemm

1 Claim, 9 Drawing Sheets



(56)

References Cited

U.S. PATENT DOCUMENTS

D686,157	S	7/2013	Kawase et al.	
D718,717	S	12/2014	Commerford	
D775,131	S *	12/2016	Claudepierre	D14/434
D785,567	S	5/2017	Abena et al.	
D795,802	S *	8/2017	Inagaki	D13/107
D798,825	S *	10/2017	Hahn	D13/153
D811,995	S *	3/2018	Horikoshi	D13/103
D811,998	S *	3/2018	Wang	D13/107
D844,555	S *	4/2019	McLean	D13/103
D866,461	S *	11/2019	Arimoto	D13/108
D870,039	S *	12/2019	Wang	D13/108
D883,919	S *	5/2020	Gong	D13/103
D884,603	S *	5/2020	Xie	D13/103
D884,604	S *	5/2020	Xie	D13/103
D884,627	S *	5/2020	Du	D13/110

FOREIGN PATENT DOCUMENTS

JP	D1174484	4/2003
JP	D1229989	12/2004
JP	D1248289	7/2005
TW	D101964	12/2004
TW	D180280	12/2016

* cited by examiner

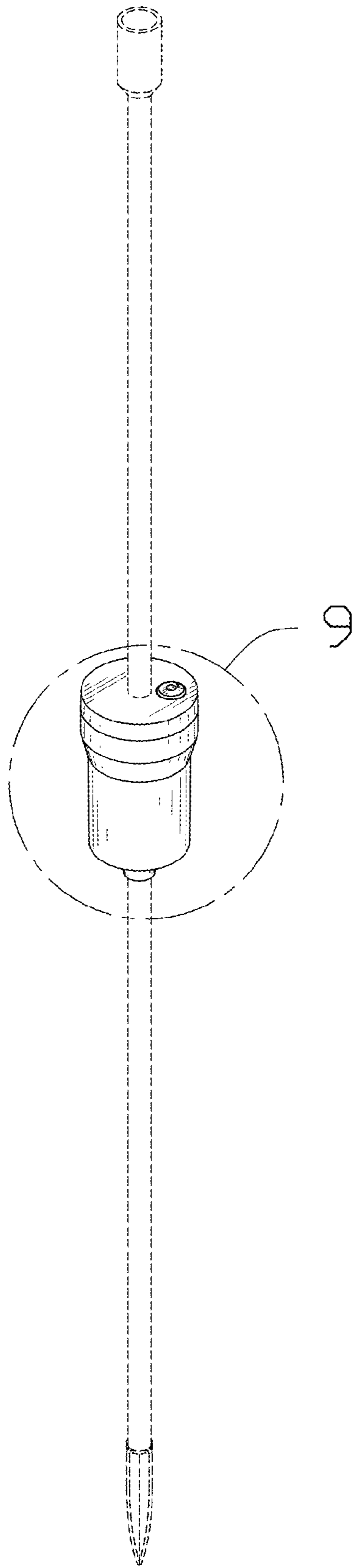


FIG. 1

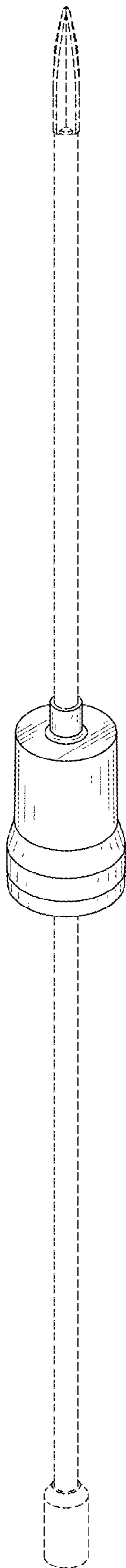


FIG. 2

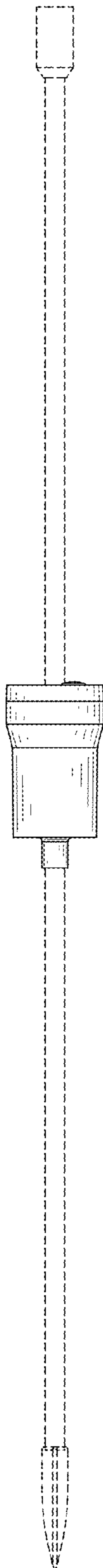


FIG. 3

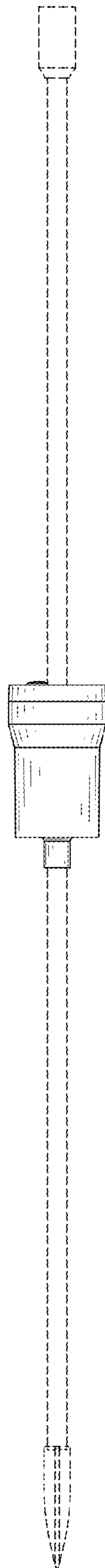


FIG. 4

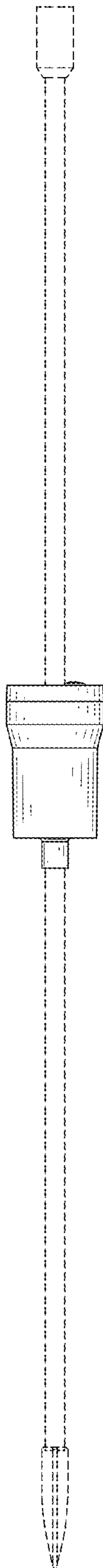


FIG. 5

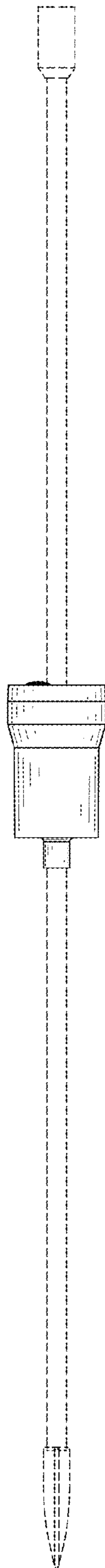


FIG. 6

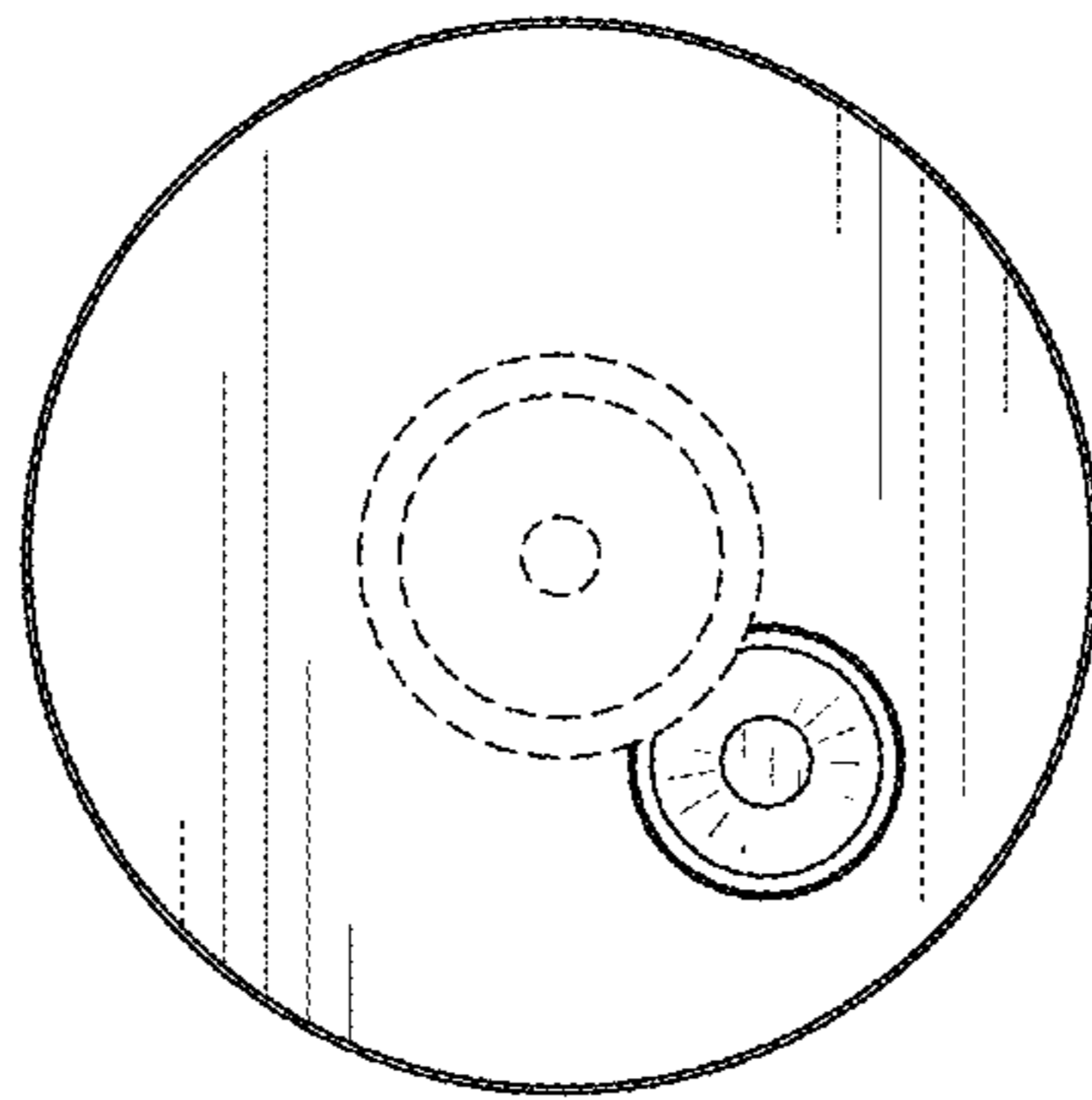


FIG. 7

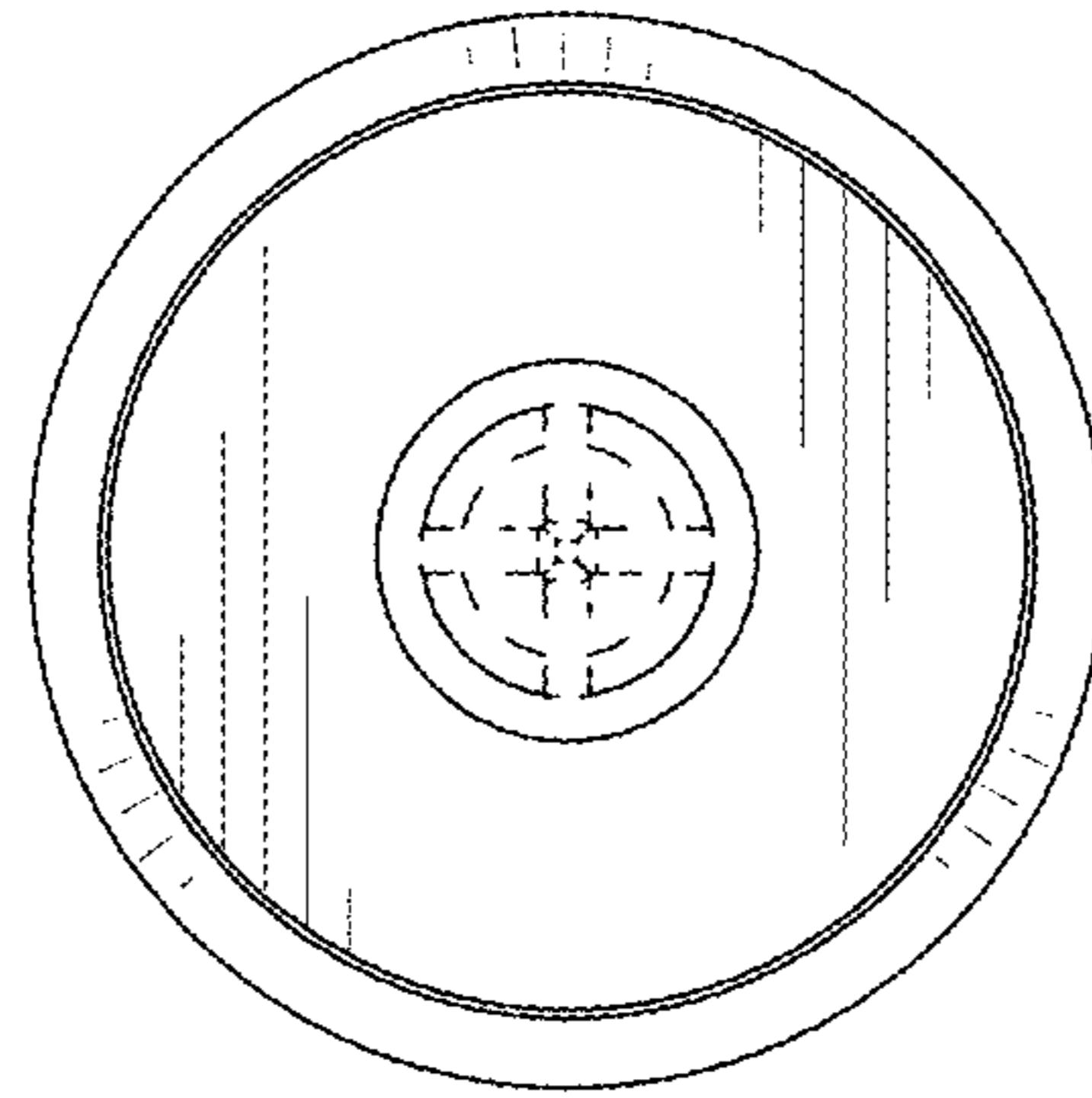


FIG. 8

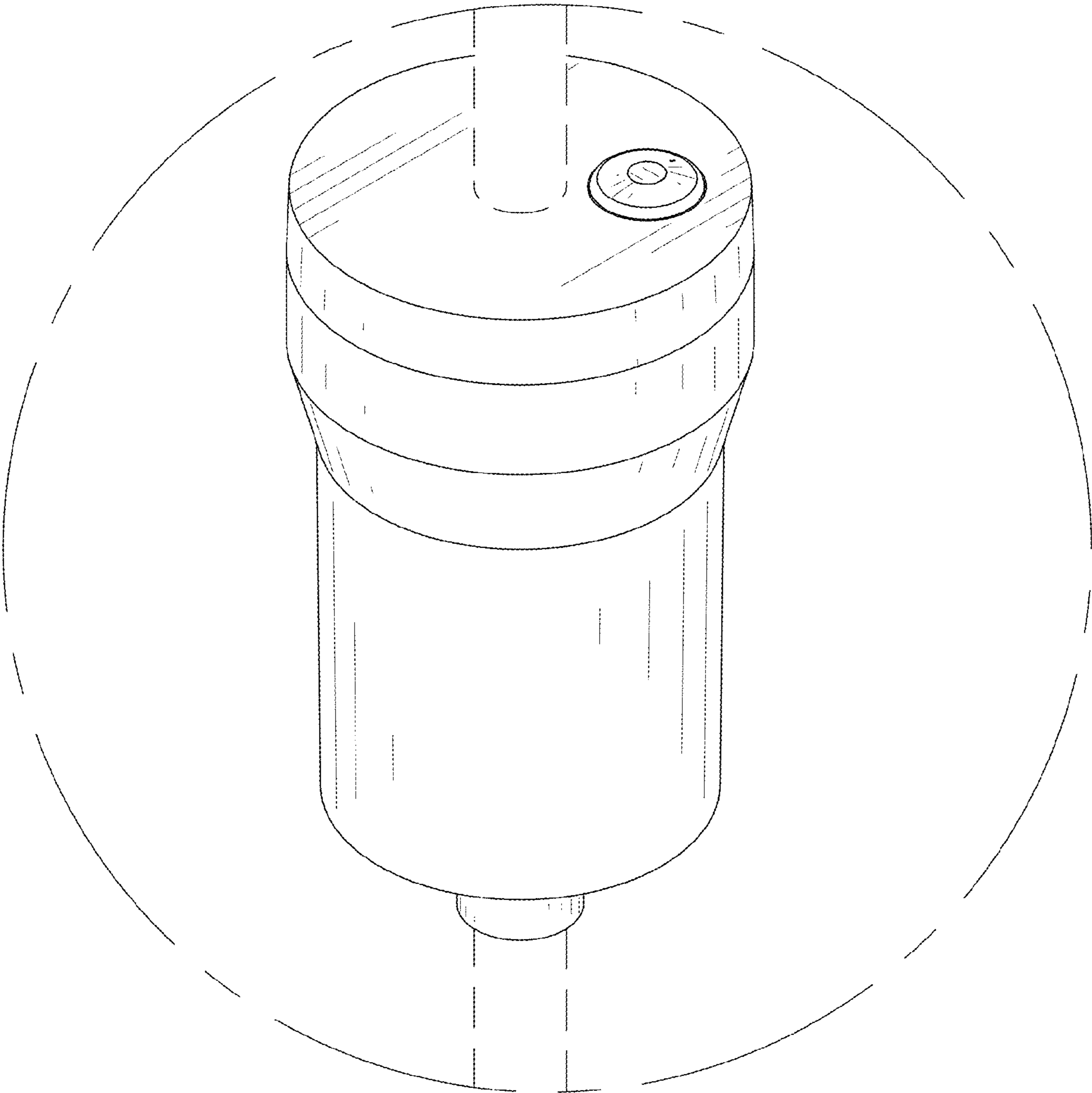


FIG. 9