



US00D911923S

(12) **United States Design Patent** (10) **Patent No.:** **US D911,923 S**
Brennan, Jr. et al. (45) **Date of Patent:** **** Mar. 2, 2021**

(54) **BATTERY**

(71) Applicant: **Spectralink Corporation**, Boulder, CO (US)

(72) Inventors: **William R. Brennan, Jr.**, Longmont, CO (US); **Randall Stanton**, Mead, CO (US)

(73) Assignee: **Spectralink Corporation**, Boulder, CO (US)

(**) Term: **15 Years**

(21) Appl. No.: **29/673,924**

(22) Filed: **Dec. 18, 2018**

(51) **LOC (13) Cl.** **13-02**

(52) **U.S. Cl.**
USPC **D13/103**

(58) **Field of Classification Search**
USPC D13/102–110, 118–119, 184
CPC Y02E 60/10; Y02E 60/12; Y02E 60/122;
Y02E 60/124; Y02E 60/50; H01M 2/02;
H01M 2/022; H01M 2/0202; H01M
2/0207; H01M 2/0212; H01M 2/1061;
H01M 2/1022; H01M 2/1055; H01M
2/1066; H01M 2/105; H01M 2/20; H01M
2/202; H01M 2/204; H01M 2/206; H01M
10/44; H01M 10/46; H01M 10/465;
H01M 10/482; H01M 2200/30; H01M
2250/30; H01M 2250/40; H02J 7/00;
H02J 7/0003; H02J 7/0011; H02J 7/0013;
H02J 7/0054; H02J 7/0055; H02J 7/0057;
H02J 2007/0062

See application file for complete search history.

(56) **References Cited**

U.S. PATENT DOCUMENTS

D302,005 S * 7/1989 Kizawa D13/103
D374,424 S * 10/1996 Nagele D13/103

D384,327 S * 9/1997 Nakui D13/103
D447,729 S * 9/2001 Song D13/103
D524,241 S * 7/2006 Takeshita D13/103
D580,352 S * 11/2008 Croley D13/103
D684,530 S * 6/2013 Moon D13/103
D689,019 S * 9/2013 Sato D13/103
D700,135 S * 2/2014 Sato D13/103
D724,022 S * 3/2015 Kwon D13/103
D729,249 S * 5/2015 Sun D14/435
D733,713 S * 7/2015 Shim D14/435
D810,011 S * 2/2018 Nelson D13/103
D833,973 S * 11/2018 Kitsugi D13/119

* cited by examiner

Primary Examiner — Jennifer Rivard

Assistant Examiner — Alison M Ofstun

(74) *Attorney, Agent, or Firm* — Polsinelli PC

(57) **CLAIM**

The ornamental design for a battery, as shown and described.

DESCRIPTION

FIG. 1 is a front isometric view of a battery, showing our new design;

FIG. 2 is a rear isometric view of the battery of FIG. 1;

FIG. 3 is a front elevation view of the of the battery of FIG. 1;

FIG. 4 is a rear elevation view of the of the battery of FIG. 1;

FIG. 5 is a top plan view of the battery of FIG. 1;

FIG. 6 is a bottom plan view of the battery of FIG. 1;

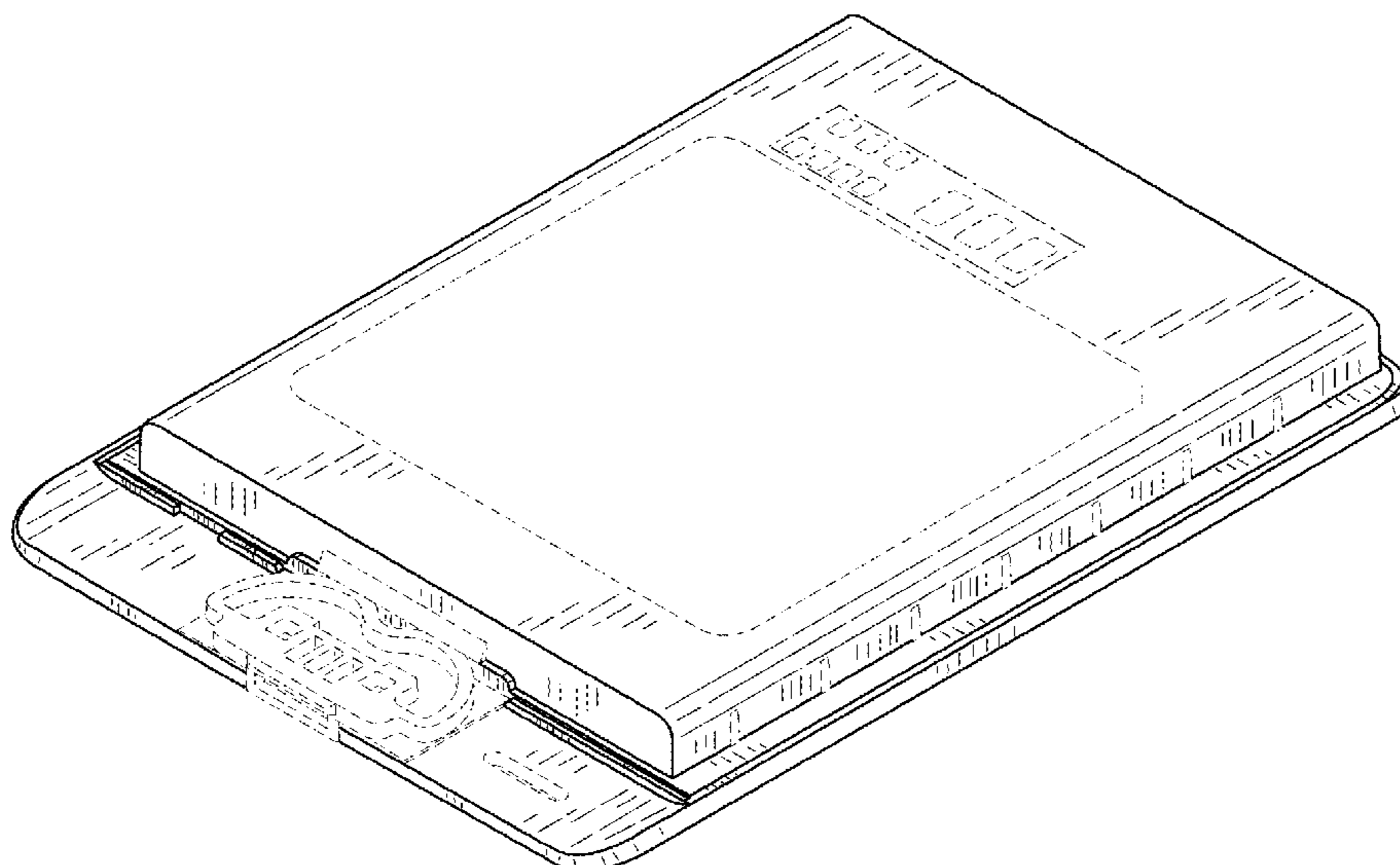
FIG. 7 is a first side elevation view of the battery of FIG. 1; and,

FIG. 8 is a second side elevation view of the battery of FIG. 1.

The dot-dash broken lines included in FIGS. 1 and 3 represent a boundary to the claimed design and form no part thereof.

In the drawings, the broken lines represent portions of the article which form no part of the claimed design.

1 Claim, 6 Drawing Sheets



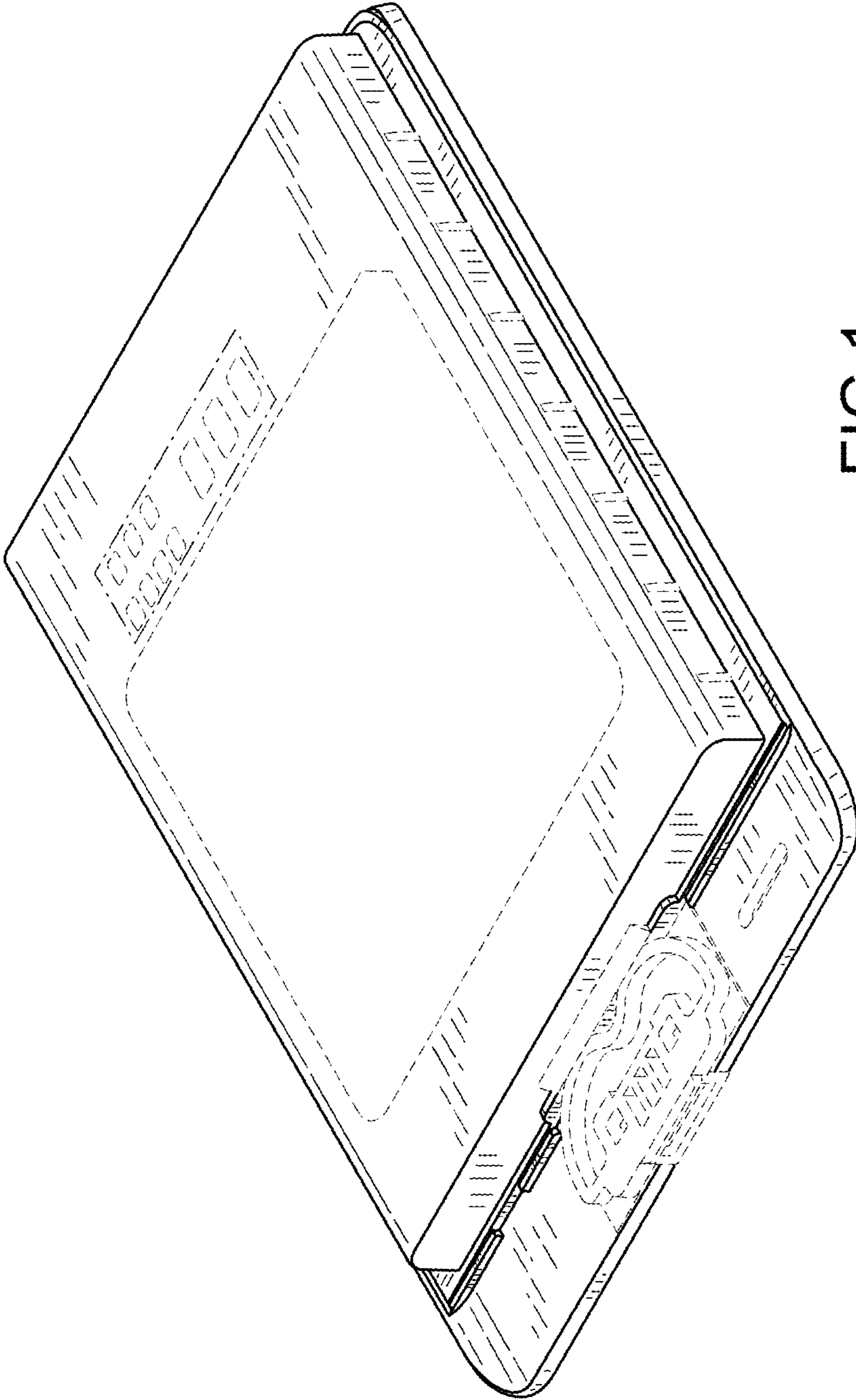


FIG.1

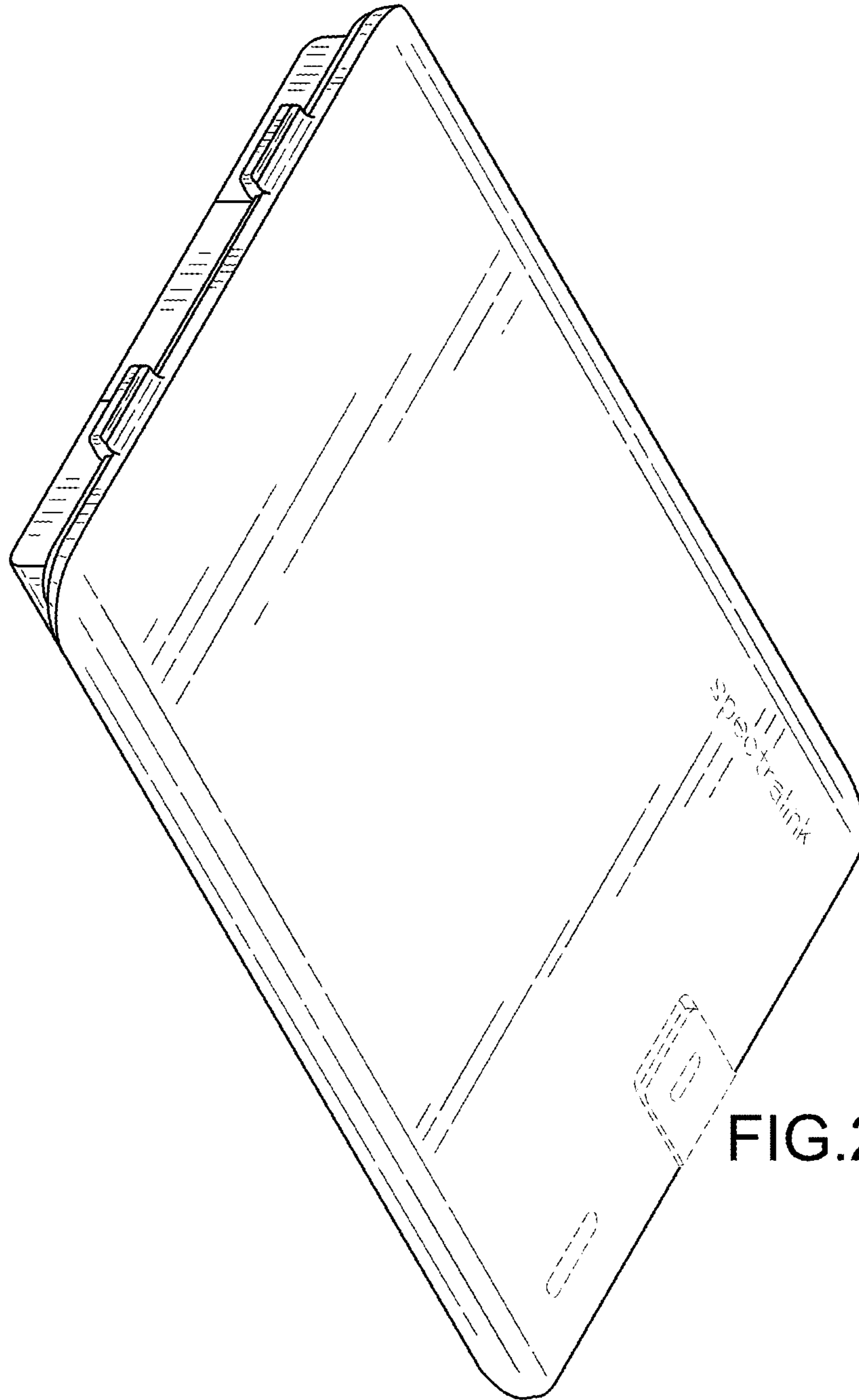


FIG.2

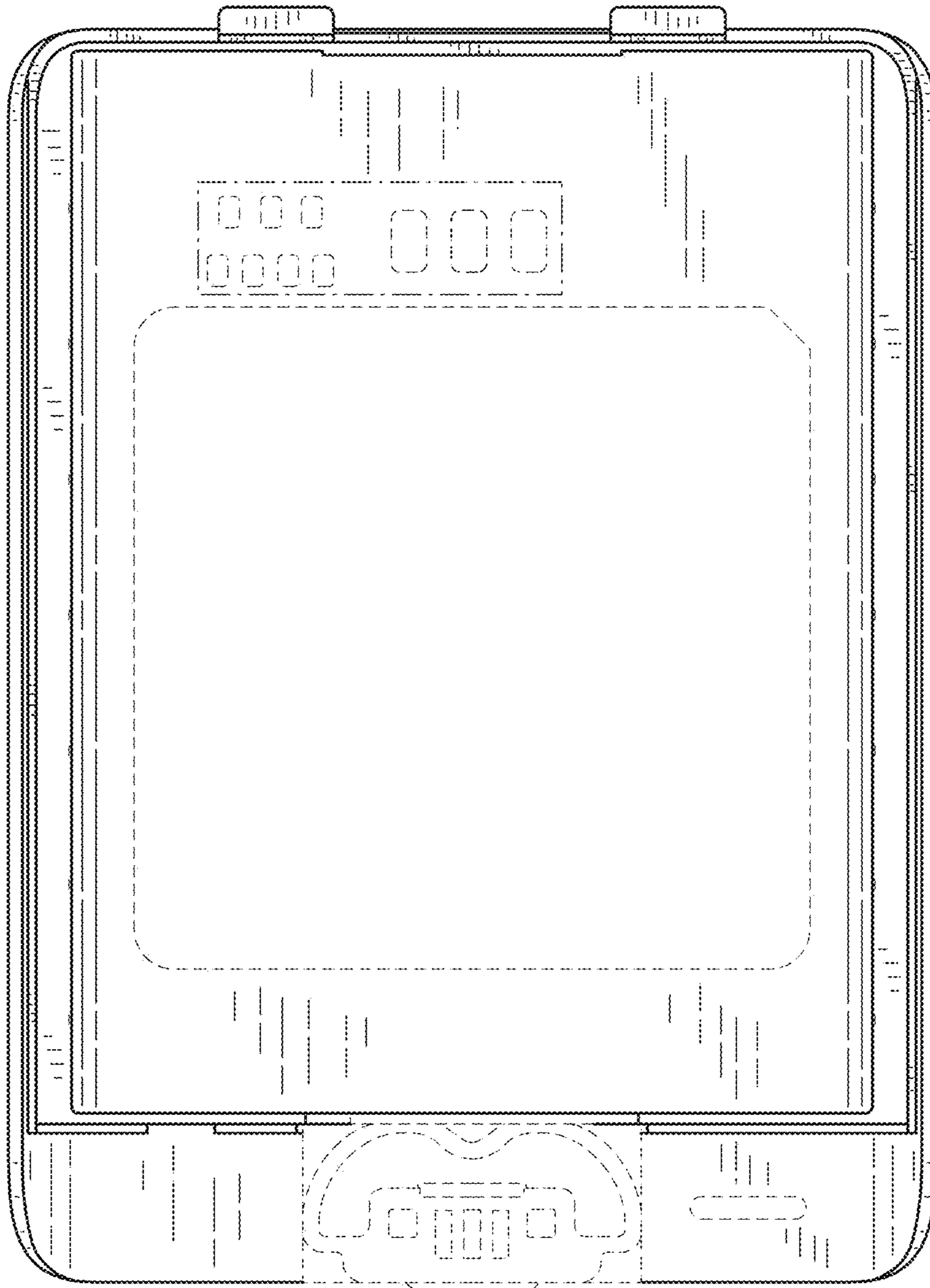


FIG.3

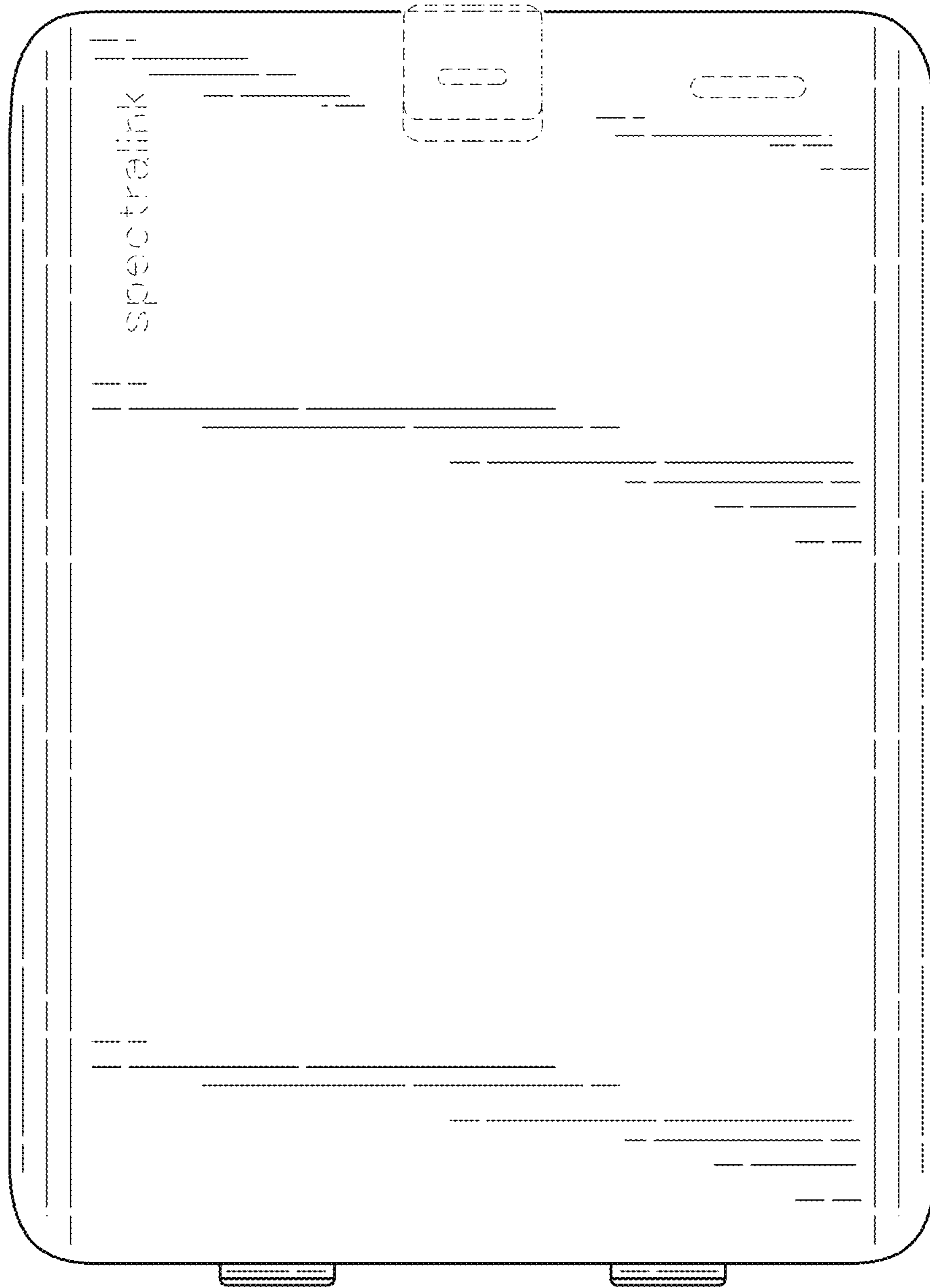


FIG.4

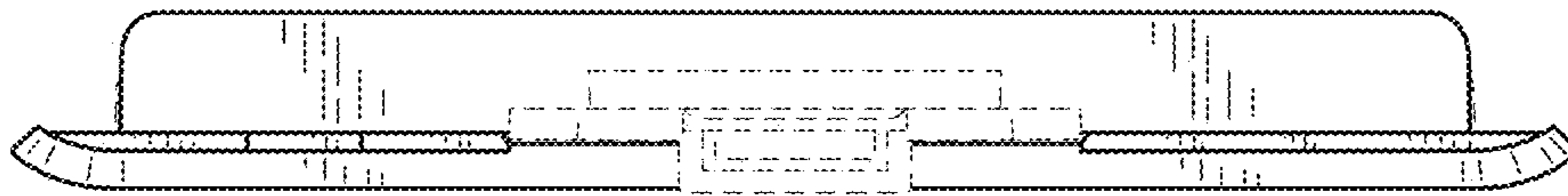


FIG. 5

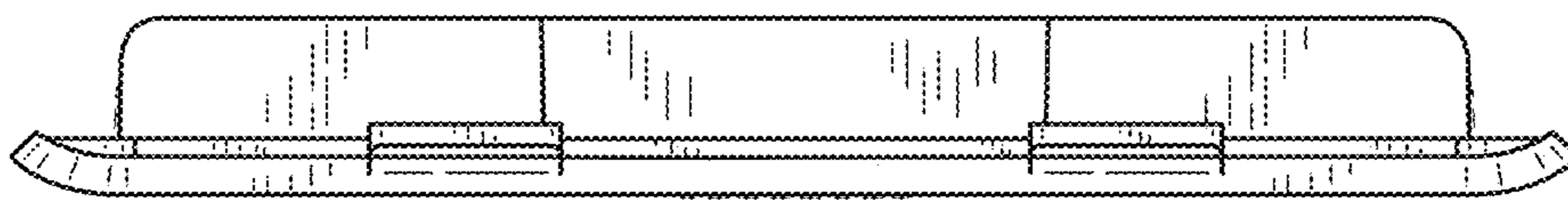


FIG. 6

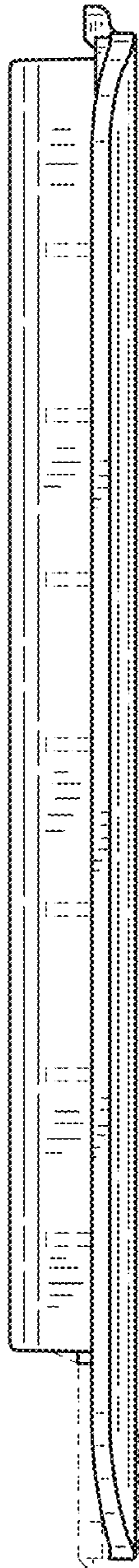


FIG. 7

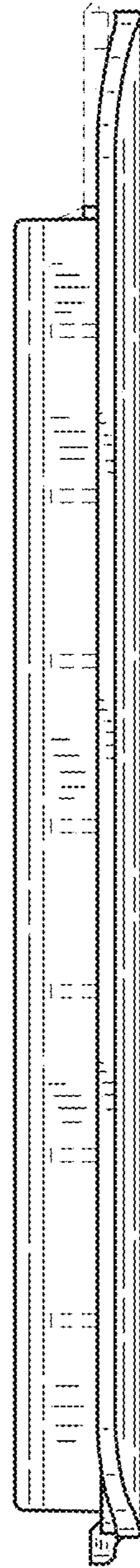


FIG. 8