



US00D911921S

(12) **United States Design Patent** (10) **Patent No.:** **US D911,921 S**  
**McKibben et al.** (45) **Date of Patent:** **\*\* Mar. 2, 2021**

(54) **SOLAR PANEL SUPPORT**

(71) Applicant: **SUNPOWER CORPORATION**, San Jose, CA (US)

(72) Inventors: **Nicholas McKibben**, Oakland, CA (US); **Sushrut Bapat**, Alameda, CA (US); **Gary Rossi**, Pleasant Hill, CA (US); **Elizabeth Schulte**, Oakland, CA (US); **Jeremy Mansell**, Berkeley, CA (US); **John Kapla**, Mill Valley, CA (US); **Andrew Wolf**, Burlingame, CA (US)

(73) Assignee: **SUNPOWER CORPORATION**, San Jose, CA (US)

(\*\*) Term: **15 Years**

(21) Appl. No.: **29/701,477**

(22) Filed: **Aug. 12, 2019**

**Related U.S. Application Data**

(63) Continuation of application No. 16/529,375, filed on Aug. 1, 2019, now Pat. No. 10,533,337, which is a (Continued)

(51) **LOC (13) Cl.** ..... **13-02**

(52) **U.S. Cl.**  
USPC ..... **D13/102**

(58) **Field of Classification Search**

USPC ..... D13/102, 101, 118, 119, 184, 199;  
52/173.3; 126/569, 600, 669, 704;  
136/243-265; 359/850, 851, 852;  
385/144, 900  
CPC ..... H01L 31/04; H01L 31/18; H01L 31/026;  
H01L 31/042; H01L 31/048; H01L  
31/052; H01L 31/0216; E04H 12/20;  
F24J 2/38; F24J 2/52; F24J 2/5205; F24J  
2/5232; F24S 25/50; H02S 20/10; Y10T  
29/49826; Y02E 10/47

See application file for complete search history.

(56) **References Cited**

U.S. PATENT DOCUMENTS

4,172,739 A \* 10/1979 Tassen ..... H02S 20/32  
136/246

6,930,237 B2 8/2005 Mattiuzzo  
(Continued)

FOREIGN PATENT DOCUMENTS

DE 102009017337 A1 10/2010

DE 102016117648 A1 9/2017

(Continued)

*Primary Examiner* — Derrick E Holland

(74) *Attorney, Agent, or Firm* — Oblon, McClelland,  
Maier & Neustadt, L.L.P.

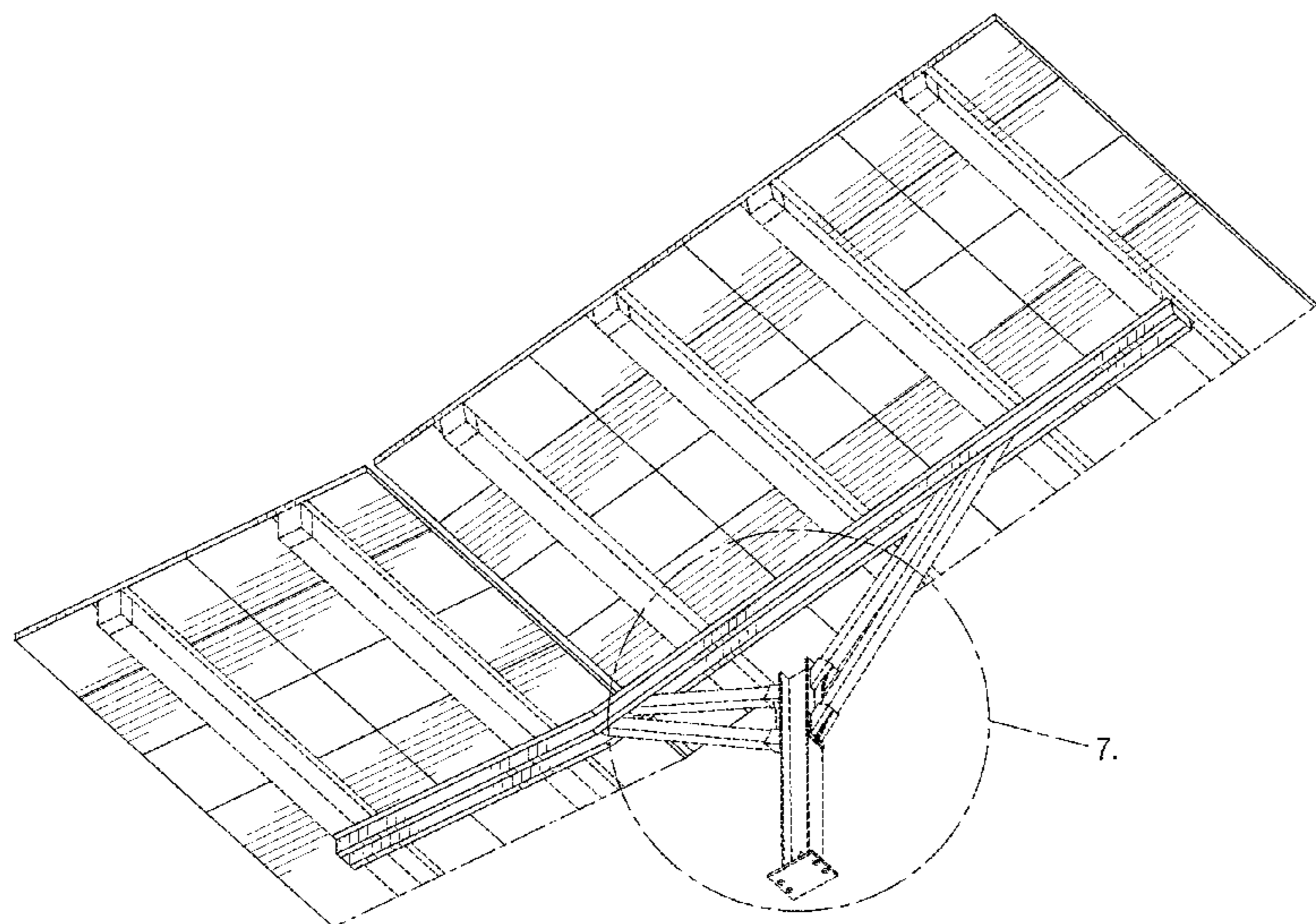
(57) **CLAIM**

The ornamental design for a solar panel support, as shown and described.

**DESCRIPTION**

FIG. 1 is a front elevational view of a solar panel support showing our new design, the rear elevational view being a mirror image of the front elevational view;  
FIG. 2 is a right side elevational view thereof;  
FIG. 3 is a left side elevational view thereof;  
FIG. 4 is a bottom plan view thereof;  
FIG. 5 is a top plan view thereof;  
FIG. 6 is a front, bottom, and right side perspective view thereof; and,  
FIG. 7 is an enlarged view from callout circle 7 of FIG. 6. The evenly spaced broken lines in the drawings illustrate portions of the solar panel support that form no part of the claimed design. The dot-dash broken lines represent the boundary of the claimed design and form no part thereof.

**1 Claim, 6 Drawing Sheets**



**Related U.S. Application Data**

continuation of application No. 15/936,021, filed on Mar. 26, 2018, now Pat. No. 10,428,547, which is a continuation of application No. 29/639,281, filed on Mar. 5, 2018, now Pat. No. Des. 850,363.

(56) **References Cited**

U.S. PATENT DOCUMENTS

D565,505	S *	4/2008	Shugar .....	D13/102
7,531,741	B1	5/2009	Melton et al.	
7,554,030	B2	6/2009	Shingleton	
D649,930	S *	12/2011	Lindor .....	D13/102
D657,738	S	4/2012	Mackler	
D663,683	S *	7/2012	Fischer .....	D13/102
D721,644	S *	1/2015	Shimada .....	D13/102
9,202,396	B2	12/2015	Mackler	
2005/0284467	A1 *	12/2005	Patterson .....	G01S 3/7861 126/580
2010/0132769	A1	6/2010	Potter	
2011/0030285	A1	2/2011	Kauffman	
2011/0146661	A1	6/2011	Dudas	
2014/0209146	A1 *	7/2014	Park .....	F24S 25/12 136/246
2015/0288324	A1 *	10/2015	Habdank .....	H02S 20/30 52/64
2016/0138832	A1	5/2016	Thramann	
2018/0062563	A1 *	3/2018	Bapat .....	H02S 20/23

FOREIGN PATENT DOCUMENTS

FR	2944042	B1	5/2015
WO	2010/123929	Z1	10/2010

\* cited by examiner

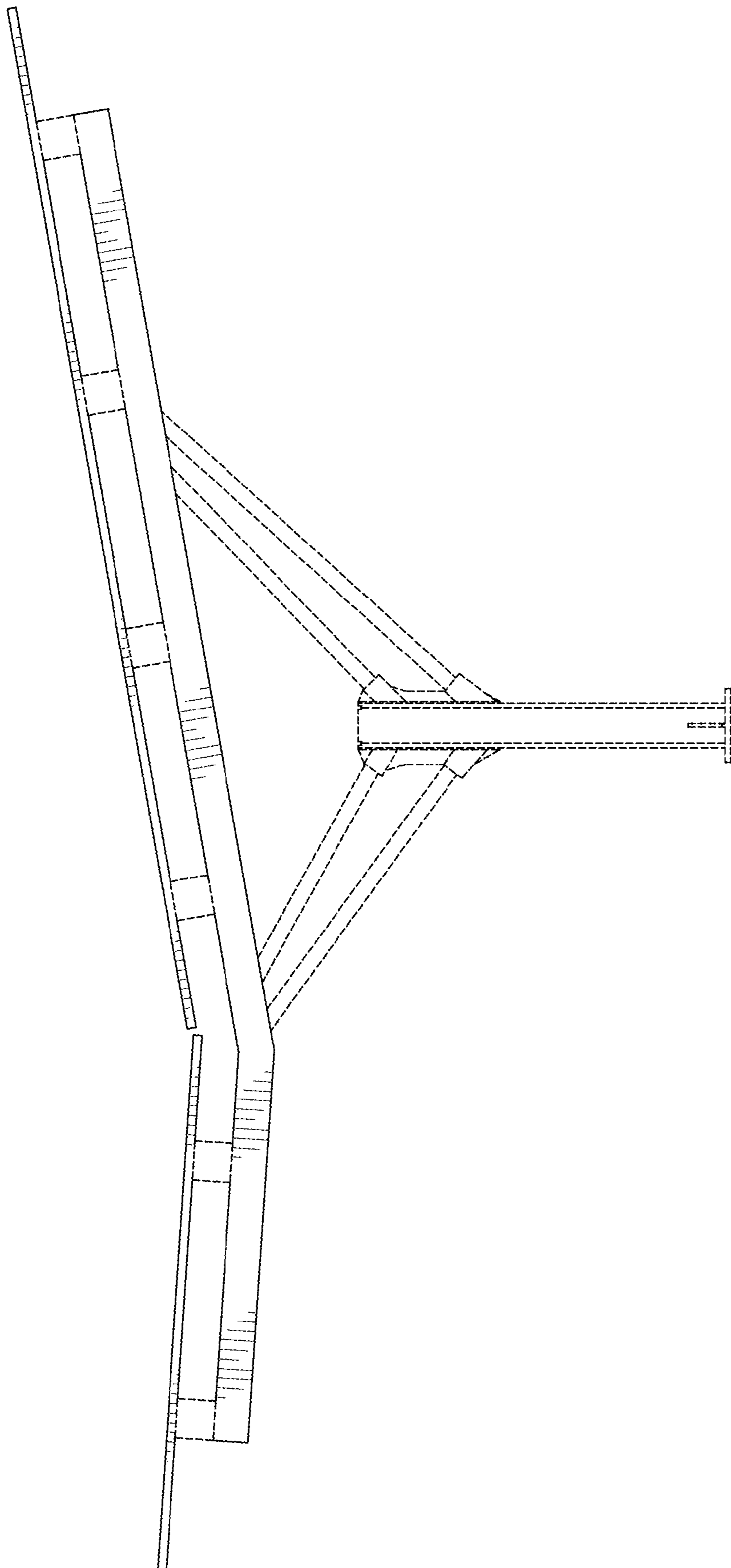


FIG. 1

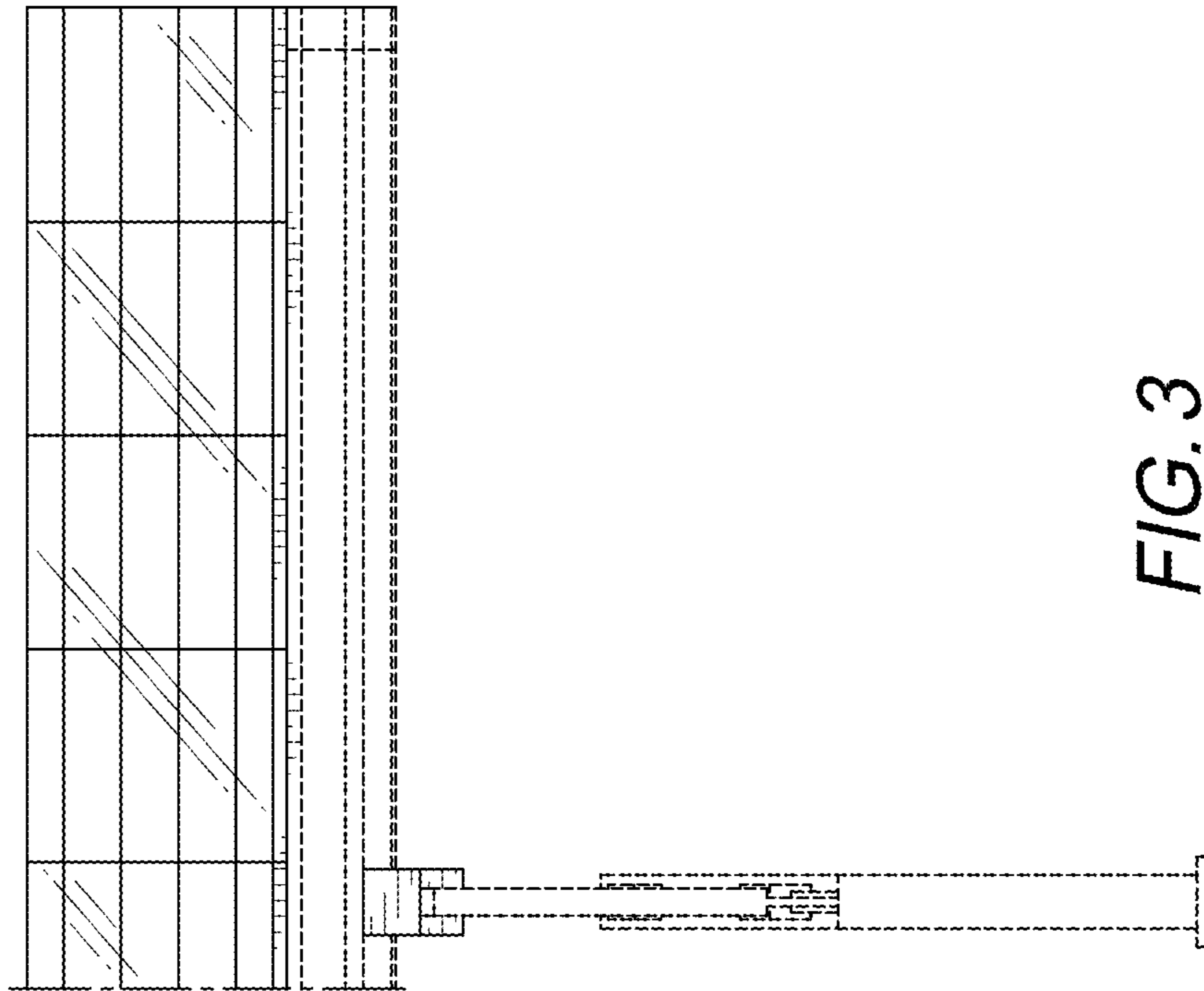


FIG. 3

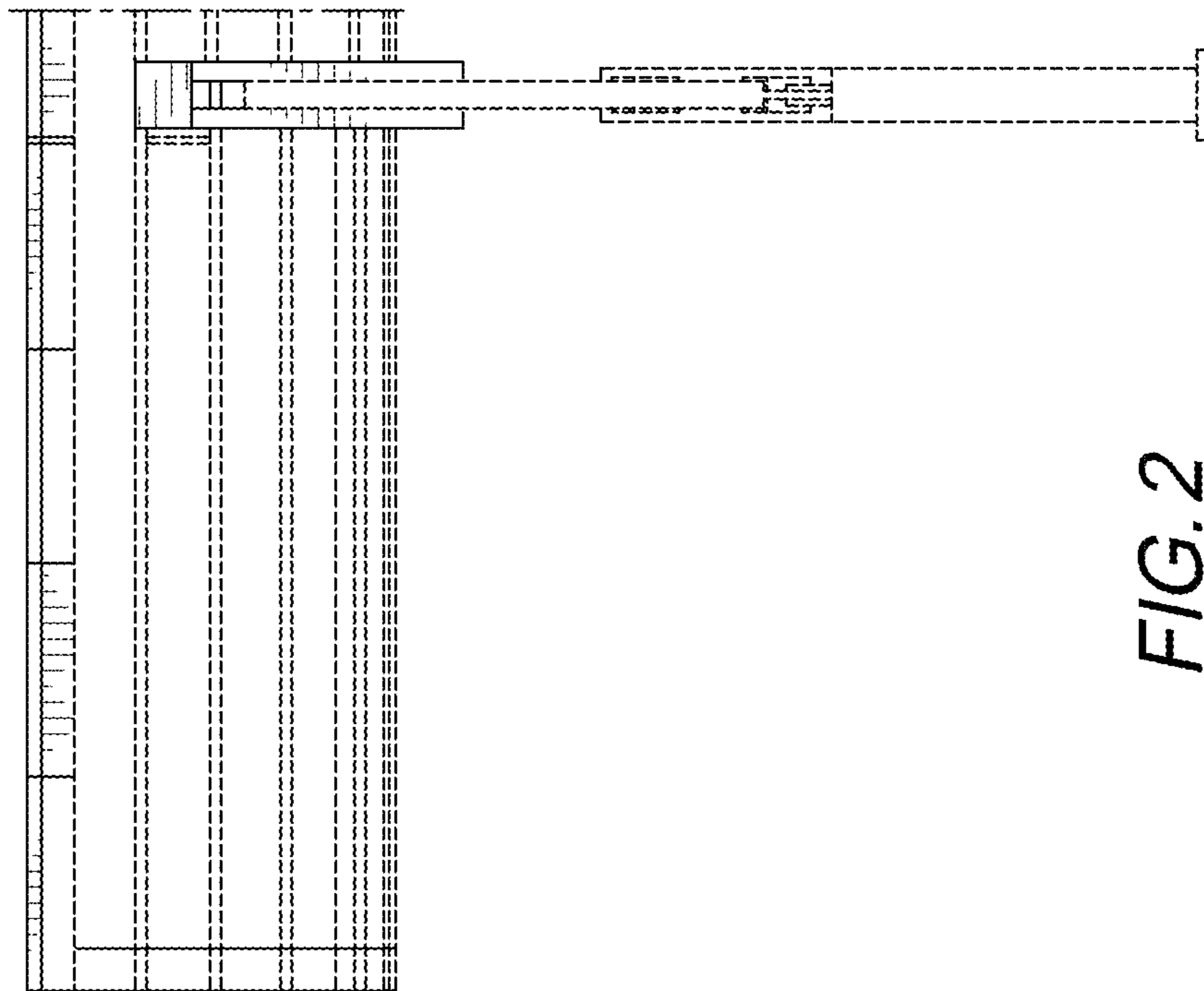


FIG. 2

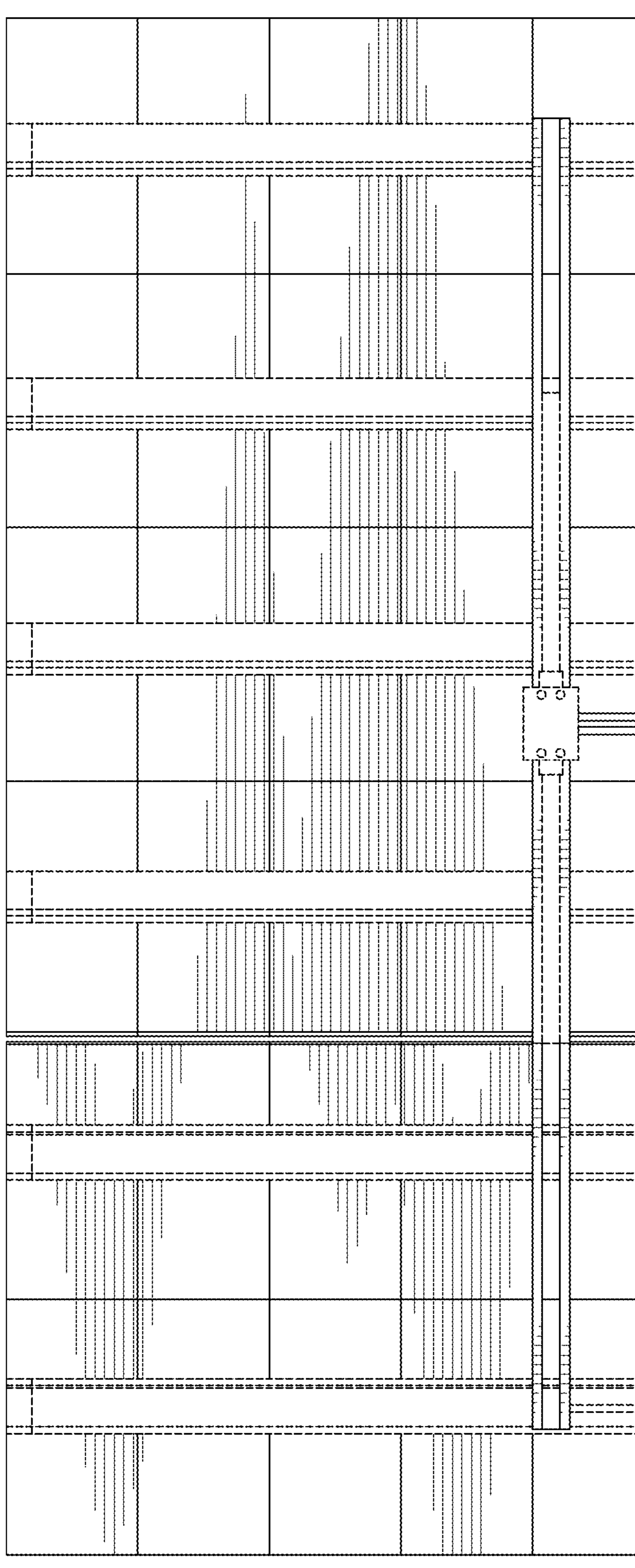


FIG. 4

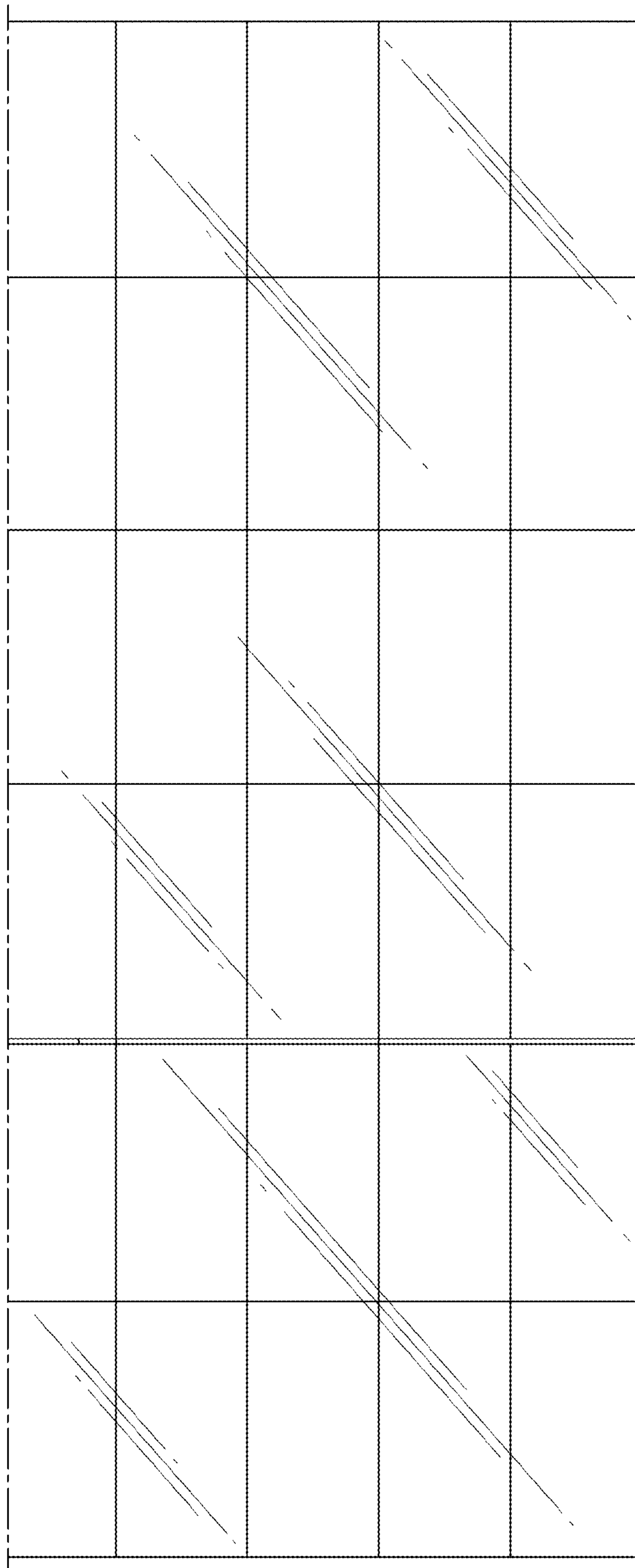
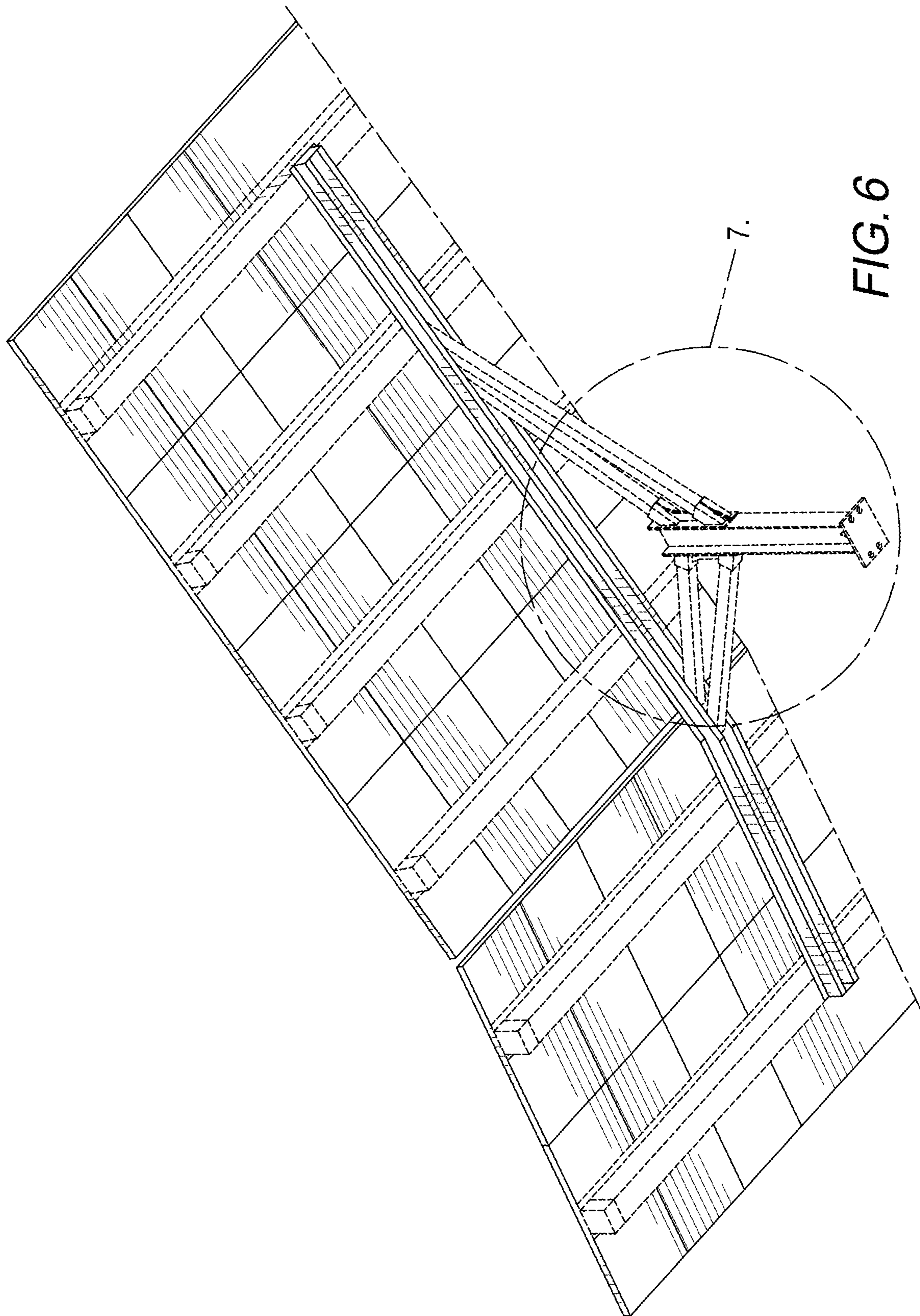


FIG. 5



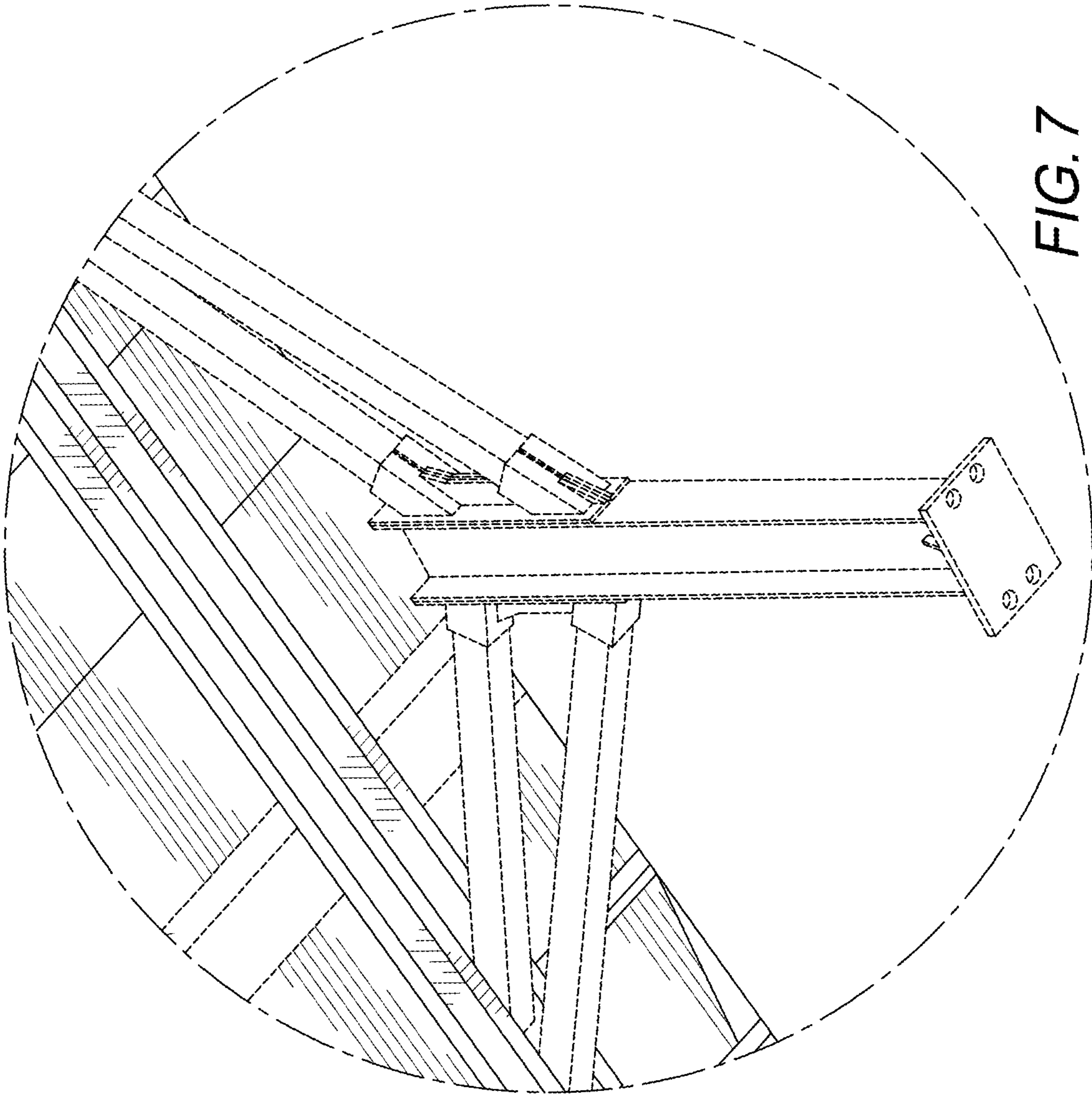


FIG. 7