



US00D911919S

(12) **United States Design Patent**  
**Miyazaki**

(10) **Patent No.:** **US D911,919 S**  
(45) **Date of Patent:** **\*\* Mar. 2, 2021**

(54) **TIRE**  
(71) Applicant: **Toyo Tire Corporation**, Itami (JP)  
(72) Inventor: **Tetsuji Miyazaki**, Itami (JP)  
(73) Assignee: **Toyo Tire Corporation**, Itami (JP)  
(\*\*) Term: **15 Years**

D762,557 S \* 8/2016 Xue ..... D12/586  
D770,367 S \* 11/2016 Schimmoeller, Jr. .... D12/588  
D812,550 S \* 3/2018 Digman ..... D12/588  
D816,021 S 4/2018 Hiser  
D817,858 S 5/2018 Poling et al.  
D842,229 S \* 3/2019 Schoeppner ..... D12/588  
D856,910 S \* 8/2019 Mishima ..... D12/588  
D861,583 S \* 10/2019 Zimmerman ..... D12/588  
D880,409 S \* 4/2020 Horiguchi ..... D12/588  
D904,287 S \* 12/2020 Binder ..... D12/594

(21) Appl. No.: **29/700,124**  
(22) Filed: **Jul. 31, 2019**

**FOREIGN PATENT DOCUMENTS**

CN 304592979 S 4/2018  
\* cited by examiner

(30) **Foreign Application Priority Data**  
Feb. 27, 2019 (JP) ..... 2019-004016  
(51) **LOC (13) Cl.** ..... **12-15**  
(52) **U.S. Cl.**  
USPC ..... **D12/601**  
(58) **Field of Classification Search**  
USPC ..... D12/579, 582, 583, 584, 586, 588, 590,  
D12/594, 595, 600, 601, 604  
CPC ..... B60C 11/03; B60C 11/0306; B60C  
2011/0337  
See application file for complete search history.

*Primary Examiner* — Robert M. Spear  
(74) *Attorney, Agent, or Firm* — Sterne, Kessler,  
Goldstein & Fox P.L.L.C.

(57) **CLAIM**

The ornamental design for a tire, as shown and described.

**DESCRIPTION**

FIG. 1 is a front perspective view of a tire showing the claimed design;  
FIG. 2 is a front view thereof;  
FIG. 3 is a rear view thereof;  
FIG. 4 is a top plan view thereof;  
FIG. 5 is a bottom plan view thereof;  
FIG. 6 is a right side view thereof;  
FIG. 7 is a left side view thereof;  
FIG. 8 is an enlarged view taken along line 8-8 in FIG. 1;  
FIG. 9 is an enlarged view of the portion 9-9 in FIG. 2; and,  
FIG. 10 is a cross-sectional view taken along line 10-10 in FIG. 9.

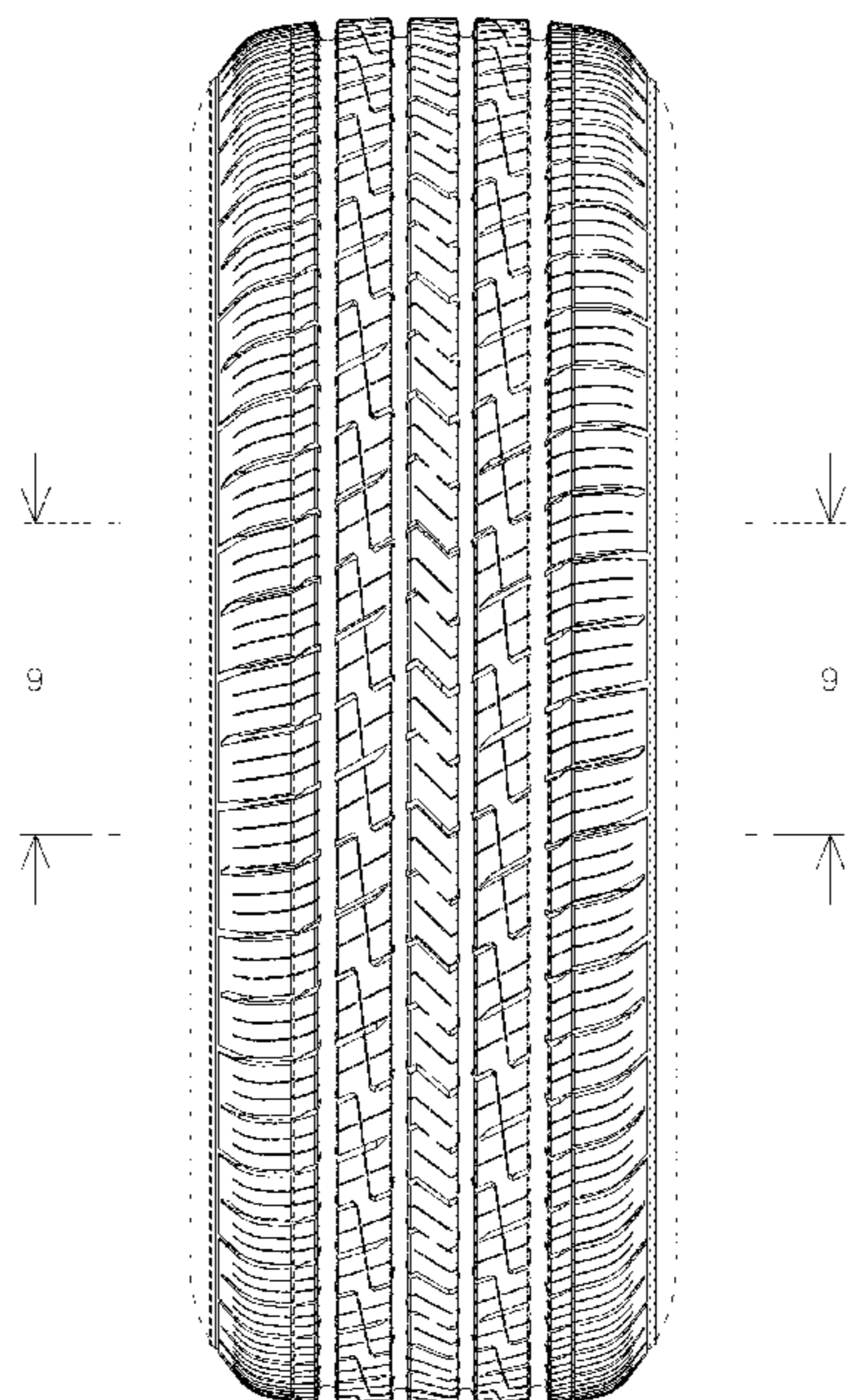
In the drawings, the broken lines show portions of the tire that form no part of the claimed design.

**1 Claim, 10 Drawing Sheets**

(56) **References Cited**

**U.S. PATENT DOCUMENTS**

D458,213 S \* 6/2002 Guspodin ..... D12/590  
D550,609 S \* 9/2007 Ibaraki ..... D12/601  
D583,310 S \* 12/2008 Dixon ..... D12/588  
D584,680 S \* 1/2009 Hutz ..... D12/586  
D616,358 S \* 5/2010 Miyazaki ..... D12/601  
D729,154 S \* 5/2015 Kwak ..... D12/588  
D738,294 S \* 9/2015 Koog ..... D12/601  
D740,215 S \* 10/2015 Wang ..... D12/588  
D740,745 S \* 10/2015 Tian ..... D12/586  
D756,295 S \* 5/2016 Pingonat ..... D12/588  
D757,642 S \* 5/2016 Kwak ..... D12/588



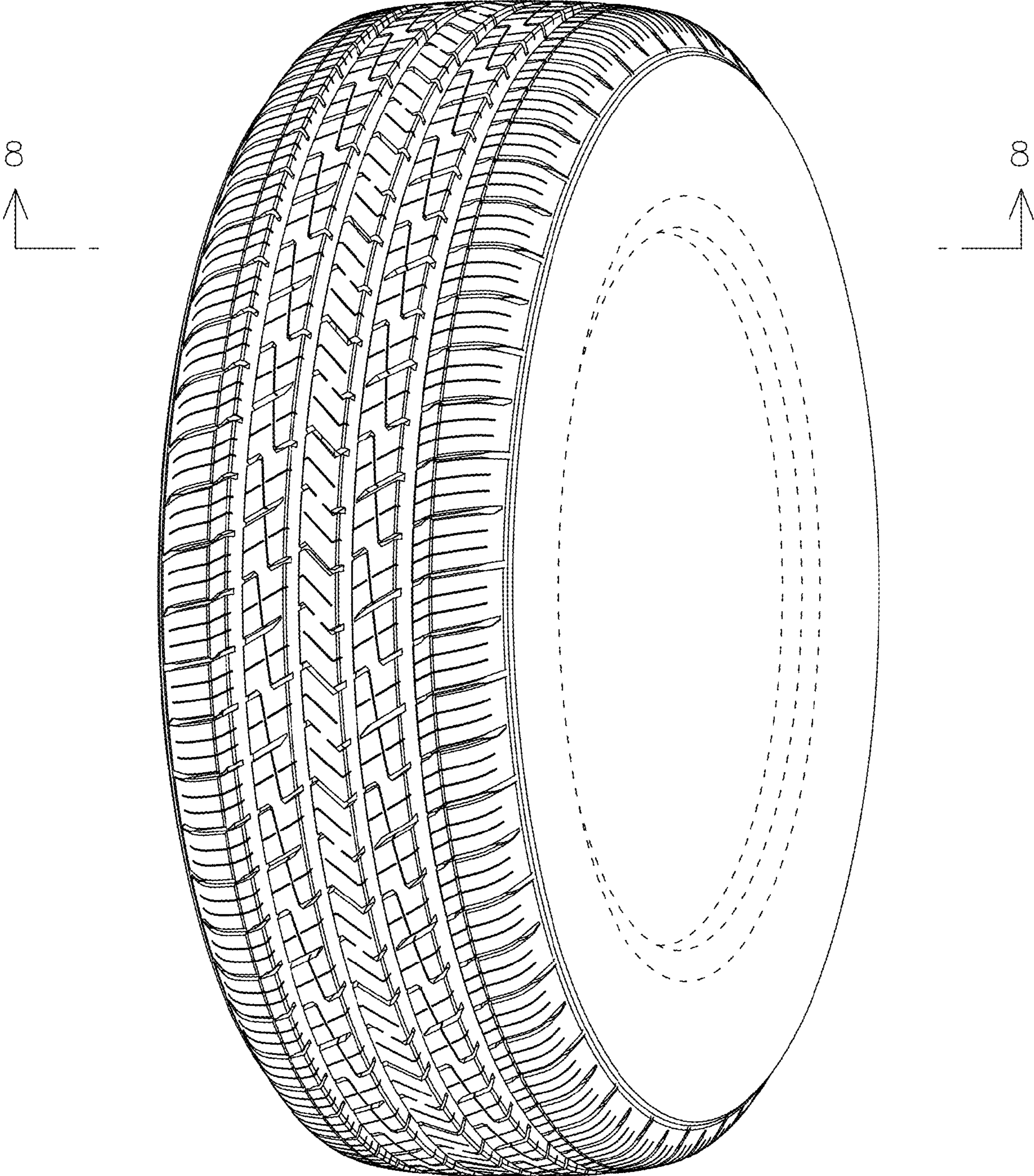


FIG. 1

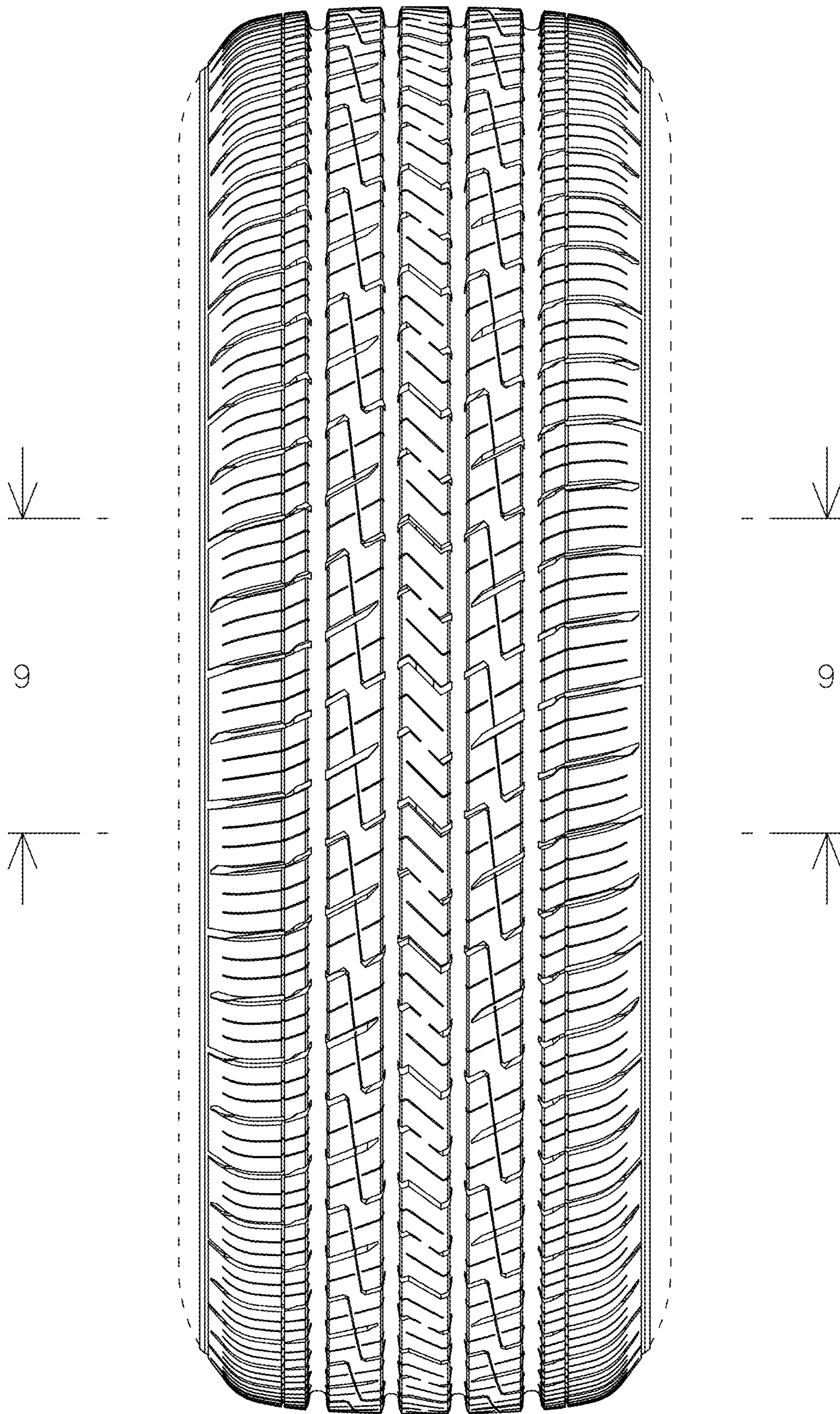


FIG. 2

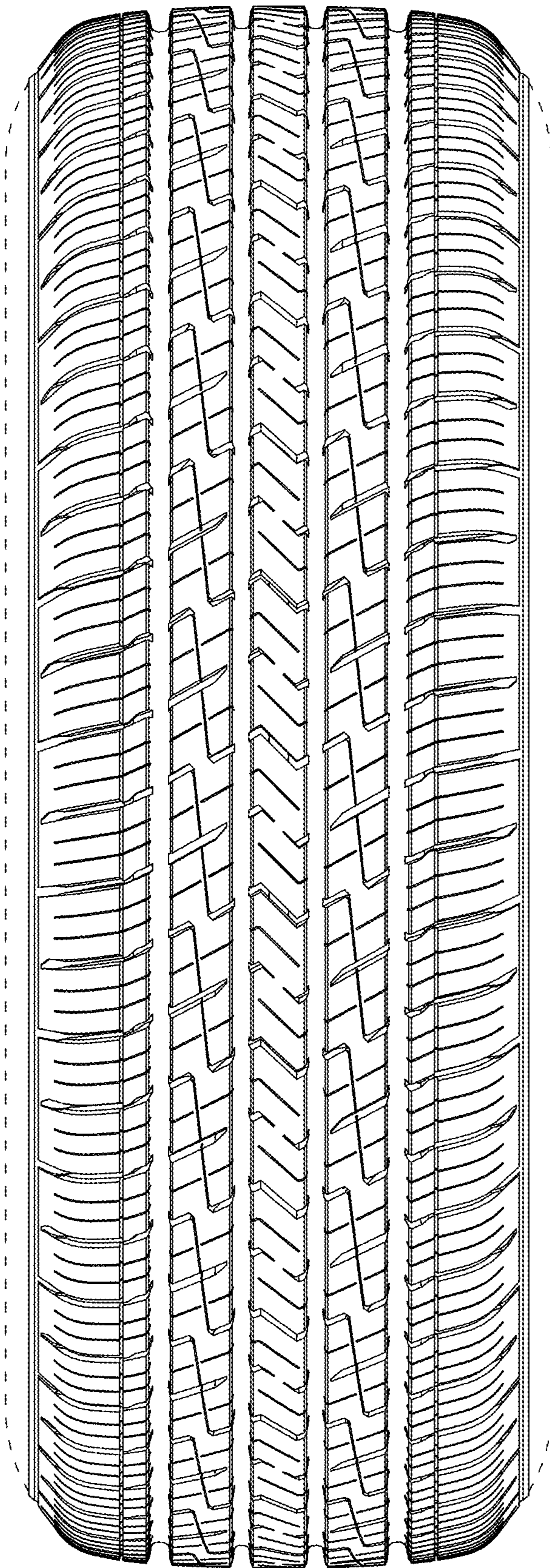


FIG. 3

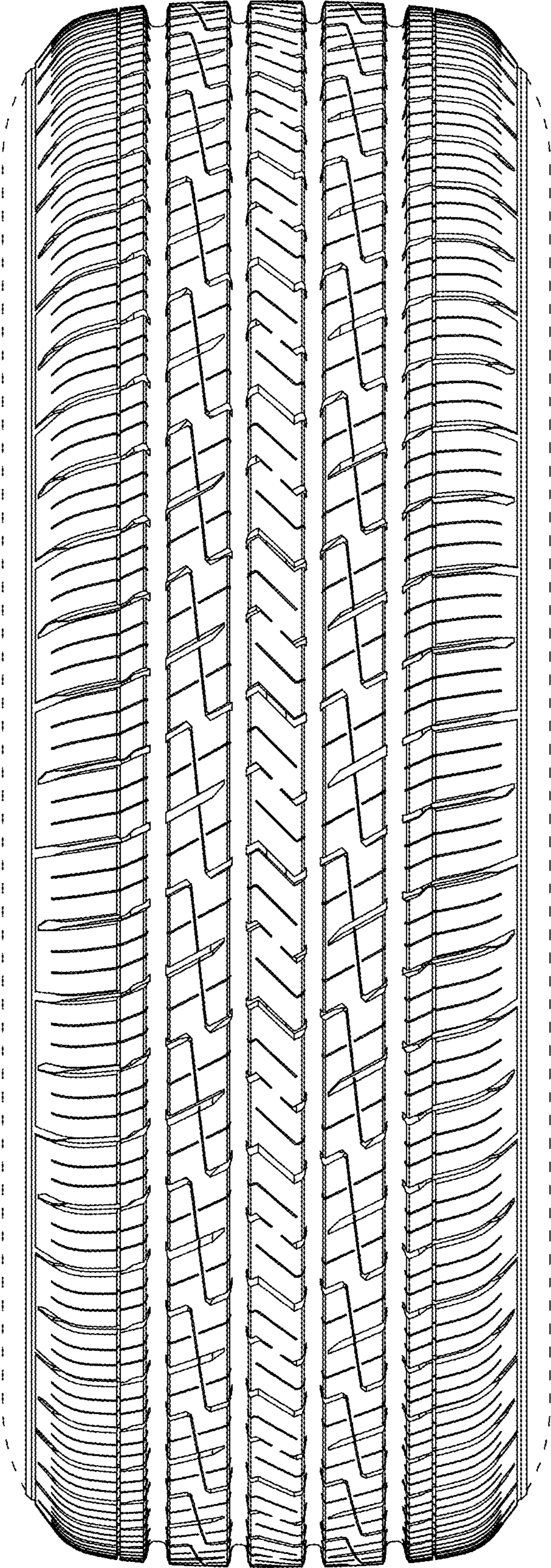


FIG. 4

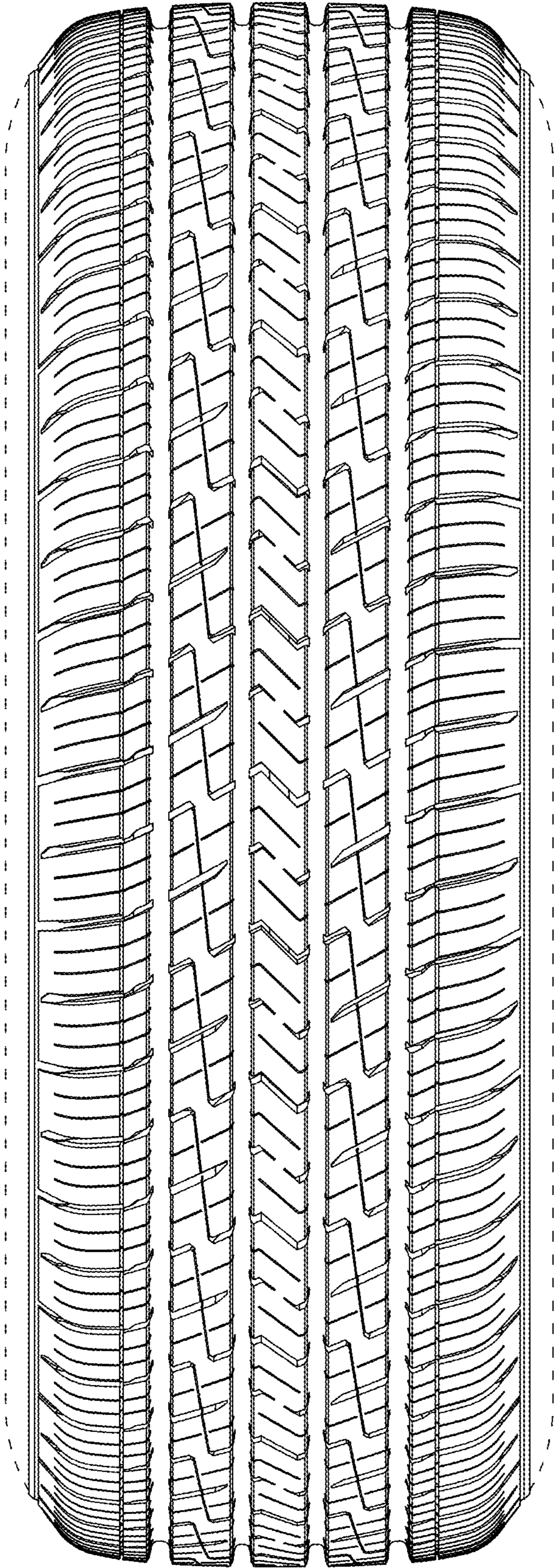


FIG. 5

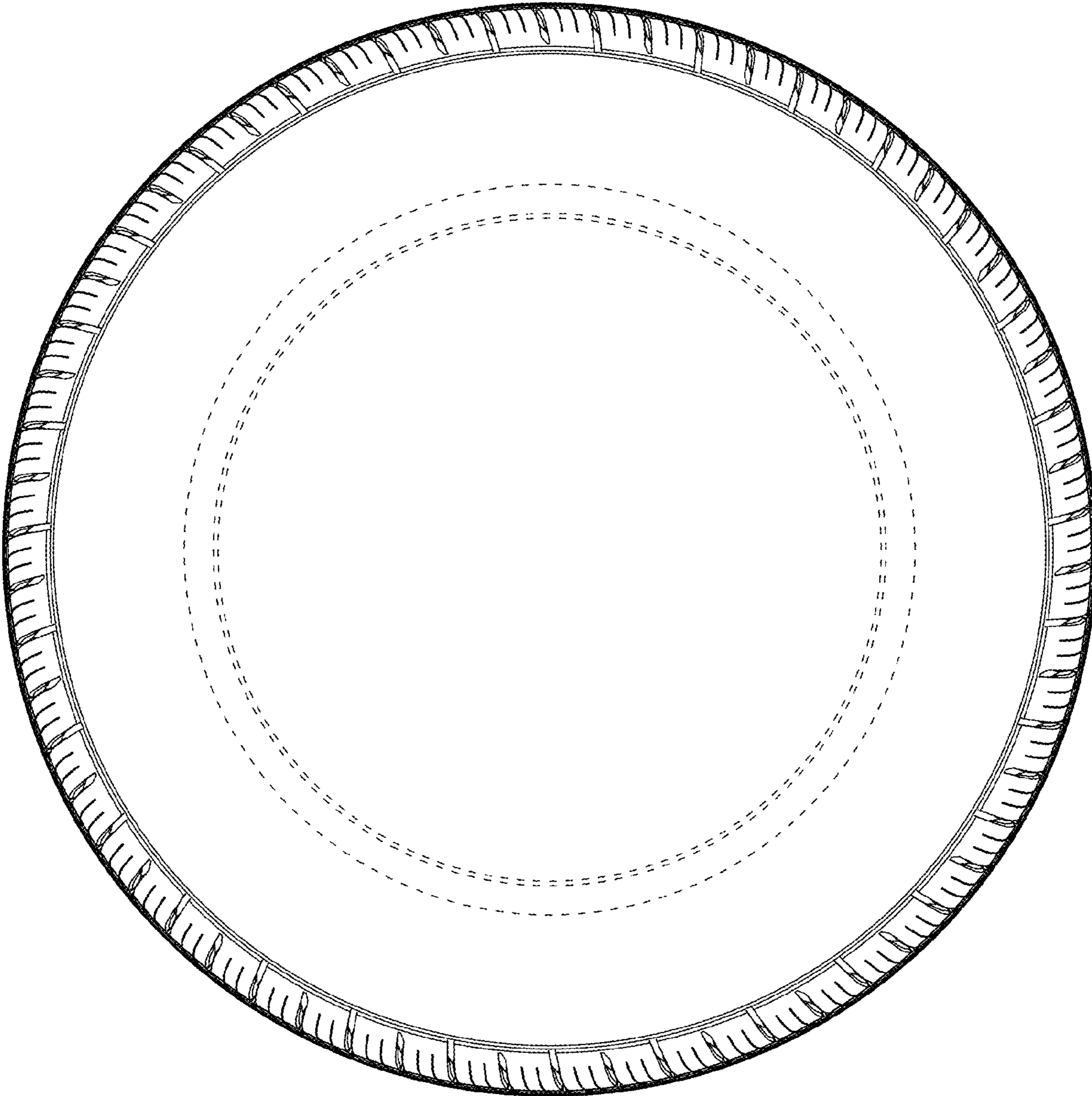


FIG. 6

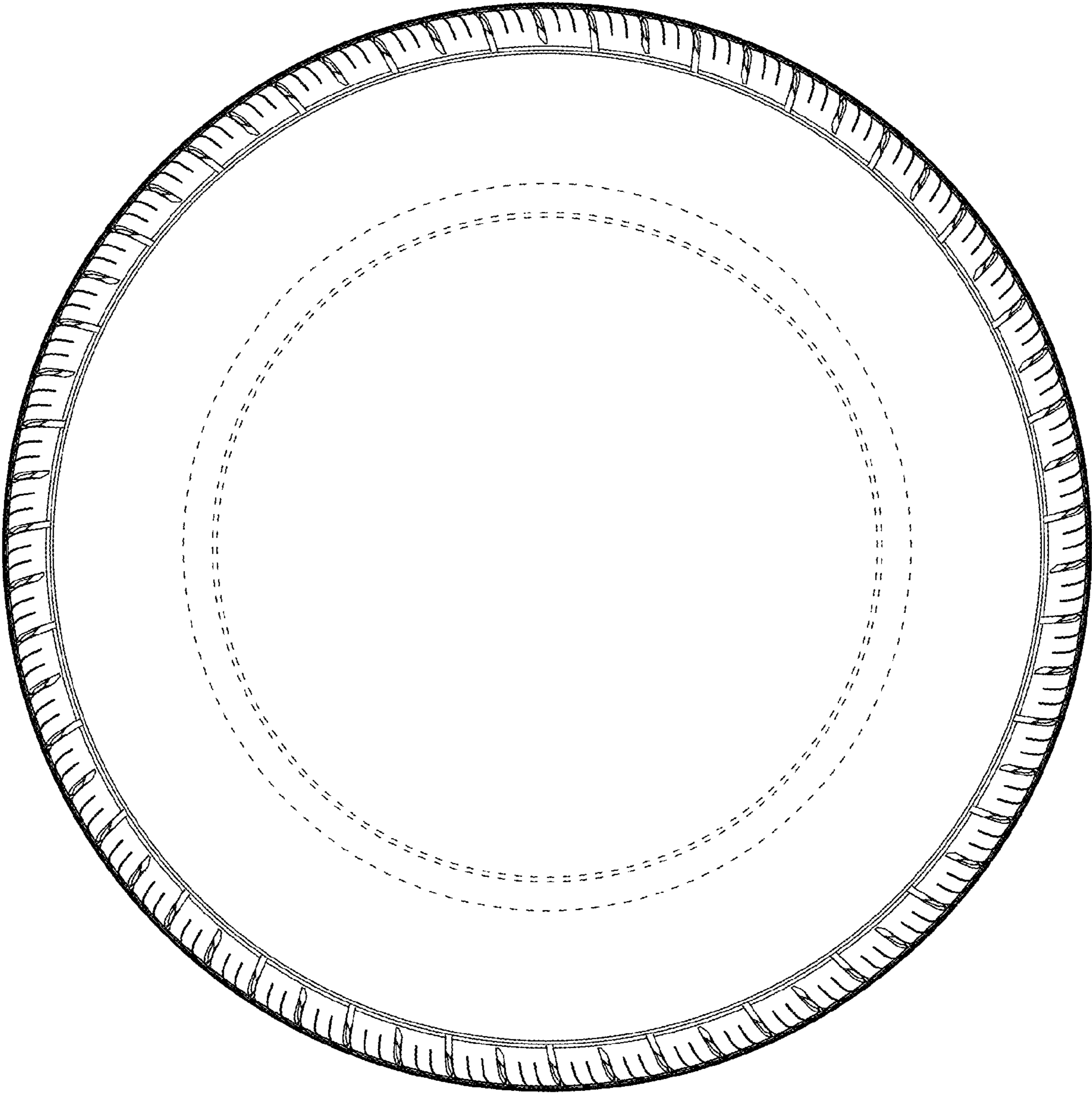


FIG. 7



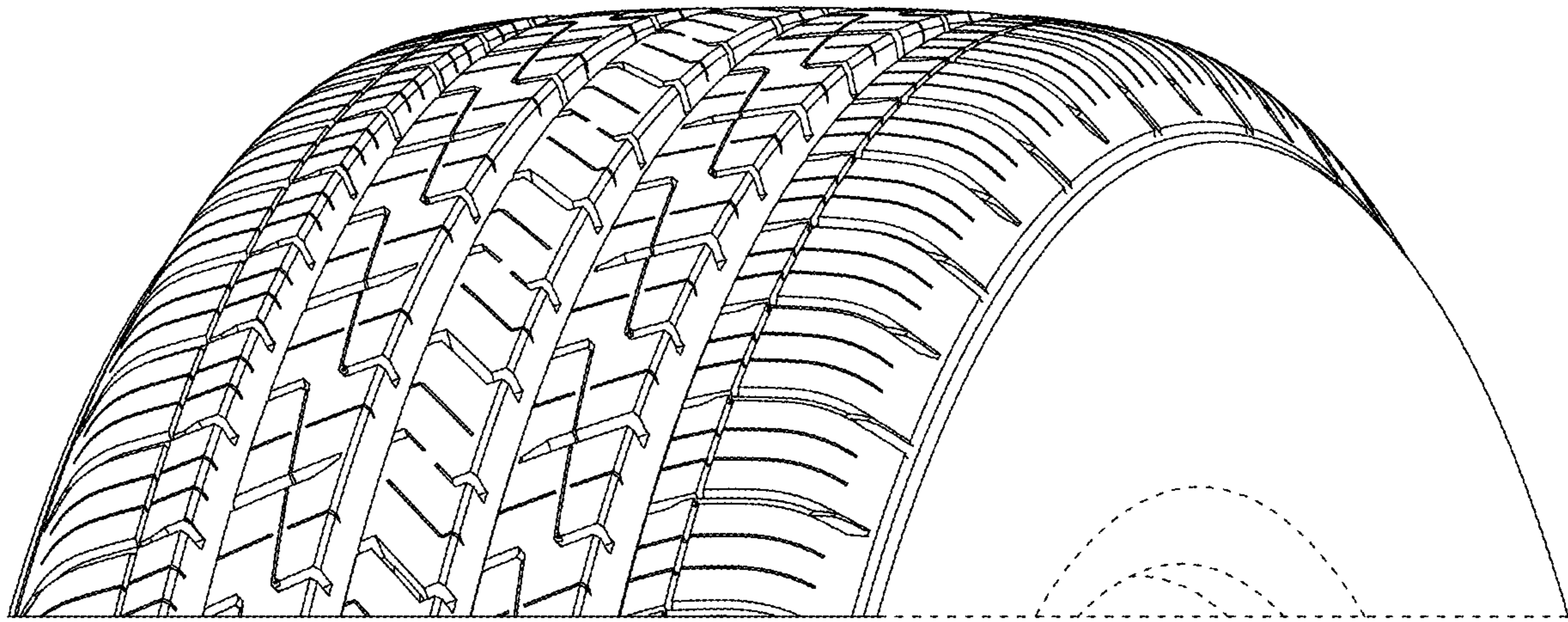


FIG. 8

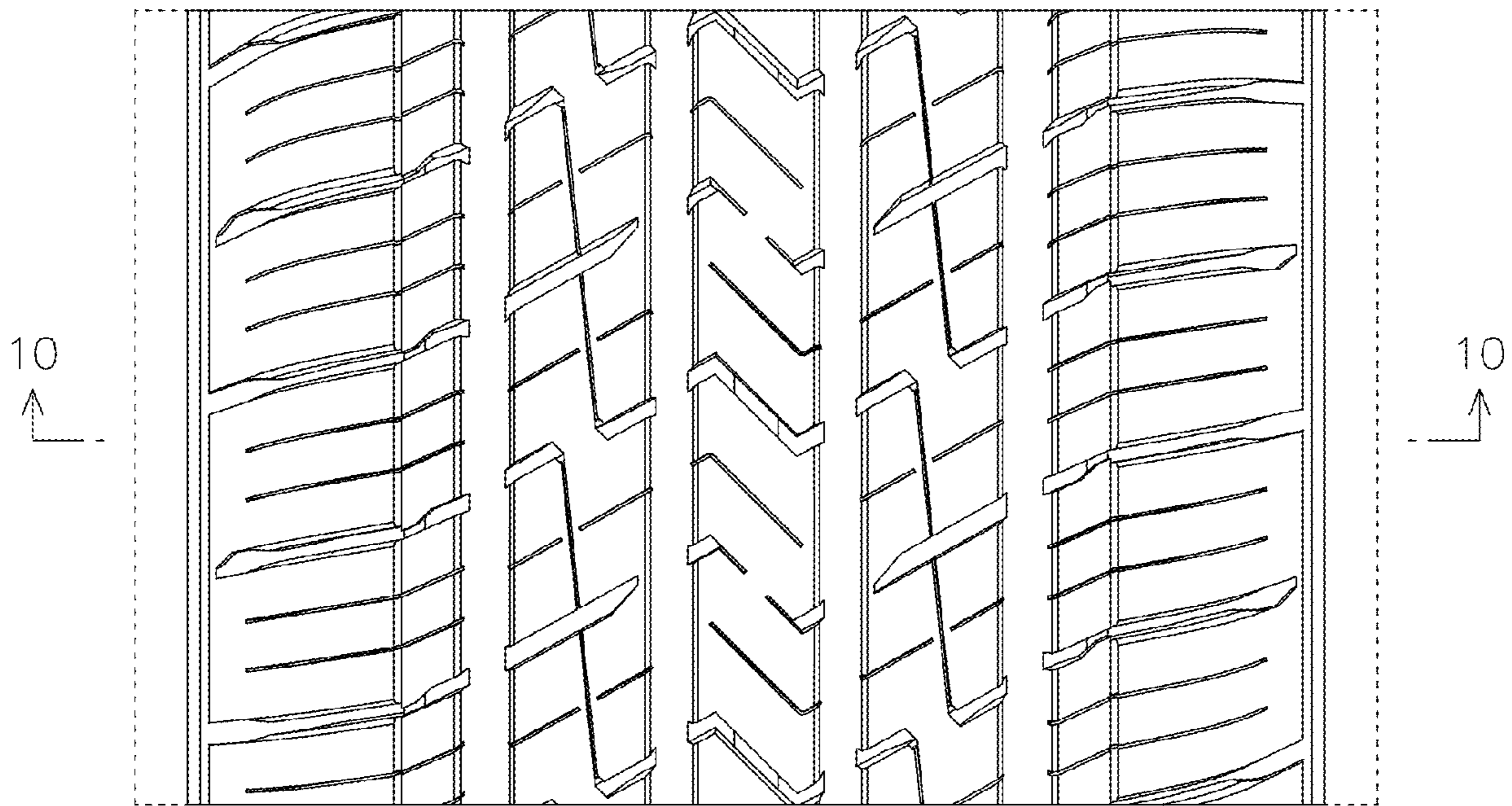


FIG. 9

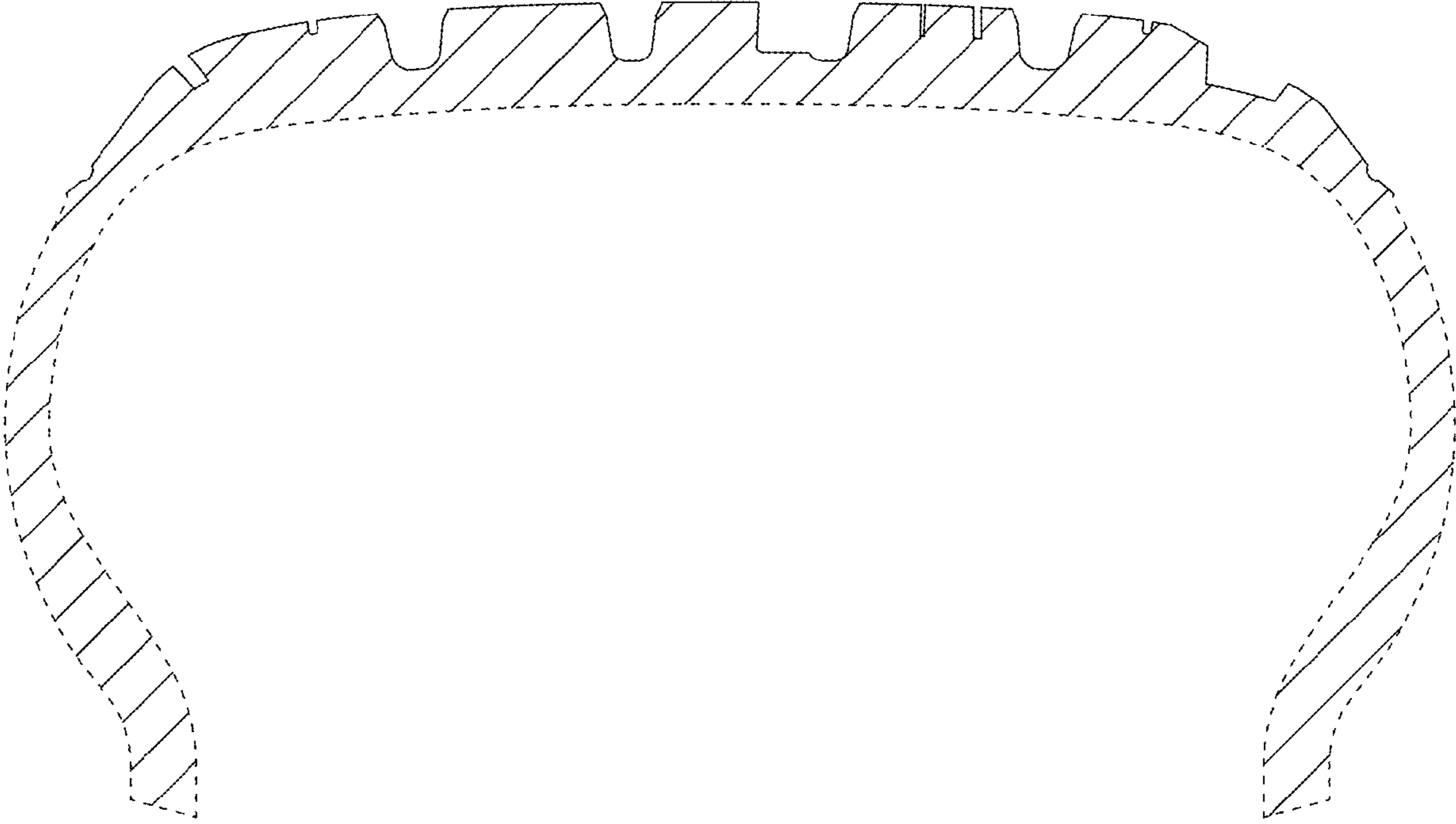


FIG. 10