



US00D911914S

(12) **United States Design Patent**
Dumont

(10) **Patent No.:** **US D911,914 S**

(45) **Date of Patent:** **** Mar. 2, 2021**

- (54) **CARGO BOX FOR A VEHICLE**
- (71) Applicant: **BOMBARDIER RECREATIONAL PRODUCTS INC., Valcourt (CA)**
- (72) Inventor: **Maxime Dumont, Verdun (CA)**
- (73) Assignee: **BOMBARDIER RECREATIONAL PRODUCTS INC., Valcourt (CA)**
- (**) Term: **15 Years**
- (21) Appl. No.: **29/698,375**
- (22) Filed: **Jul. 16, 2019**
- (51) **LOC (13) Cl.** **12-16**
- (52) **U.S. Cl.**
USPC **D12/413**
- (58) **Field of Classification Search**
USPC D12/93, 96, 98, 99, 100, 101, 114, 190,
D12/196, 223, 400, 401, 404, 406, 407,
D12/408, 409, 410, 412, 413, 414, 414.1;
D3/274; D6/552
CPC B60R 9/00; B60R 9/02; B60R 9/04; B60R
9/06; B60R 9/08; B60R 9/10; B60R
9/045; B60R 9/048; B60R 9/055; B60R
9/058; B62J 7/00; B62J 7/04
See application file for complete search history.

D317,868 S *	7/1991	Fielder	D12/414.1
5,080,250 A *	1/1992	Dickinson	B60R 9/00 220/608
D324,197 S *	2/1992	Dickinson	D12/414.1
D369,342 S *	4/1996	Williams	D12/414.1
5,601,206 A *	2/1997	Haas	B60R 9/00 16/254
5,685,467 A *	11/1997	Niemi	B60R 9/00 220/23.83
D403,654 S *	1/1999	Houry	D12/414.1
D448,167 S *	9/2001	Pangerc	D3/273
D491,199 S *	6/2004	Greene	D12/423
D495,878 S *	9/2004	Greene	224/410
D514,807 S *	2/2006	Concari	D3/273
D516,310 S *	3/2006	Brunson	D3/273
7,017,966 B2 *	3/2006	Clonan	B60R 9/00 224/404
D720,680 S *	1/2015	Vitoorapakorn	D12/414.1
D766,810 S *	9/2016	Haun	D12/414.1
10,286,543 B2 *	5/2019	Haun	A61J 1/03

* cited by examiner

Primary Examiner — Michael A. Pratt
Assistant Examiner — Adam C Mager
(74) *Attorney, Agent, or Firm* — BCF LLP

(57) **CLAIM**

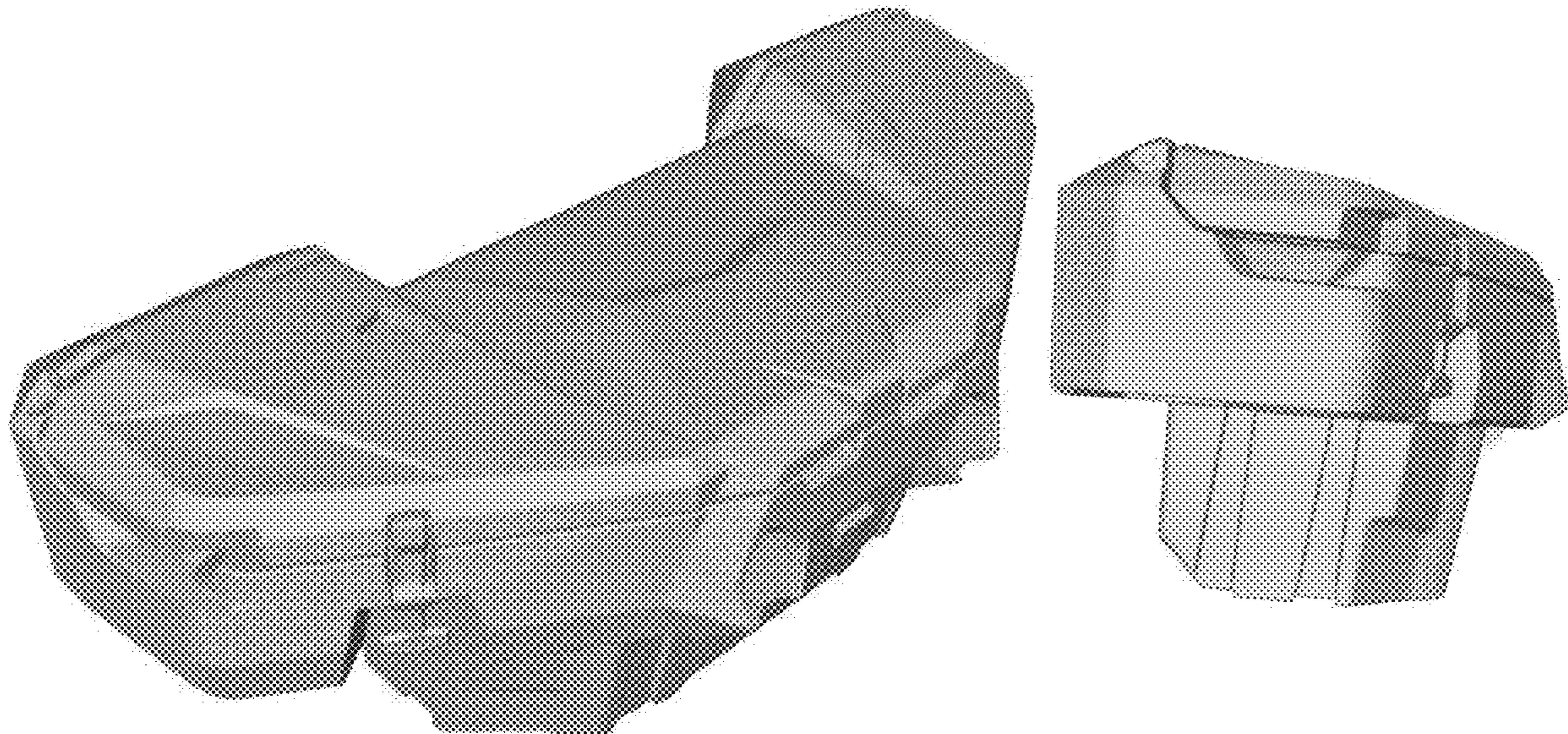
The ornamental design for a cargo box for a vehicle, as shown and described.

DESCRIPTION

FIG. 1 is a perspective view taken from a front, right side of a cargo box for a vehicle according to my design;
FIG. 2 is a perspective view taken from a front, left side thereof;
FIG. 3 is a front elevation view thereof;
FIG. 4 is a rear elevation view thereof;
FIG. 5 is a left side elevation view thereof;
FIG. 6 is a right side elevation view thereof;
FIG. 7 is a top plan view thereof; and,
FIG. 8 is a bottom plan view thereof.

1 Claim, 8 Drawing Sheets

- (56) **References Cited**
U.S. PATENT DOCUMENTS
- D259,413 S * 6/1981 Rehkopf 224/404
- 4,288,011 A * 9/1981 Grossman B60R 9/00
224/404
- D274,139 S * 6/1984 Suffern D12/414.1
- D285,673 S * 9/1986 Waters D12/414.1
- D294,816 S * 3/1988 Hoyt D12/414.1
- D294,935 S * 3/1988 Grossman D12/414.1
- 4,967,944 A * 11/1990 Waters B60R 9/00
224/404
- D317,720 S * 6/1991 Fielder D12/414.1



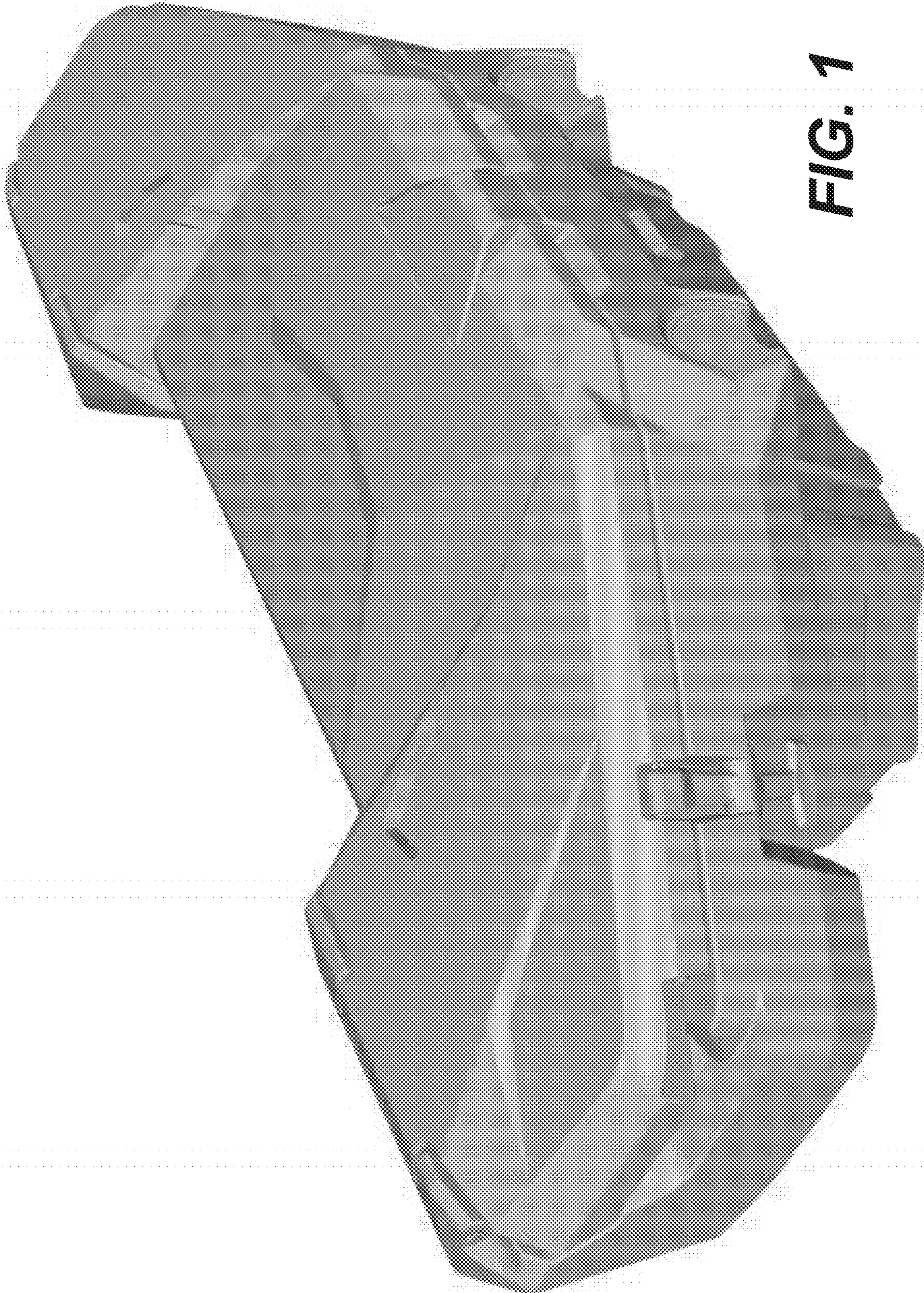


FIG. 1

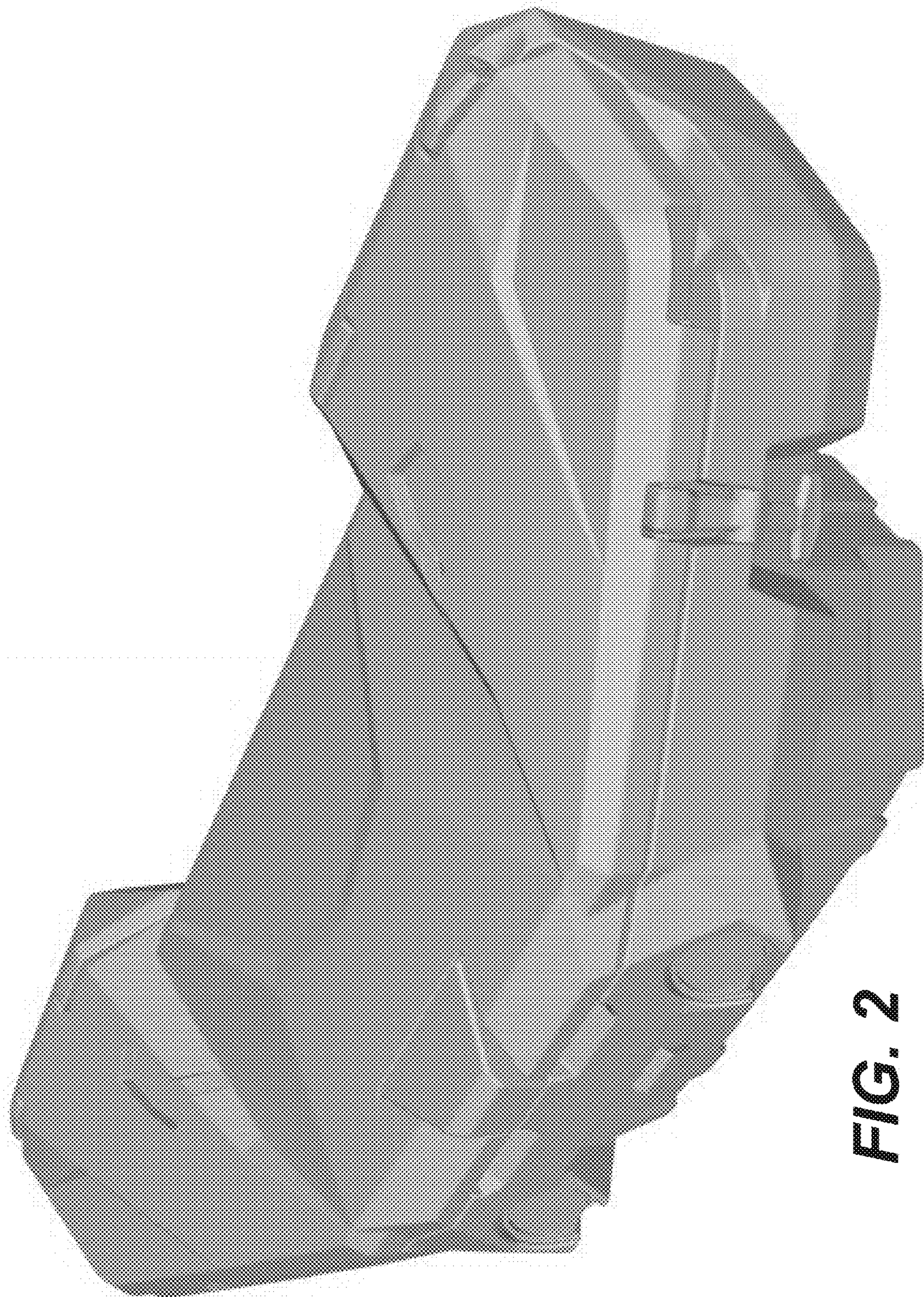


FIG. 2

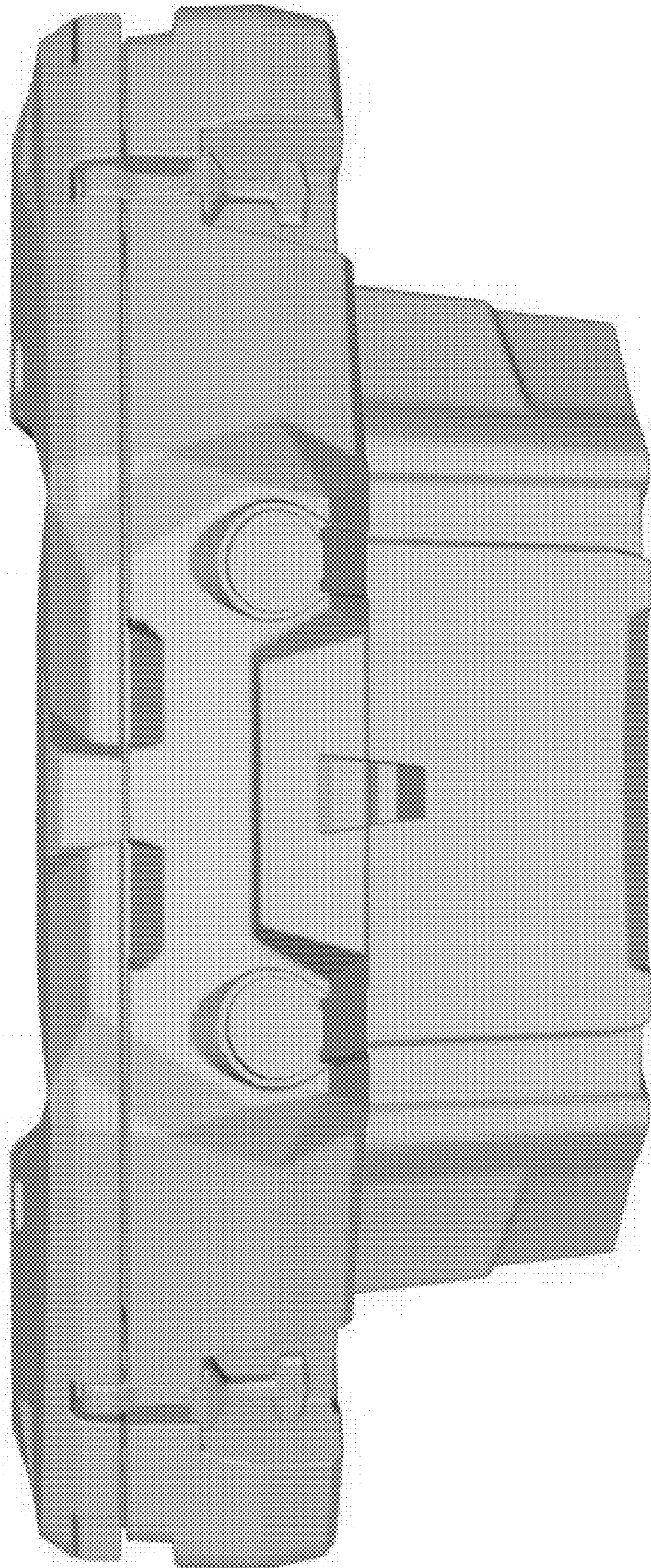


FIG. 3

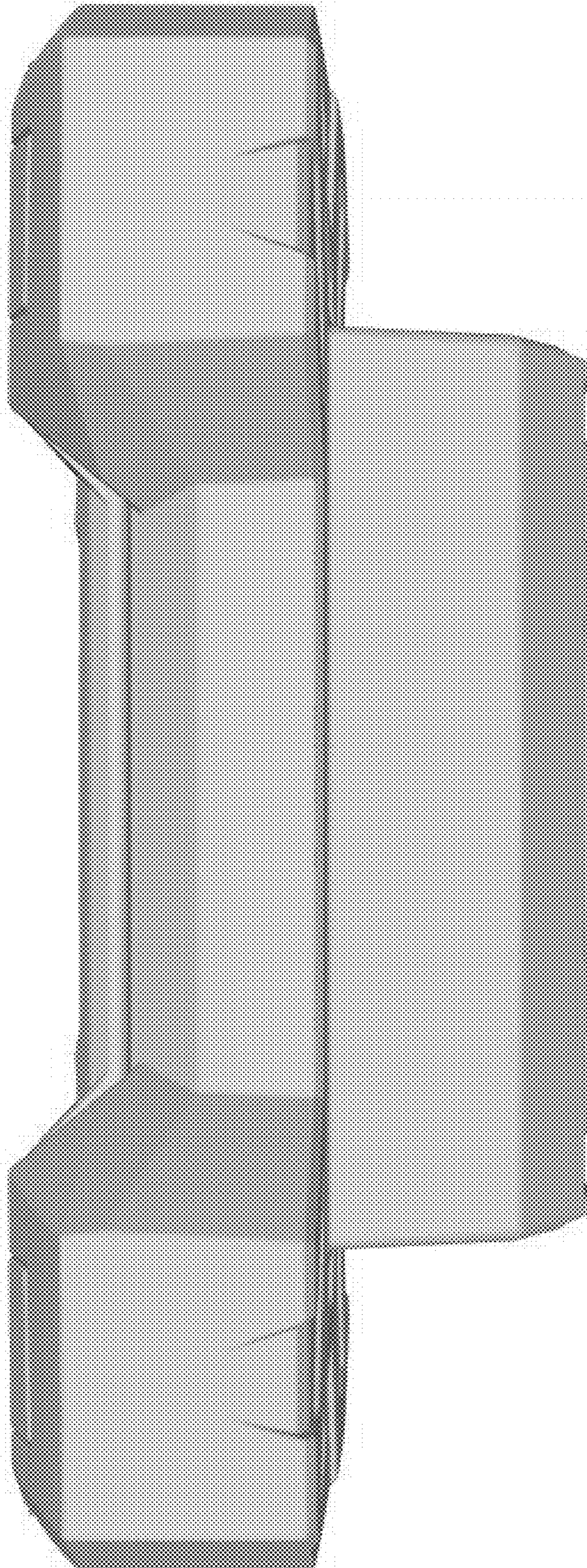


FIG. 4

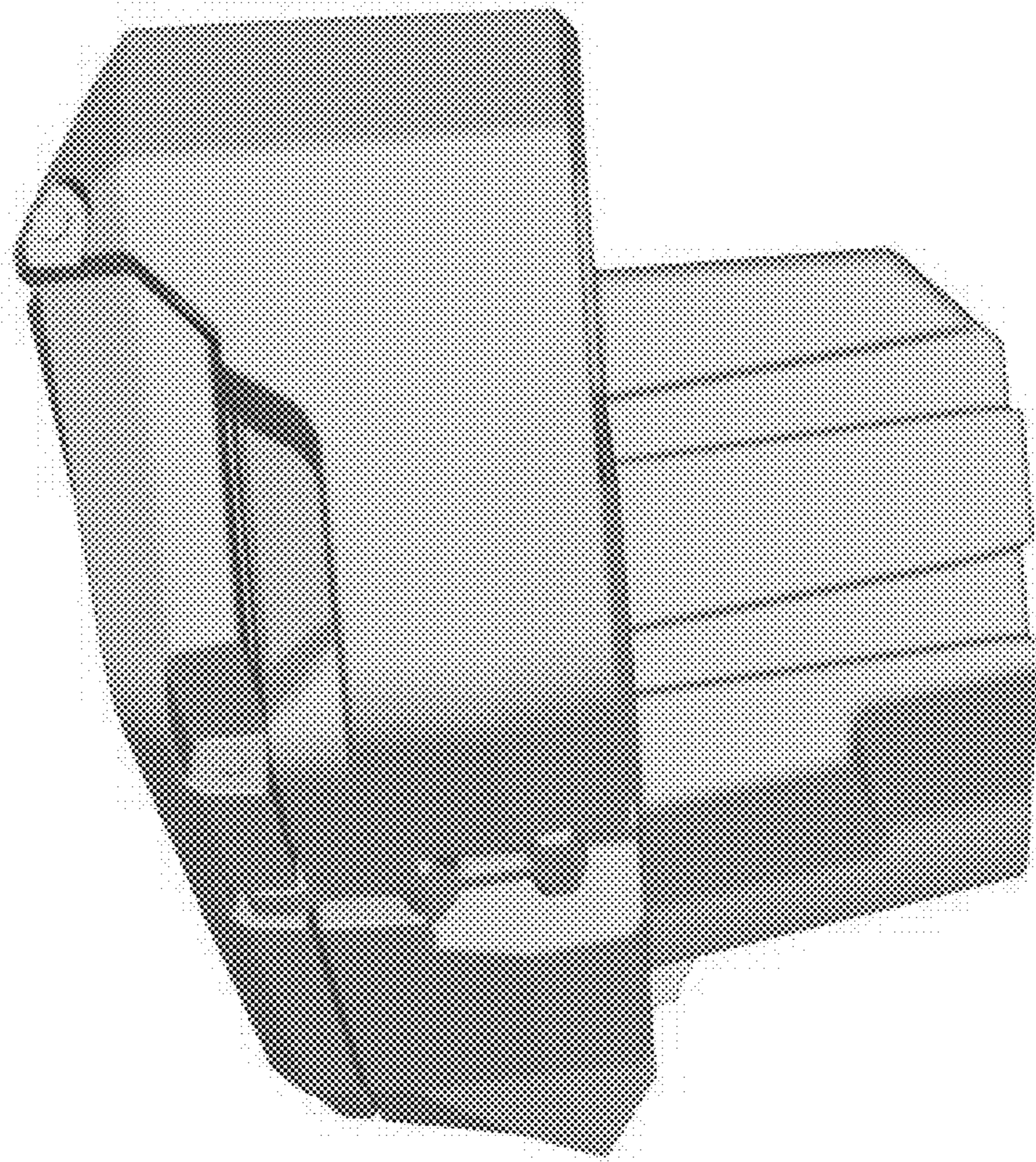


FIG. 5

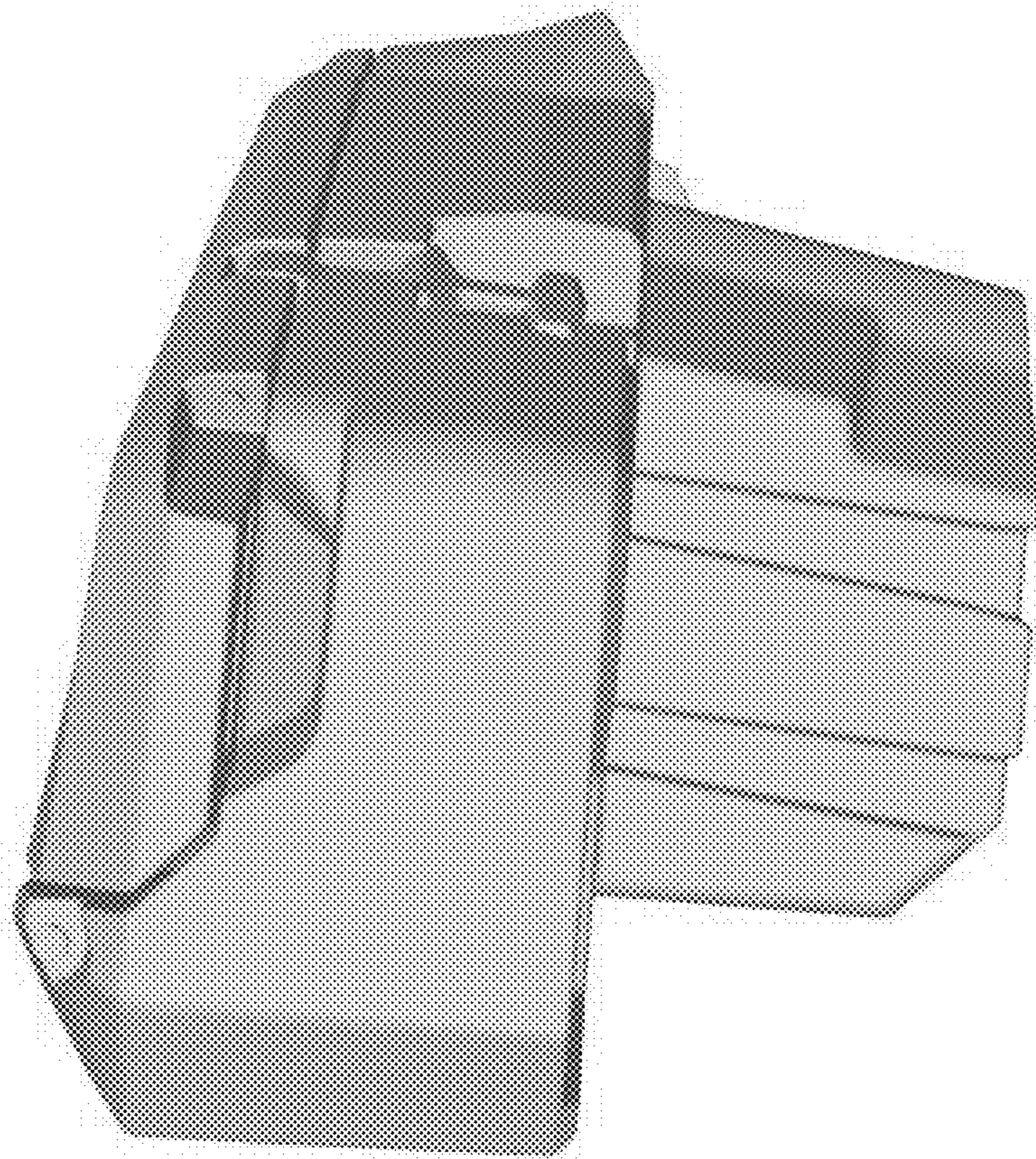


FIG. 6

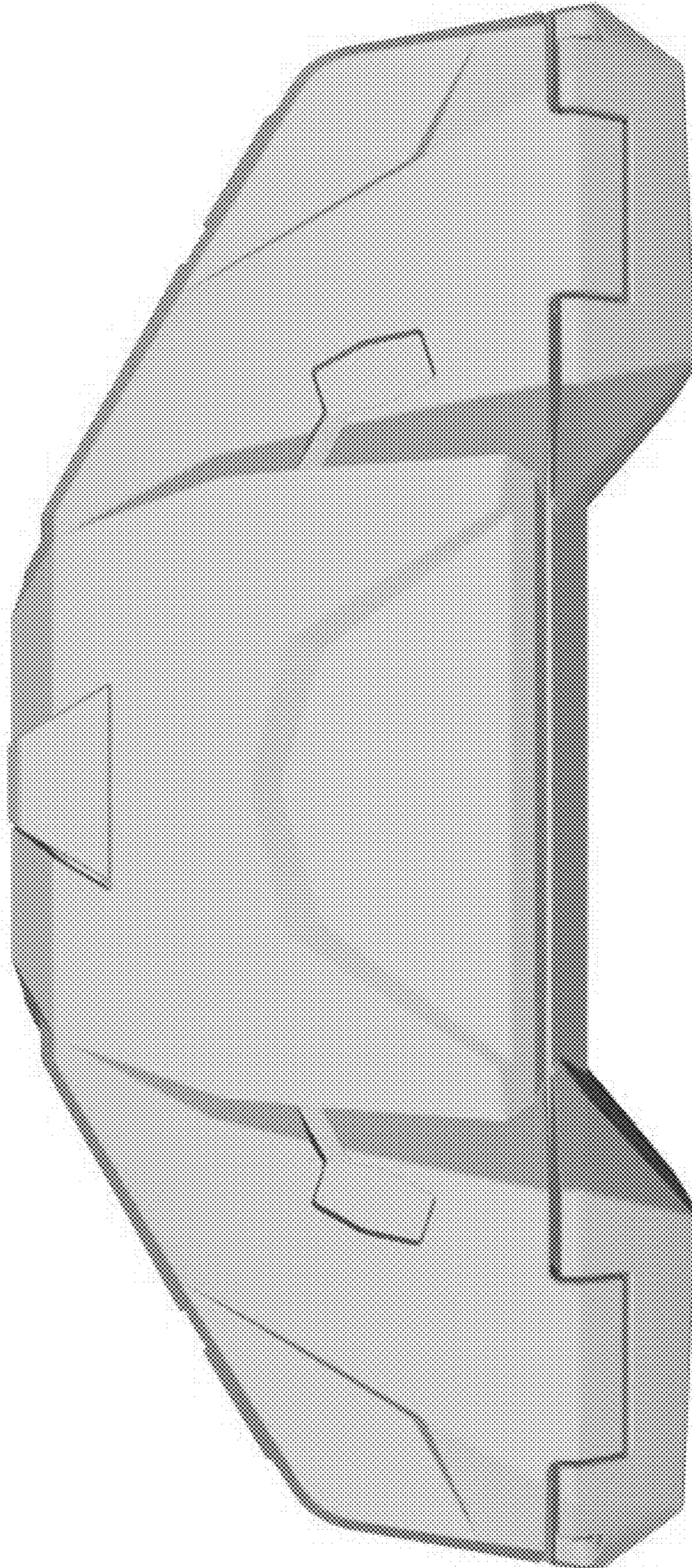


FIG. 7

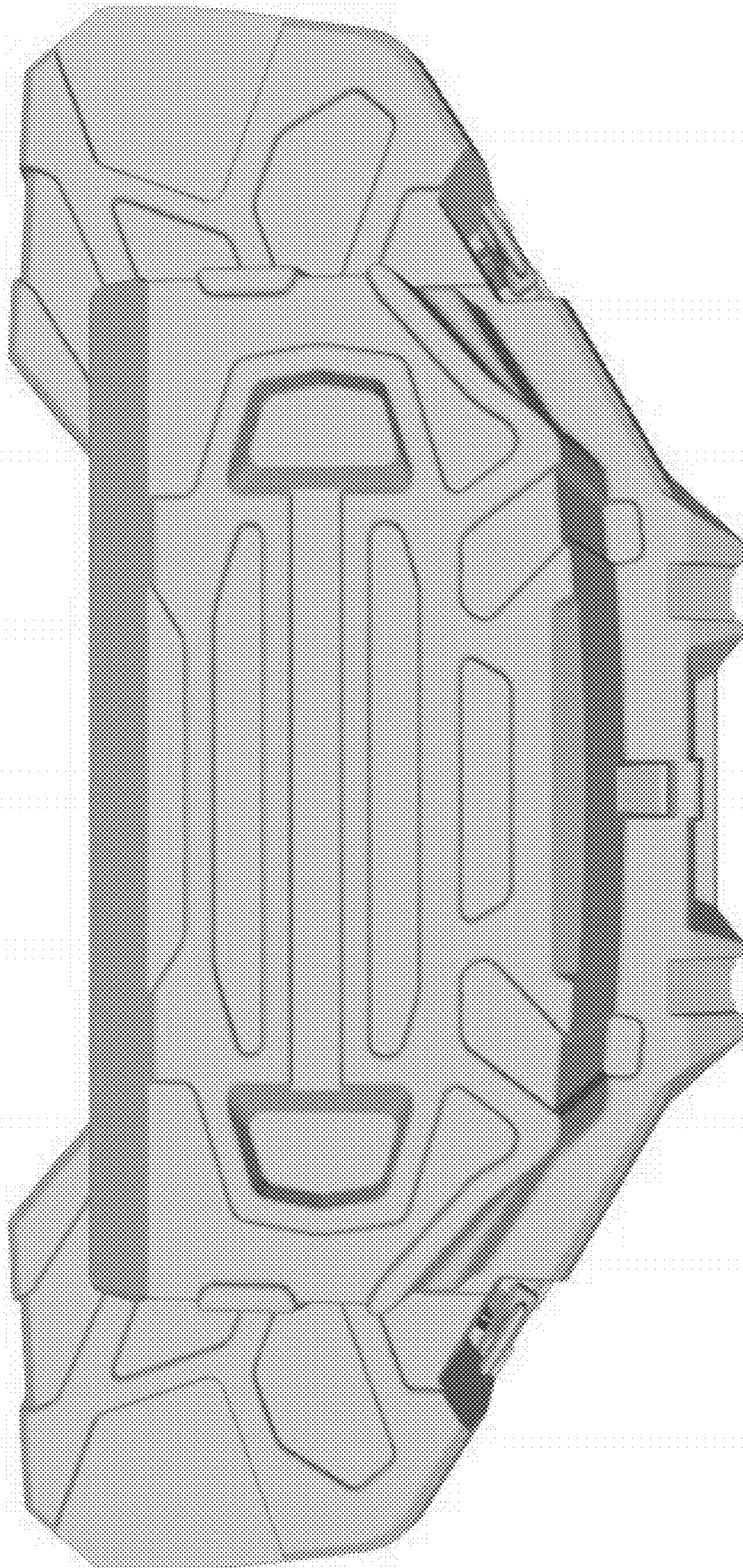


FIG. 8