



US00D911910S

(12) **United States Design Patent**  
**Hale, Jr.**

(10) **Patent No.:** **US D911,910 S**  
(45) **Date of Patent:** **\*\* Mar. 2, 2021**

(54) **WHEEL**  
(71) Applicant: **Wheel Pros, LLC**, Greenwood Village, CO (US)  
(72) Inventor: **Arthur D Hale, Jr.**, Compton, CA (US)  
(\*\*) Term: **15 Years**  
(21) Appl. No.: **29/725,256**  
(22) Filed: **Feb. 24, 2020**  
(51) **LOC (13) Cl.** ..... **12-16**  
(52) **U.S. Cl.**  
USPC ..... **D12/209**  
(58) **Field of Classification Search**  
USPC ..... D12/204–213; D21/563  
CPC .... B60B 7/00; B60B 7/02; B60B 7/04; B60B 7/01; B60B 7/06; B60B 3/02; B60B 3/04; B60B 3/06; B60B 3/10; B60B 1/00; B60B 1/08; B60B 1/10; B60B 1/12  
See application file for complete search history.

D499,684 S 12/2004 Cheng  
D502,438 S 3/2005 Weld  
D504,859 S 5/2005 Sulahian  
D505,374 S 5/2005 Aleman  
D510,307 S 10/2005 Howes  
D523,797 S 6/2006 Gallert  
D524,212 S 7/2006 Phillips  
D524,220 S 7/2006 Scheu  
D528,495 S 9/2006 Truebsbach  
D542,209 S 5/2007 Pfeiffer  
D549,148 S 8/2007 Buschmann  
D569,777 S 5/2008 Chung  
D577,650 S 9/2008 Chung  
D579,845 S 11/2008 Chung  
D582,831 S 12/2008 Musser  
D596,009 S 7/2009 Sawhney et al.  
D598,357 S 8/2009 Chung  
D617,723 S 6/2010 Zhao  
D623,109 S 9/2010 Markefka  
D635,903 S 4/2011 Zhang  
D654,007 S 2/2012 Nissl  
D654,420 S 2/2012 Guay  
D660,771 S 5/2012 Mueller-Stolz  
D669,009 S 10/2012 Chung  
D686,961 S 7/2013 Chung

(Continued)

*Primary Examiner* — Stacia A Cadmus  
(74) *Attorney, Agent, or Firm* — Eric Hanscom

(56) **References Cited**

U.S. PATENT DOCUMENTS

D291,796 S 9/1987 Reid  
D361,975 S 9/1995 Weld  
D364,843 S \* 12/1995 Hale, Jr. .... D12/209  
D391,216 S 2/1998 Ballmann  
D408,775 S 4/1999 Shikado  
D423,443 S \* 4/2000 Hussaini ..... D12/209  
D436,338 S \* 1/2001 Hussaini ..... D12/209  
D453,492 S 2/2002 Laengerer  
D455,698 S 4/2002 Chung  
D467,212 S 12/2002 Noriega  
D470,094 S 2/2003 van Hooydonk  
D480,036 S 9/2003 Laengerer  
D482,996 S 12/2003 Sulahian  
D492,925 S 7/2004 Fitzgerald  
D496,317 S 9/2004 Kataoka

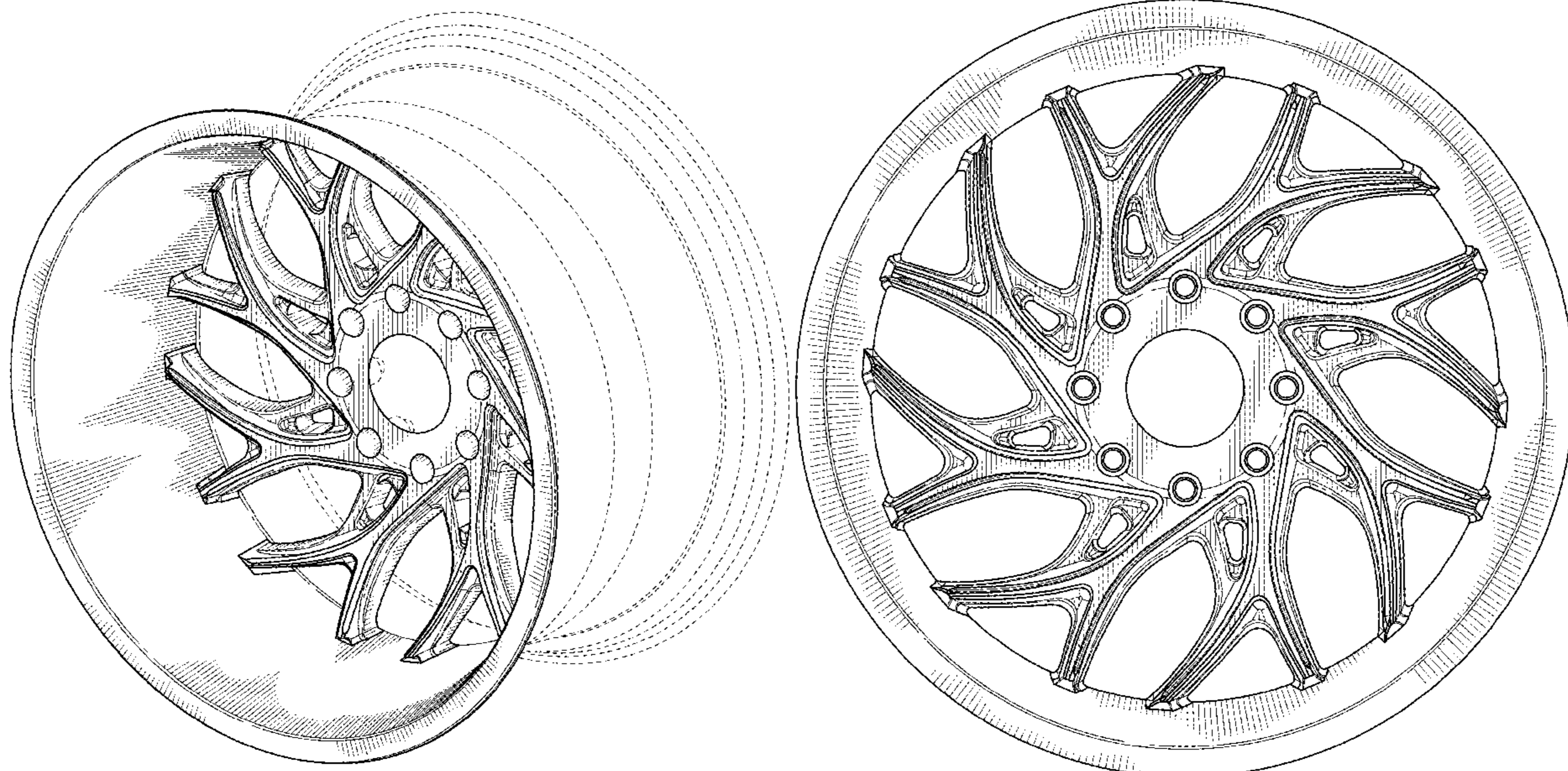
(57) **CLAIM**

The ornamental design for a wheel, as shown and described.

**DESCRIPTION**

FIG. 1 is a perspective view of a wheel showing my new design; and,  
FIG. 2 is a front view thereof.  
In the drawings, broken lines shown in the drawings depict environmental subject matter only and form no part of the claimed design.

**1 Claim, 2 Drawing Sheets**



(56)

**References Cited**

U.S. PATENT DOCUMENTS

D695,193	S	12/2013	Kong	
D698,298	S	1/2014	Cortes	
D698,300	S	1/2014	Chung	
D702,172	S	4/2014	Chung	
D704,117	S	5/2014	Chung	
D704,617	S	5/2014	Chung	
D706,197	S	6/2014	Chung	
D707,167	S	6/2014	Chung	
D709,020	S	7/2014	Chung	
D713,316	S	9/2014	Song	
D714,207	S	9/2014	Kim	
D717,709	S	11/2014	Valencia Pollex	
D719,893	S	12/2014	Kim	
D731,946	S	6/2015	Chung	
D742,293	S	11/2015	Chung	
D753,046	S	4/2016	Liffick	
D754,048	S *	4/2016	Starr, Jr. ....	D12/209
D756,882	S	5/2016	Tirado	
D766,805	S	9/2016	Chung	
D769,785	S	10/2016	Wells	
D780,655	S	3/2017	Trim	
D830,265	S *	10/2018	Chung .....	D12/209
D845,856	S *	4/2019	Hale, Jr. ....	D12/209
D863,190	S *	10/2019	Han .....	D12/209
D870,631	S *	12/2019	Ash .....	D12/209
D871,302	S *	12/2019	Han .....	D12/209
D881,102	S *	4/2020	Liu .....	D12/209
D894,080	S *	8/2020	Valencia Pollex .....	D12/209
D900,696	S *	11/2020	Han .....	D12/209
D905,610	S *	12/2020	Rosello Visa .....	D12/209

\* cited by examiner

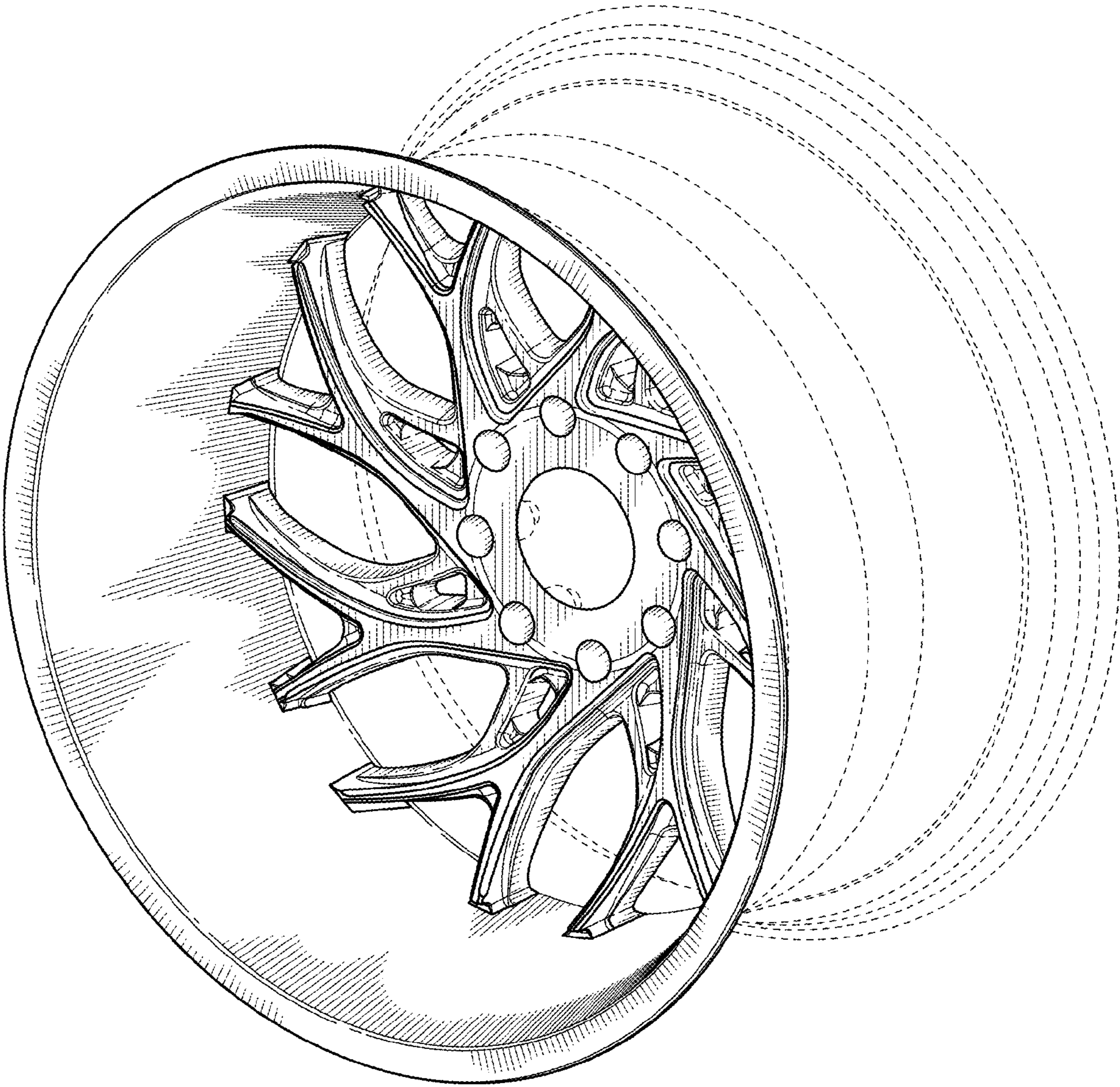


FIG. 1

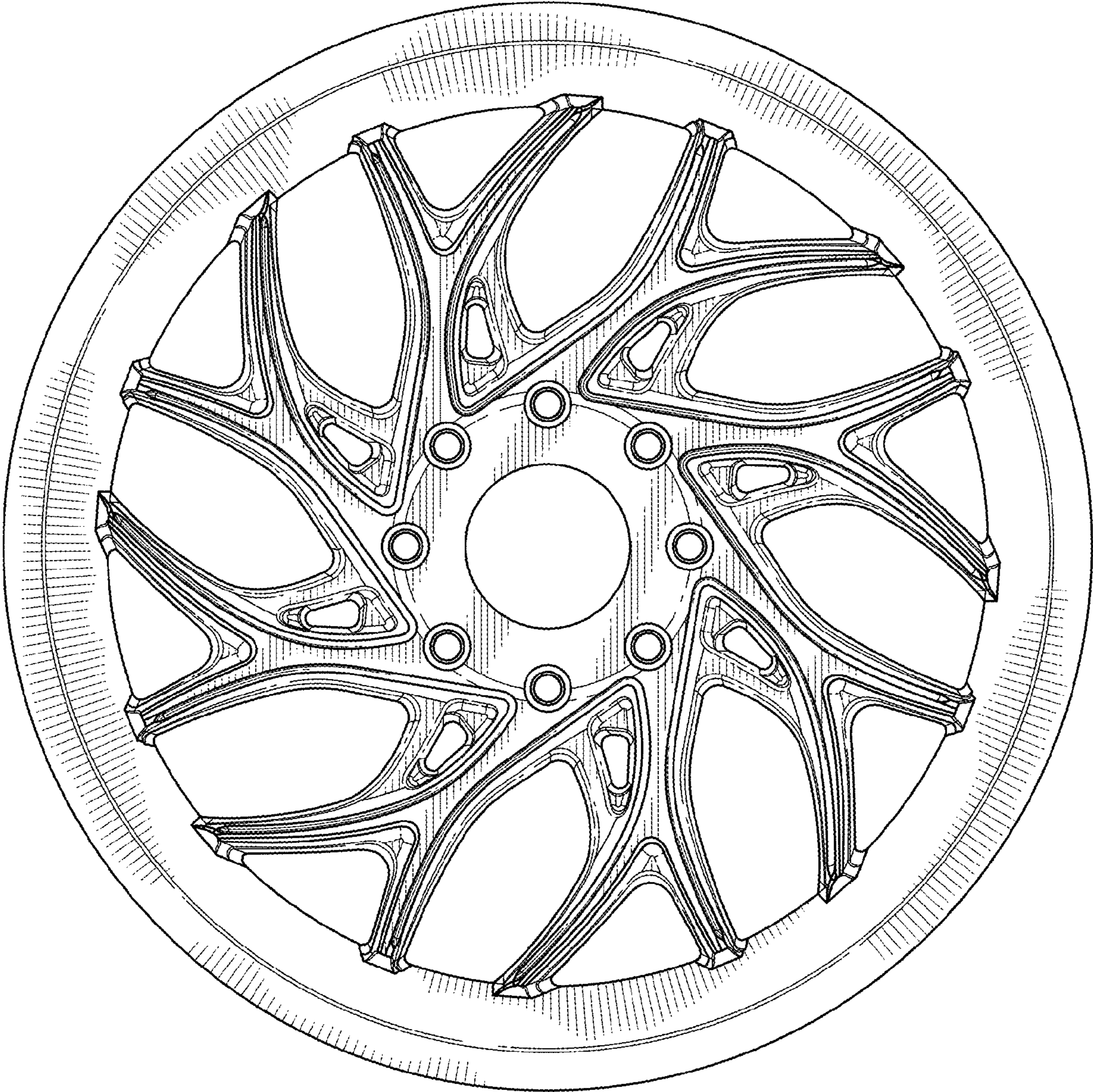


FIG. 2