



US00D911907S

(12) **United States Design Patent**  
**Li et al.**

(10) **Patent No.:** **US D911,907 S**  
(45) **Date of Patent:** **\*\* Mar. 2, 2021**

(54) **VEHICLE WHEEL**

(71) Applicant: **CITIC Dicastal Co., Ltd.**,  
Qinhuangdao (CN)  
(72) Inventors: **Zhen Li**, Qinhuangdao (CN); **Peng Zhou**, Qinhuangdao (CN); **Song Sheng**,  
Qinhuangdao (CN)

(73) Assignee: **CITIC Dicastal Co., Ltd.**,  
Qinhuangdao (CN)

(\*\*) Term: **15 Years**

(21) Appl. No.: **29/712,520**

(22) Filed: **Nov. 8, 2019**

(30) **Foreign Application Priority Data**

May 29, 2019 (CN) ..... 201930269404.4

(51) **LOC (13) Cl.** ..... **12-16**

(52) **U.S. Cl.**  
USPC ..... **D12/209**

(58) **Field of Classification Search**  
USPC ..... D12/204–213; D21/563  
CPC .... B60B 7/00; B60B 7/02; B60B 7/04; B60B  
7/01; B60B 7/06; B60B 3/02; B60B 3/04;  
B60B 3/06; B60B 3/10; B60B 1/00;  
B60B 1/08; B60B 1/10; B60B 1/12  
See application file for complete search history.

(56) **References Cited**

**U.S. PATENT DOCUMENTS**

D437,819 S \* 2/2001 Brown ..... D12/209  
D474,139 S \* 5/2003 Warming ..... D12/209

D475,960 S \* 6/2003 Chung ..... D12/209  
D504,648 S \* 5/2005 Pfeiffer ..... D12/209  
D531,950 S \* 11/2006 Huet ..... D12/209  
D584,672 S \* 1/2009 Osborne ..... D12/209  
D601,074 S \* 9/2009 Buschmann ..... D12/209  
D635,904 S \* 4/2011 Futschik ..... D12/209  
D645,391 S \* 9/2011 Weil ..... D12/209  
D714,203 S \* 9/2014 George ..... D12/209  
D734,701 S \* 7/2015 Mielke ..... D12/209  
D744,396 S \* 12/2015 d’Orville ..... D12/209  
D755,691 S \* 5/2016 Gardavsky ..... D12/209  
D781,766 S \* 3/2017 Galante ..... D12/209  
D797,635 S \* 9/2017 Rueckheim ..... D12/209  
D842,187 S \* 3/2019 Tomasson ..... D12/209  
D853,300 S \* 7/2019 Anton ..... D12/209  
D865,627 S \* 11/2019 Chi ..... D12/209  
D889,352 S \* 7/2020 Wang ..... D12/209  
D897,920 S \* 10/2020 Hoste ..... D12/209

\* cited by examiner

*Primary Examiner* — Stacia A Cadmus

(74) *Attorney, Agent, or Firm* — IPro, PLLC; Qian Gu

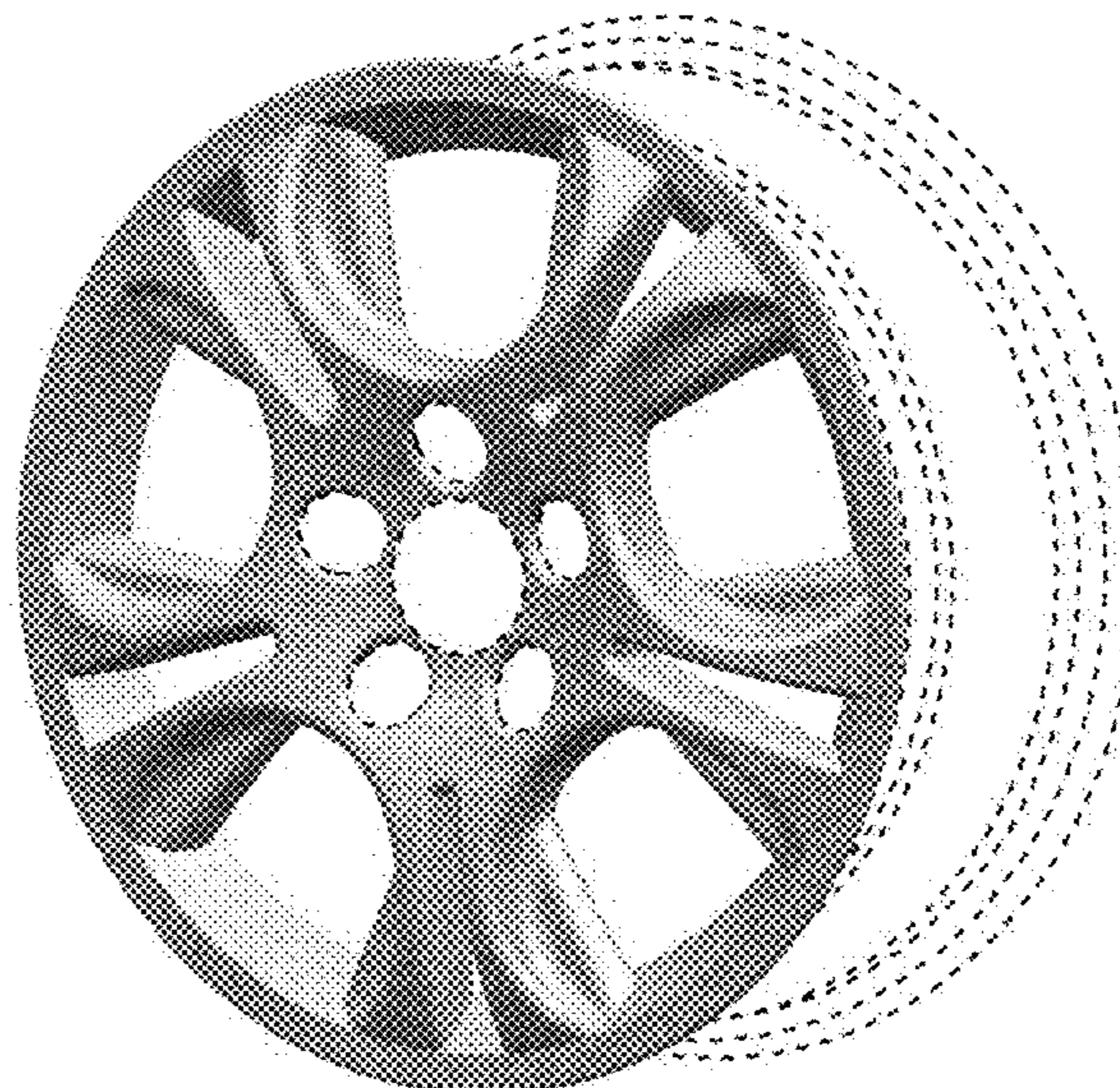
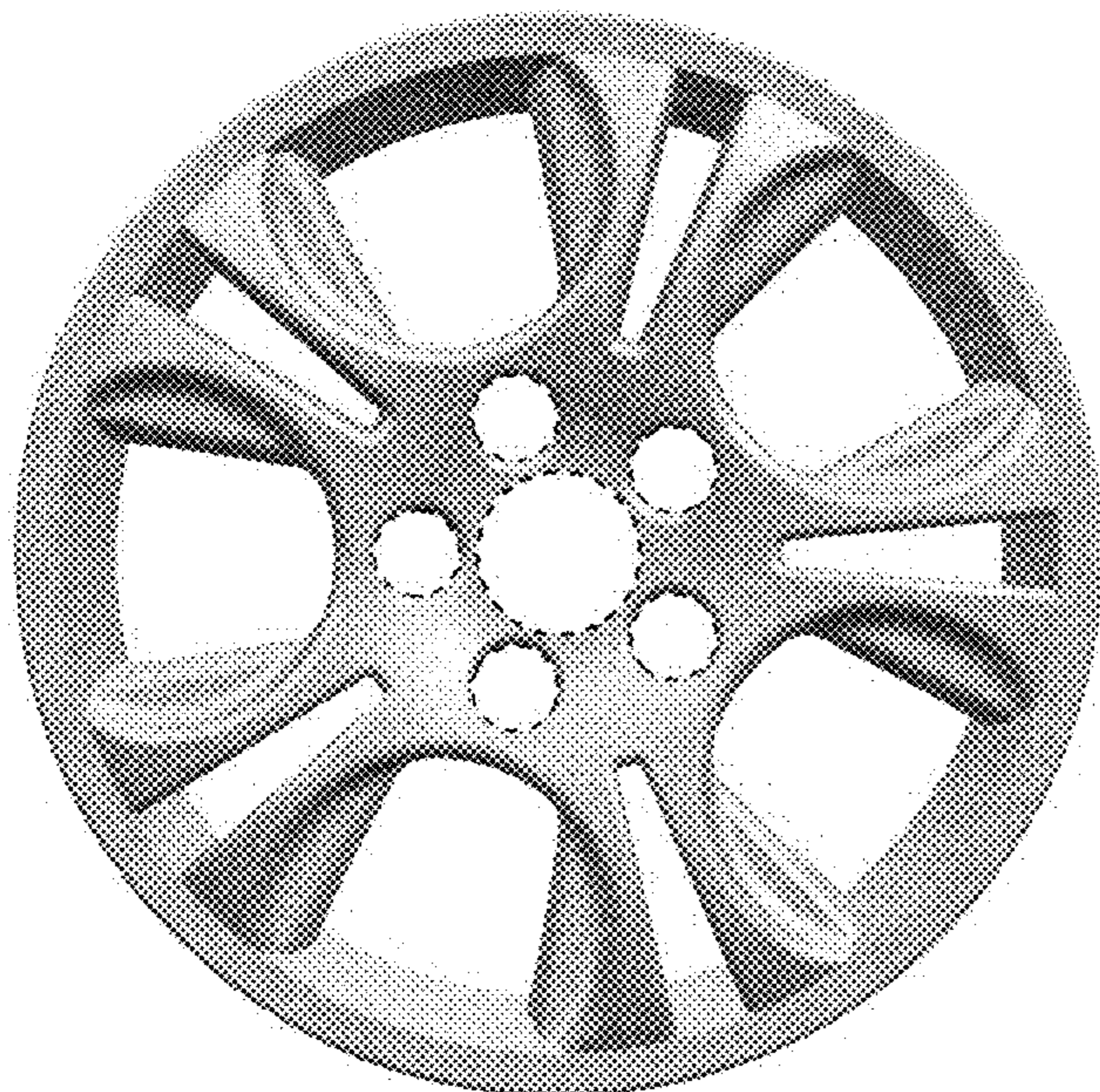
(57) **CLAIM**

The ornamental design for a vehicle wheel, as shown and described.

**DESCRIPTION**

FIG. 1 is a front view of a vehicle wheel.  
FIG. 2 is a perspective view of the vehicle wheel; and,  
FIG. 3 is a left side view of the vehicle wheel.  
The broken line showing of the rear of the rim, the valve stem hole, the bolt holes and the center hole in the central hub area is included for the purpose of illustrating environment and forms no part of the claimed design.

**1 Claim, 3 Drawing Sheets**



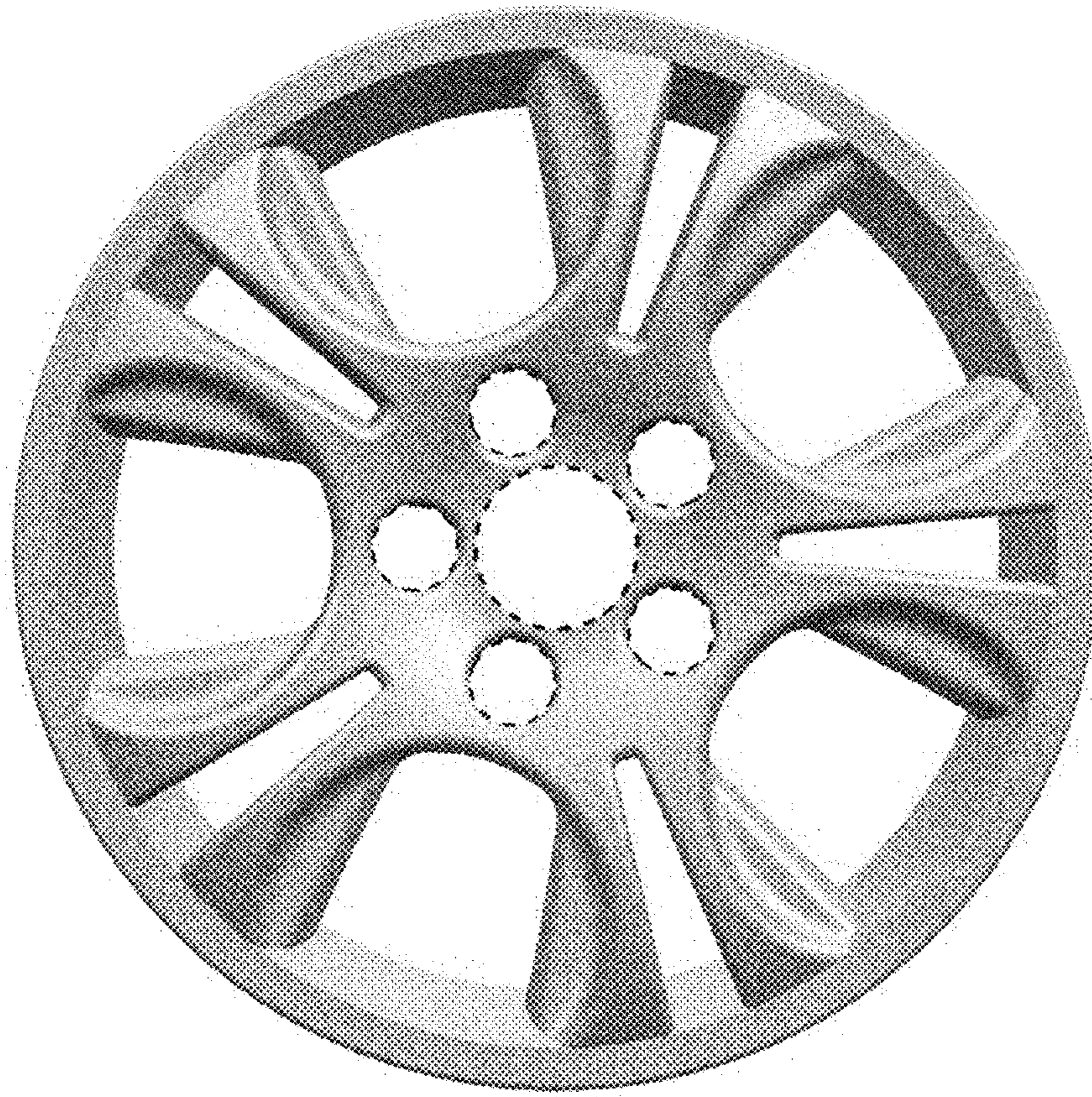


FIG. 1

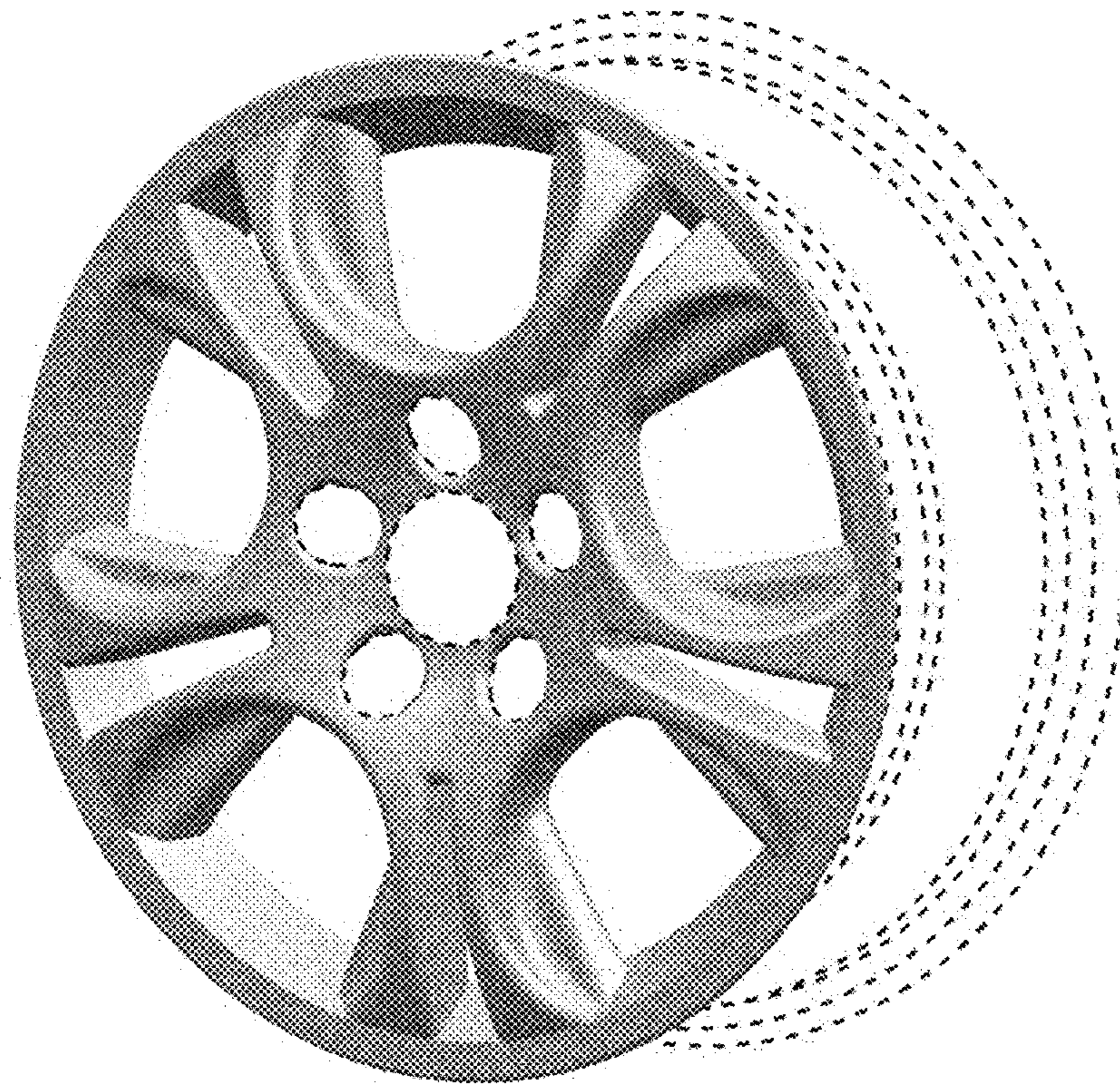


FIG. 2

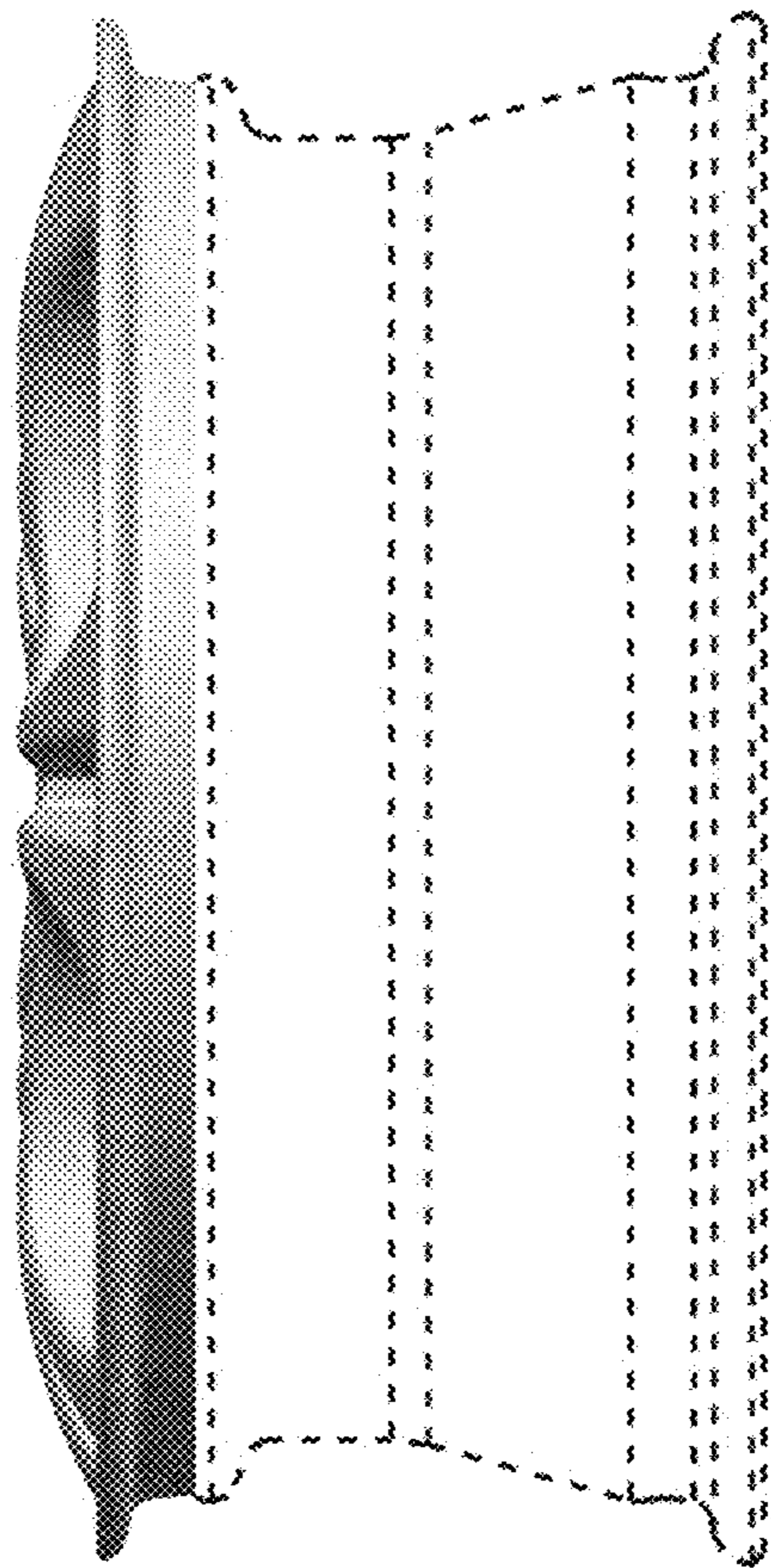


FIG. 3