



US00D911906S

(12) **United States Design Patent**  
**Ma**

(10) **Patent No.:** **US D911,906 S**  
(45) **Date of Patent:** **\*\* Mar. 2, 2021**

(54) **VEHICLE WHEEL**

(71) Applicant: **CITIC Dicastal Co., Ltd.**,  
Qinhuangdao (CN)  
(72) Inventor: **Liang Ma**, Qinhuangdao (CN)  
(73) Assignee: **CITIC Dicastal Co., Ltd.**,  
Qinhuangdao (CN)  
(\*\*) Term: **15 Years**

(21) Appl. No.: **29/709,874**

(22) Filed: **Oct. 17, 2019**

(30) **Foreign Application Priority Data**

Jun. 17, 2019 (CN) ..... 2019303119228

(51) **LOC (13) Cl.** ..... **12-16**

(52) **U.S. Cl.**  
USPC ..... **D12/209**

(58) **Field of Classification Search**  
USPC ..... D12/204–213; D21/563  
CPC .... B60B 7/00; B60B 7/02; B60B 7/04; B60B  
7/01; B60B 7/06; B60B 3/02; B60B 3/04;  
B60B 3/06; B60B 3/10; B60B 1/00;  
B60B 1/08; B60B 1/10; B60B 1/12  
See application file for complete search history.

(56) **References Cited**

U.S. PATENT DOCUMENTS

D522,433 S *	6/2006	Szavits .....	D12/209
D663,672 S *	7/2012	Platto .....	D12/211
D755,693 S *	5/2016	Lee .....	D12/209
D857,583 S *	8/2019	Harriton .....	D12/209
D857,586 S *	8/2019	Dewitt .....	D12/209
D859,263 S *	9/2019	Guidry .....	D12/209
D876,305 S *	2/2020	Lee .....	D12/209
D892,019 S *	8/2020	Grand .....	D12/209
D895,507 S *	9/2020	Wang .....	D12/209

\* cited by examiner

*Primary Examiner* — Stacia A Cadmus

(74) *Attorney, Agent, or Firm* — IPro, PLLC; Qian Gu

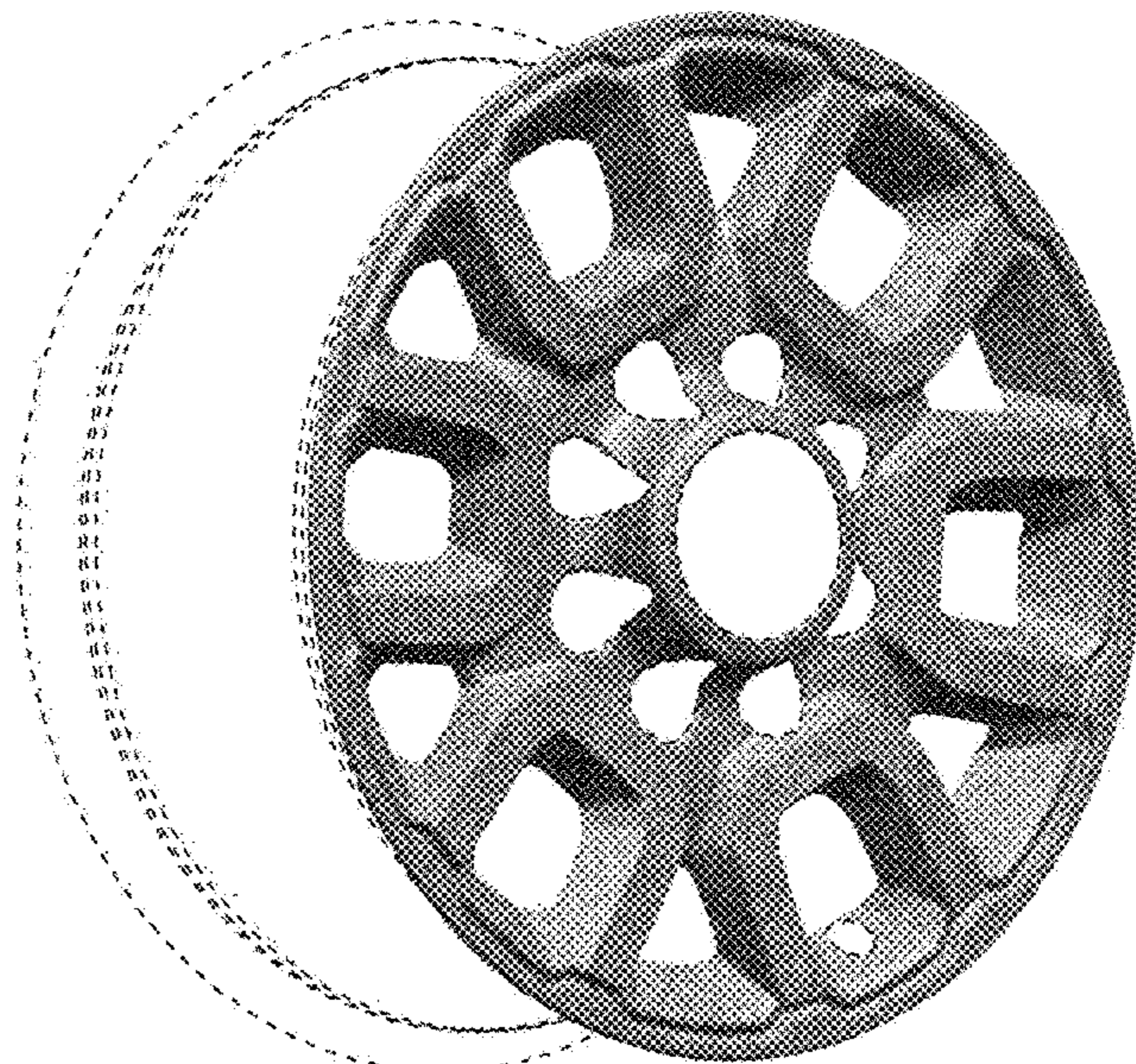
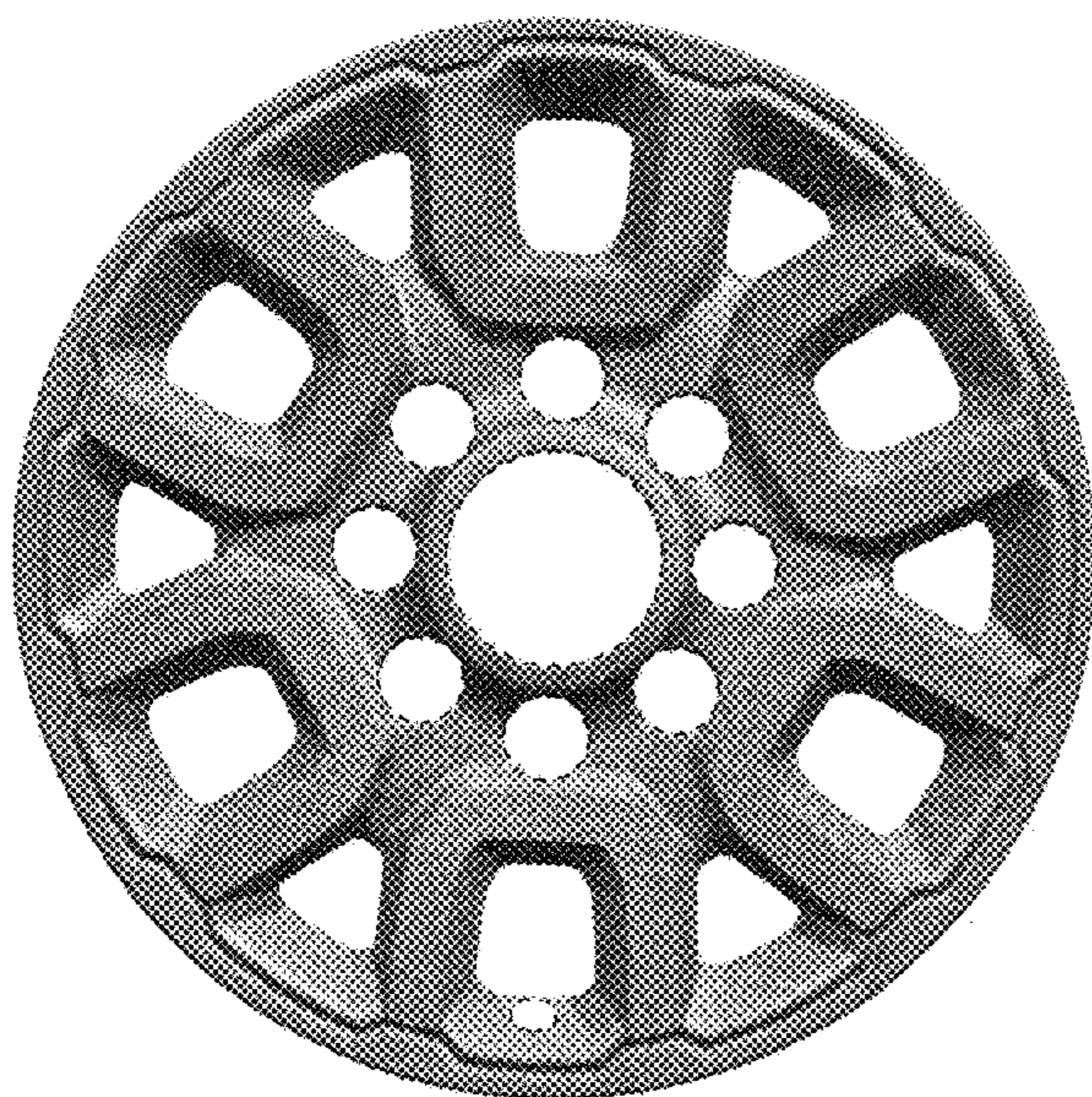
(57) **CLAIM**

The ornamental design for a vehicle wheel, as shown and described.

**DESCRIPTION**

FIG. 1 is a front view of a vehicle wheel.  
FIG. 2 is a perspective view of the vehicle wheel; and,  
FIG. 3 is a left side view of the vehicle wheel.  
The broken line showing of the rear of the rim, the valve stem hole, the bolt holes and the center hole in the central hub area is included for the purpose of illustrating environment and forms no part of the claimed design.

**1 Claim, 3 Drawing Sheets**



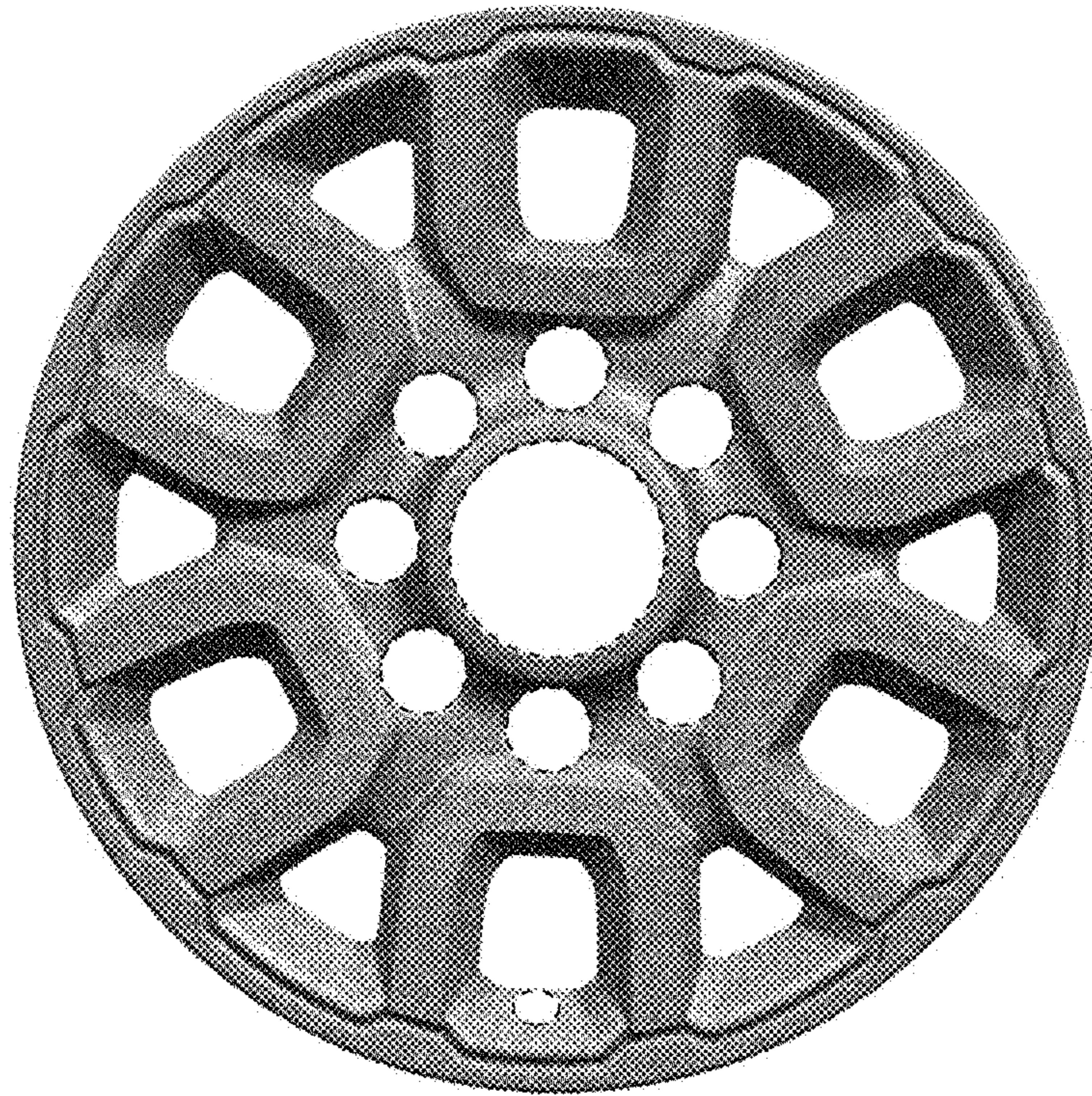


FIG. 1

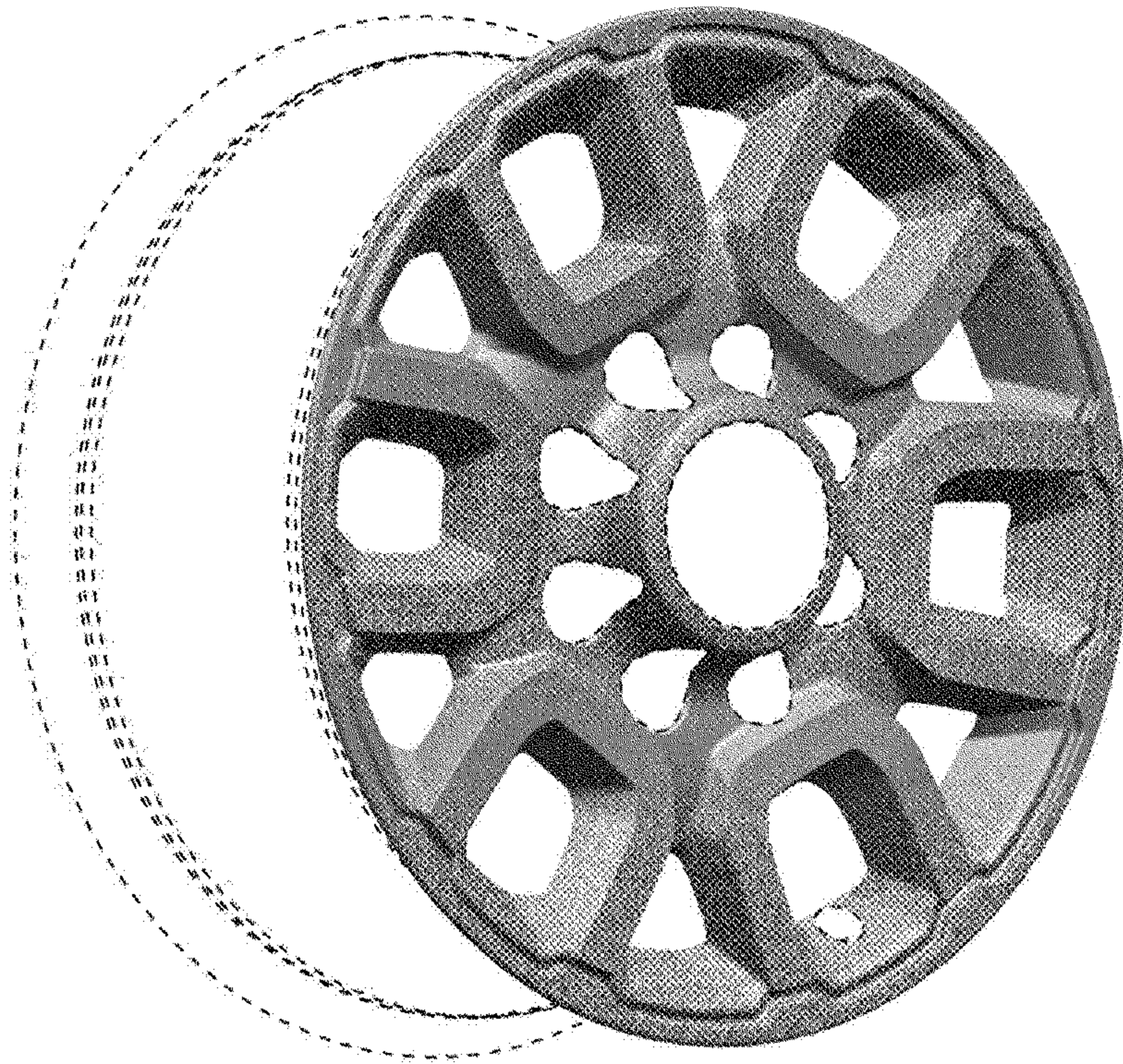


FIG. 2

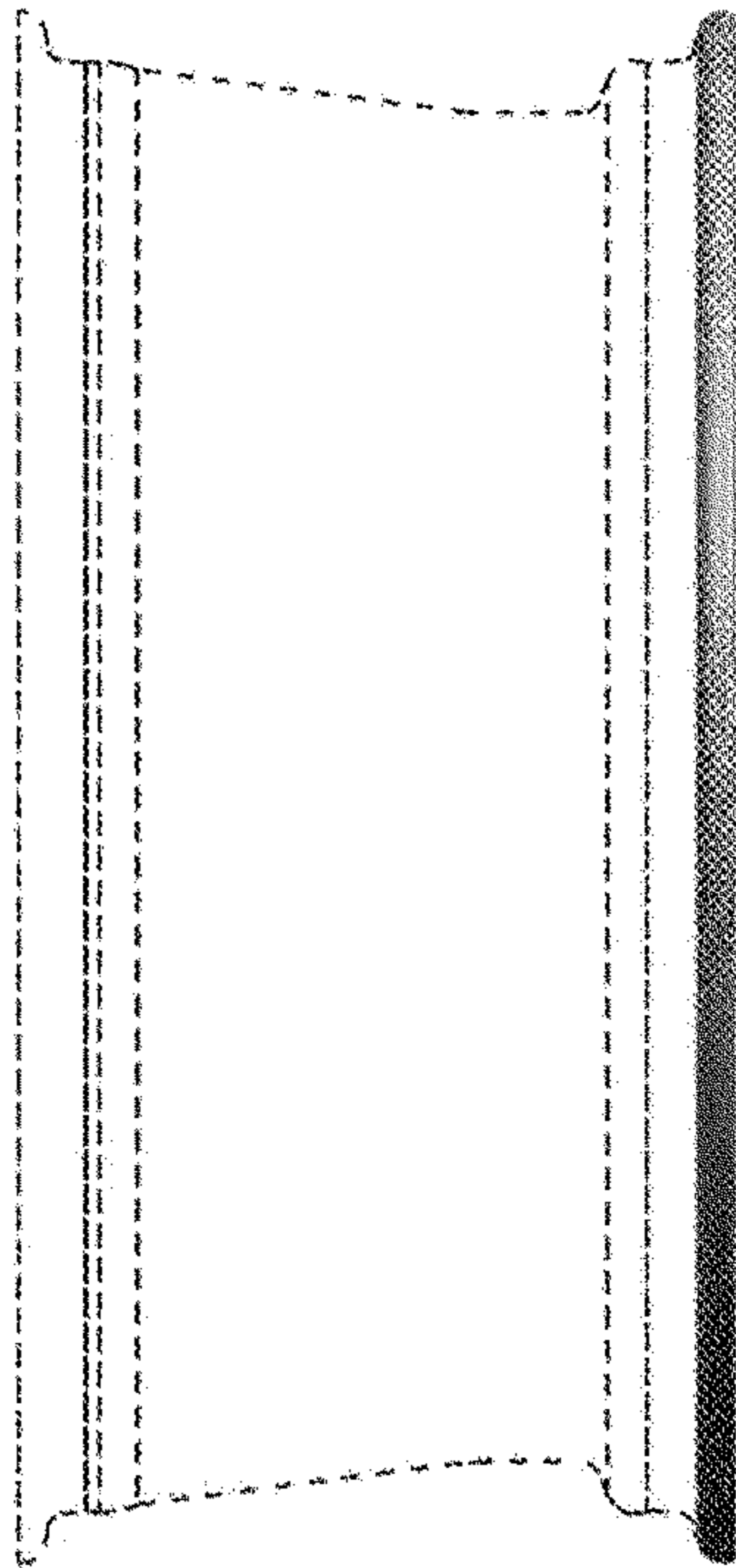


FIG. 3