



US00D911905S

(12) **United States Design Patent**
Ma

(10) **Patent No.:** **US D911,905 S**

(45) **Date of Patent:** **** Mar. 2, 2021**

(54) **VEHICLE WHEEL**

(71) Applicant: **CITIC Dicastal Co., Ltd.**,
Qinhuangdao (CN)

(72) Inventor: **Liang Ma**, Qinhuangdao (CN)

(73) Assignee: **CITIC Dicastal Co., Ltd.**,
Qinhuangdao (CN)

(**) Term: **15 Years**

(21) Appl. No.: **29/708,428**

(22) Filed: **Oct. 6, 2019**

(30) **Foreign Application Priority Data**

Jun. 17, 2019 (CN) 201930311925.1

(51) **LOC (13) Cl.** **12-16**

(52) **U.S. Cl.**
USPC **D12/209**

(58) **Field of Classification Search**
USPC D12/204-213; D21/563
CPC B60B 7/00; B60B 7/02; B60B 7/04; B60B
7/01; B60B 7/06; B60B 3/02; B60B 3/04;
B60B 3/06; B60B 3/10; B60B 1/00;
B60B 1/08; B60B 1/10; B60B 1/12

See application file for complete search history.

(56) **References Cited**

U.S. PATENT DOCUMENTS

D525,184 S *	7/2006	Huet	D12/211
D671,060 S *	11/2012	Baum	D12/209
D764,999 S *	8/2016	Song	D12/209
D785,533 S *	5/2017	Pires	D12/209
D795,151 S *	8/2017	Valencia Pollex	D12/209
D846,473 S *	4/2019	Woodhouse	D12/209
D881,775 S *	4/2020	Meng	D12/209

* cited by examiner

Primary Examiner — Stacia A Cadmus

(74) *Attorney, Agent, or Firm* — IPro, PLLC; Qian Gu

(57) **CLAIM**

The ornamental design for a vehicle wheel, as shown and described.

DESCRIPTION

FIG. 1 is a front view of a vehicle wheel.

FIG. 2 is a perspective view of the vehicle wheel; and,
FIG. 3 is a left side view of the vehicle wheel.

The broken line showing of the rear of the rim, the valve stem hole, the bolt holes and the center hole in the central hub area is included for the purpose of illustrating environment and forms no part of the claimed design.

1 Claim, 3 Drawing Sheets

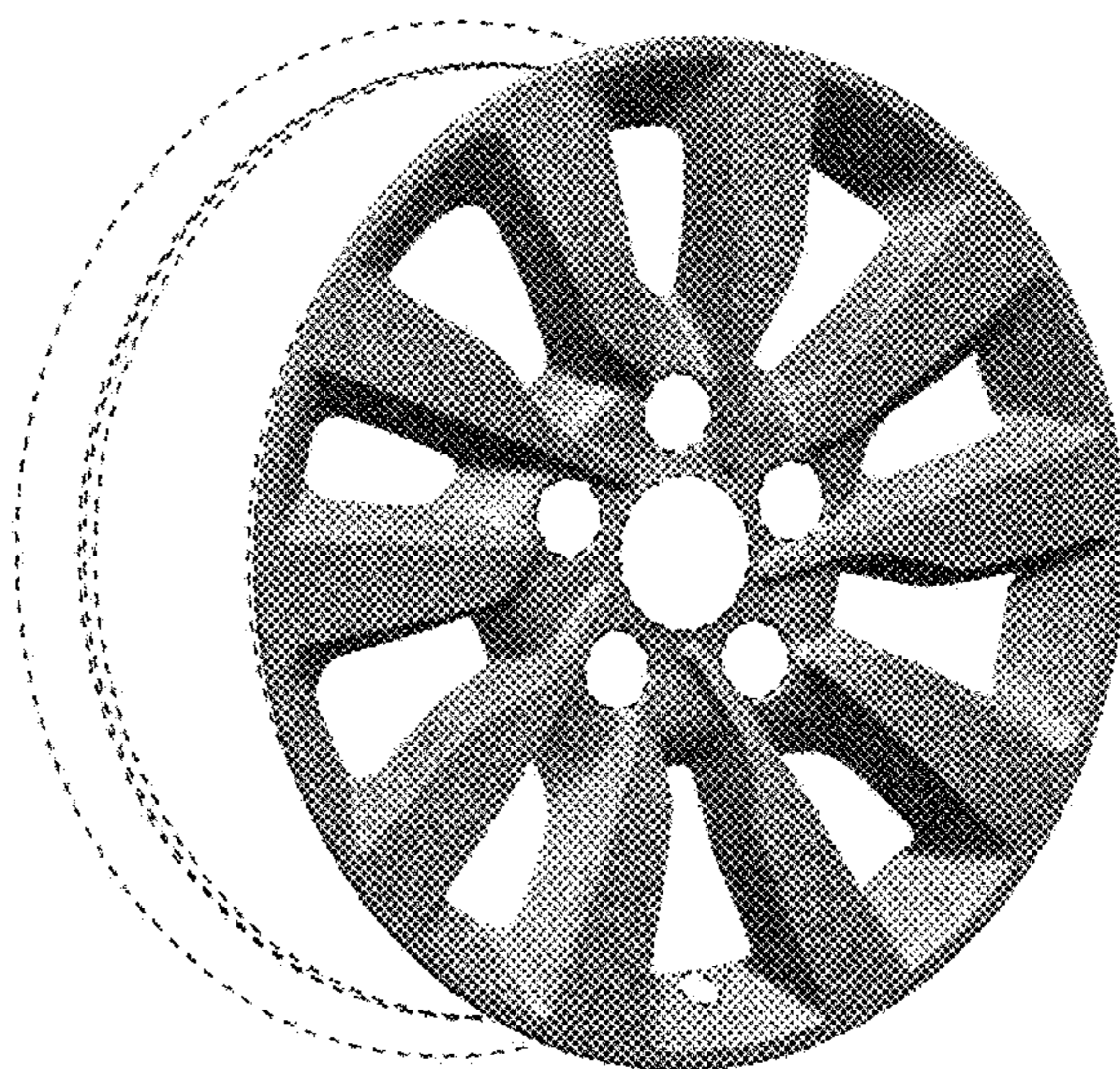
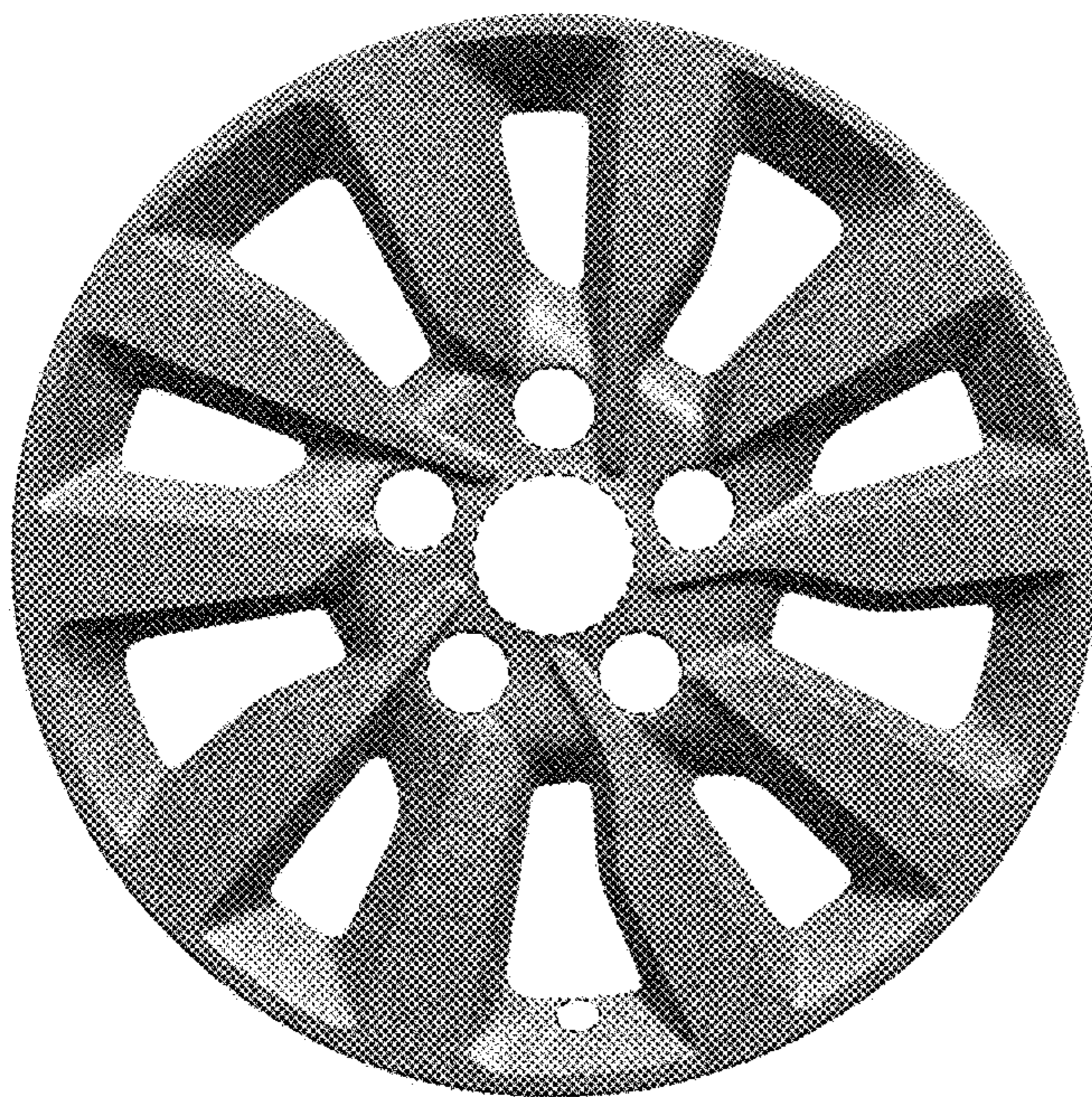




FIG. 1

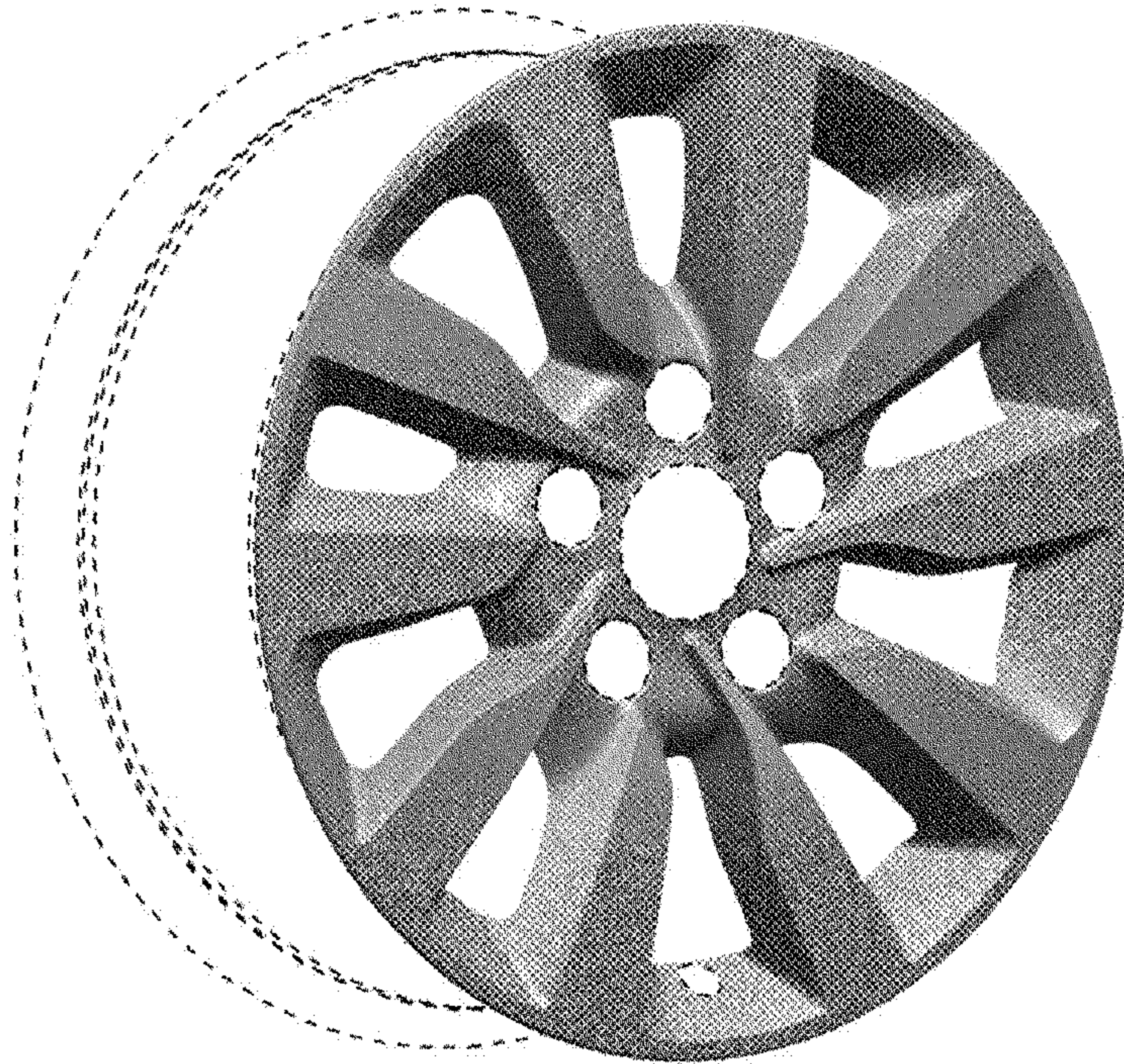


FIG. 2

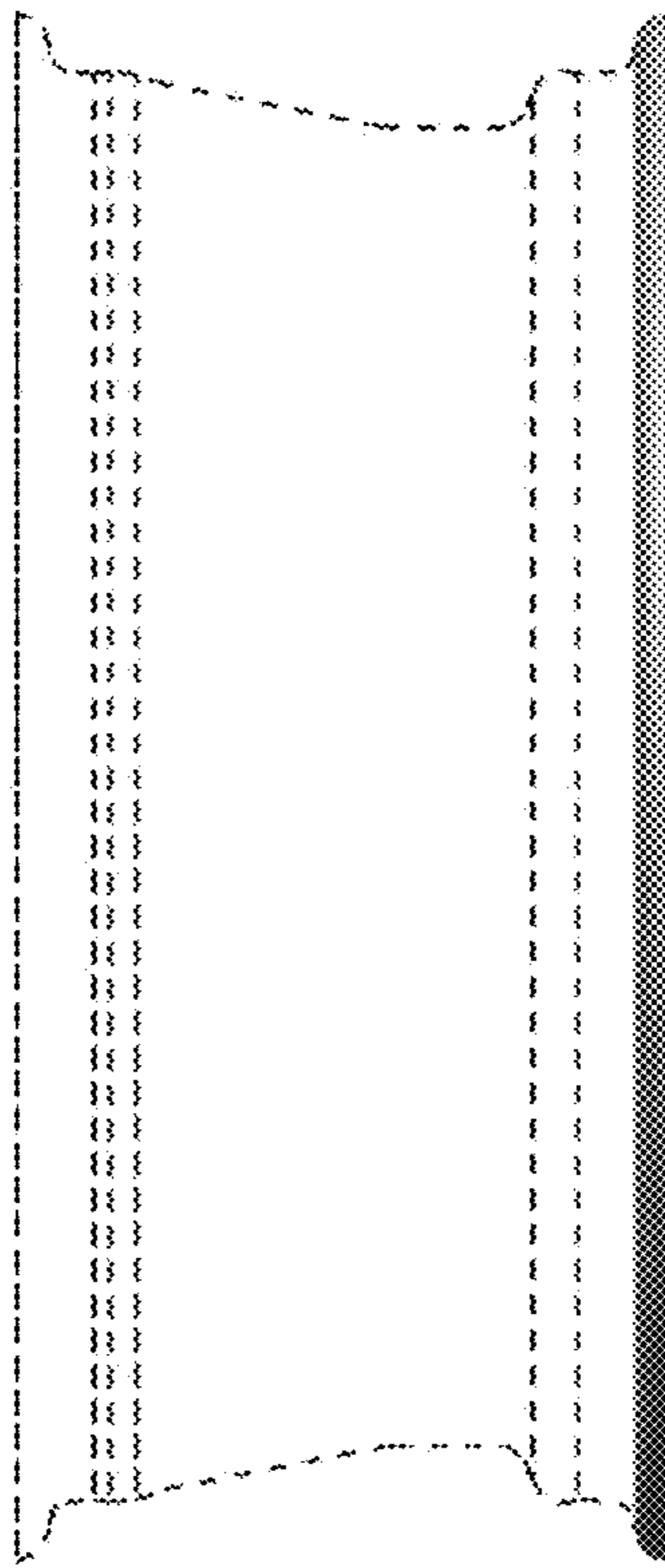


FIG. 3