



US00D911899S

(12) **United States Design Patent** (10) **Patent No.:** **US D911,899 S**
Aung et al. (45) **Date of Patent:** **** Mar. 2, 2021**

(54) **PANEL**

(71) Applicant: **The Boeing Company**, Chicago, IL (US)

(72) Inventors: **Nyein Chan Aung**, Heidelberg (AU);
Mark Armstrong, Yowie Bay (AU);
Arthur de Bono, Williamstown (AU);
Robbie Napper, Coburg (AU)

(73) Assignee: **THE BOEING COMPANY**, Chicago, IL (US)

(**) Term: **15 Years**

(21) Appl. No.: **29/648,442**

(22) Filed: **May 21, 2018**

(51) **LOC (13) Cl.** **12-08**

(52) **U.S. Cl.**
USPC **D12/195; D12/345**

(58) **Field of Classification Search**
USPC D12/345, 106, 195, 20, 42, 43, 44, 317,
D12/319, 356, 414.1, 415, 416, 419, 421,
(Continued)

(56) **References Cited**

U.S. PATENT DOCUMENTS

D102,971 S 1/1937 Hale
3,851,919 A 12/1974 Nagy
(Continued)

FOREIGN PATENT DOCUMENTS

DE 19541567 C1 1/1997
EP 3594049 1/2020
(Continued)

OTHER PUBLICATIONS

New Swiss Boeing 777 Business and First class cabins, Lux-
Traveller.com, Jul. 9, 2015, [online], [site visited May 1, 2020].
<URL: <http://lux-traveller.com/2015/swiss-boeing777-first-business-class.htm>> (Year: 2015).*

(Continued)

Primary Examiner — T Chase Nelson

Assistant Examiner — Jonathan J. Han

(74) *Attorney, Agent, or Firm* — Hanley, Flight & Zimmerman, LLC

(57) **CLAIM**

The ornamental design for a panel, as shown and described.

DESCRIPTION

FIG. 1 Is a front perspective view of a panel (In a left-leaning orientation) disclosed herein.

FIG. 2 is a rear perspective view of the panel of FIG. 1.

FIG. 3 is a right side view of the panel of FIG. 1.

FIG. 4 is a left side view of the panel of FIG. 1.

FIG. 5 is a rear view of the panel of FIG. 1.

FIG. 6 is a front view of the panel of FIG. 1.

FIG. 7 is a top view of the panel of FIG. 1.

FIG. 8 is a bottom view of the panel of FIG. 1.

FIG. 9 is a front perspective view of the panel of FIG. 1 coupled to another panel to form a divider.

FIG. 10 is a right side view of the panel of FIG. 9.

FIG. 11 is a left side view of the panel of FIG. 9.

FIG. 12 is a rear view of the panel of FIG. 9.

FIG. 13 is a front view of the panel of FIG. 9.

FIG. 14 is a top view of the panel of FIG. 9.

FIG. 15 is a bottom view of the panel of FIG. 9.

FIG. 16 is a perspective view of the panel of FIG. 1 coupled to a lateral sleep apparatus and adjacent a seat.

FIG. 17 is a partial perspective view of the panel of FIG. 1 shown in a cabin of an aircraft.

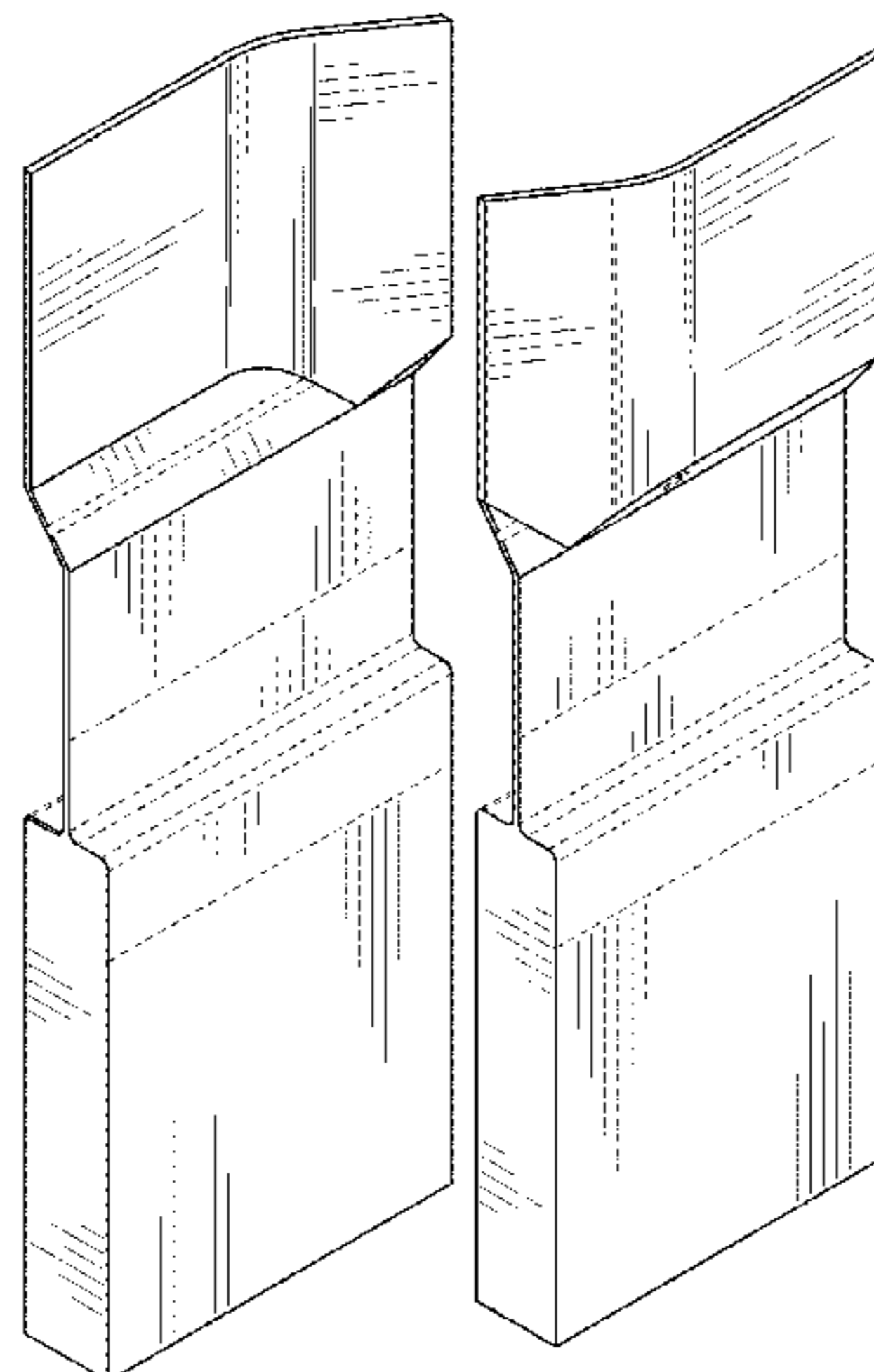
FIG. 18 is a front view of the panel of FIG. 1 shown in the cabin of the aircraft.

FIG. 19 is a partial, perspective view of the panel of FIG. 1 shown in the cabin of the aircraft.

FIG. 20 is a perspective view of the panel of FIG. 1 shown between a first set of seats positioned on a first side of the divider and a second set of seats positioned on a second side of the panel opposite the first side; and,

FIG. 21 is a side view of the panel of FIG. 1 shown in the cabin of the aircraft.

(Continued)



The broken lines in the drawings illustrate portions of the invention and environment that form no part of the claimed design.

1 Claim, 14 Drawing Sheets

(58) Field of Classification Search

USPC D12/423, 424, 426, 426.1; D6/349, 350, D6/355, 356, 492, 332, 336, 337, 338, D6/511, 678; 296/146.16, 24.34; 297/118, 118.1, 118.2, 118.5, 118.6, 119, 297/120, 121; 224/29.5, 405; 244/118.1, 244/118.5, 118.6, 119, 122 AH

See application file for complete search history.

(56) References Cited

U.S. PATENT DOCUMENTS

D246,304	S	*	11/1977	Horn	D12/195
D349,608	S		8/1994	Savoie		
5,384,998	A		1/1995	Tanaka et al.		
D382,735	S		8/1997	Zapf		
D439,425	S	*	3/2001	Park	D6/356
D510,816	S	*	10/2005	Lee	D6/356
7,059,657	B2		6/2006	Bodin et al.		
D558,993	S	*	1/2008	Saint-Jalmes	D6/356
D591,520	S	*	5/2009	Orson	D6/356
D609,500	S	*	2/2010	Fieldhouse	D6/678
D611,399	S	*	3/2010	Bock	D12/345
D615,919	S	*	5/2010	Bock	D12/345
D621,331	S		8/2010	Bock		
D623,577	S	*	9/2010	Orson	D12/345
D623,578	S	*	9/2010	Orson	D12/345
D656,750	S		4/2012	Porter et al.		
D686,423	S	*	7/2013	Salzberger	D6/356
D695,033	S	*	12/2013	Salzberger	D6/356
D702,623	S		4/2014	Salzberger et al.		
D713,160	S	*	9/2014	Roberts	D6/356
D715,066	S	*	10/2014	Nicholas	D6/356
D718,945	S	*	12/2014	Nicholas	D6/356
D727,042	S	*	4/2015	Wagner	D6/338
D740,039	S		10/2015	Bouroullec et al.		
9,248,722	B2		2/2016	Gillay et al.		
D758,270	S		6/2016	Zadnik		
D765,571	S		9/2016	Faghihzadeh		
D777,636	S		1/2017	Lindsey		
9,545,999	B2	*	1/2017	Henshaw	B64D 11/0601
9,622,570	B1	*	4/2017	Holdredge	A47B 5/00
D790,239	S	*	6/2017	Goode	D6/356
D791,031	S		7/2017	Lindsey		
D792,932	S		7/2017	Taylor et al.		
D793,749	S	*	8/2017	Kitajima	D6/332
D793,750	S	*	8/2017	Kitajima	D6/332
D794,344	S		8/2017	MacAllen et al.		
9,758,027	B1		9/2017	Sia, Jr. et al.		
D798,622	S		10/2017	Grader et al.		
D806,416	S	*	1/2018	Katakura	D6/356
9,856,025	B2	*	1/2018	Jasny	B60N 2/995
D811,970	S		3/2018	Lokers		
D814,374	S		4/2018	Patterson et al.		
9,938,015	B2	*	4/2018	Savian	B64D 11/0601
D818,921	S	*	5/2018	Pelletier	D12/195
D830,712	S		10/2018	Goode et al.		
10,246,192	B1	*	4/2019	Prasad	B60N 2/995
D849,624	S	*	5/2019	Von Holzhausen	D12/195
10,279,912	B2	*	5/2019	Robinson	B64D 11/0605
D850,131	S		6/2019	Goode et al.		
D851,004	S		6/2019	Jackson et al.		
10,308,100	B2		6/2019	Bendiks et al.		
D856,692	S	*	8/2019	Veneruso	D6/356
10,562,633	B2	*	2/2020	Kuyper	B64D 11/0604
D880,175	S	*	4/2020	Gyllang	D6/338
2007/0210209	A1	*	9/2007	Saint-Jalmes	B64D 11/06 244/119

2008/0088160	A1	*	4/2008	Johnson	B64D 11/0641 297/240
2010/0065683	A1	*	3/2010	Darbyshire	B64D 11/0601 244/118.6
2011/0012386	A1		1/2011	Bmcick et al.		
2012/0223186	A1	*	9/2012	Henshaw	B64D 11/00151 244/118.6
2012/0248246	A1	*	10/2012	Savian	B64D 11/06 244/118.6
2014/0015233	A1		1/2014	Fukawatase		
2014/0117731	A1		5/2014	Asli		
2016/0272323	A1		9/2016	Carlioz		
2017/0015420	A1		1/2017	Henshaw et al.		
2017/0197529	A1		7/2017	Hontz et al.		
2019/0061955	A1		2/2019	Wilson et al.		

FOREIGN PATENT DOCUMENTS

FR	2930208		10/2009		
FR	2935113		2/2010		
KR	301047850.0000	*	7/2017		
WO	03068556		8/2003		
WO	2018169575		9/2018		

OTHER PUBLICATIONS

Top 10 best airlines for longhaul Business Class, TheLuxuryTravelExpert.com, Apr. 6, 2020, [online], [site visited May 1, 2020]. <URL: <https://theluxurytravelexpert.com/2020/04/06/top-10-airlines-business-class/>> (Year: 2020).*

NOT All Dreamliner Configurations Are Created Equal, TravelWithGrant.BoardingArea.com, Posted on Jan. 10, 2018 by Shelli, [online], [site visited May 1, 2020]. <URL: <https://travelwithgrant.boardingarea.com/2018/01/10/not-all-dreamliner-configurations-are-created-equal-shelli/>> (Year: 2018).*

Tangerine, "Aircraft cabin harmony Cathay Pacific," retrieved from [<http://tangerine.net/our/work/cathay-pacific-a350-aircraft-cabin-harmony/>] on Oct. 11, 2018, 8 pages.

Bradley, "Flying With a Baby, British Airways B777 Business Class (Club Class) Review," Mar. 25, 2018, retrieved from [<https://www.flyingwithababy.com/british-airways-b777-club-class-review/>] on Oct. 11, 2018, 17 pages.

Seating configuration, image retrieved from [https://encrypted-tbn0.gstatic.com/images?q=tbn:ANd9GcRdZpIfGO_jv-QH9z9MqZ4u6NxOQuD8XSA73tWM6TZRC6a38tuOEQ] on Oct. 11, 2018, 1 page.

Airline Reporter, "The Plane that Pampers People," image retrieved from <http://www.airlinereporter.com/wp-content/uploads/2013/01/L1011.jpg>, on Oct. 11, 2018, 1 page.

European Patent Office, "Extended European Search Report," issued in connection with European Patent Application No. 191692573, dated Dec. 11, 2019, 14 pages.

European Patent Office, "Partial European Search Report," issued in connection with European Patent Application No. 19169257.3, dated Sep. 11, 2019, 15 pages.

Brazilian Patent Office, "Office Action," issued in connection with Brazilian Patent Application No. 30 2019 001867-5, dated Oct. 22, 2019, 2 pages.

United States Patent and Trademark Office, "Ex parte Quayle Action," issued in connection with U.S. Appl. No. 29/648,441, dated Feb. 14, 2020, 10 pages.

United States Patent and Trademark Office, "Notice of Allowance and Fee(s) Due," issued in connection with U.S. Appl. No. 29/648,441, dated Apr. 30, 2020, 7 pages.

United States Patent and Trademark Office, "Notice of Allowance and Fee(s) Due," issued in connection with U.S. Appl. No. 15/985,387, dated Sep. 23, 2020, 8 pages.

Canadian Intellectual Property Office, "Examination Report," issued in connection with Canadian Patent Application No. 187379, dated Jul. 20, 2020, 2 pages.

* cited by examiner

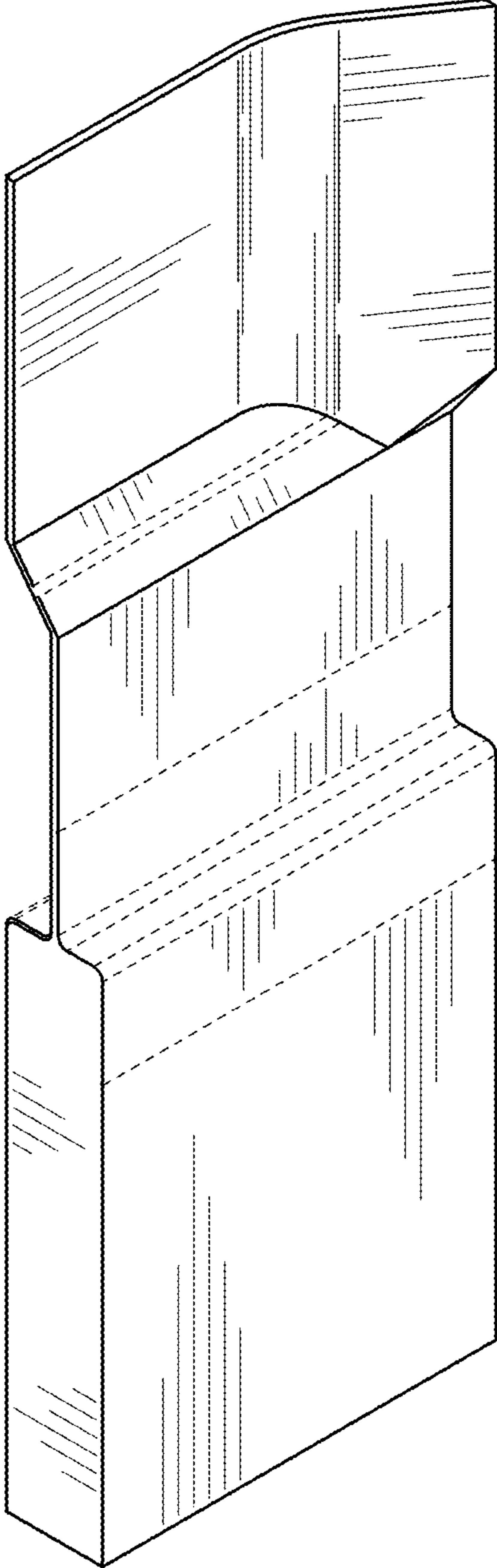


FIG. 1

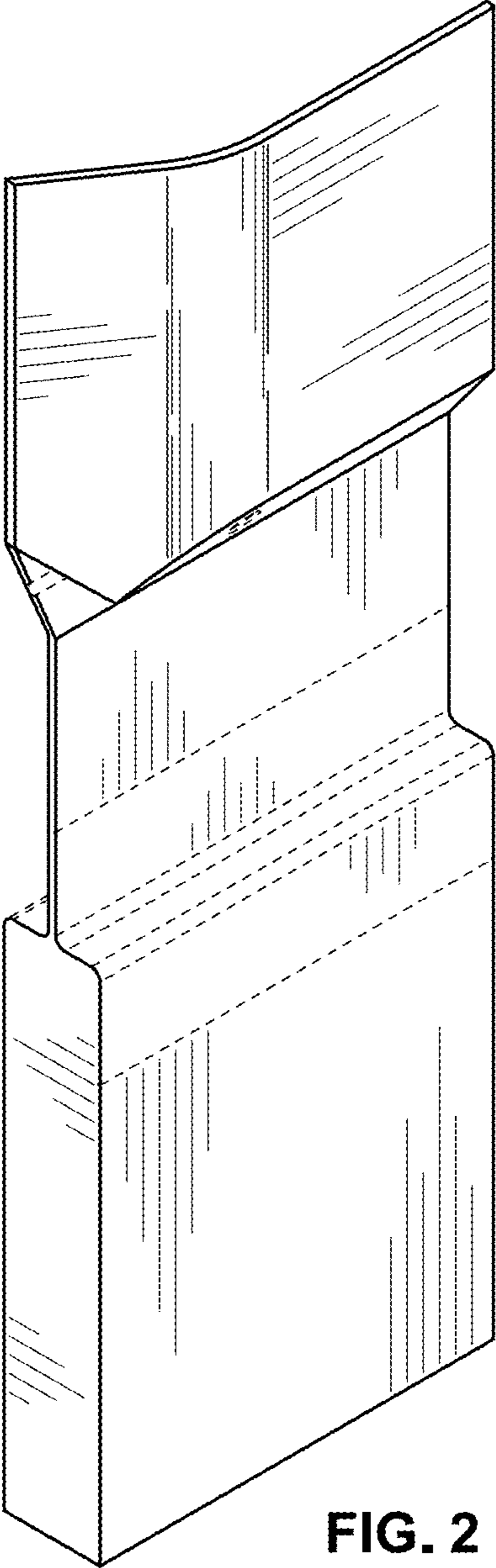


FIG. 2

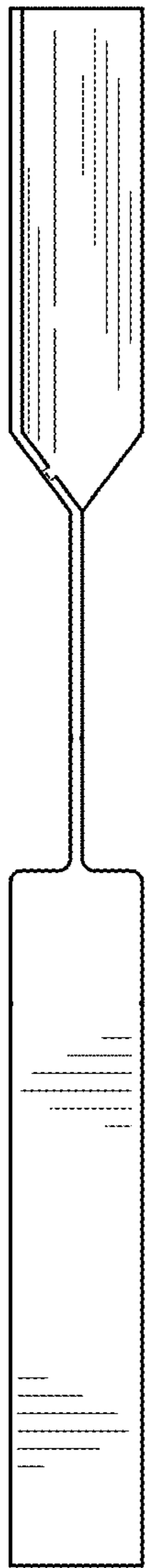


FIG. 3

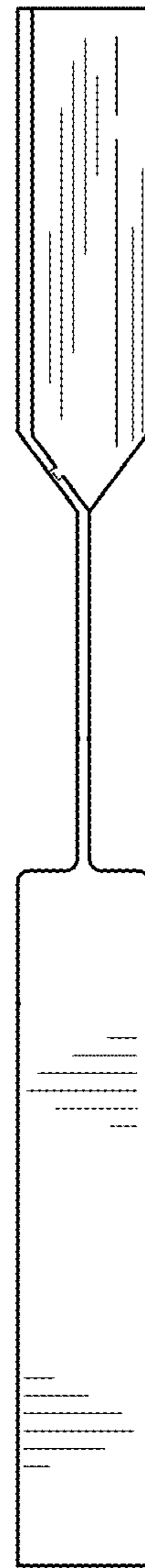


FIG. 4

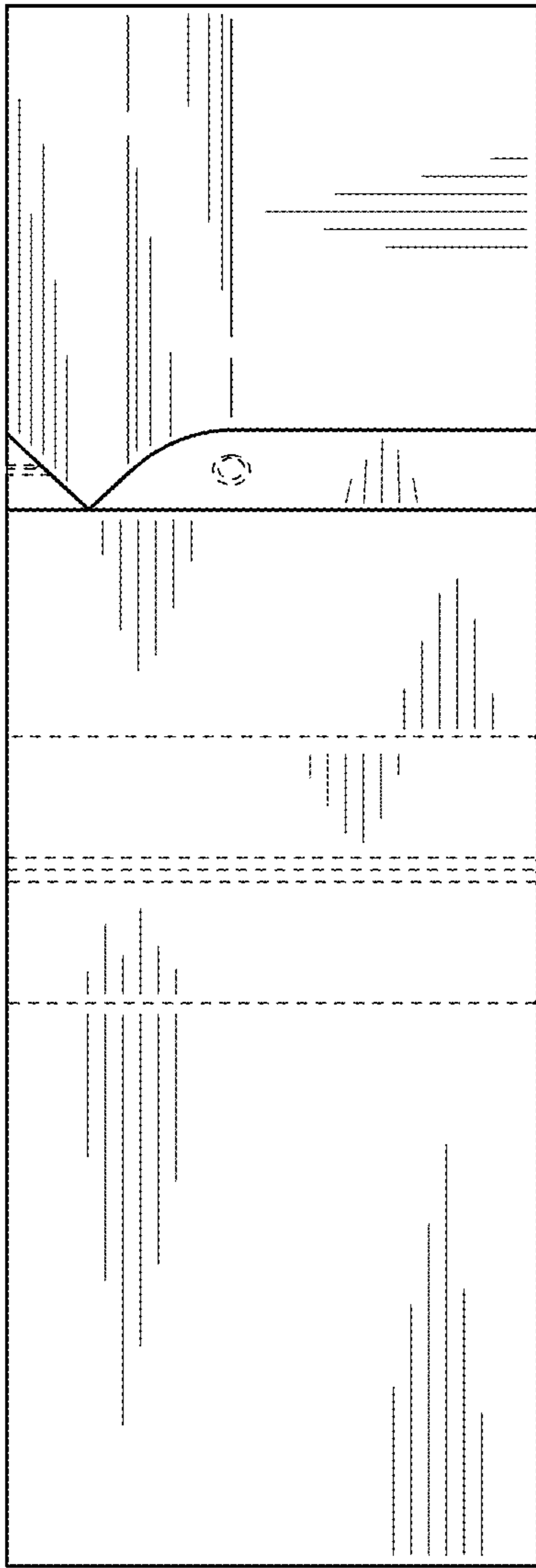


FIG. 5

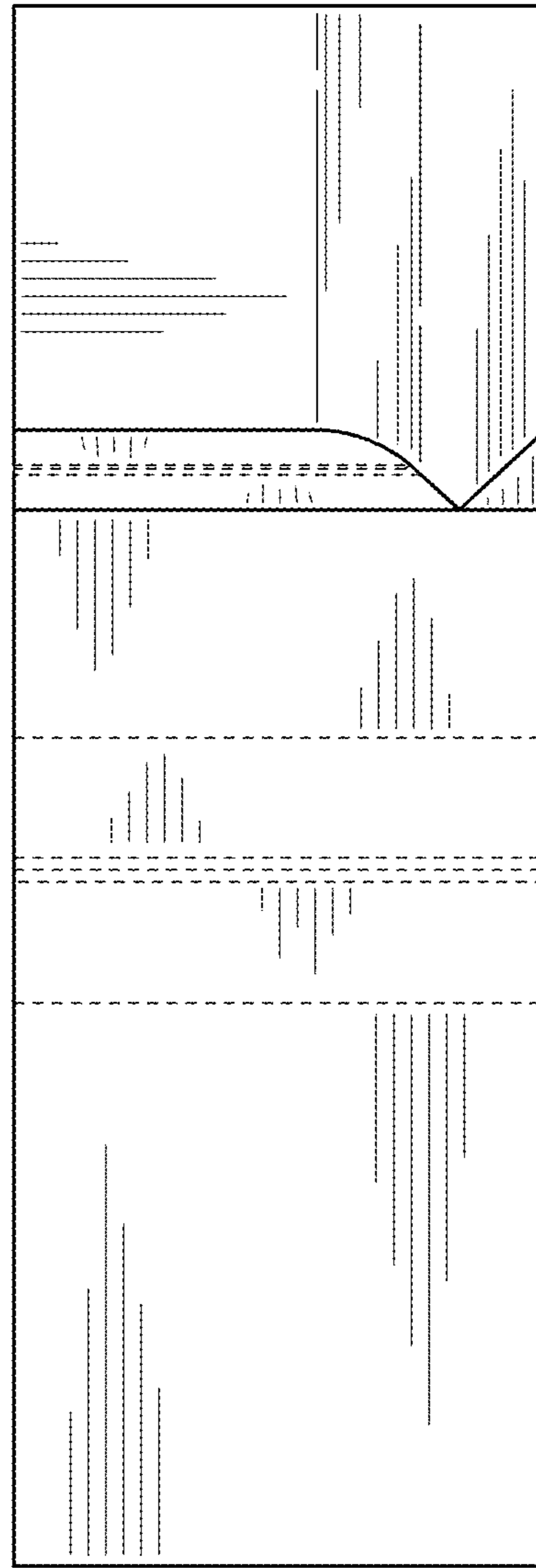


FIG. 6

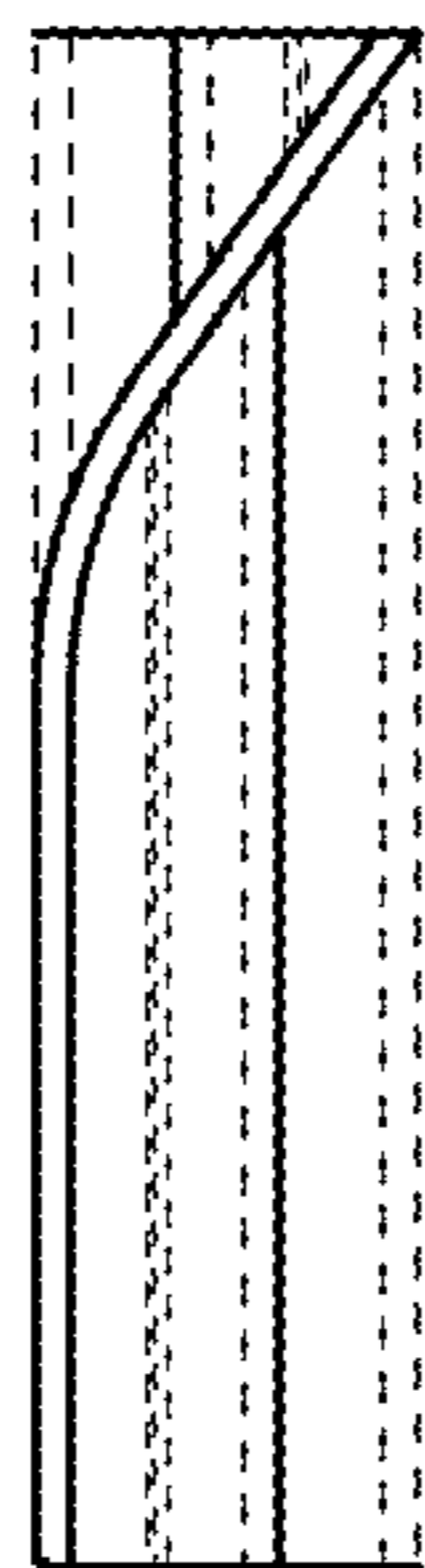


FIG. 7



FIG. 8

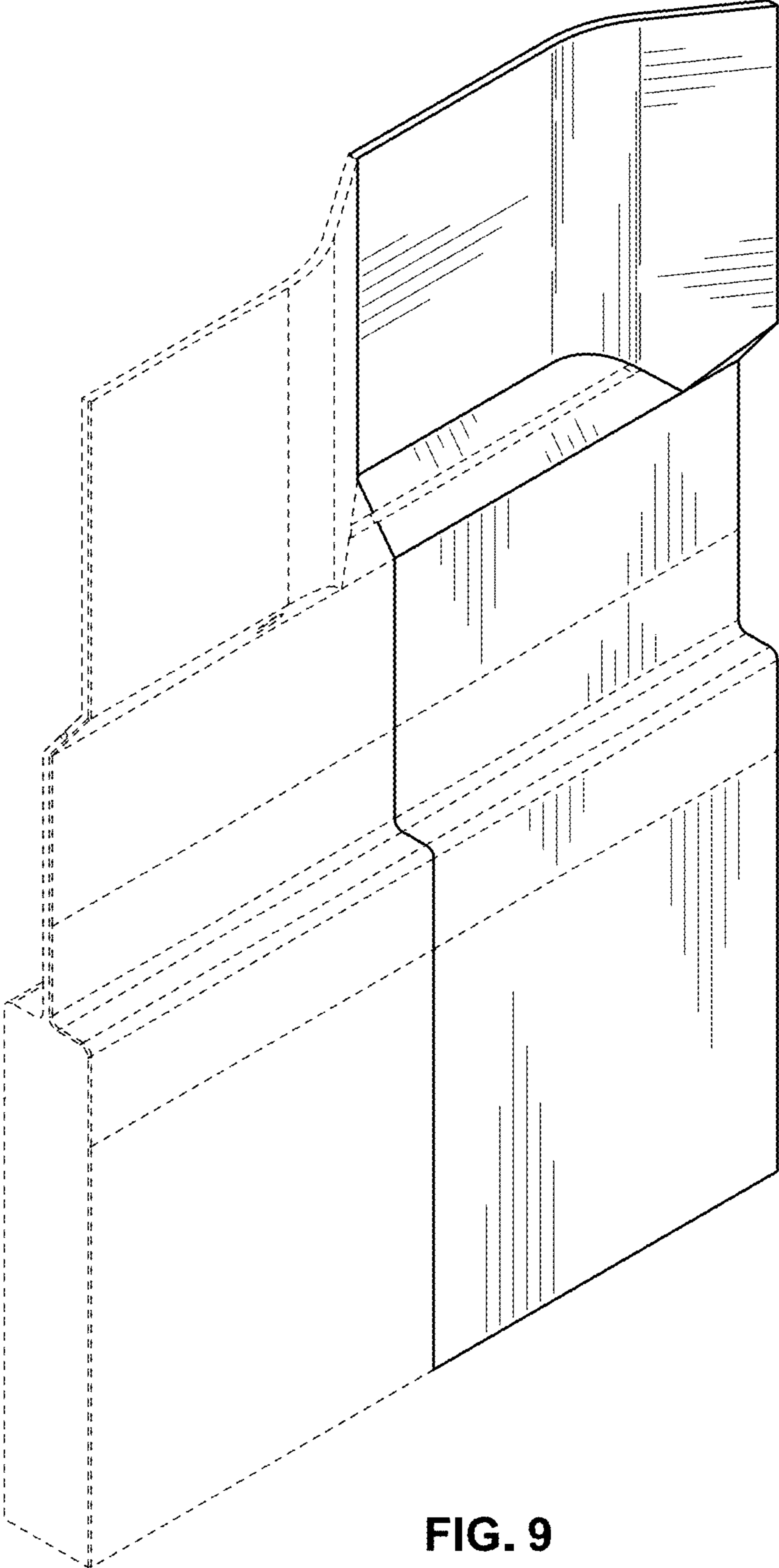


FIG. 9

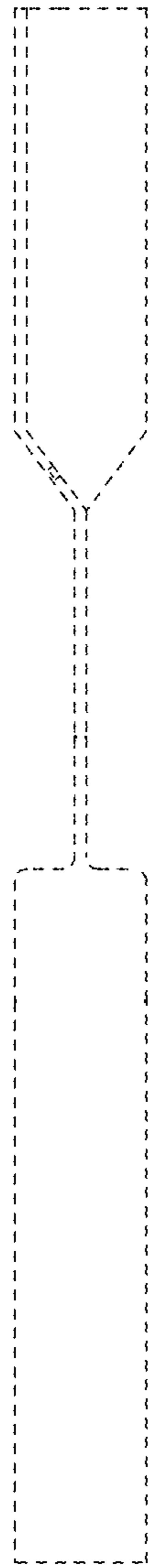


FIG. 10

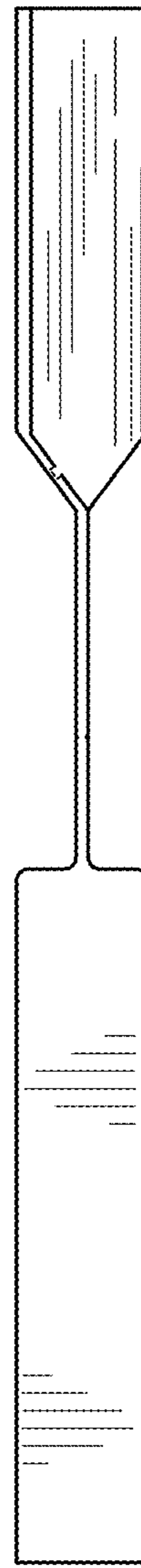


FIG. 11

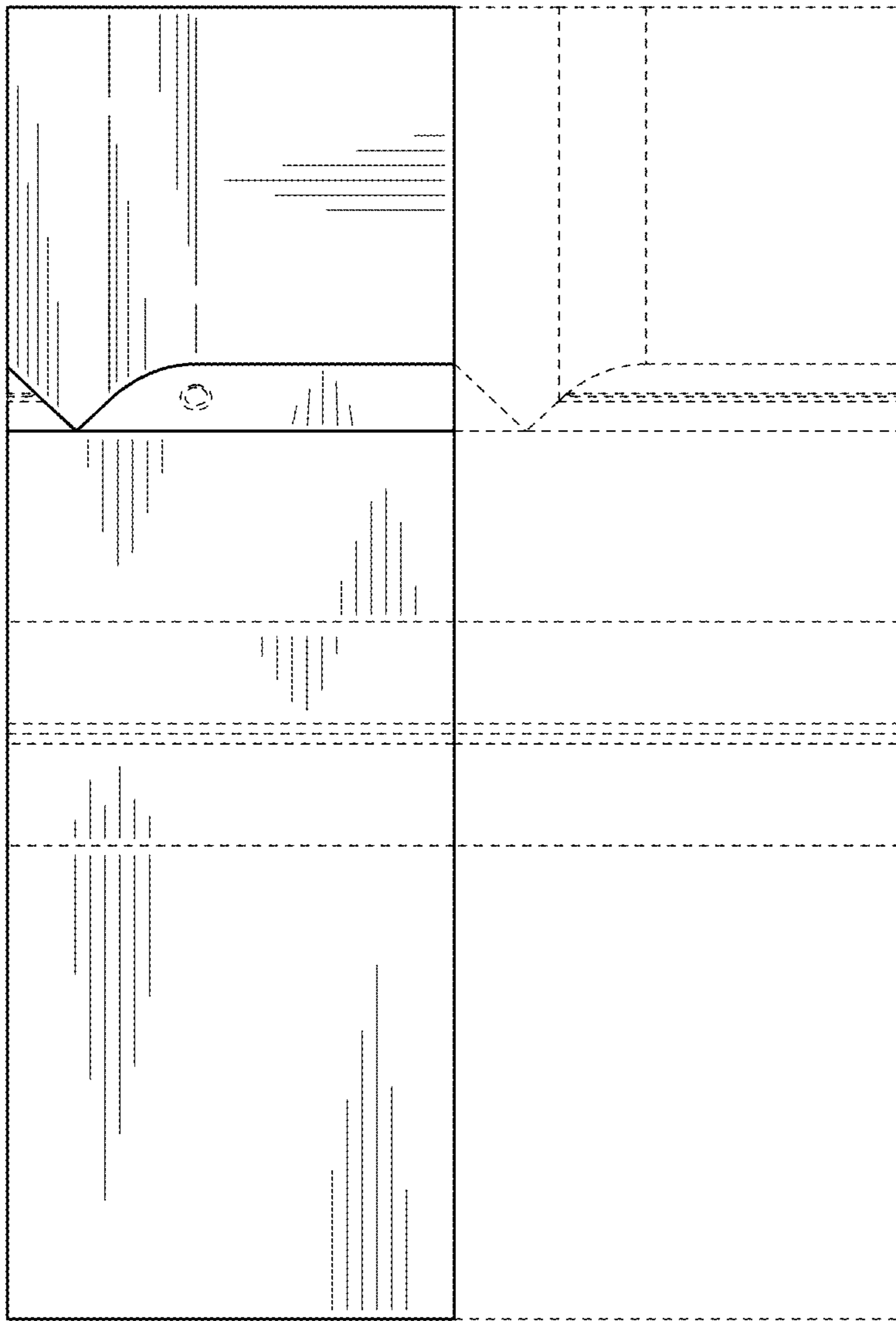


FIG. 12

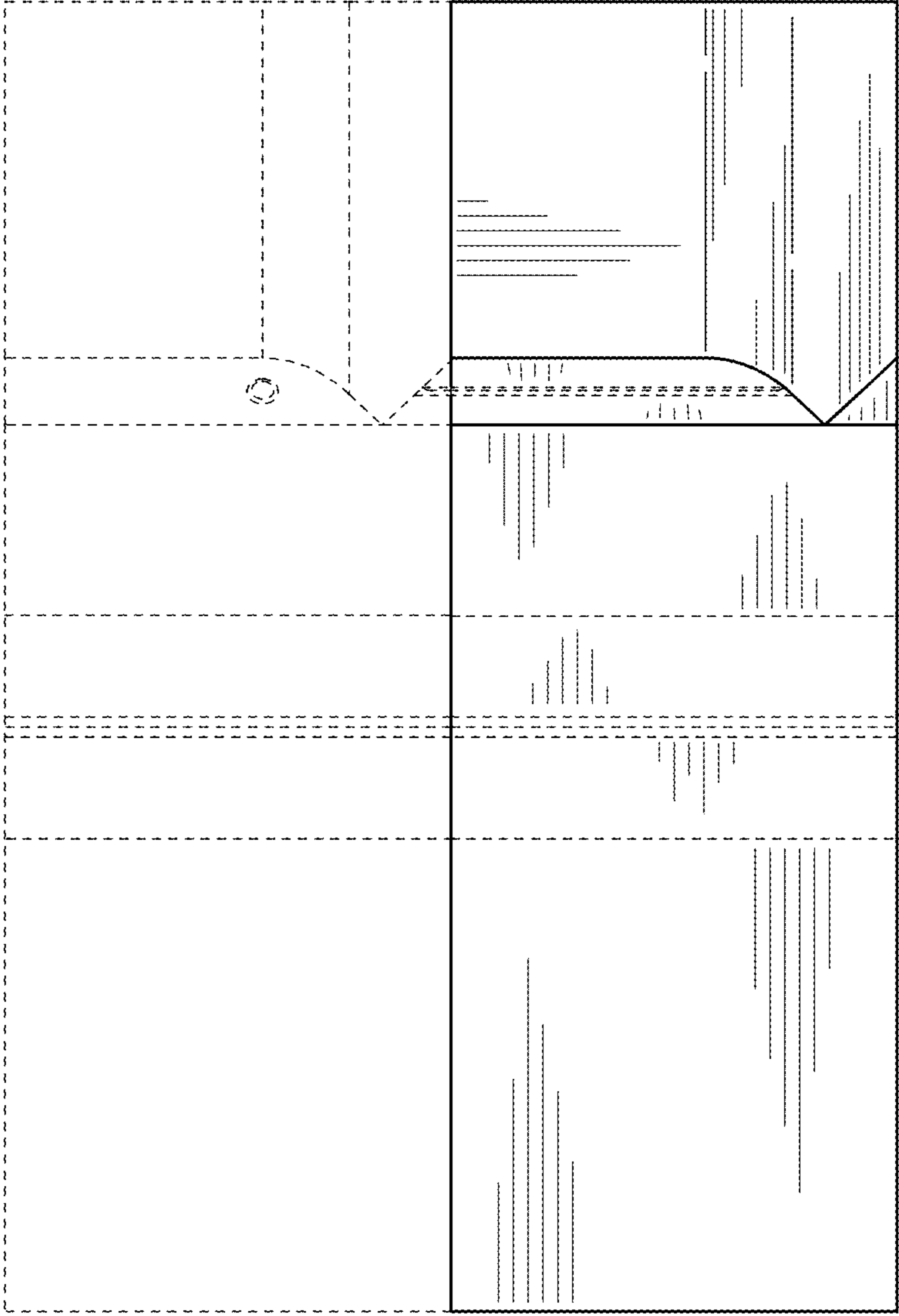


FIG. 13

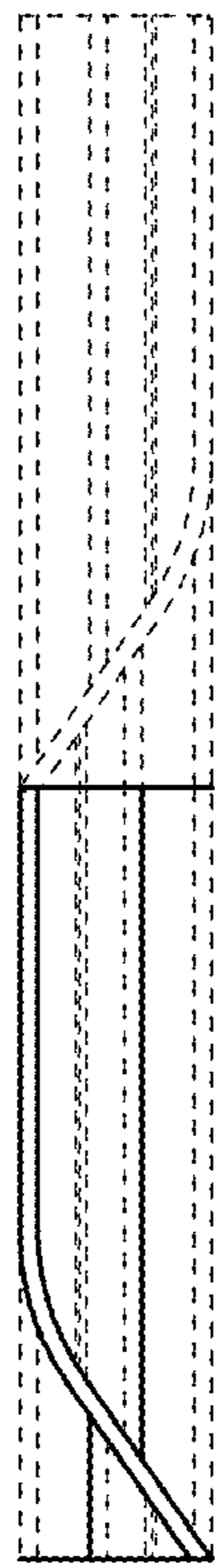


FIG. 14



FIG. 15

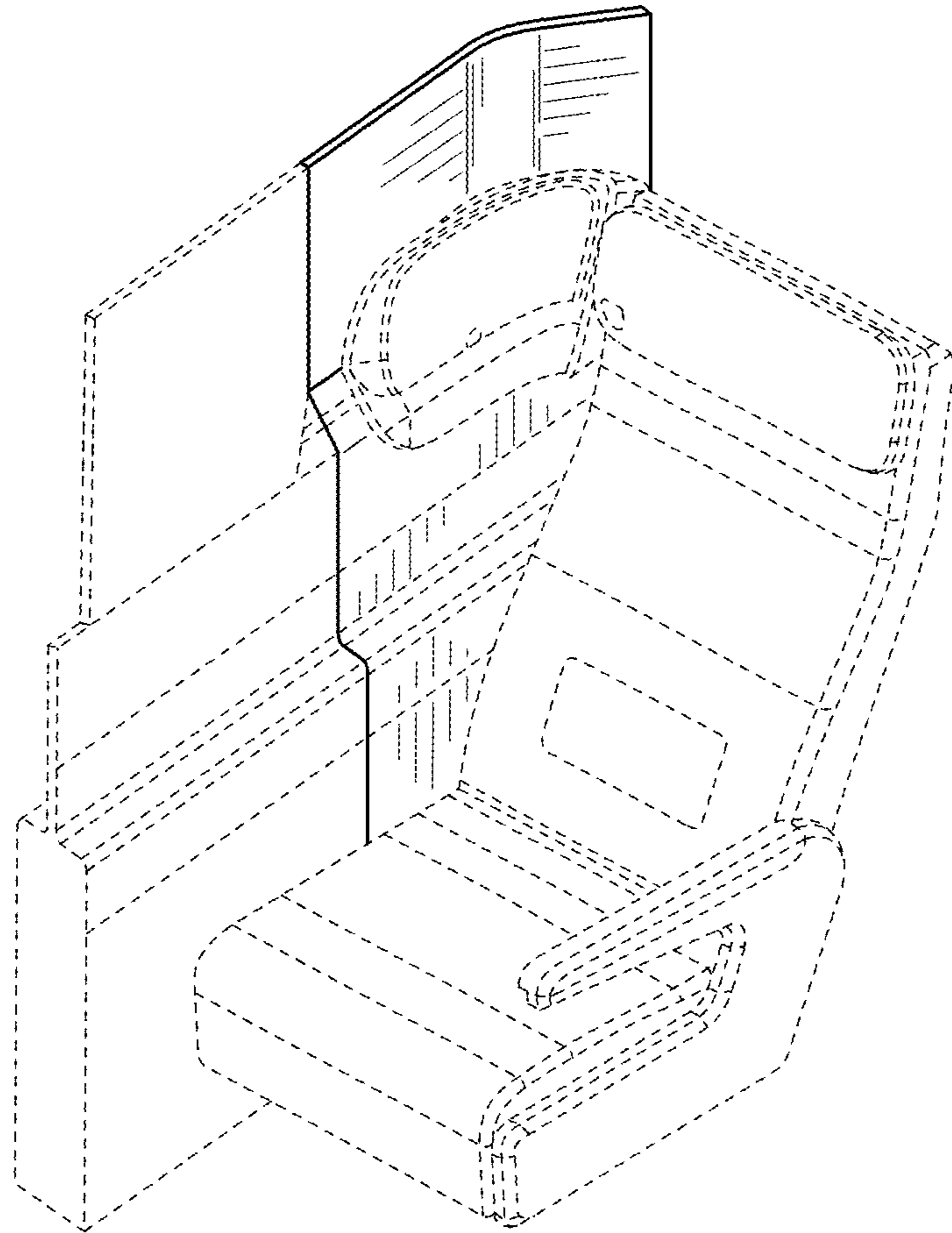


FIG. 16

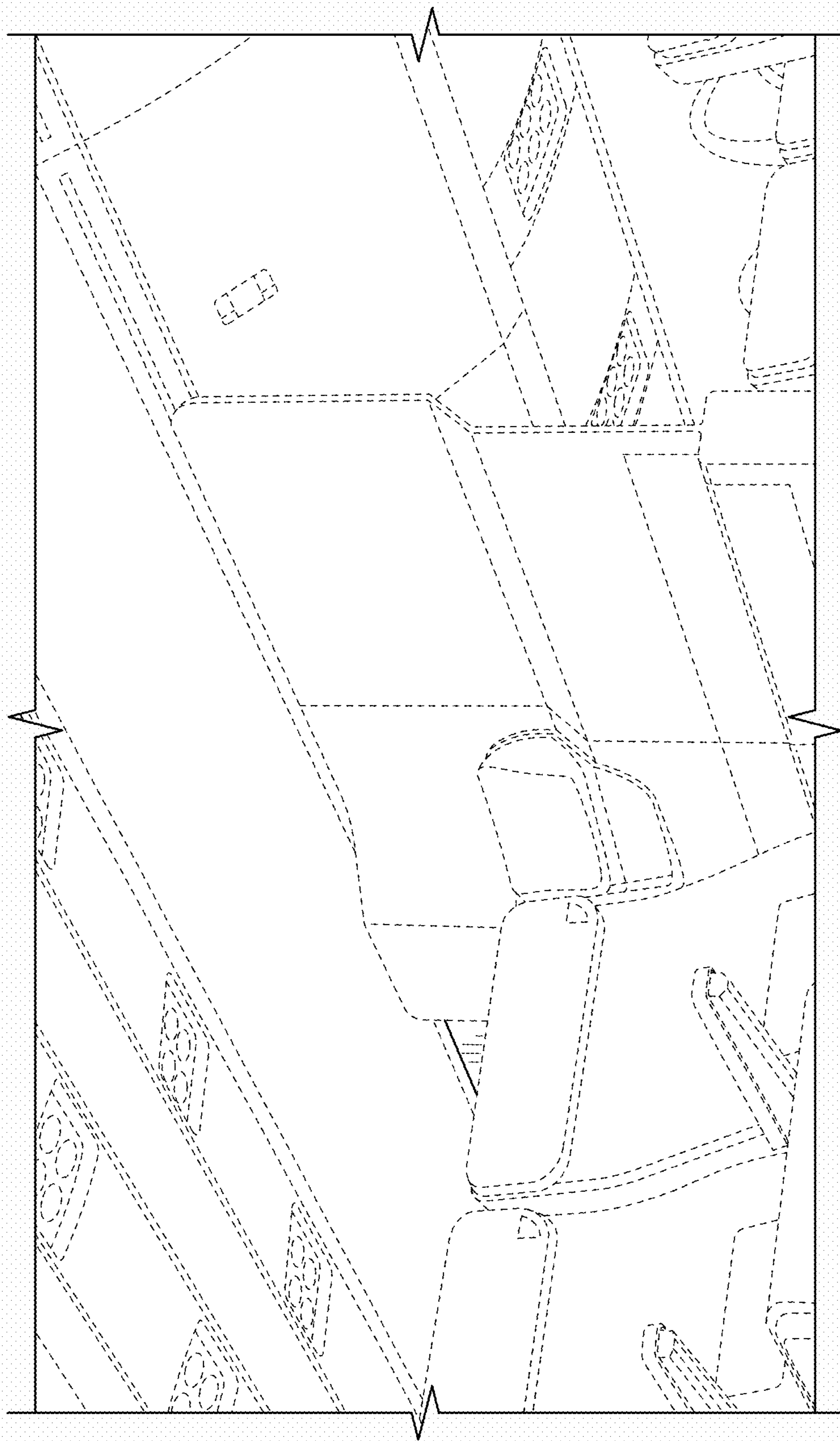


FIG. 17

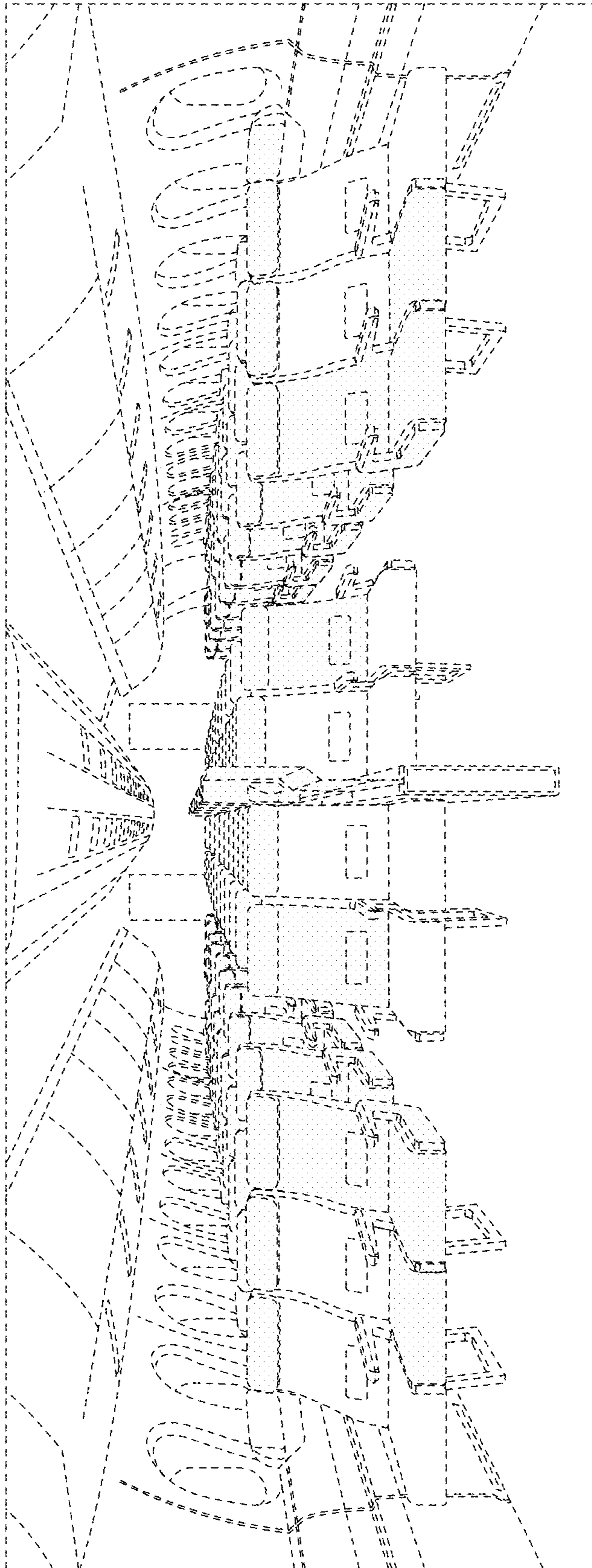


FIG. 18

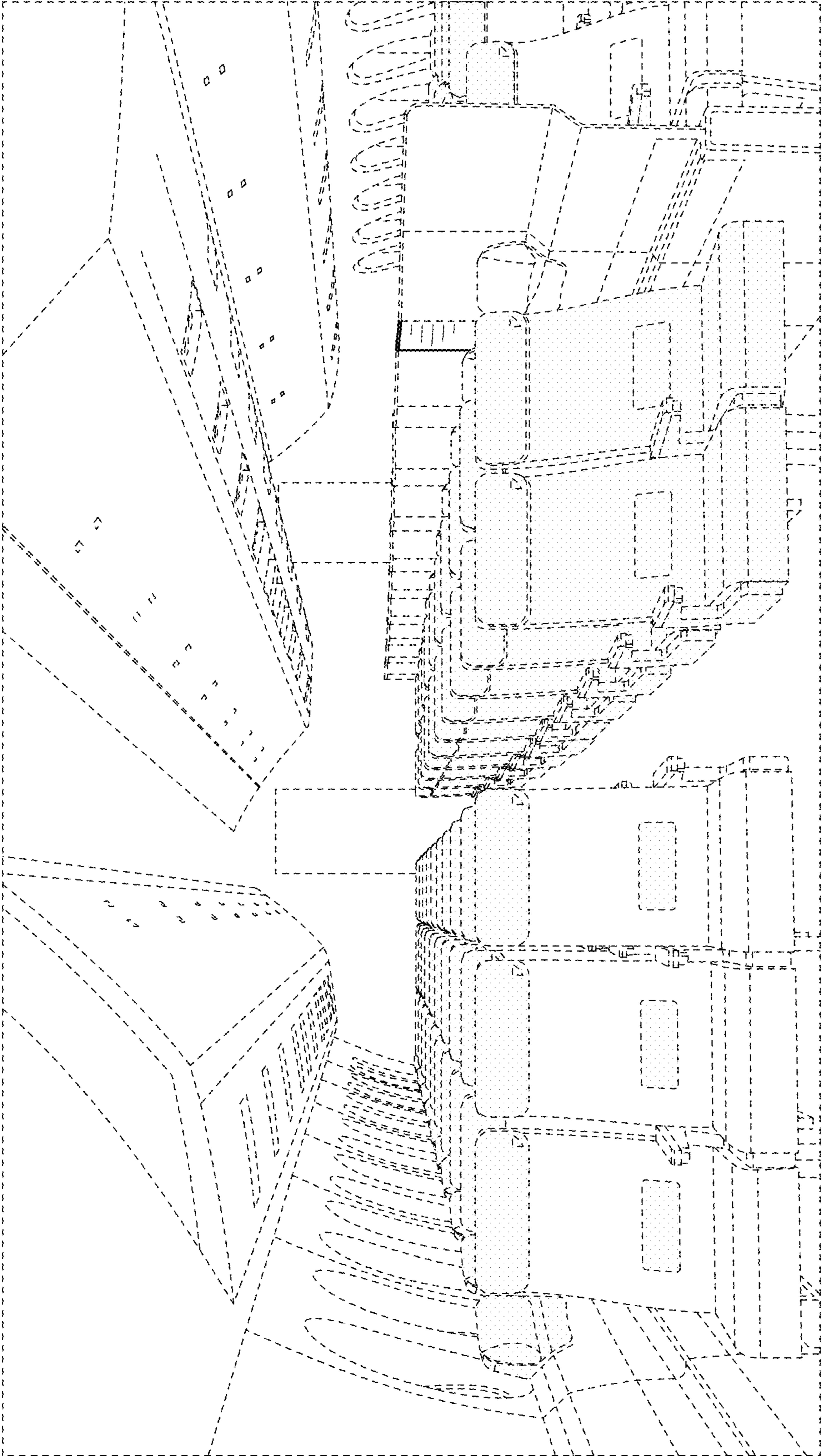


FIG. 19

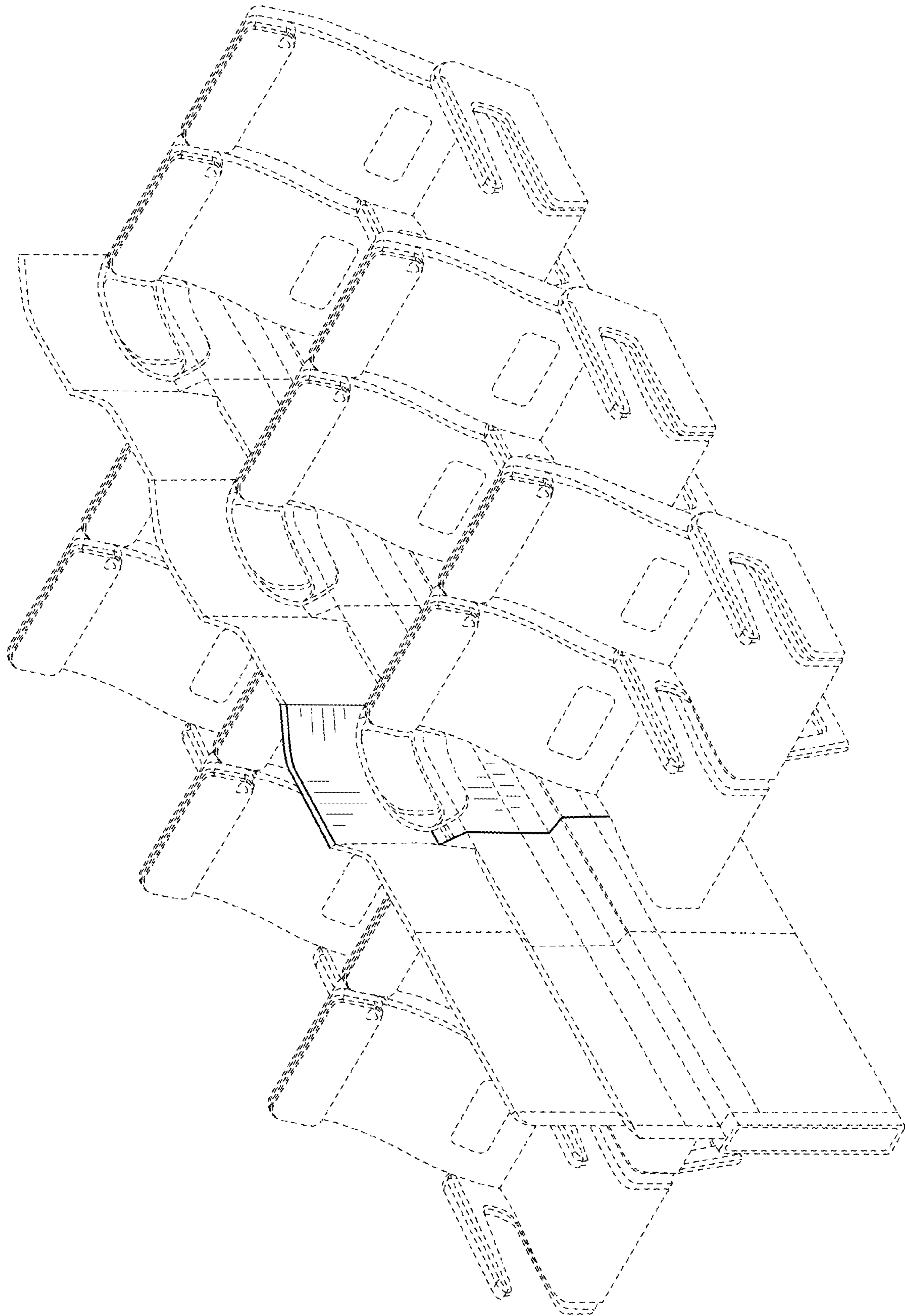


FIG. 20

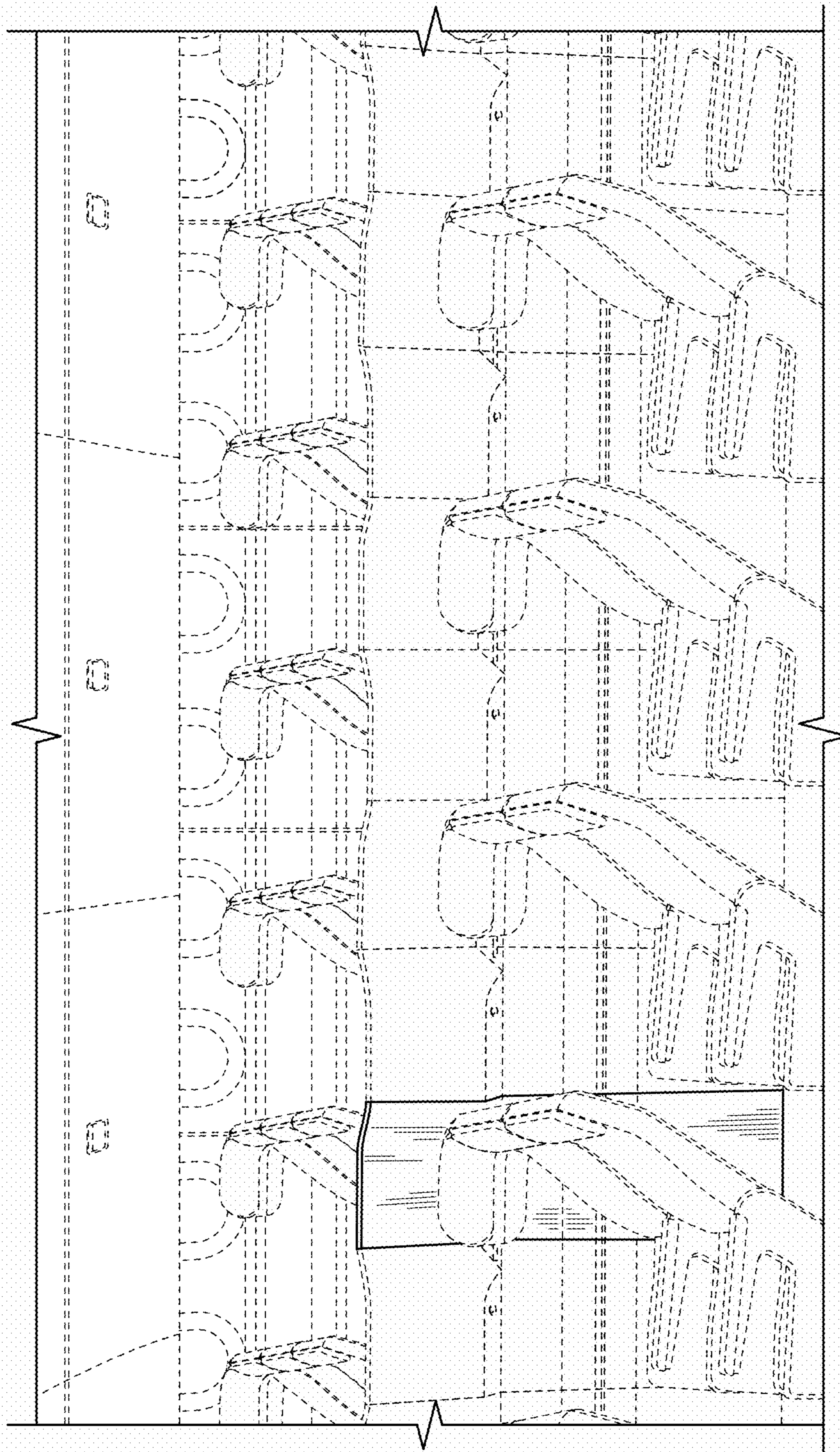


FIG. 21