



US00D911898S

(12) **United States Design Patent** (10) **Patent No.:** **US D911,898 S**  
**Akrapovič et al.** (45) **Date of Patent:** **\*\* Mar. 2, 2021**

(54) **MUFFLER FOR MOTOR VEHICLES**  
(71) Applicant: **Igor Akrapovič**, Ljubljana (SI)  
(72) Inventors: **Igor Akrapovič**, Ljubljana (SI); **Ermin Kosovel**, Zgornje Gorje (SI); **Alojz Trstenjak**, Ljubljana (SI); **Marko Besal**, Šmarjeske Toplice (SI); **Zane Sedevcic**, Smartno Pri Litiji (SI)  
(\*\*) Term: **15 Years**  
(21) Appl. No.: **35/508,031**  
(22) Filed: **Sep. 3, 2019**  
(80) **Hague Agreement Data**  
Int. Filing Date: **Sep. 3, 2019**  
Int. Reg. No.: **DM/204425**  
Int. Reg. Date: **Sep. 3, 2019**  
Int. Reg. Pub. Date: **Dec. 6, 2019**

(30) **Foreign Application Priority Data**  
Mar. 19, 2019 (EM) ..... 006314308  
(51) **LOC (13) Cl.** ..... **12-16**  
(52) **U.S. Cl.**  
USPC ..... **D12/194**  
CPC ..... **F01N 13/20** (2013.01)  
(58) **Field of Classification Search**  
USPC ..... D23/205, 209, 323, 330; D15/5;  
D12/194  
CPC ... F01N 1/00; F01N 1/003; F01N 1/02; F01N 1/04; F01N 1/10; F01N 1/24; F01N 13/08; F01N 13/082; F01N 13/085; F01N 13/087; F01N 13/20; F01N 13/16  
See application file for complete search history.

(56) **References Cited**  
U.S. PATENT DOCUMENTS  
D246,038 S \* 10/1977 Moller ..... D12/194  
6,431,311 B1 \* 8/2002 Brown ..... F01N 13/082  
181/227

D467,210 S \* 12/2002 Yu ..... D12/194  
D480,030 S \* 9/2003 Gilli ..... D12/194  
D490,036 S \* 5/2004 Cho ..... D12/194  
D495,642 S \* 9/2004 Luttig ..... D12/194  
D496,313 S \* 9/2004 Suzuki ..... D12/194  
D541,718 S \* 5/2007 Emler ..... D12/194  
D550,134 S \* 9/2007 Akrapovic ..... D12/194  
D573,520 S \* 7/2008 Kouchi ..... D12/194  
D573,521 S \* 7/2008 Hsu ..... D12/194  
D578,050 S \* 10/2008 Hsu ..... D12/194  
D589,422 S \* 3/2009 Davis, Jr. .... D12/194  
D597,915 S \* 8/2009 Bhambra ..... D12/194  
D654,839 S \* 2/2012 Contreras ..... D12/194  
8,439,159 B1 \* 5/2013 Borla ..... F01N 1/083  
181/257  
D689,420 S \* 9/2013 Chou ..... D12/194  
D709,012 S \* 7/2014 Chou ..... D12/194  
D712,812 S \* 9/2014 Verlengiere ..... D12/194  
D762,540 S \* 8/2016 Yasuhara ..... D12/194  
D767,456 S \* 9/2016 Finnie ..... D12/194  
D773,970 S \* 12/2016 Kobayashi ..... D12/194

(Continued)

*Primary Examiner* — Richard E Chilcot  
(74) *Attorney, Agent, or Firm* — Olson & Cepuritis, Ltd.;  
Shawn E. Duckworth

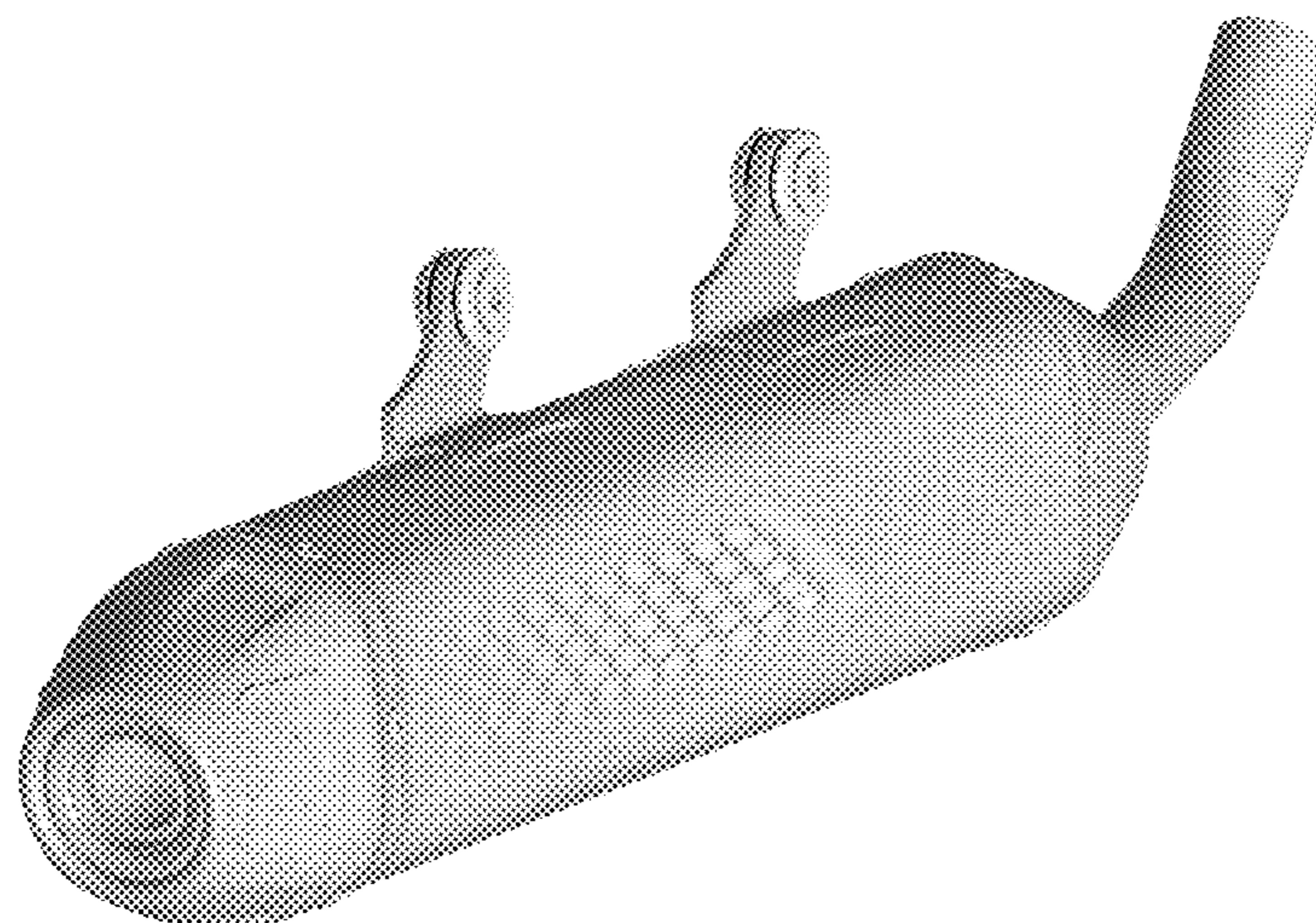
(57) **CLAIM**

The ornamental design for a muffler for motor vehicles, as shown and described.

**DESCRIPTION**

- 1. Muffler for motor vehicles
- 1.1 : Perspective
- 1.2 : Right
- 1.3 : Left
- 1.4 : Perspective
- 1.5 : Top
- 1.6 : Bottom
- 1.7 : Back
- 1.8 : Perspective
- 1.9 : Front

**1 Claim, 9 Drawing Sheets**



(56)

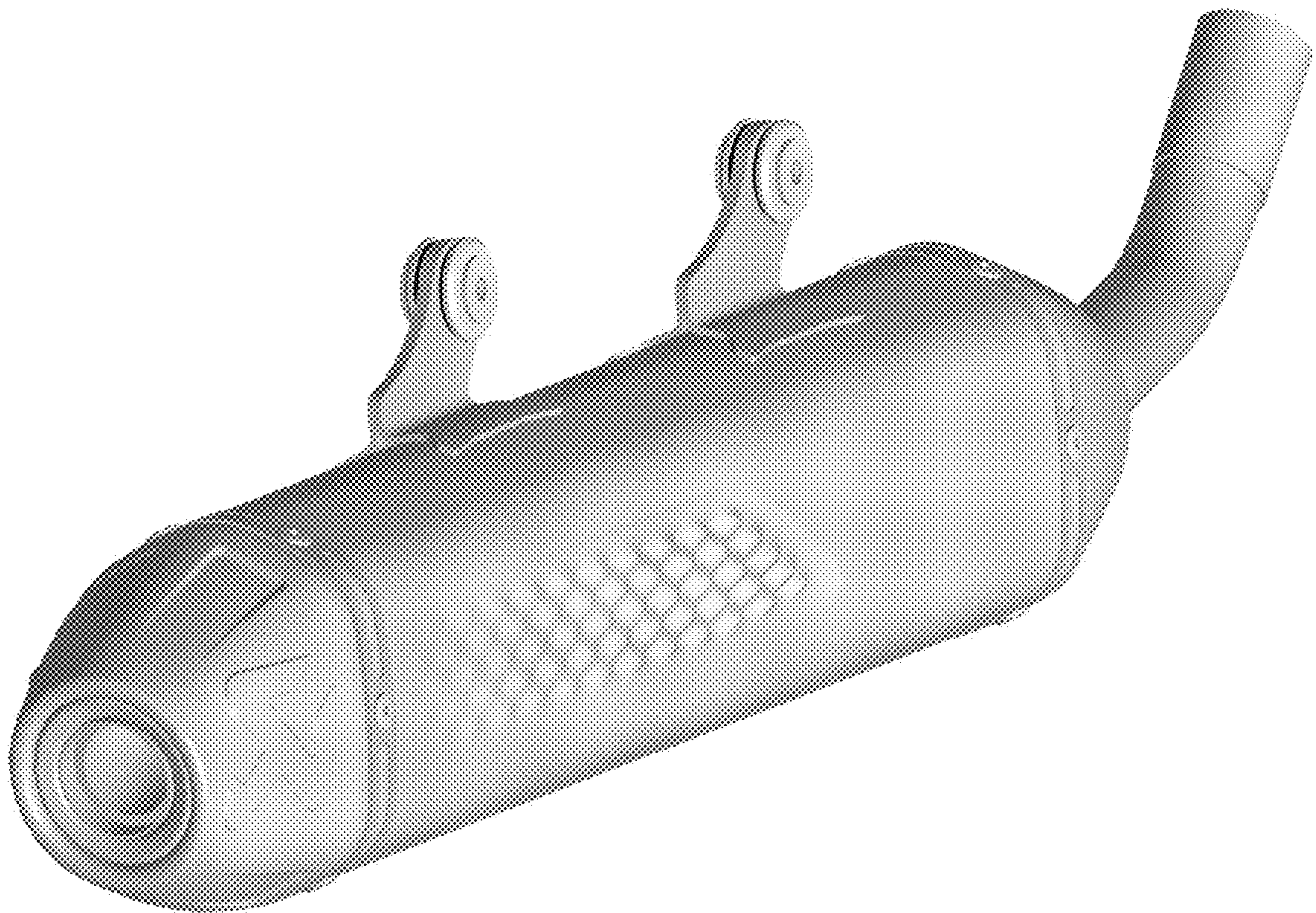
**References Cited**

U.S. PATENT DOCUMENTS

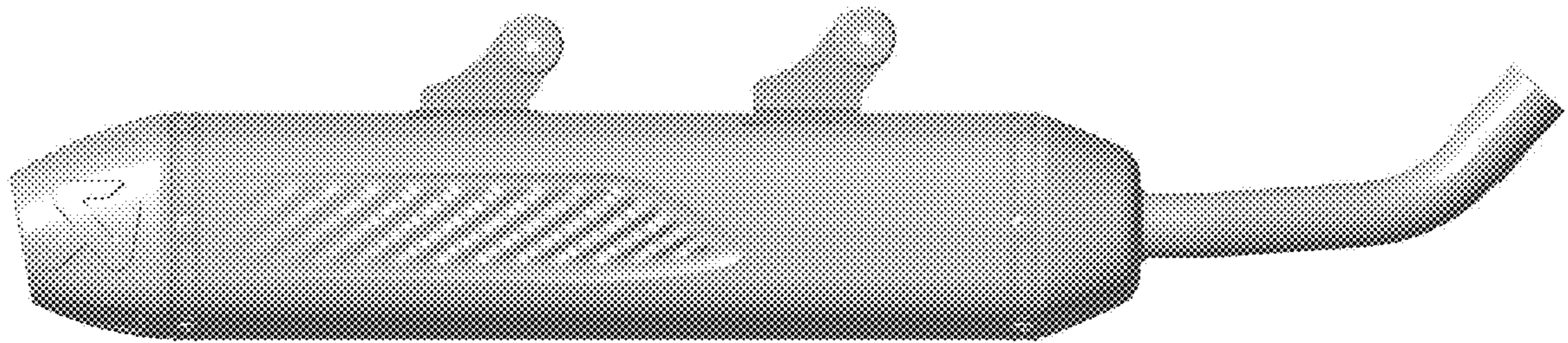
D798,884 S \* 10/2017 Kaasalainen ..... G06F 3/04817  
D14/485  
D804,381 S \* 12/2017 Akrapovic ..... D12/194  
D804,382 S \* 12/2017 Akrapovic ..... D12/194  
D804,383 S \* 12/2017 Akrapovic ..... D12/194  
D816,570 S \* 5/2018 Akrapovic ..... D12/194  
D819,066 S \* 5/2018 Anderson ..... D14/486  
D833,936 S \* 11/2018 Akrapovic ..... D12/194  
D836,514 S \* 12/2018 Akrapovic ..... D12/194  
D837,119 S \* 1/2019 Akrapovic ..... D12/194  
D852,821 S \* 7/2019 Anderson ..... D14/485  
10,437,845 B2 \* 10/2019 Anderson ..... G06F 16/248  
D875,009 S \* 2/2020 Akrapovic ..... D12/194  
D875,010 S \* 2/2020 Akrapovic ..... D12/194  
D877,763 S \* 3/2020 Inman ..... D14/486  
D895,502 S \* 9/2020 Marovic ..... D12/194  
2004/0089500 A1 \* 5/2004 Lewis ..... F01N 13/18  
181/249  
2008/0121456 A1 \* 5/2008 Davis ..... F01N 13/20  
180/309

\* cited by examiner

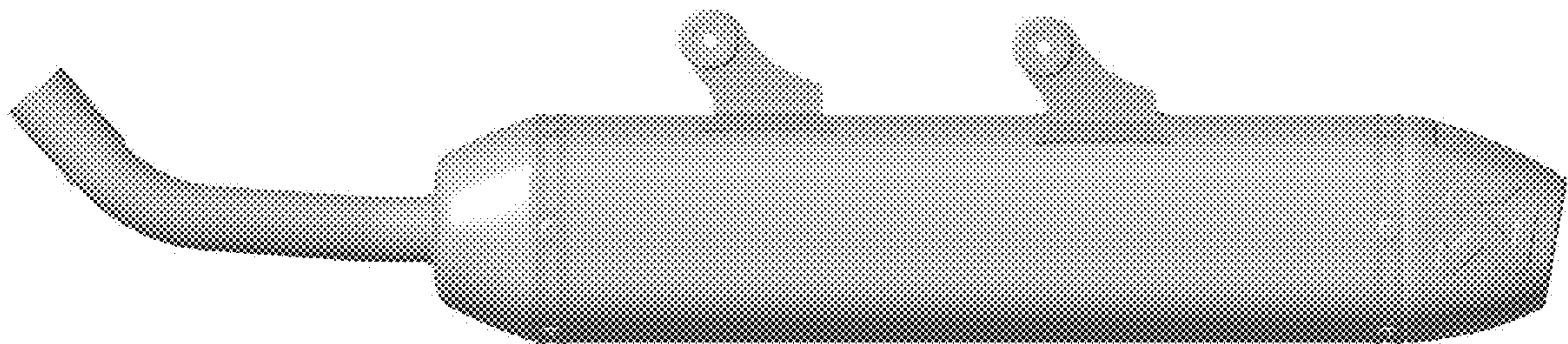
1.1



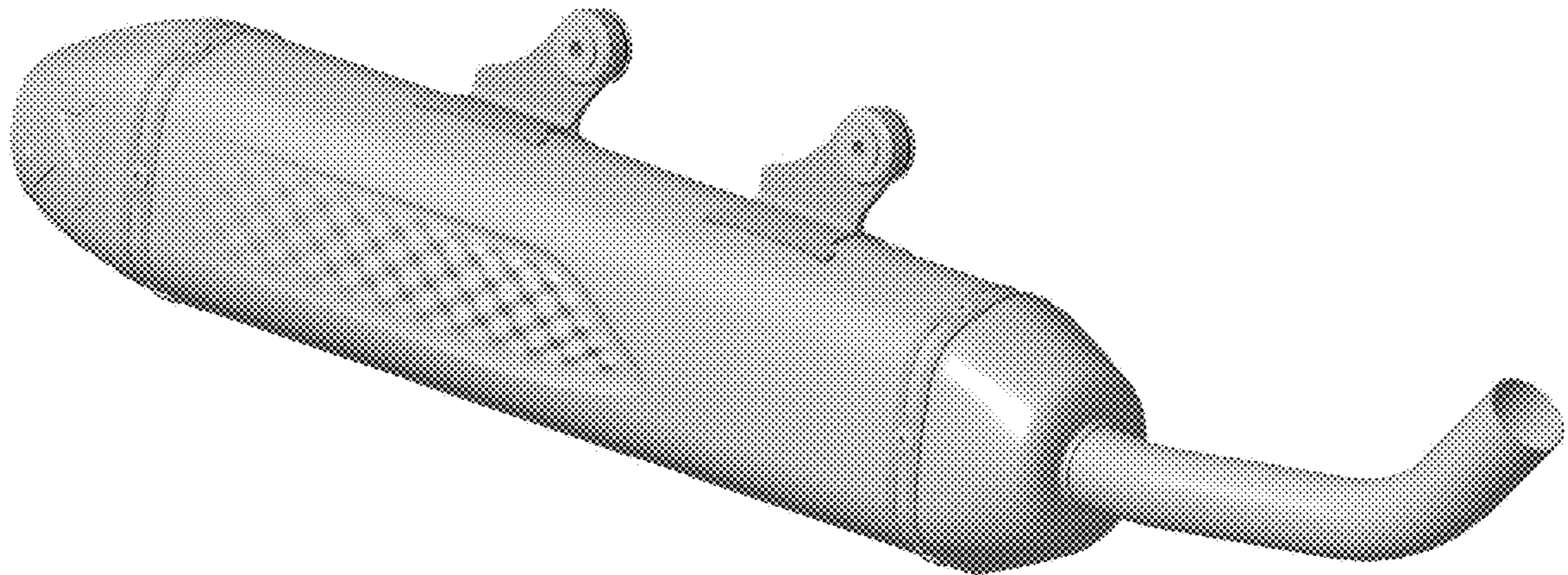
1.2



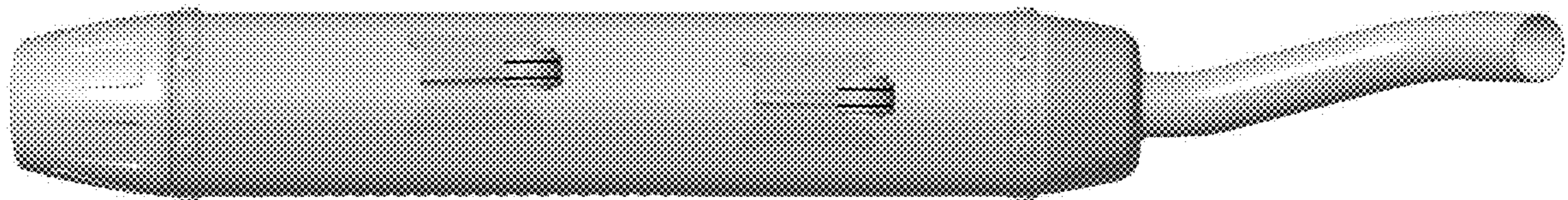
1.3



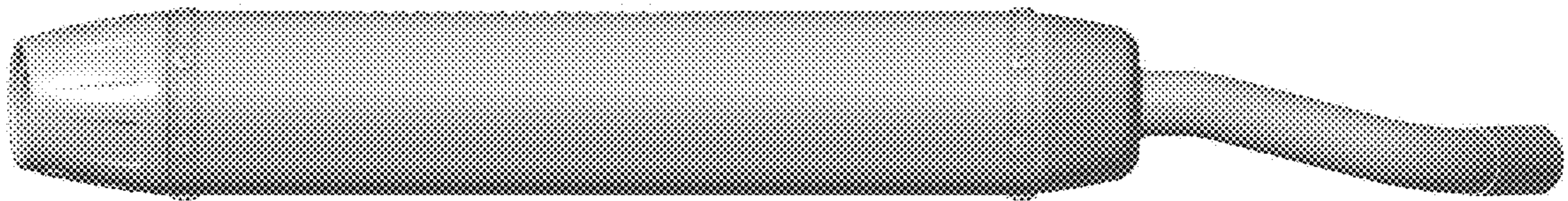
1.4



1.5



1.6

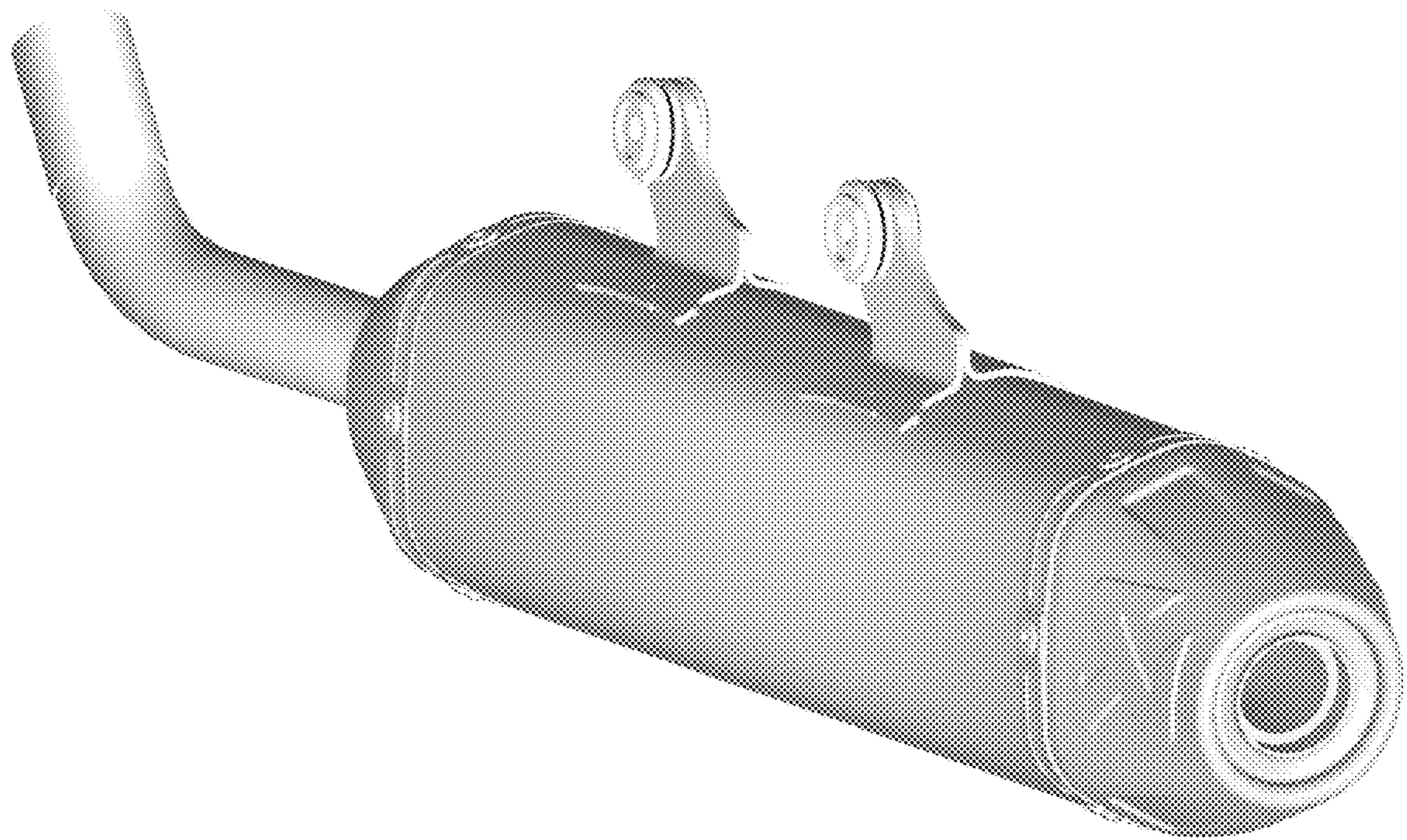




1.7



1.8



1.9

