



US00D911897S

(12) **United States Design Patent**
Zhang et al.

(10) **Patent No.:** **US D911,897 S**

(45) **Date of Patent:** **** Mar. 2, 2021**

(54) **TAIL PIPE**

(71) Applicant: **Ford Global Technologies, LLC**,
Dearborn, MI (US)

(72) Inventors: **Yahong Zhang**, Canton, MI (US);
Erich J. Nowka, Ann Arbor, MI (US);
Eric Hupfel, Harrison Township, MI
(US); **Elisangela Po Previte**, Wolverine
Lake, MI (US); **Ian McLaughlin**,
Bloomfield Hills, MI (US)

(73) Assignee: **Ford Global Technologies, LLC**,
Dearborn, MI (US)

(**) Term: **15 Years**

(21) Appl. No.: **29/693,082**

(22) Filed: **May 30, 2019**

(51) **LOC (13) Cl.** **12-16**

(52) **U.S. Cl.**
USPC **D12/194**

(58) **Field of Classification Search**
USPC D12/194; D15/5
CPC F01N 13/082; F01N 13/1805; F01N 13/20
See application file for complete search history.

(56) **References Cited**

U.S. PATENT DOCUMENTS

D160,534 S * 10/1950 Postelnek D12/194
D165,985 S * 2/1952 Koonter D12/194

D559,753 S * 1/2008 Pfeiffer D12/194
D737,745 S * 9/2015 Kamiura D12/194
9,328,648 B2 5/2016 Nowka et al.
9,346,350 B2 5/2016 Nowka et al.
9,536,040 B2 1/2017 Zhang et al.
D787,400 S * 5/2017 Wolff D12/194

* cited by examiner

Primary Examiner — Michael A. Pratt

(74) *Attorney, Agent, or Firm* — Geoffrey Brumbaugh;
McCoy Russell LLP

(57) **CLAIM**

An ornamental design for a tail pipe, as shown and
described.

DESCRIPTION

FIG. 1 is a front view of a tail pipe according to the present
invention.

FIG. 2 is a rear view of the tail pipe of FIG. 1.

FIG. 3 is a top view of the tail pipe of FIG. 1.

FIG. 4 is a bottom view of the tail pipe of FIG. 1.

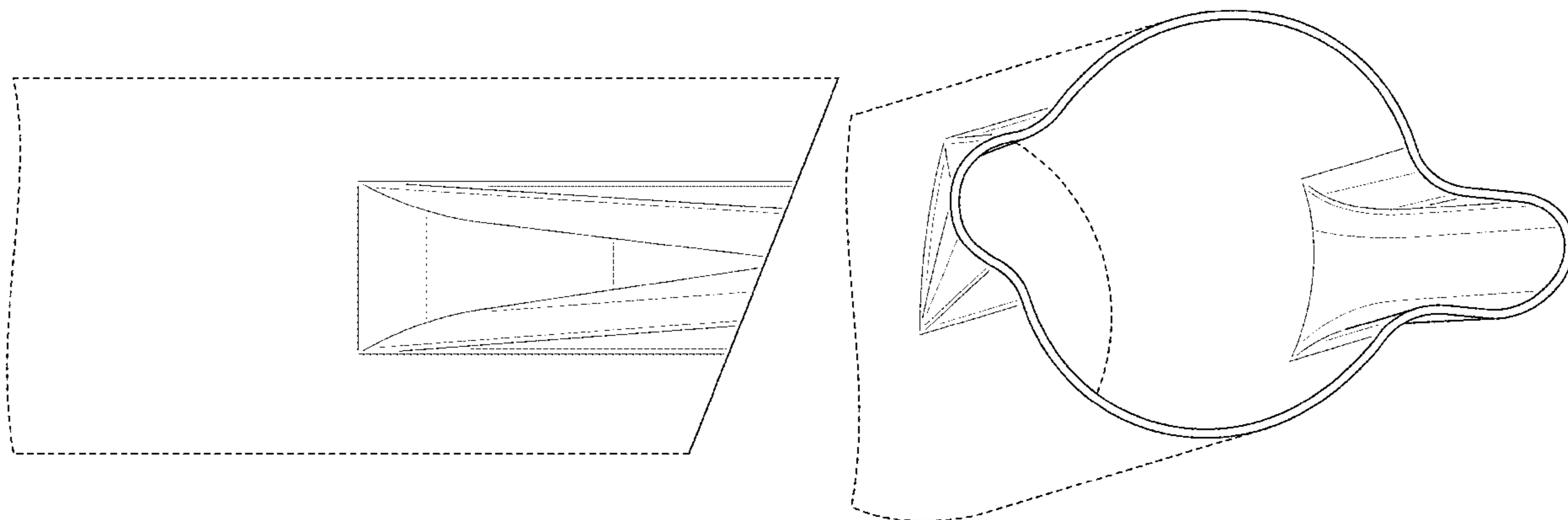
FIG. 5 is a right side of the tail pipe of FIG. 1.

FIG. 6 is a left side view of the tail pipe of FIG. 1; and,

FIG. 7 is a perspective view of the tail pipe of FIG. 1.

The broken lines in FIGS. 2-7 illustrate portions of the
ornamental design for a tail pipe that form no part of the
claimed design. The break lines in FIGS. 3-4 are to indicate
that the appearance of any portion of the tail pipe between
the break lines forms no part of the claimed design.

1 Claim, 7 Drawing Sheets



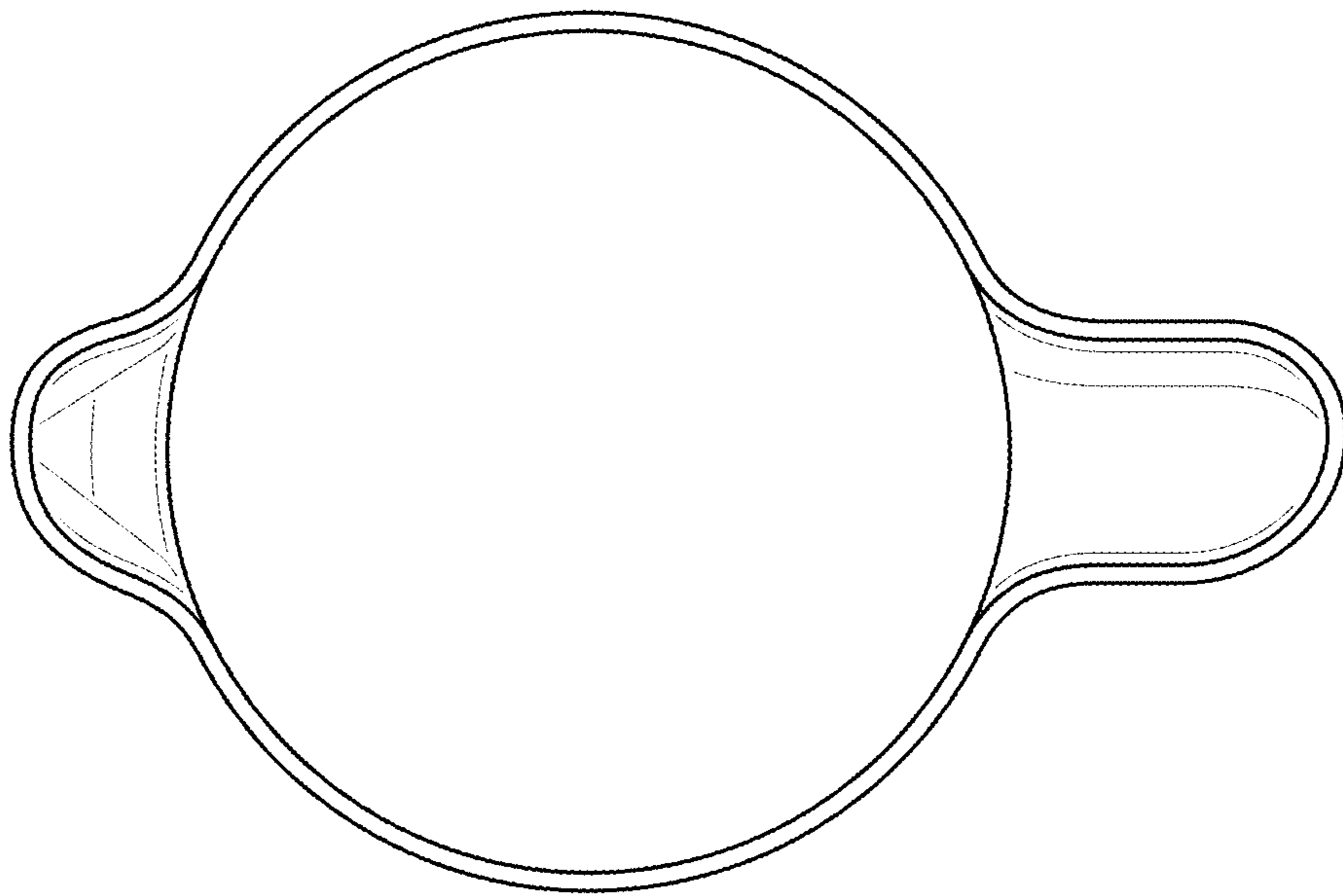


FIG. 1

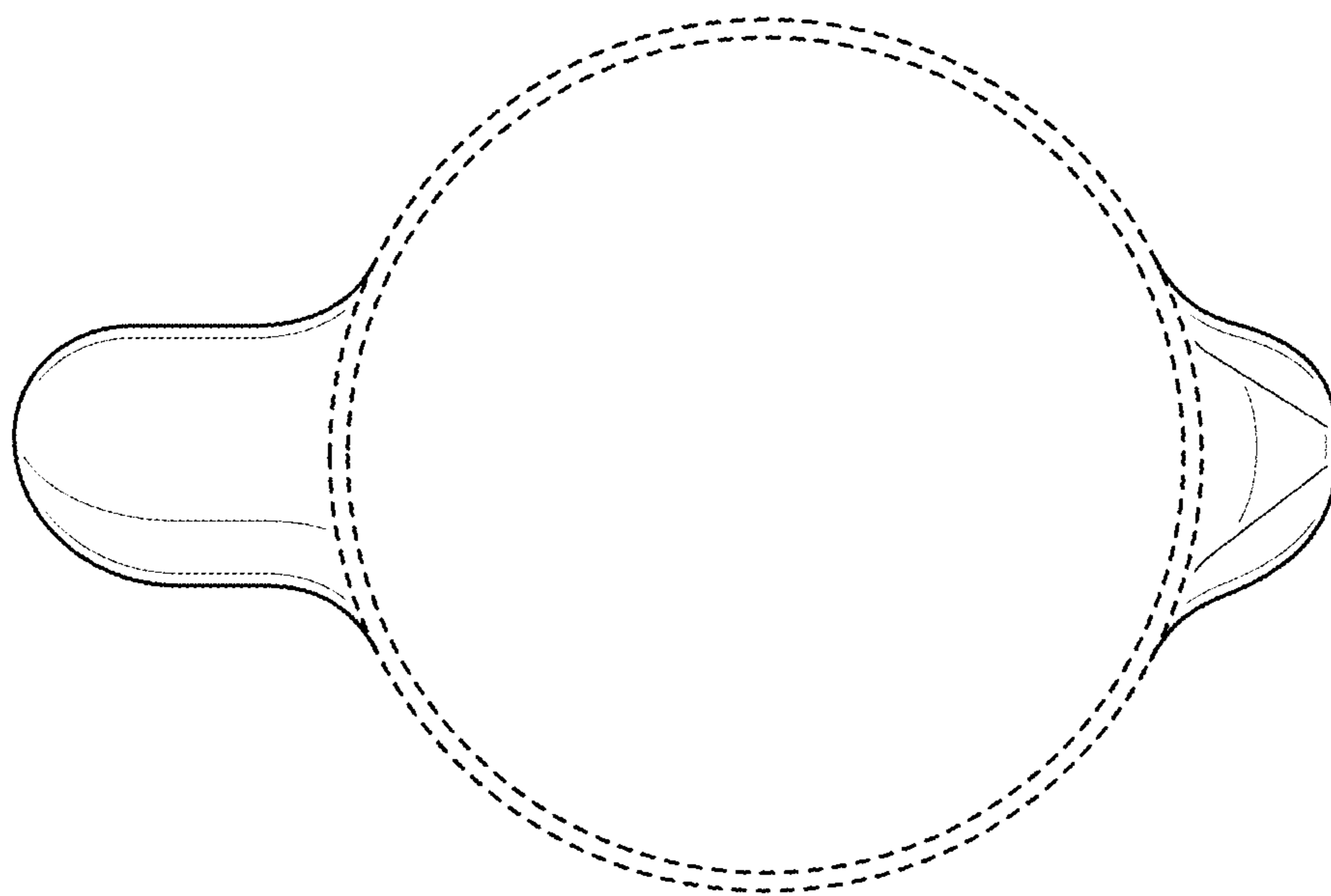


FIG. 2

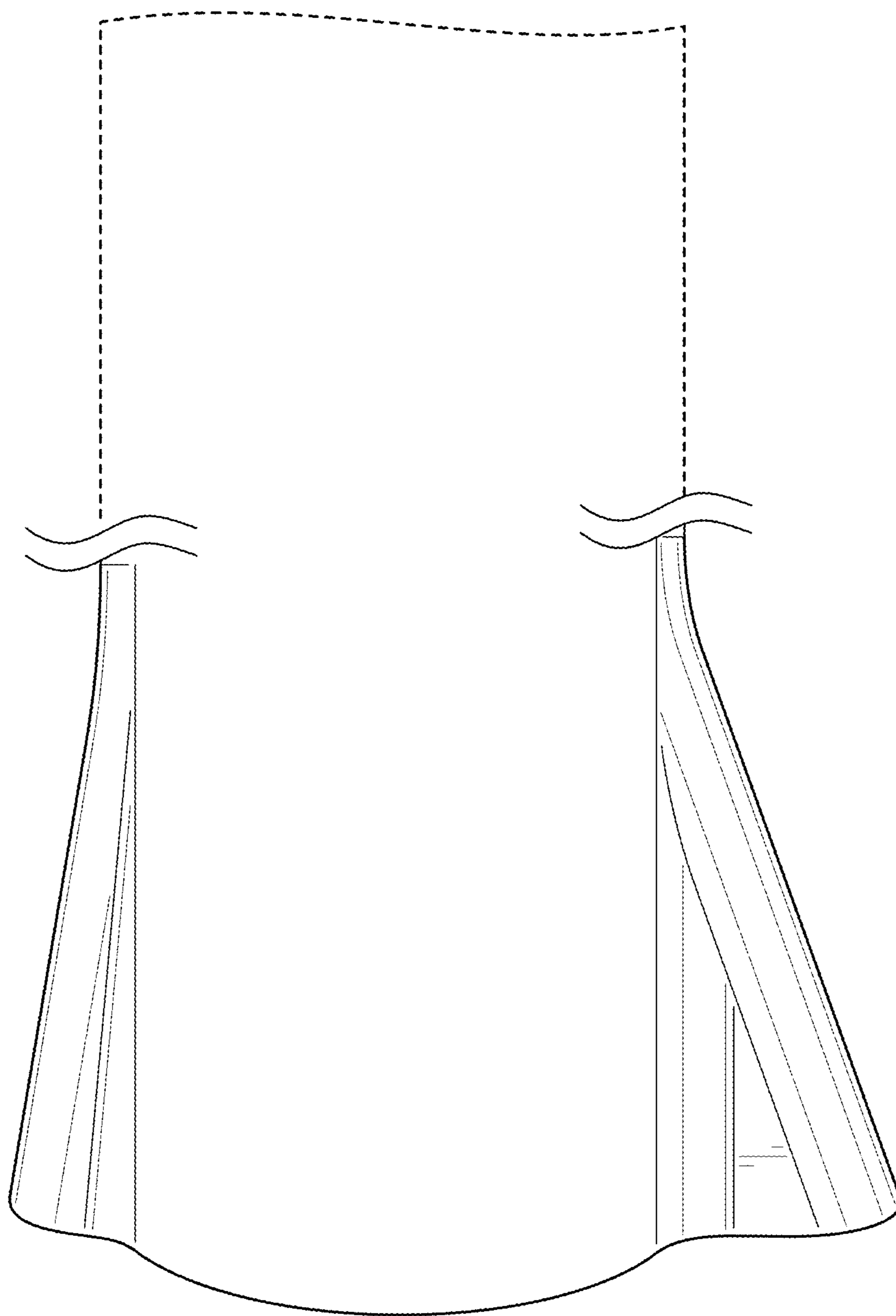


FIG. 3

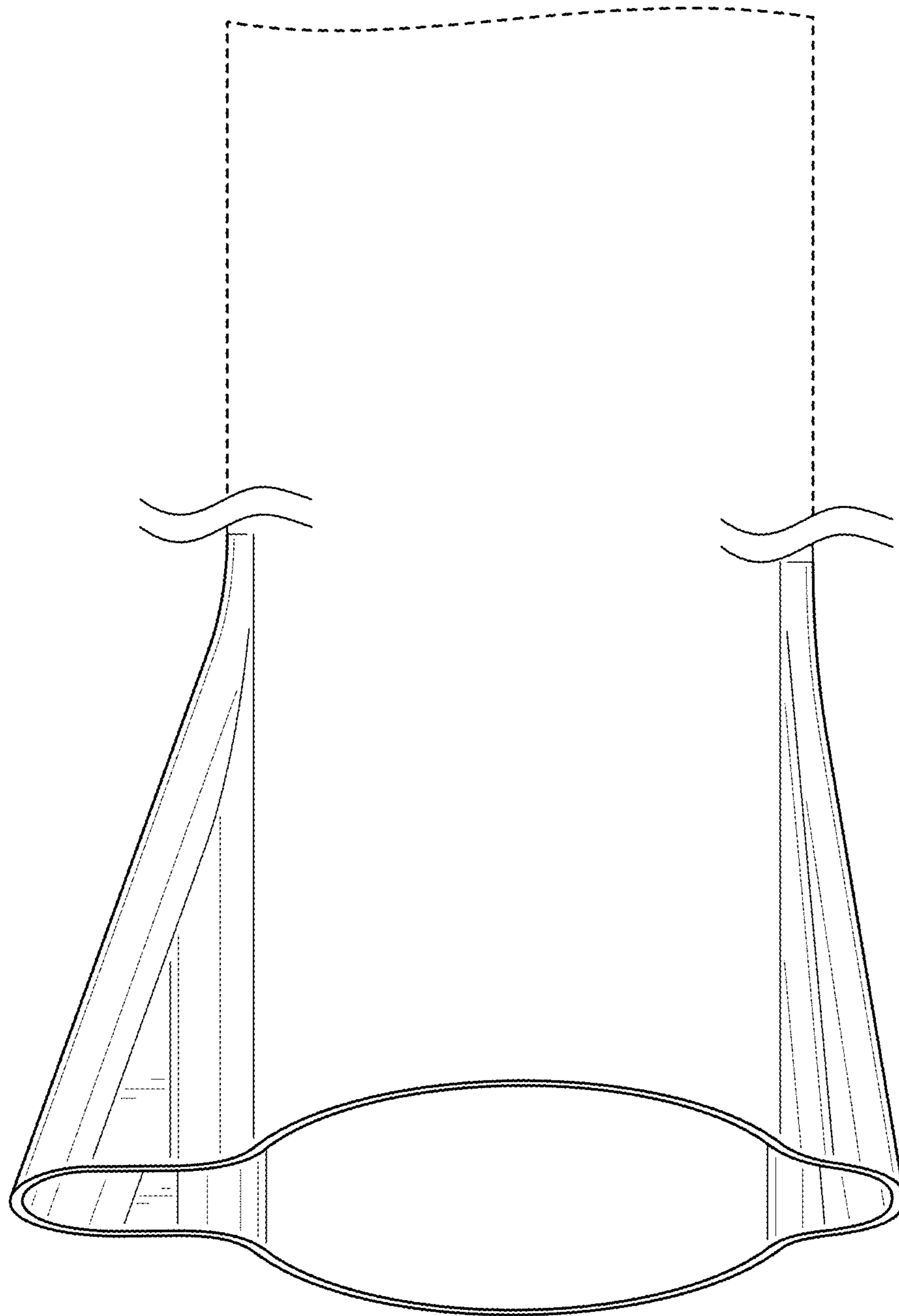


FIG. 4

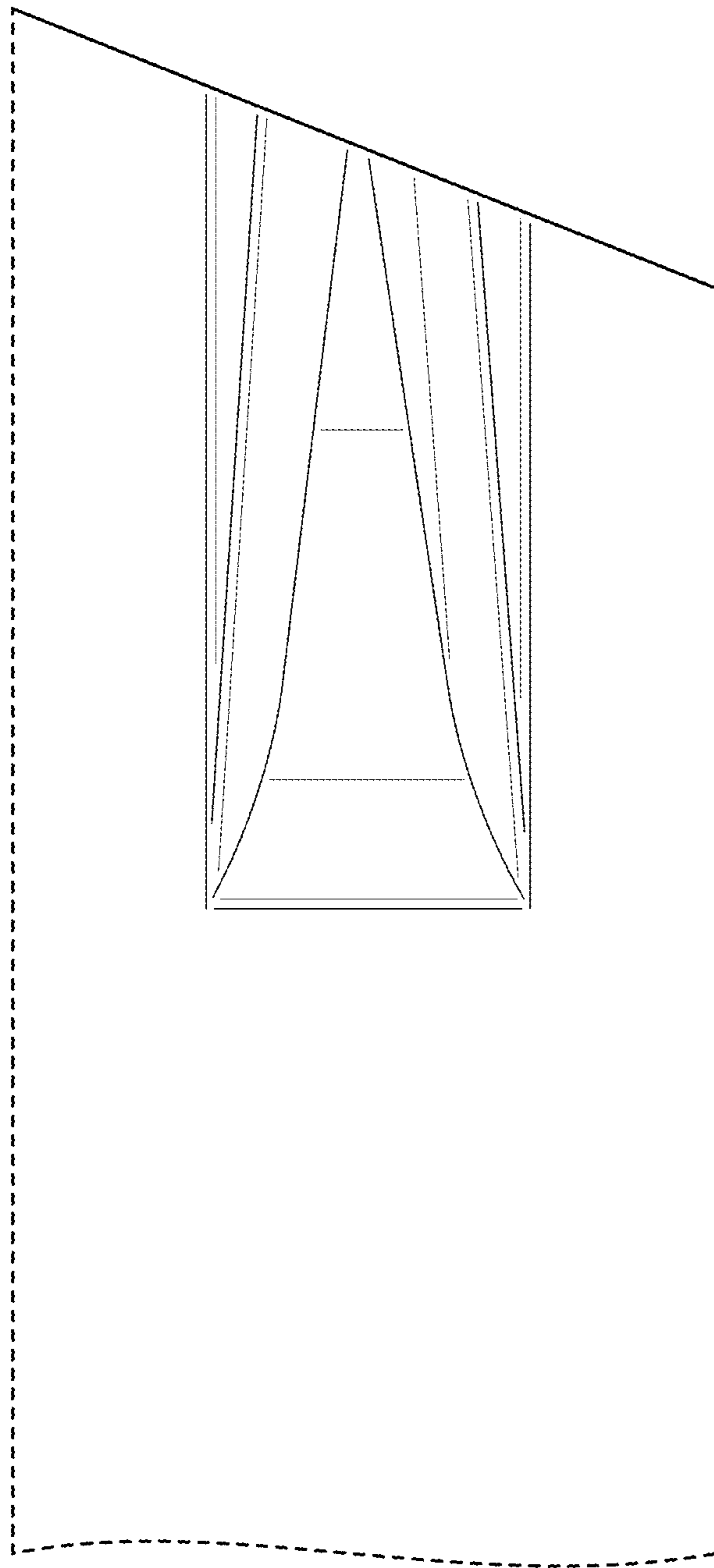


FIG. 5

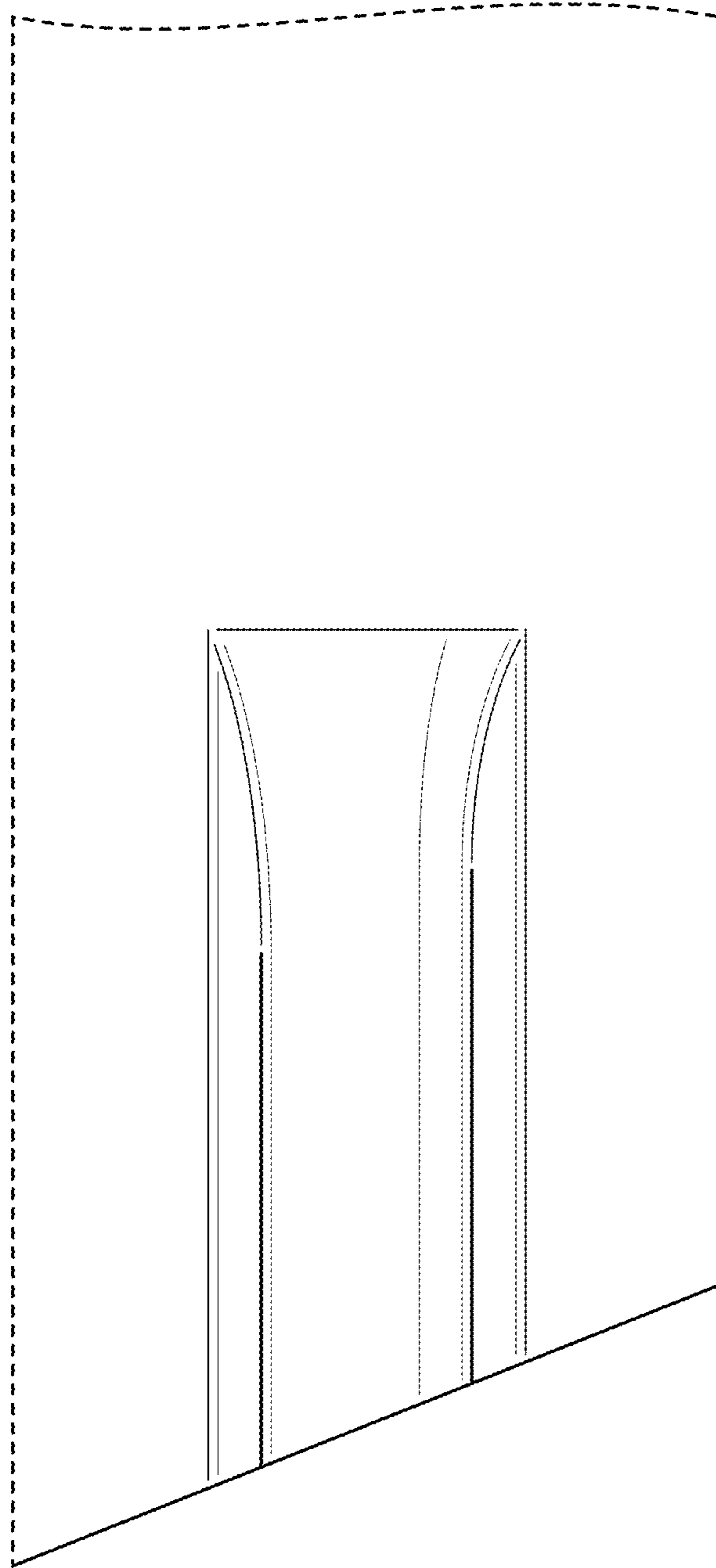


FIG. 6

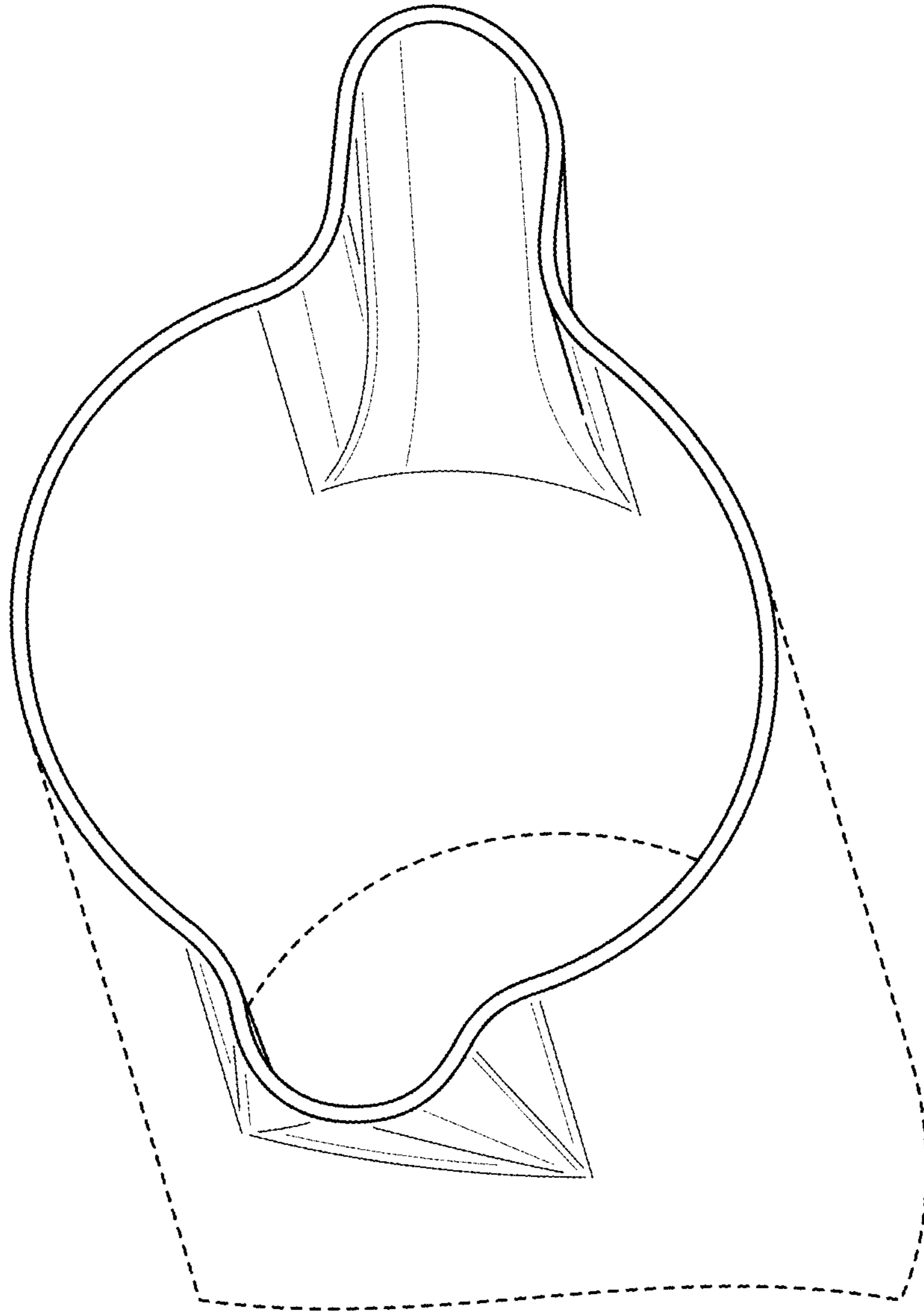


FIG. 7