



US00D911896S

(12) **United States Design Patent** (10) **Patent No.:** **US D911,896 S**
Spencer et al. (45) **Date of Patent:** **** *Mar. 2, 2021**

(54) **VEHICLE MUD FLAP EXHAUST OUTLET**
(71) Applicant: **Cruiser Accessories, LLC**, Monument, CO (US)
(72) Inventors: **Todd R. Spencer**, Monument, CO (US); **Neil R. Skelly**, Princeton, MN (US)
(73) Assignee: **Cruiser Accessories, LLC**, Monument, CO (US)

D723,144 S * 2/2015 Rejkowski D23/324
D767,456 S * 9/2016 Finnie D12/194
D814,442 S * 4/2018 Ye D14/216
D857,572 S * 8/2019 Spencer D12/185
10,392,989 B1 * 8/2019 Tucker B01D 53/9418
D868,032 S * 11/2019 Wen D14/216
D868,112 S * 11/2019 Tsuji D15/5

(Continued)

(*) Notice: This patent is subject to a terminal disclaimer.
(**) Term: **15 Years**

(21) Appl. No.: **29/634,704**
(22) Filed: **Jan. 24, 2018**
(51) **LOC (13) Cl.** **12-16**
(52) **U.S. Cl.**
USPC **D12/194**
(58) **Field of Classification Search**
USPC D12/185, 190, 194-199; D14/216; D23/324
CPC B60K 13/04; B60K 13/06; B60K 11/08; B60K 11/085
See application file for complete search history.

(56) **References Cited**

U.S. PATENT DOCUMENTS

5,183,130 A * 2/1993 Nakamura B60K 13/06 180/219
D362,442 S * 9/1995 Goldfarb D14/215
D424,492 S * 5/2000 Bryant D12/194
6,866,318 B1 * 3/2005 Stevenson B60N 3/102 165/41
D506,819 S * 6/2005 Stobart D23/370
D534,111 S * 12/2006 Wannamaker D12/194
D535,732 S * 1/2007 Klopp, III D12/195
D545,743 S * 7/2007 Pacini D12/194
D721,060 S * 1/2015 Komagamine D14/216

OTHER PUBLICATIONS

Rock Tamers Releases Mudflap with Exhaust Outlet, posted at RV Pro, posting date Jun. 27, 2018. Site visited Oct. 9, 2019. URL: <<https://rv-pro.com/news/rock-tamers-releases-mudflap-exhaust-outlet>> (Year: 2018).*

(Continued)

Primary Examiner — Kevin K Rudzinski
Assistant Examiner — Kathleen L Jones
(74) *Attorney, Agent, or Firm* — Linda Flewellen Gould

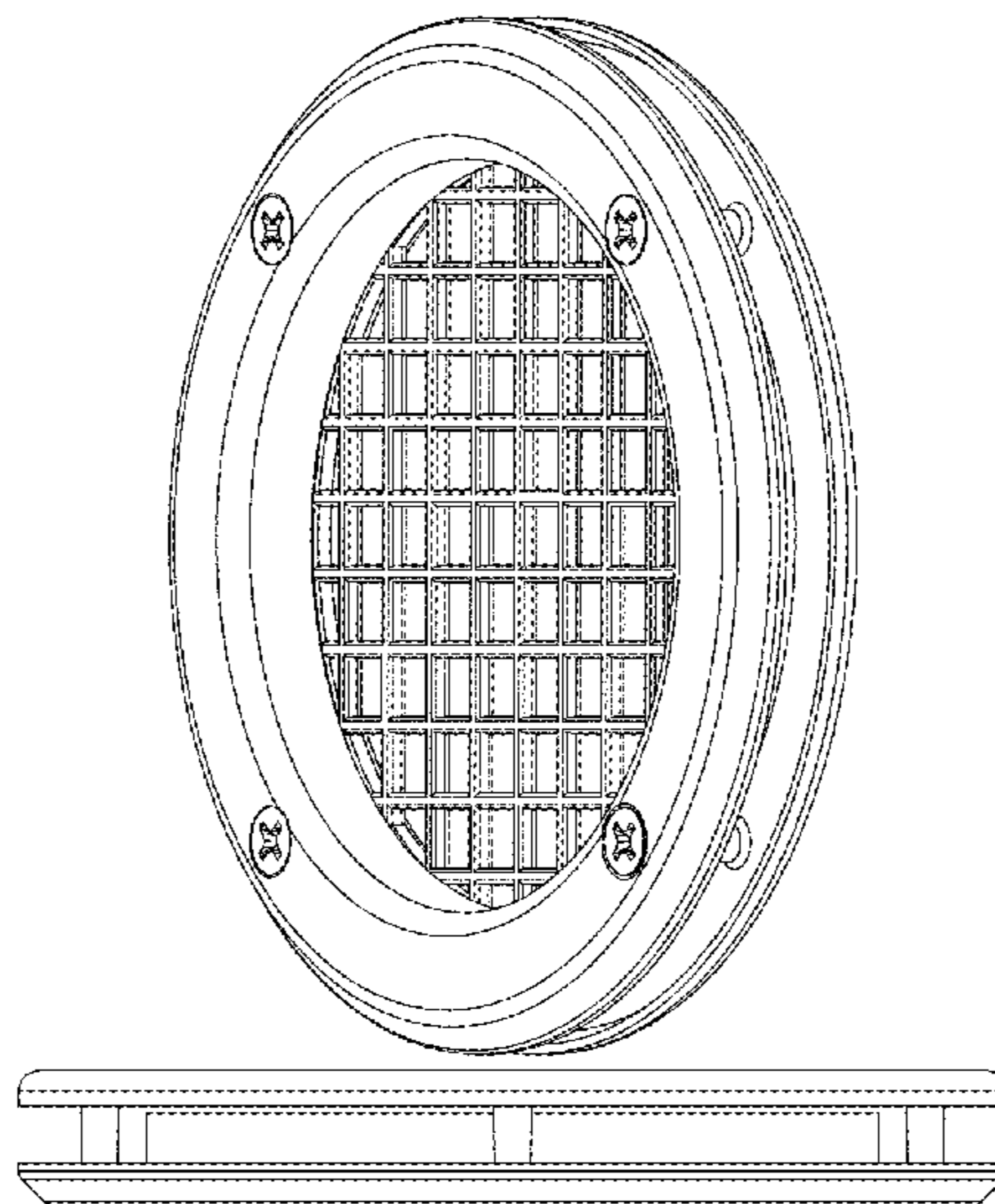
(57) **CLAIM**

The ornamental design for a vehicle mud flap exhaust outlet, as shown and described.

DESCRIPTION

FIG. 1 is a front side perspective view showing our new design for a vehicle mud flap exhaust outlet.
FIG. 2 is a front view thereof.
FIG. 3 is a back view thereof.
FIG. 4 is a top view thereof.
FIG. 5 is a bottom view thereof.
FIG. 6 is a right side view thereof.
FIG. 7 is a left side view thereof.
FIG. 8 is an exploded perspective view thereof; and,
FIG. 9 is a front perspective view thereof showing the vehicle mud flap exhaust outlet mounted on a mud flap. The mud flap and hardware mounting the mud flap to a vehicle is shown in broken lines and does not form a part of the claimed design.

1 Claim, 4 Drawing Sheets



(56)

References Cited

U.S. PATENT DOCUMENTS

2011/0120085 A1* 5/2011 Saito F01N 3/0211
60/272
2017/0304763 A1* 10/2017 Nelson B01D 46/543
2018/0194218 A1* 7/2018 Motoyama F01N 13/14

OTHER PUBLICATIONS

Round Lattice Grille, posted at Seiho, posting date Mar. 14, 2017.
Site visited Oct. 9, 2019. URL: <<http://web.archive.org/web/20170314021346/https://seiho.com/product/ec/ec.html>> (Year: 2017).*

2" Round Open Screen Aluminum Louver with 1/8" Galvanized Steel Screen, posted at VentMyHouse, review posted Jun. 23, 2013.
Site visited Oct. 9, 2019. URL: <<https://www.ventmyhouse.com/2-round-open-screen-aluminum-louver-with-1-8-galvanized-steel-screen-priced-per-bag-of-6-item-2-rs-108/>> (Year: 2013).*

* cited by examiner

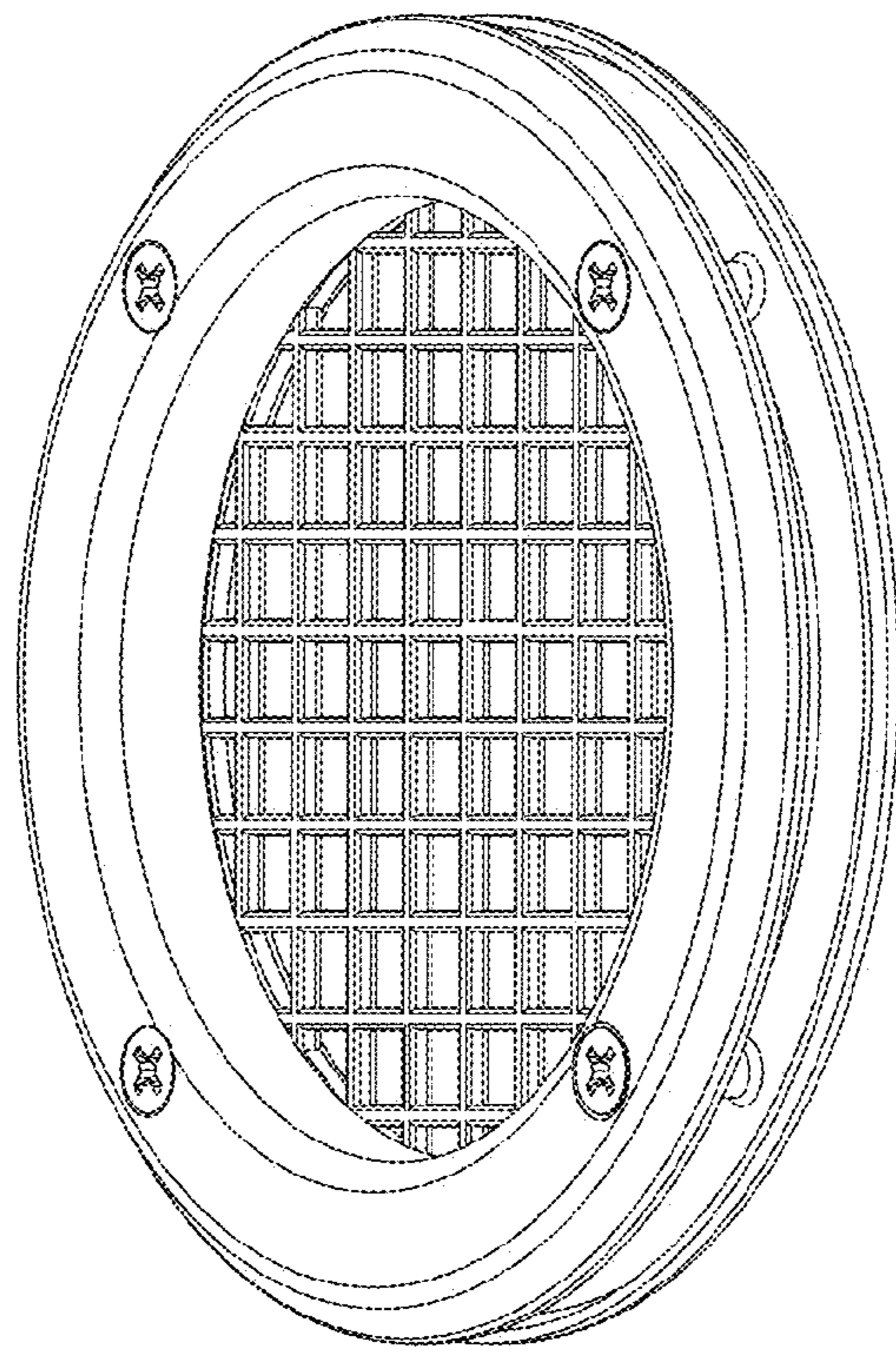


Fig. 1

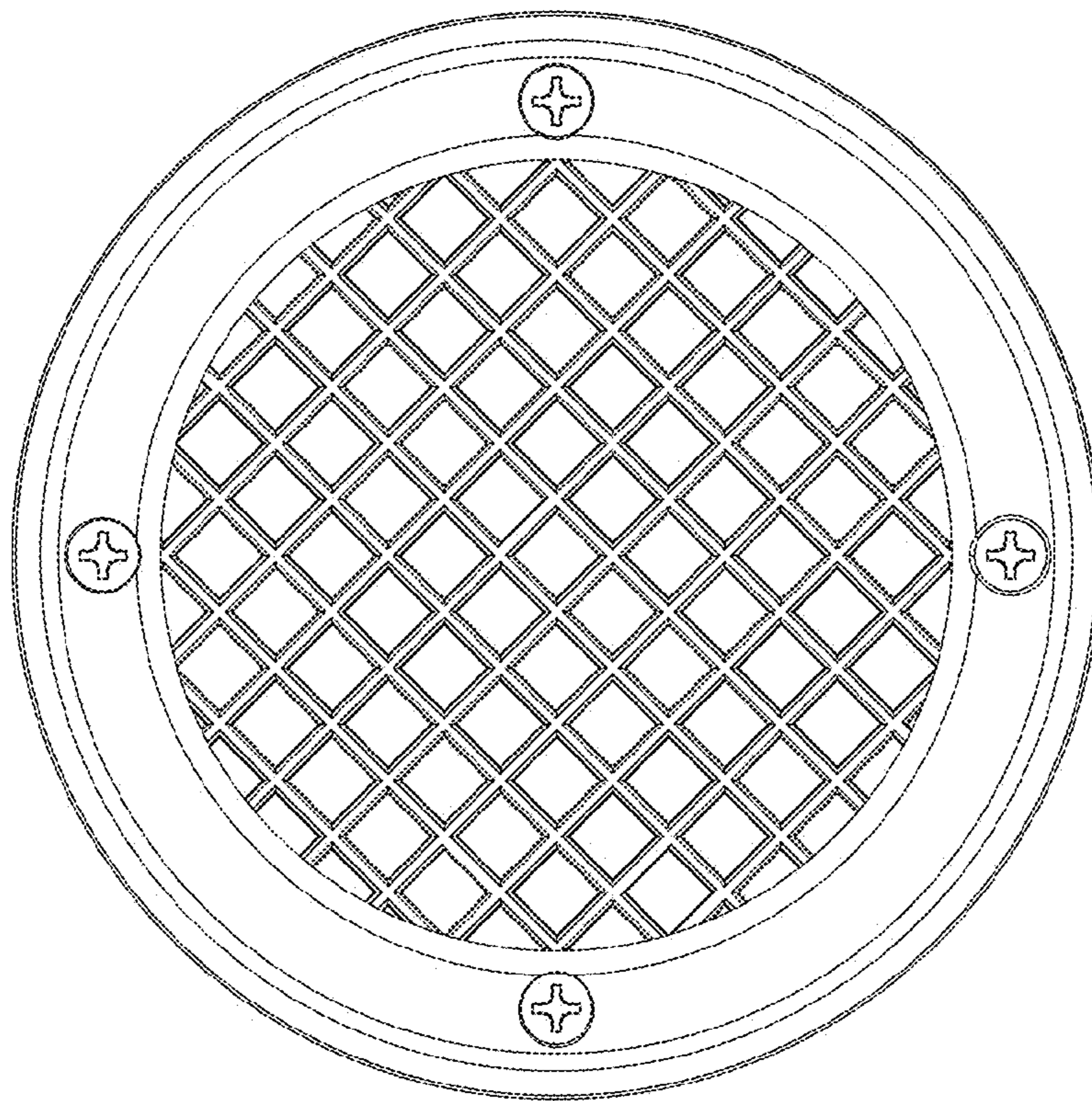


Fig. 2

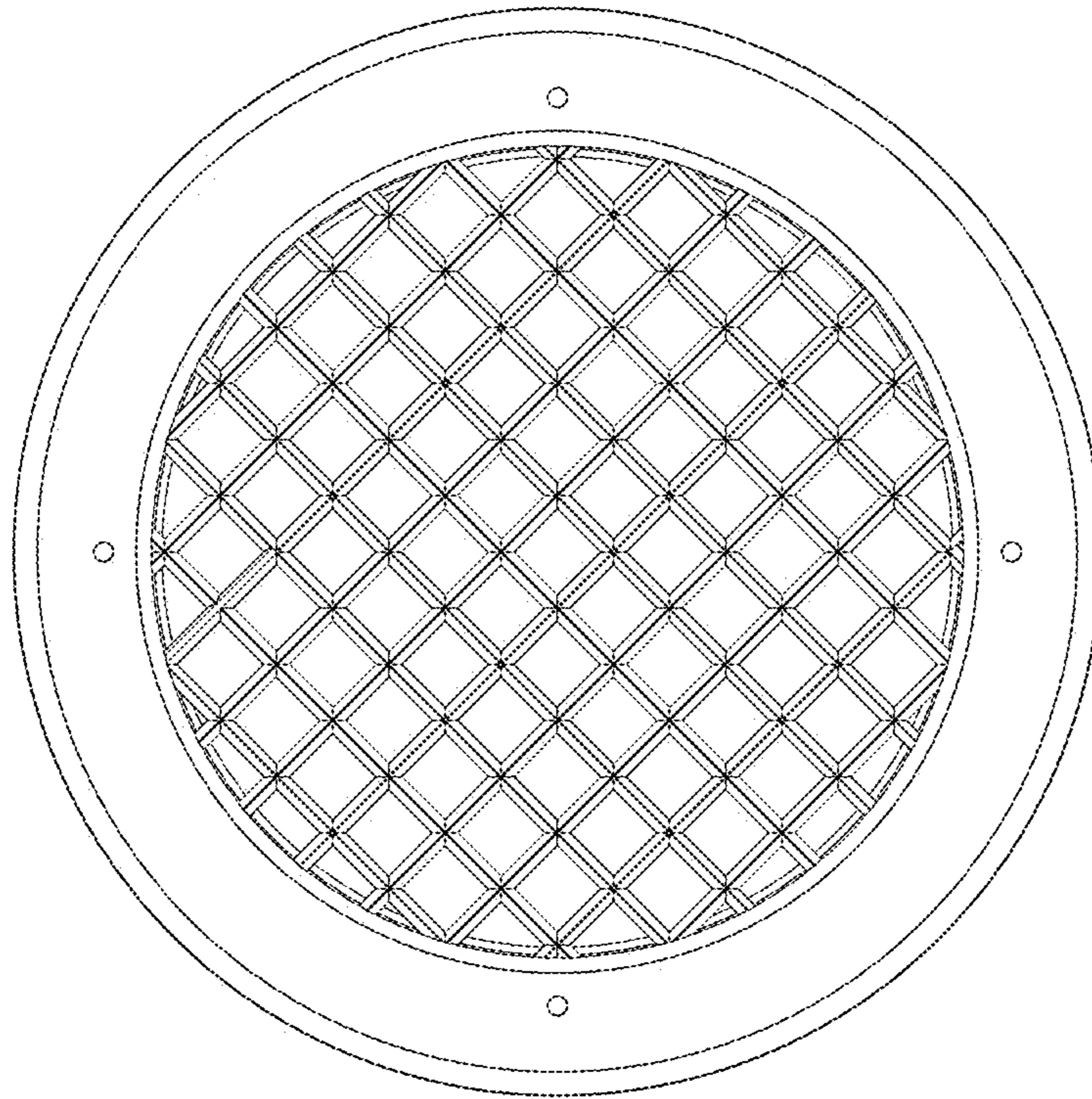


Fig. 3

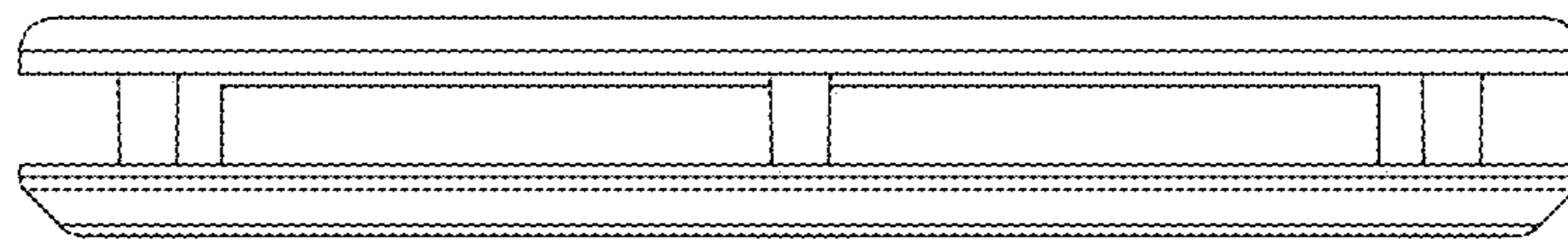


Fig. 4

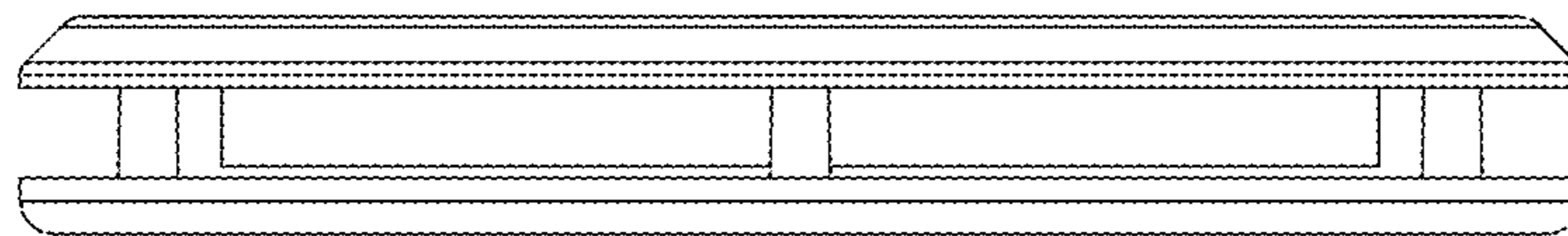


Fig. 5

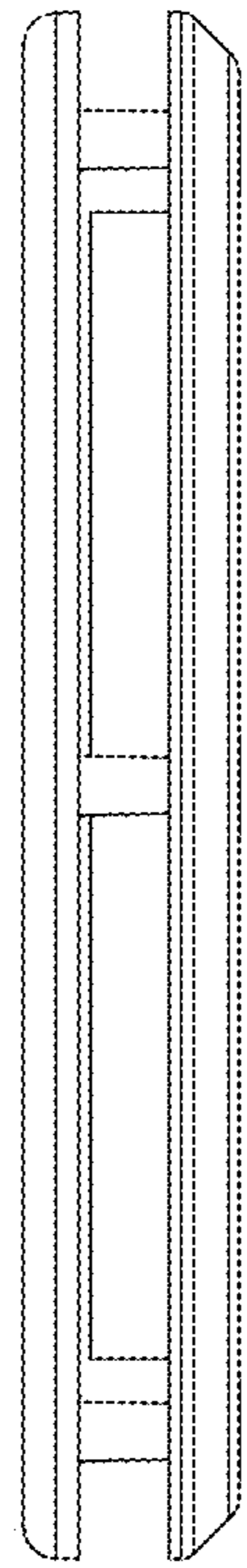


Fig. 6

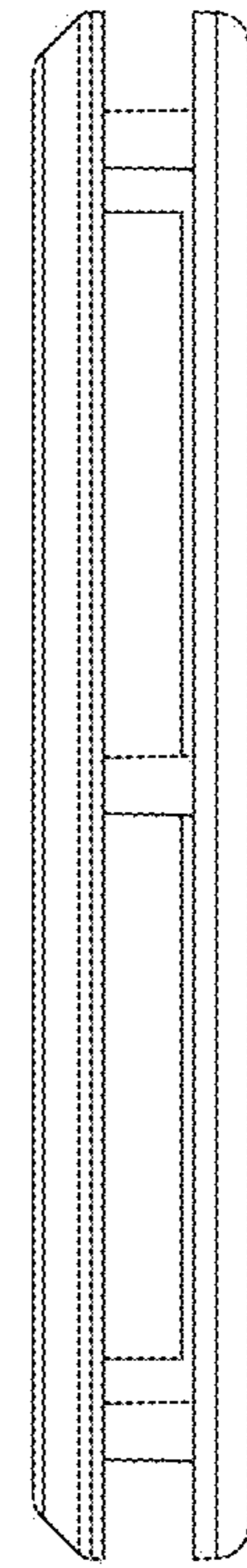


Fig. 7

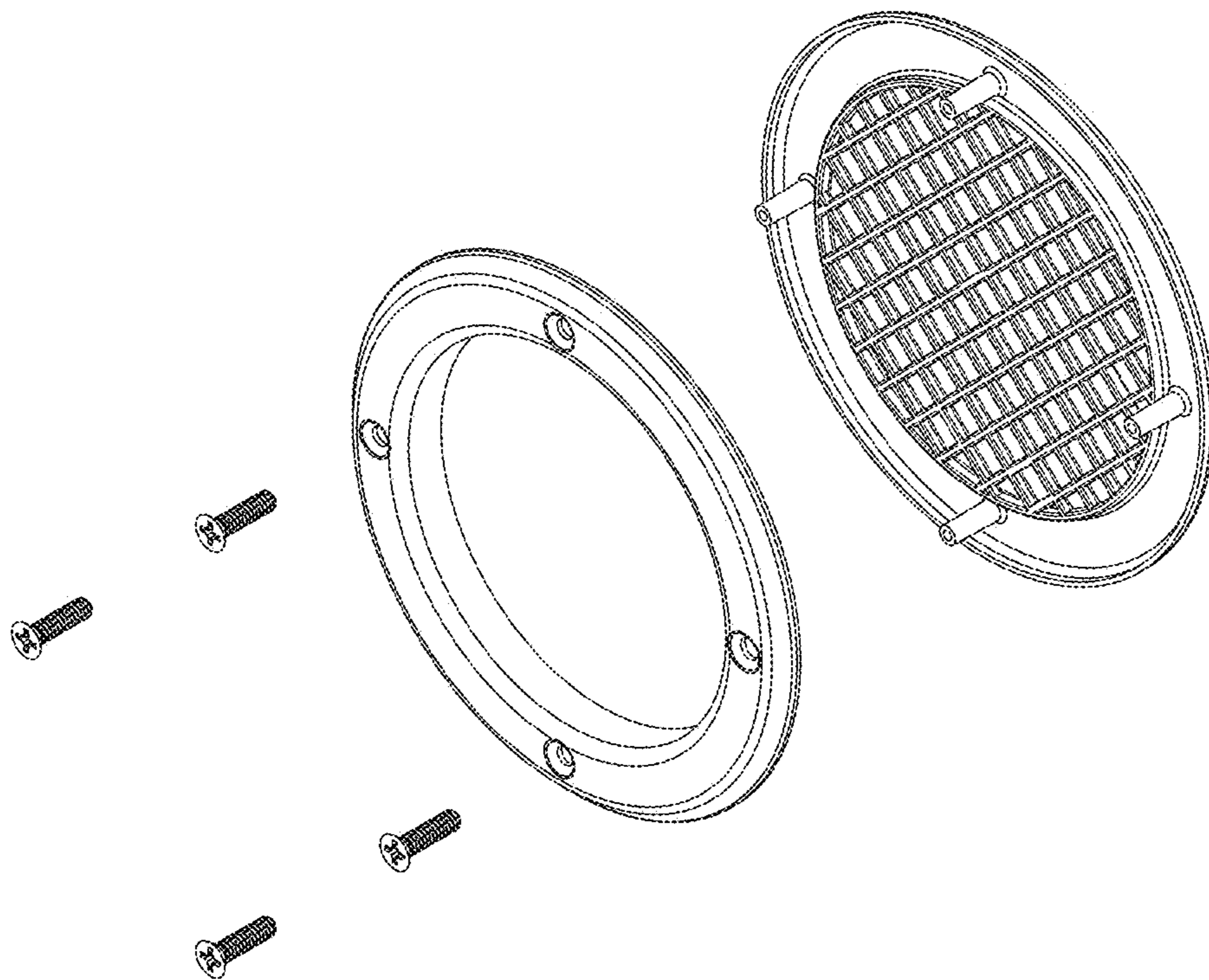


Fig. 8

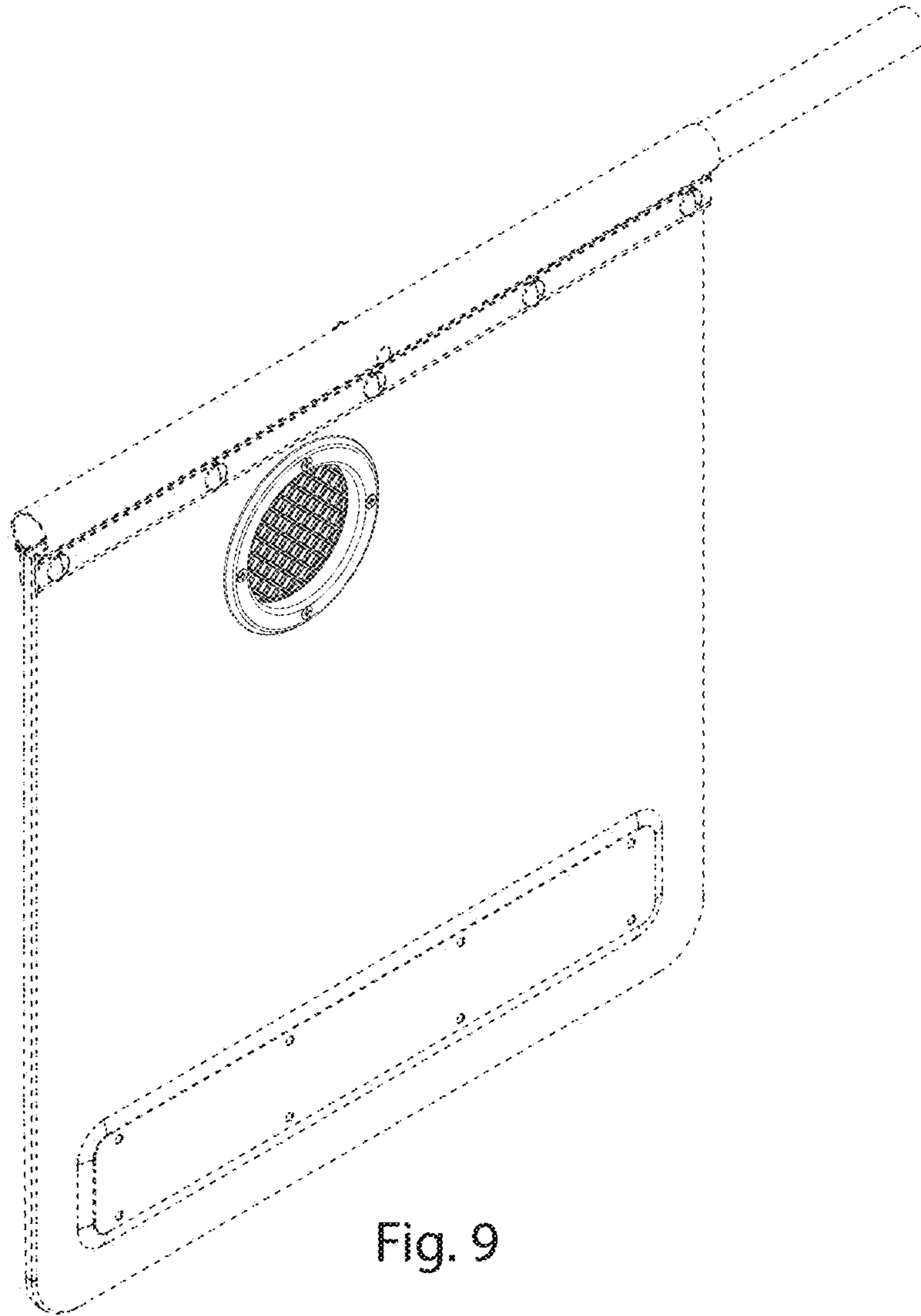


Fig. 9