



US00D911895S

(12) **United States Design Patent**
Baker

(10) **Patent No.:** **US D911,895 S**

(45) **Date of Patent:** **** Mar. 2, 2021**

- (54) **ILLUMINATED LICENSE PLATE**
- (71) Applicant: **Monsour Baker**, Orlando, FL (US)
- (72) Inventor: **Monsour Baker**, Orlando, FL (US)
- (**) Term: **15 Years**
- (21) Appl. No.: **29/712,163**
- (22) Filed: **Nov. 6, 2019**

Related U.S. Application Data

- (63) Continuation of application No. 15/061,207, filed on Mar. 4, 2016, now Pat. No. 10,562,444, which is a continuation of application No. 13/917,635, filed on Jun. 13, 2013, now Pat. No. 9,283,889, which is a continuation-in-part of application No. 13/657,641, filed on Oct. 22, 2012, now abandoned.

(51) **LOC (13) Cl.** **12-16**

(52) **U.S. Cl.**
USPC **D12/193**

(58) **Field of Classification Search**
USPC D12/193; D6/300, 301, 302, 310, 311,
D6/312, 313, 314; D20/13
CPC B60R 13/10; B60R 13/105; B60R 19/24;
B60R 19/52
See application file for complete search history.

(56) **References Cited**

U.S. PATENT DOCUMENTS

- D335,117 S * 4/1993 Spencer D12/193
- D342,929 S * 1/1994 Spencer D12/193

- D346,578 S * 5/1994 Corey D12/193
- D359,262 S * 6/1995 Shusterman D12/193
- D377,926 S * 2/1997 Kheyfets D12/193
- D382,240 S * 8/1997 Francis D12/193
- D453,491 S * 2/2002 Schmitz D12/193
- D469,043 S * 1/2003 Ohm D12/193
- D566,025 S * 4/2008 Hu D12/193
- D566,026 S * 4/2008 Hu D12/193
- D824,828 S * 8/2018 Marksteiner D12/193
- D871,988 S * 1/2020 Wang D12/193

* cited by examiner

Primary Examiner — Natasha Vujcic

(74) *Attorney, Agent, or Firm* — Allen Dyer Doppelt & Gilchrist, PA

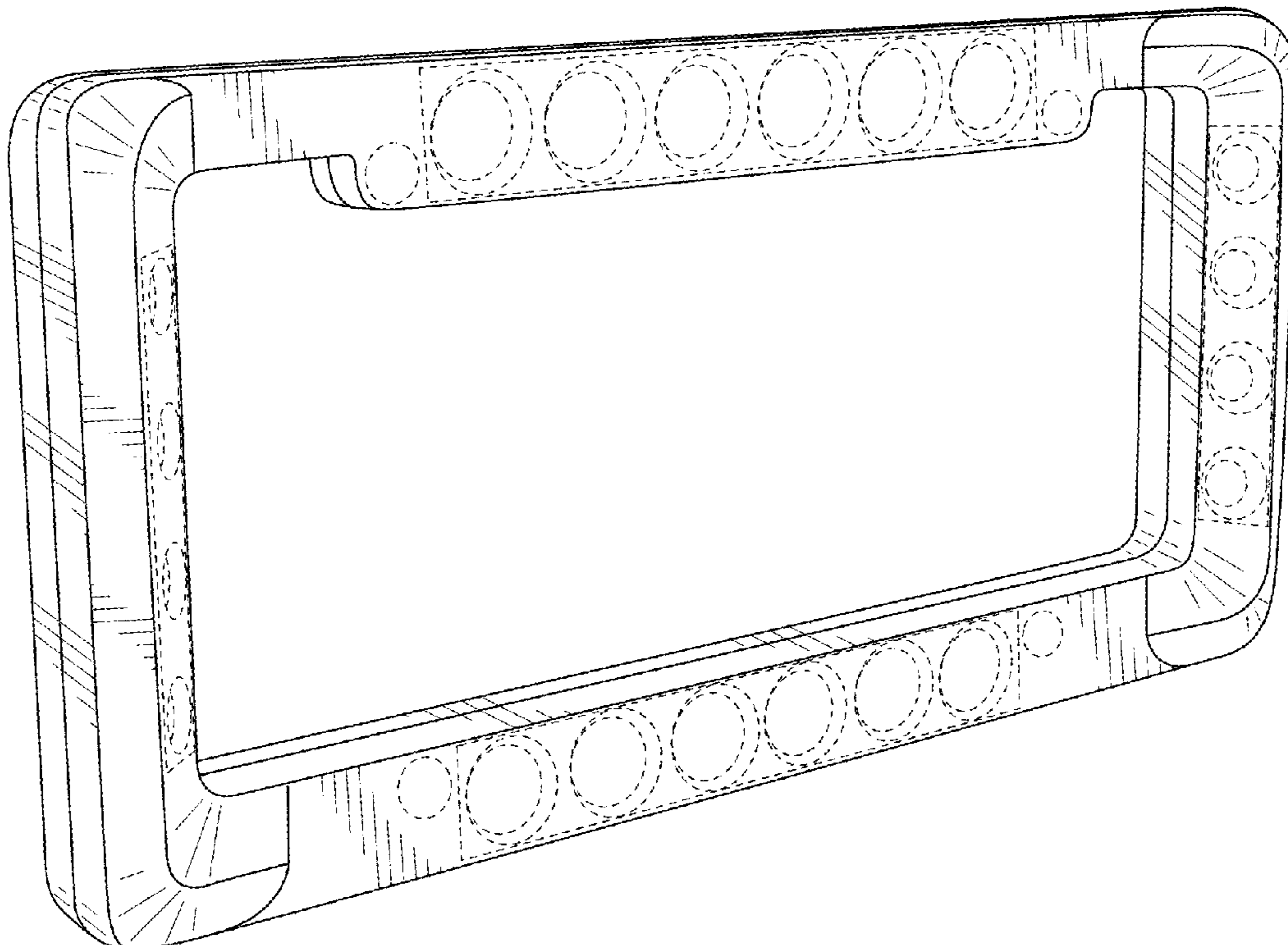
(57) **CLAIM**

The ornamental design for an illuminated license plate, as shown and described.

DESCRIPTION

FIG. 1 is a top, front, right perspective view of an illuminated license plate.
 FIG. 2 is a bottom, rear, left perspective view of the design;
 FIG. 3 is a front view of the design;
 FIG. 4 is a rear view of the design;
 FIG. 5 is a top view of the design;
 FIG. 6 is a bottom view of the design;
 FIG. 7 is right side view of the design; and,
 FIG. 8 is a left side view of the design.
 The broken lines in the drawings illustrate portions of the illuminated license plate which form no part of the claimed design.

1 Claim, 6 Drawing Sheets



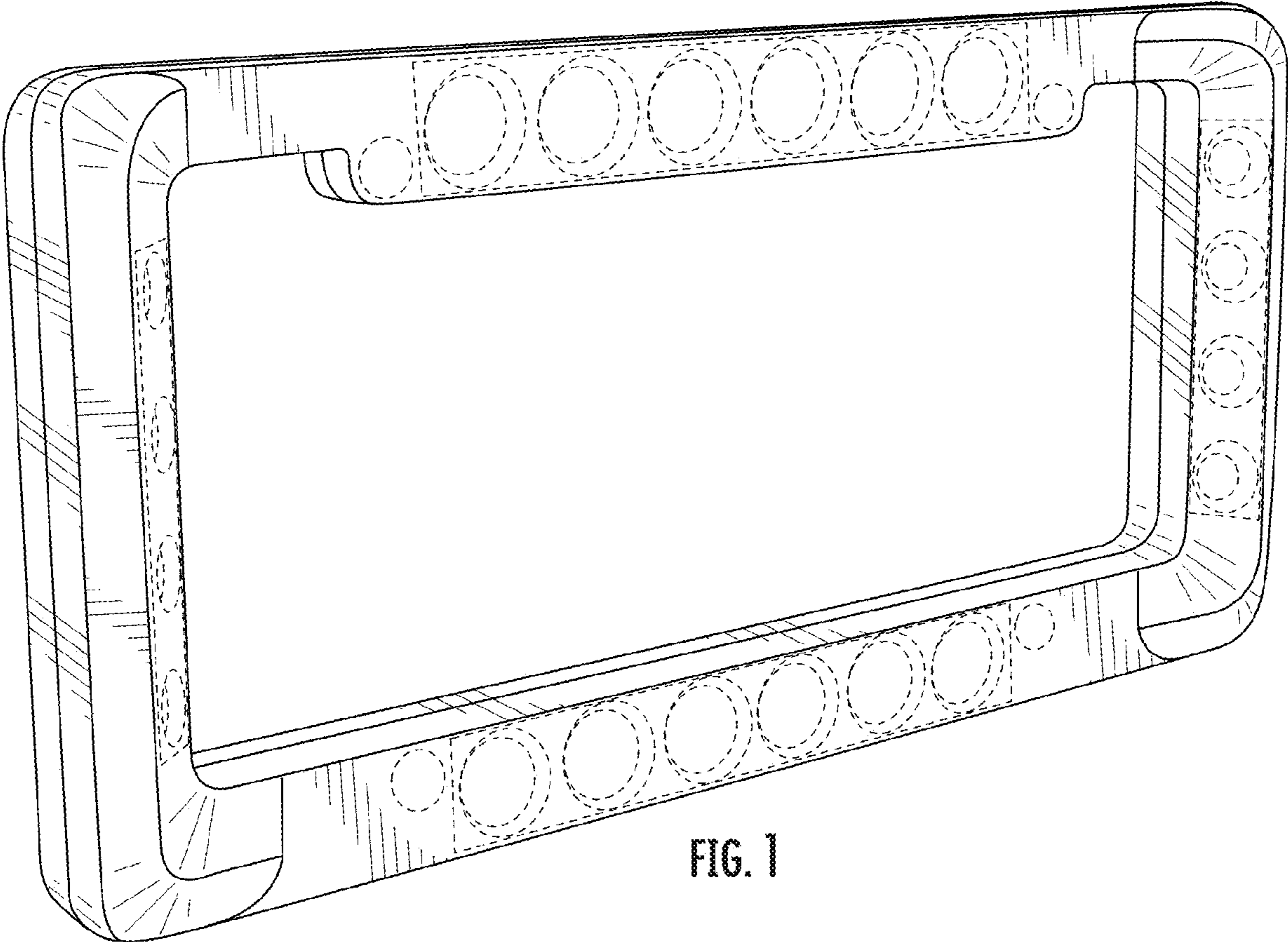


FIG. 1

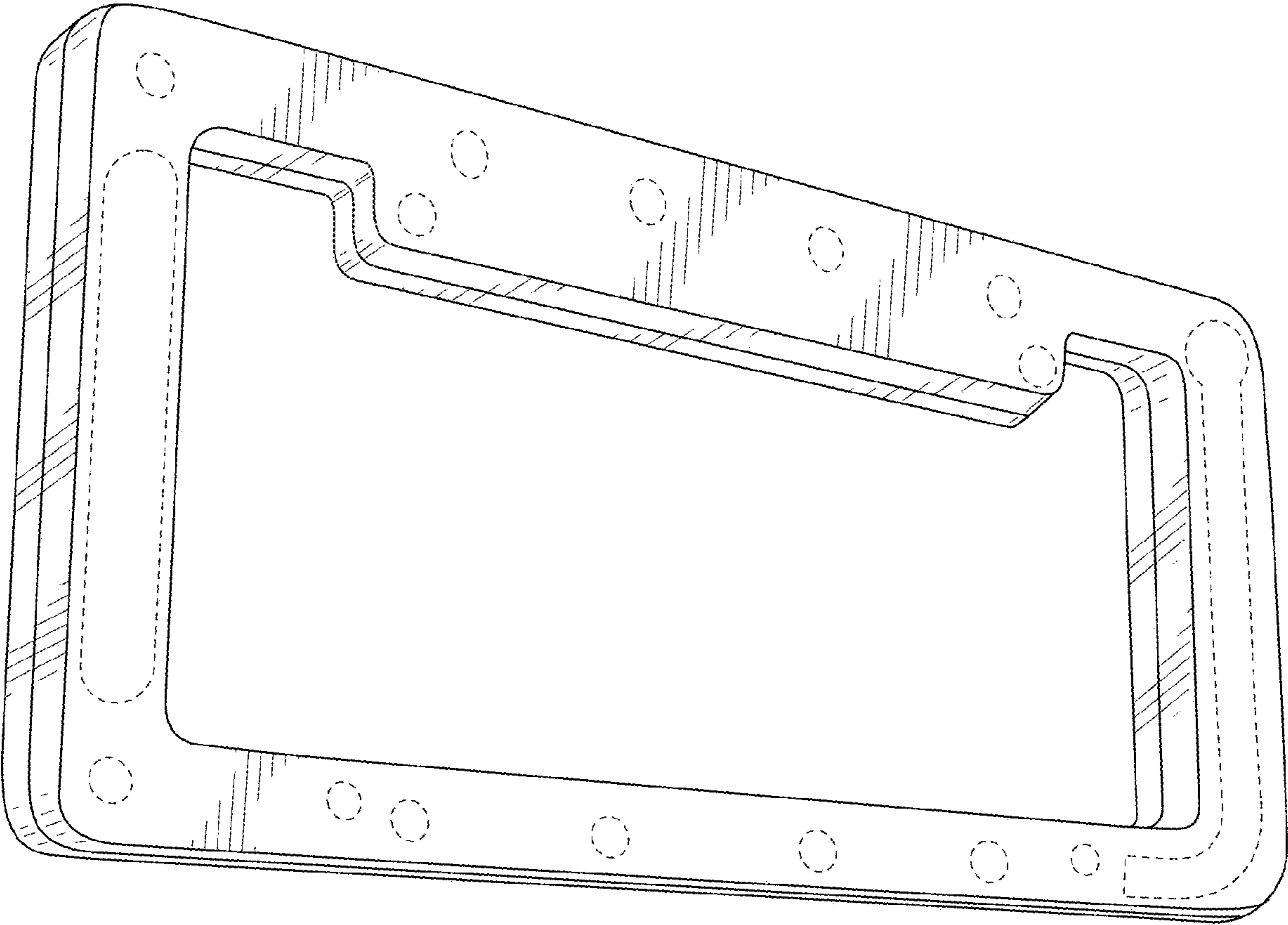


FIG. 2

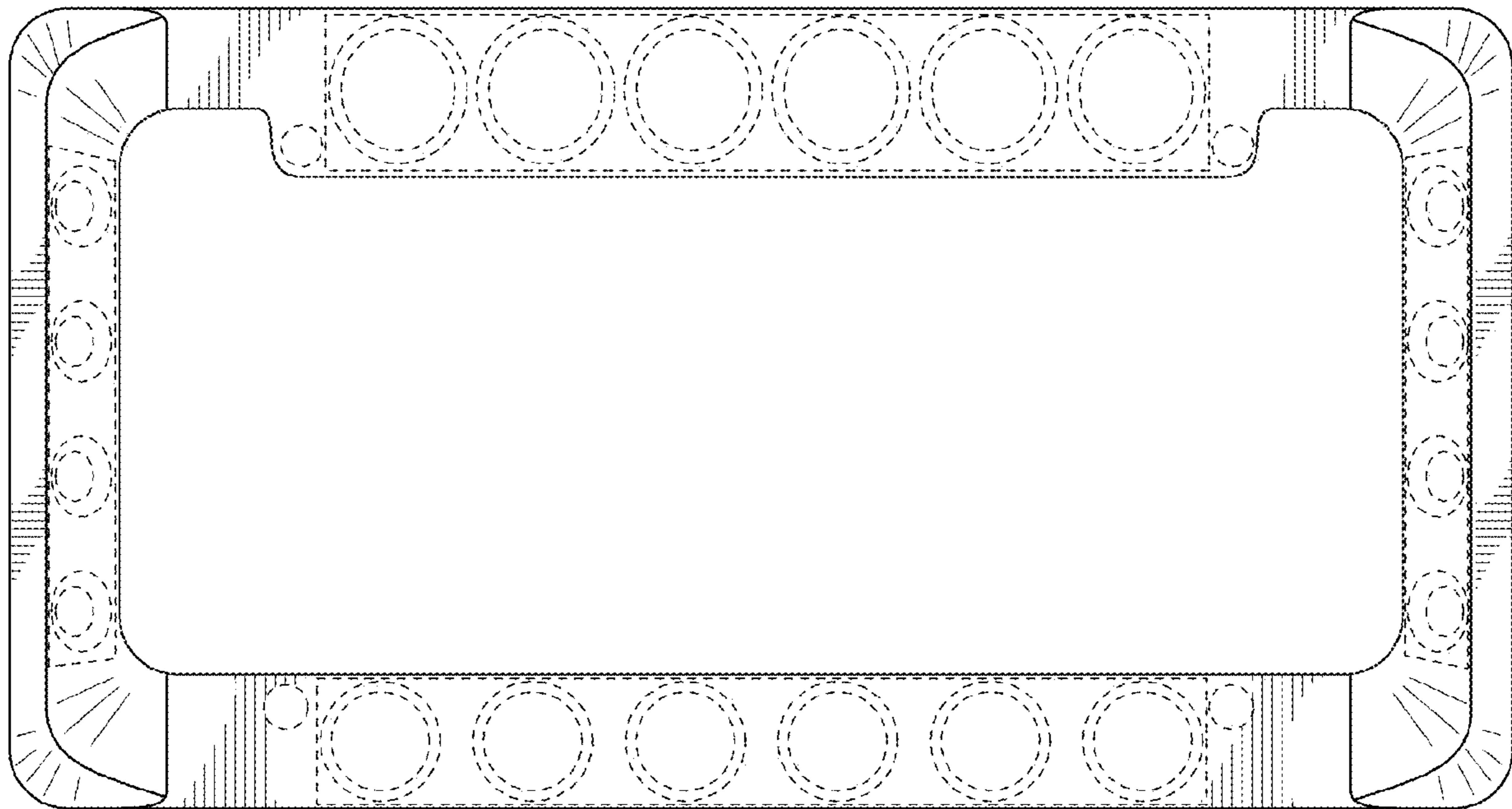


FIG. 3

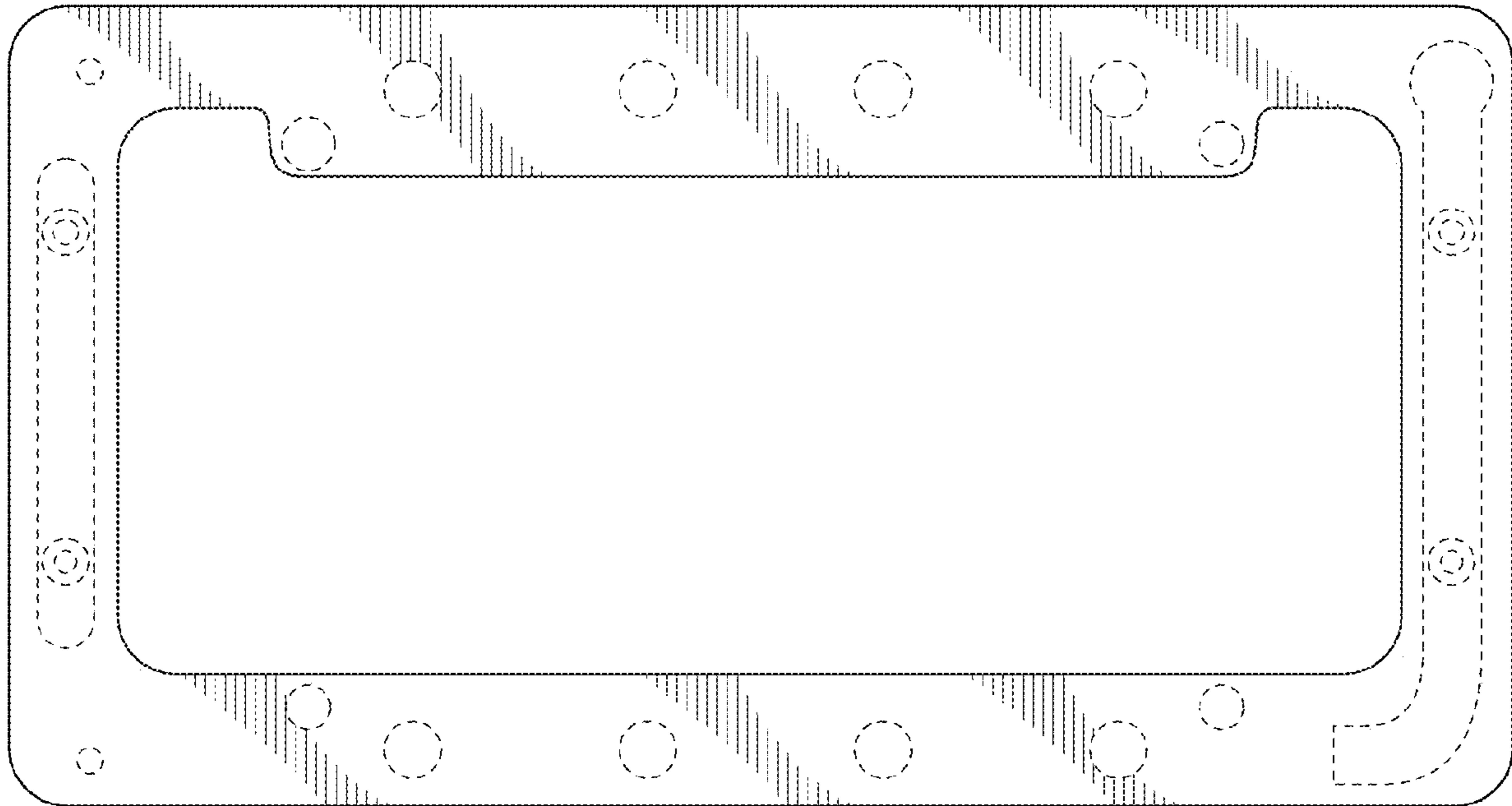


FIG. 4

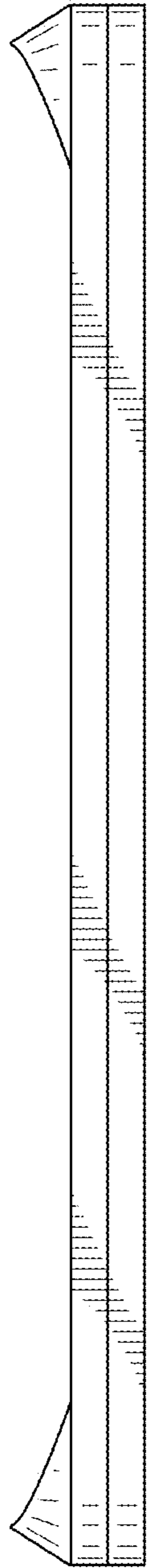


FIG. 5

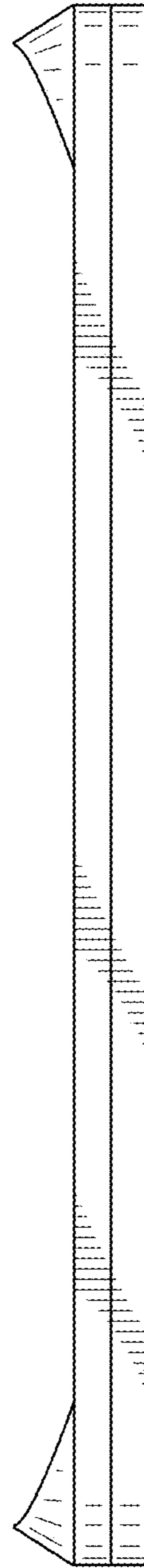


FIG. 6

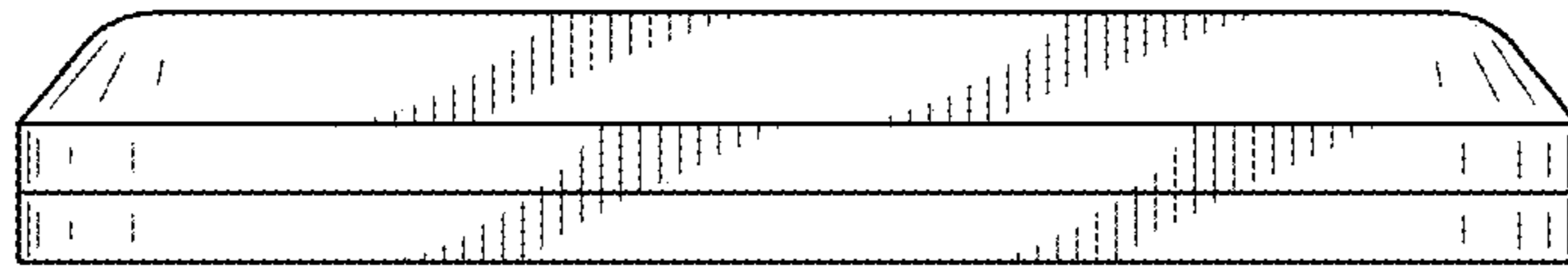


FIG. 7

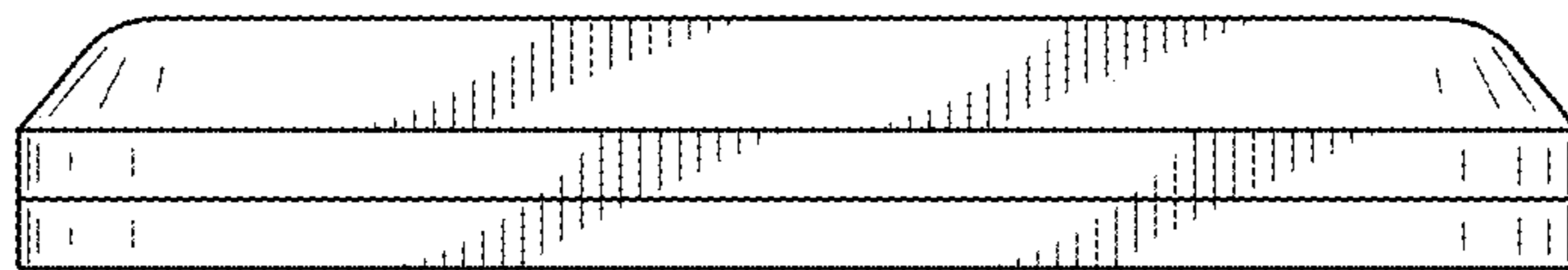


FIG. 8