



US00D911894S

(12) **United States Design Patent** (10) **Patent No.:** **US D911,894 S**
Tonello et al. (45) **Date of Patent:** **** Mar. 2, 2021**

(54) **VEHICLE MIRROR**
(71) Applicant: **Ford Global Technologies, LLC**,
Dearborn, MI (US)
(72) Inventors: **Domenico Tonello**, Cologne (DE);
Jordan Demkiw, Cologne (DE); **Joel**
Piaskowski, Dusseldorf (DE); **Claudio**
Messale, Cologne (DE); **George**
Saridakis, Edinburgh (GB)
(73) Assignee: **Ford Global Technologies, LLC**,
Dearborn, MI (US)
(**) Term: **15 Years**

D586,713 S * 2/2009 Habib D12/187
D636,311 S * 4/2011 Faghihzadeh D12/187
D691,934 S * 10/2013 Zhao D12/187
D709,416 S * 7/2014 Mays D12/187
D715,711 S * 10/2014 Blanski D12/187
D720,669 S * 1/2015 Hammoud D12/187
D746,196 S * 12/2015 Di Buduo D12/187
D777,068 S * 1/2017 Sterner D12/187
D792,824 S * 7/2017 Bucher D12/187
D798,208 S * 9/2017 Zavatski D12/187
D804,378 S * 12/2017 Perkins D12/187
D804,379 S * 12/2017 McMahan D12/187
D818,915 S * 5/2018 Kozub D12/187
D827,530 S * 9/2018 Bucher D12/187
D827,531 S * 9/2018 Bucher D12/187
D829,141 S * 9/2018 Scheinhutte D12/187
D832,167 S * 10/2018 Loeb D12/187

(Continued)

(21) Appl. No.: **29/661,874**
(22) Filed: **Aug. 31, 2018**
(30) **Foreign Application Priority Data**
Mar. 2, 2018 (DE) 40 2018 100 228.3
(51) **LOC (13) Cl.** **12-16**
(52) **U.S. Cl.**
USPC **D12/187**
(58) **Field of Classification Search**
USPC D12/187, 188, 189; D6/300, 309;
D26/28
CPC B60R 1/074; B60R 1/076; B60R 1/10;
B60R 1/02; B60R 1/06; B60R 1/008;
B60R 1/006; B60R 1/082; B60R 1/081;
B60R 1/08; B60R 1/078
See application file for complete search history.

Primary Examiner — Susan E Krakower
Assistant Examiner — Jerry Shiuan-Hua Hsu

(57) **CLAIM**

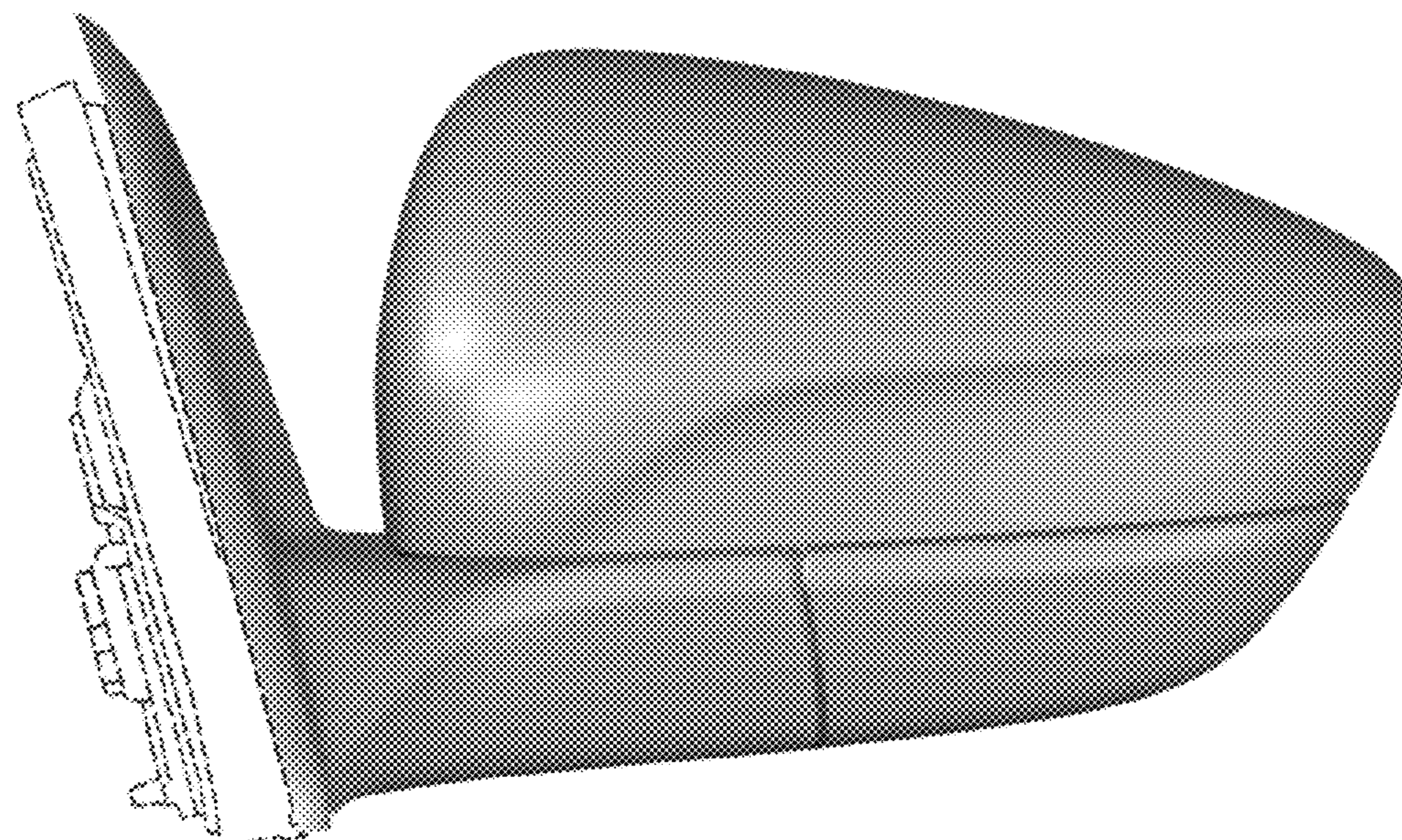
The ornamental design for a vehicle mirror, as shown and described.

DESCRIPTION

FIG. 1 is a front elevational of a vehicle mirror, showing our new design;
FIG. 2 is a rear elevational view thereof;
FIG. 3 is a left side elevational view thereof;
FIG. 4 is a right side elevational view thereof;
FIG. 5 is a top plan view thereof;
FIG. 6 is a bottom plan view thereof;
FIG. 7 is a top, front, and left side perspective view thereof;
FIG. 8 is a bottom, front, and left side perspective view thereof; and,
FIG. 9 is a top, rear, and right side perspective view thereof.
The broken lines illustrate portions of the vehicle mirror that form no part of the claimed design.

(56) **References Cited**
U.S. PATENT DOCUMENTS
D554,032 S * 10/2007 Bengtsson D12/187
D559,162 S * 1/2008 Saridakis D12/187

1 Claim, 9 Drawing Sheets



(56)

References Cited

U.S. PATENT DOCUMENTS

D839,157 S * 1/2019 Smith D12/187
D842,783 S * 3/2019 Miyazawa D12/187

* cited by examiner

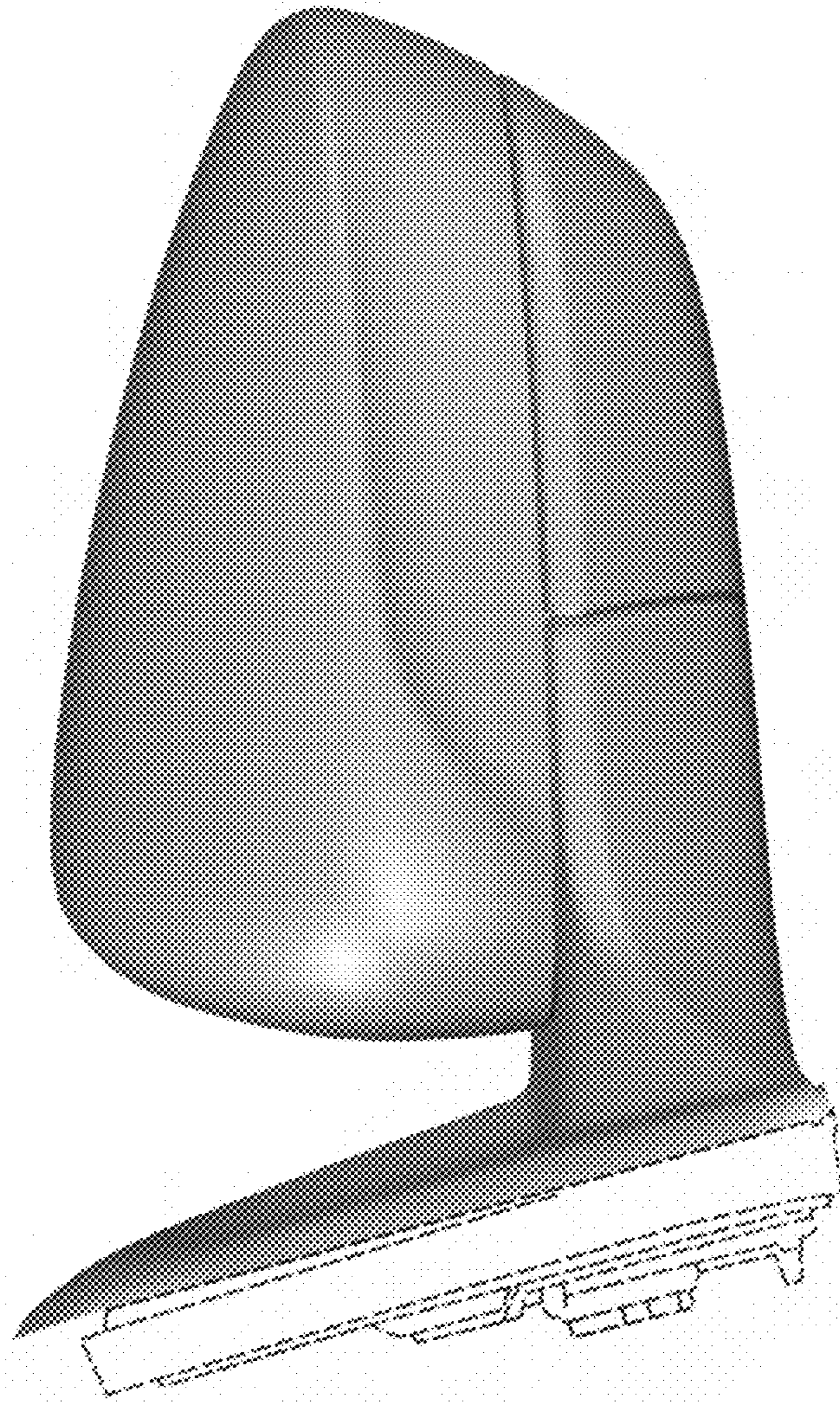


FIG. 1



FIG. 2

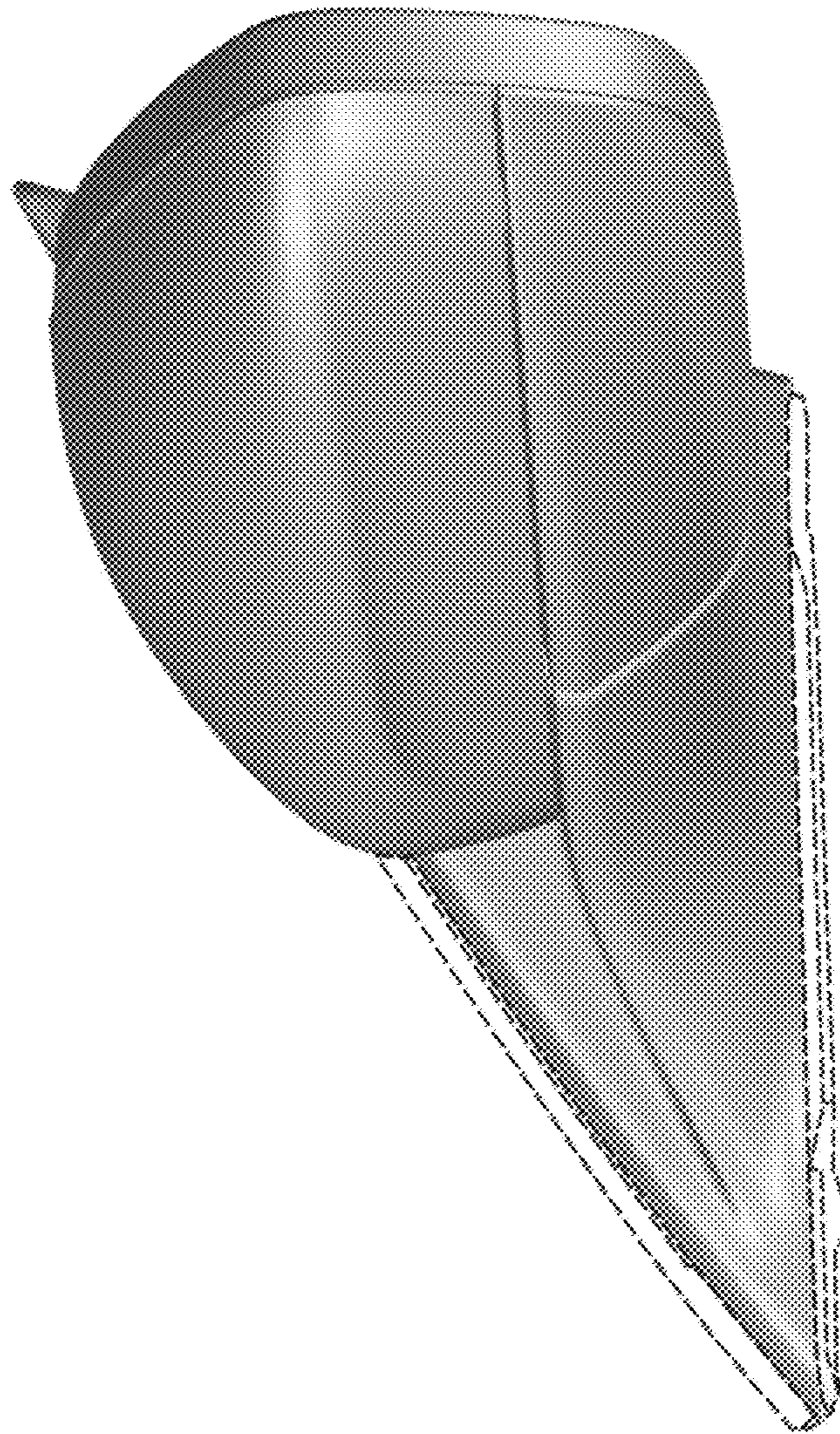


Fig. 3

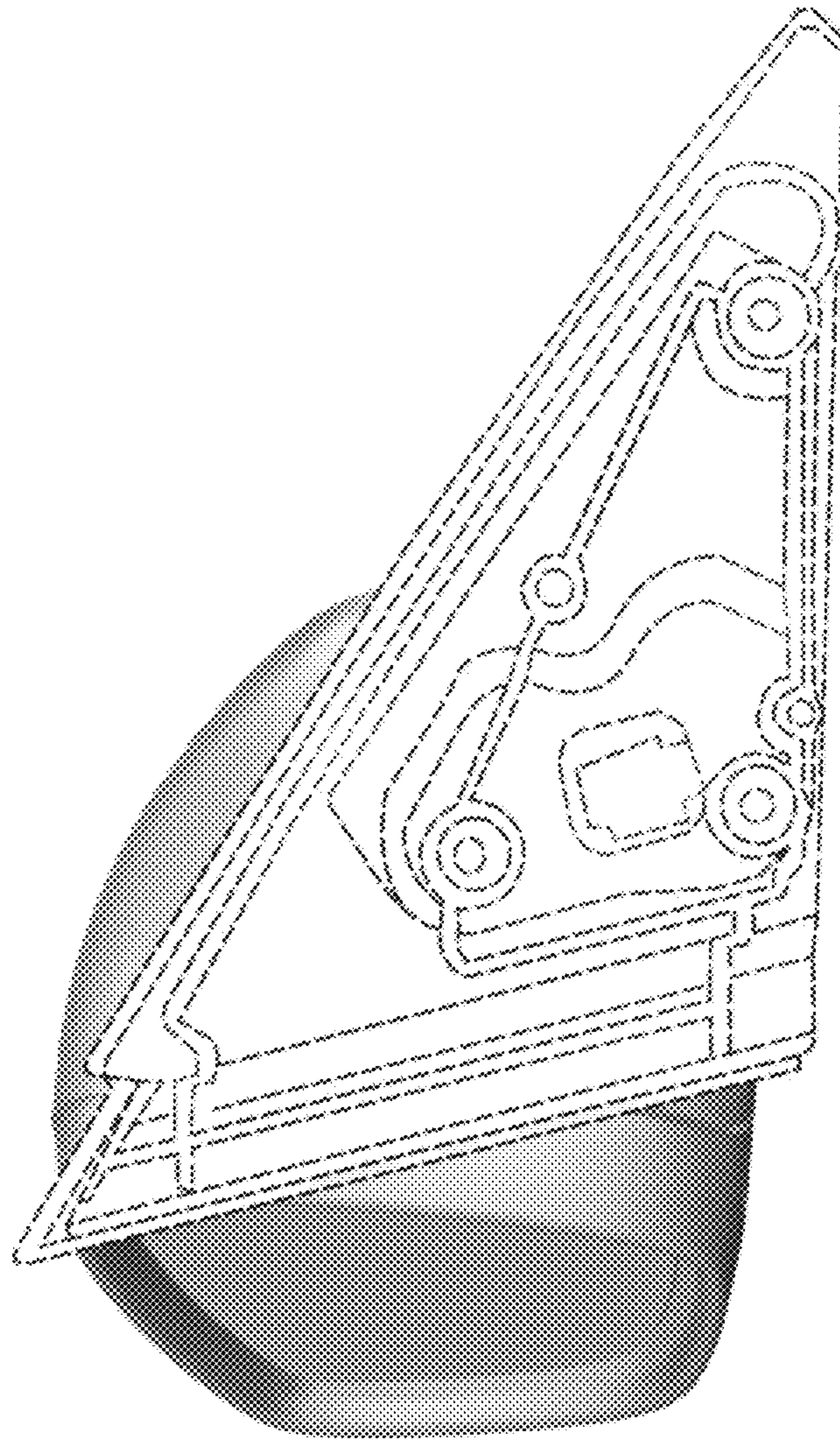


Fig. 4

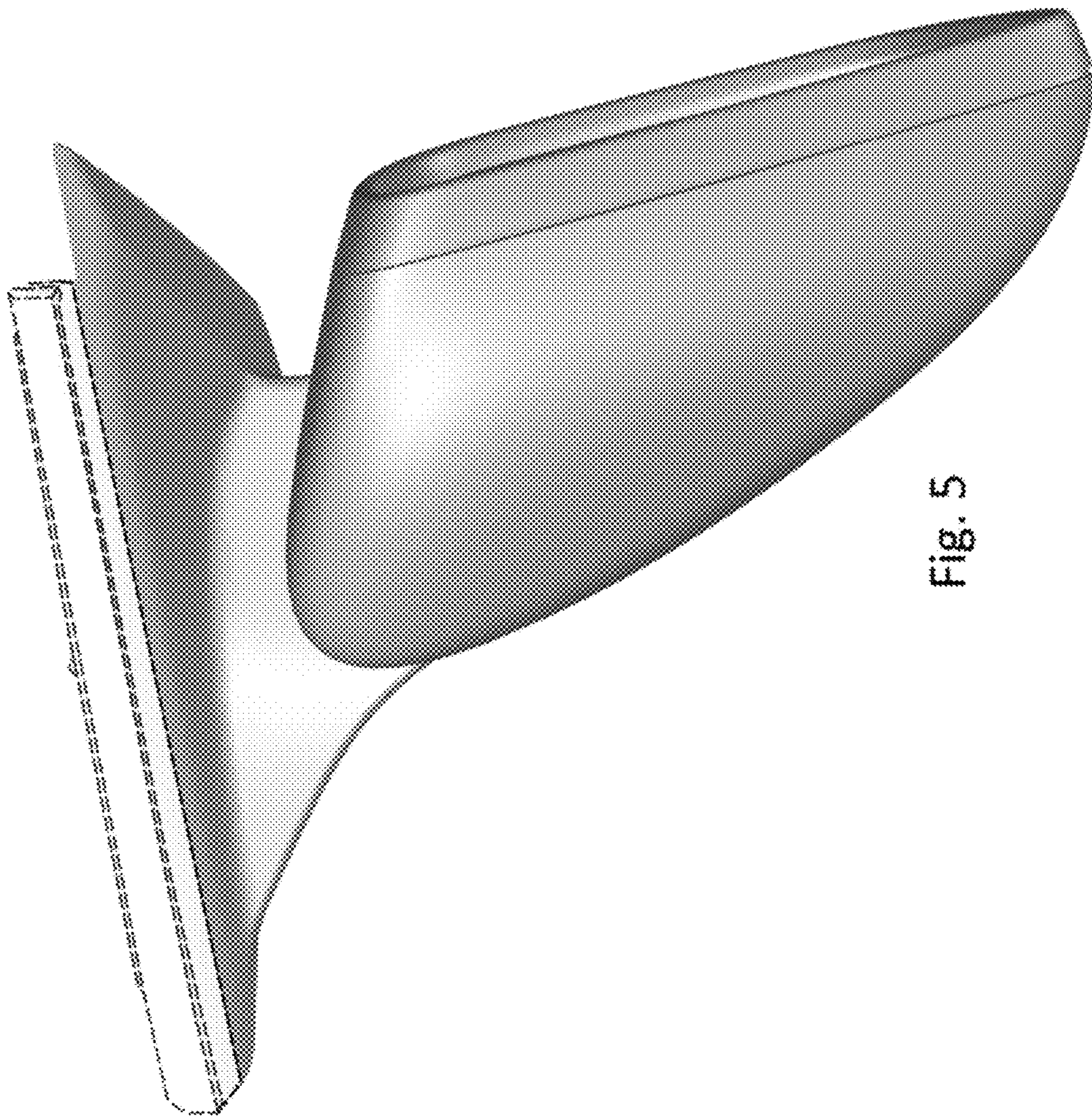


Fig. 5

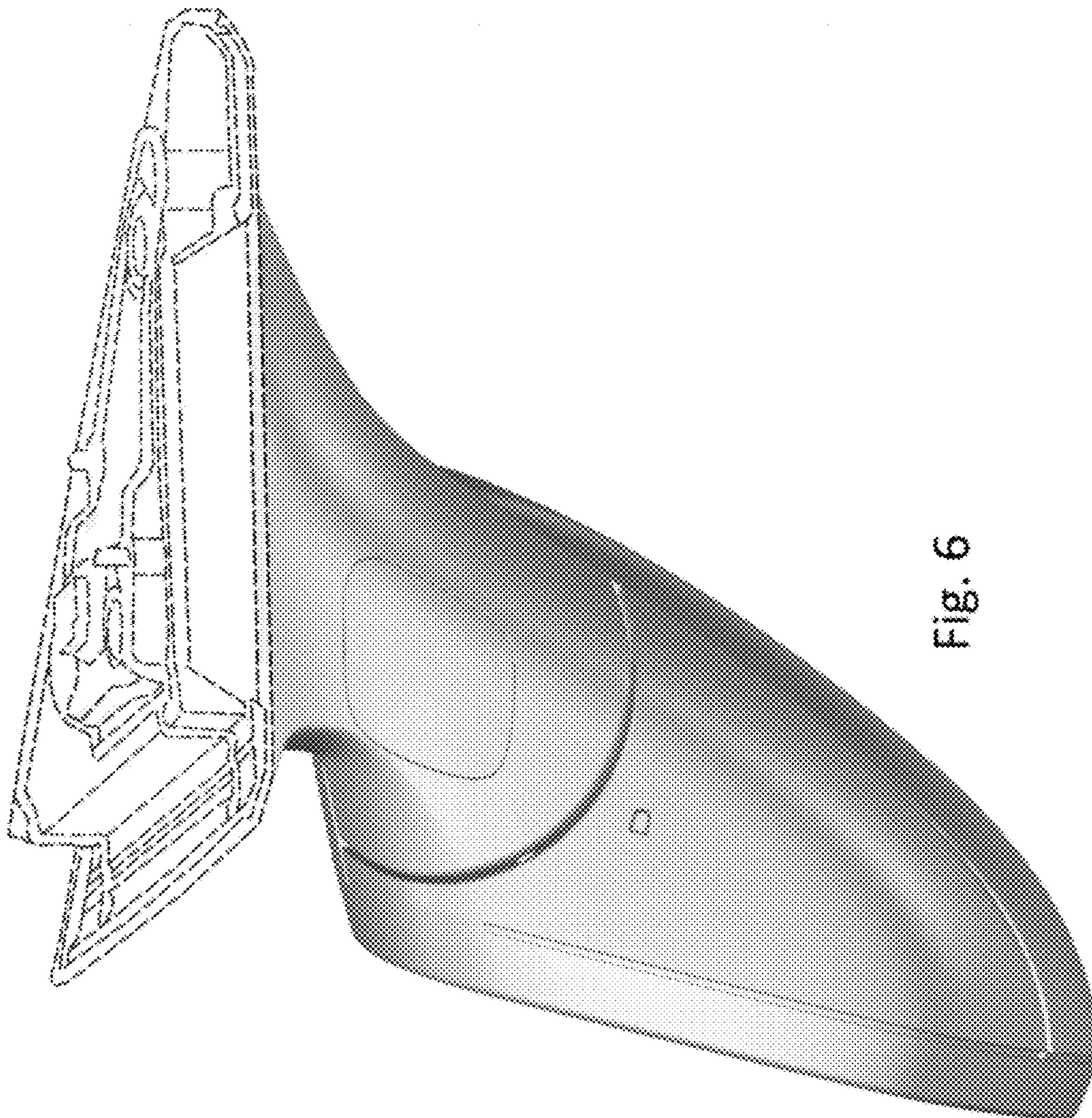


Fig. 6

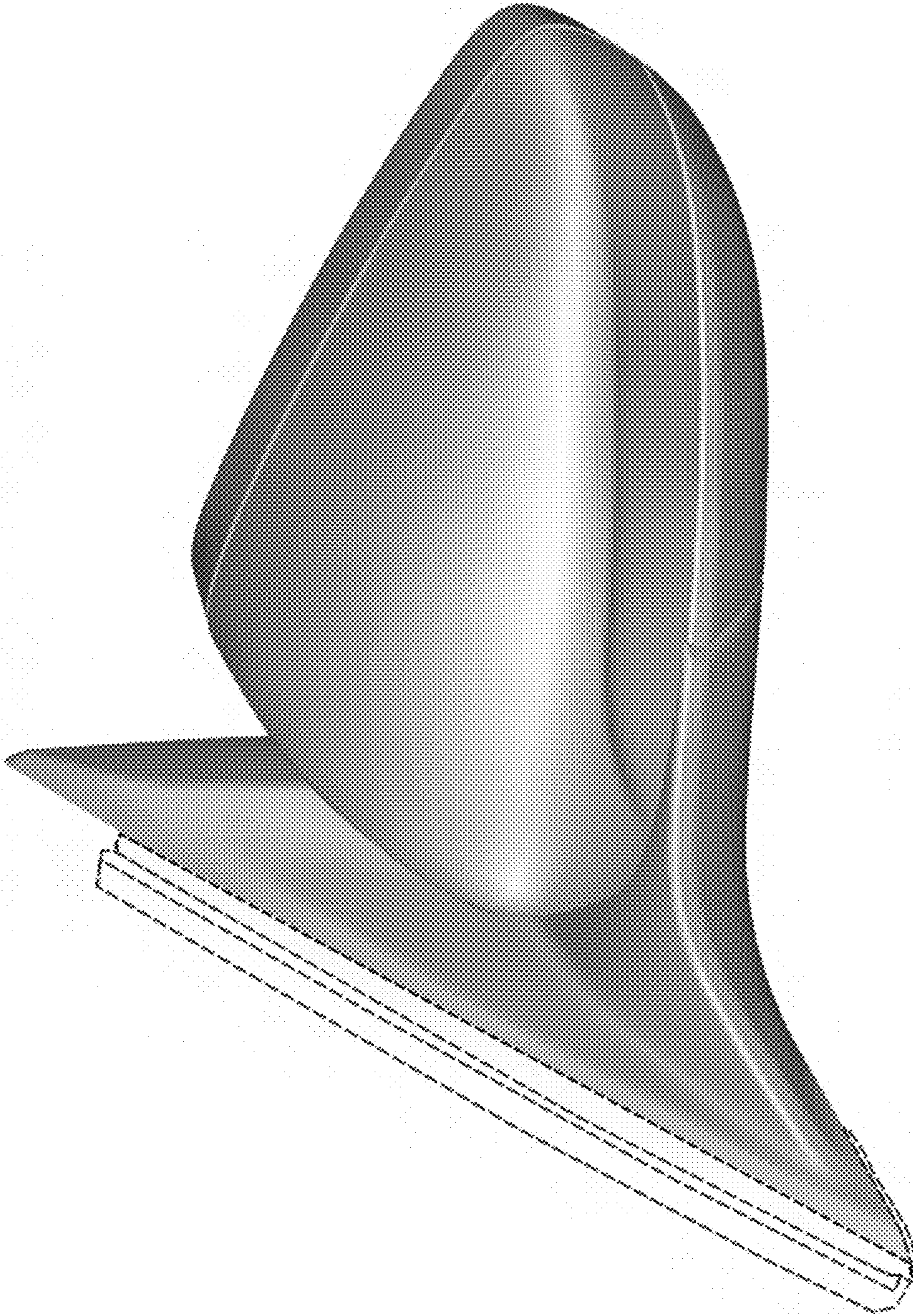


Fig. 7

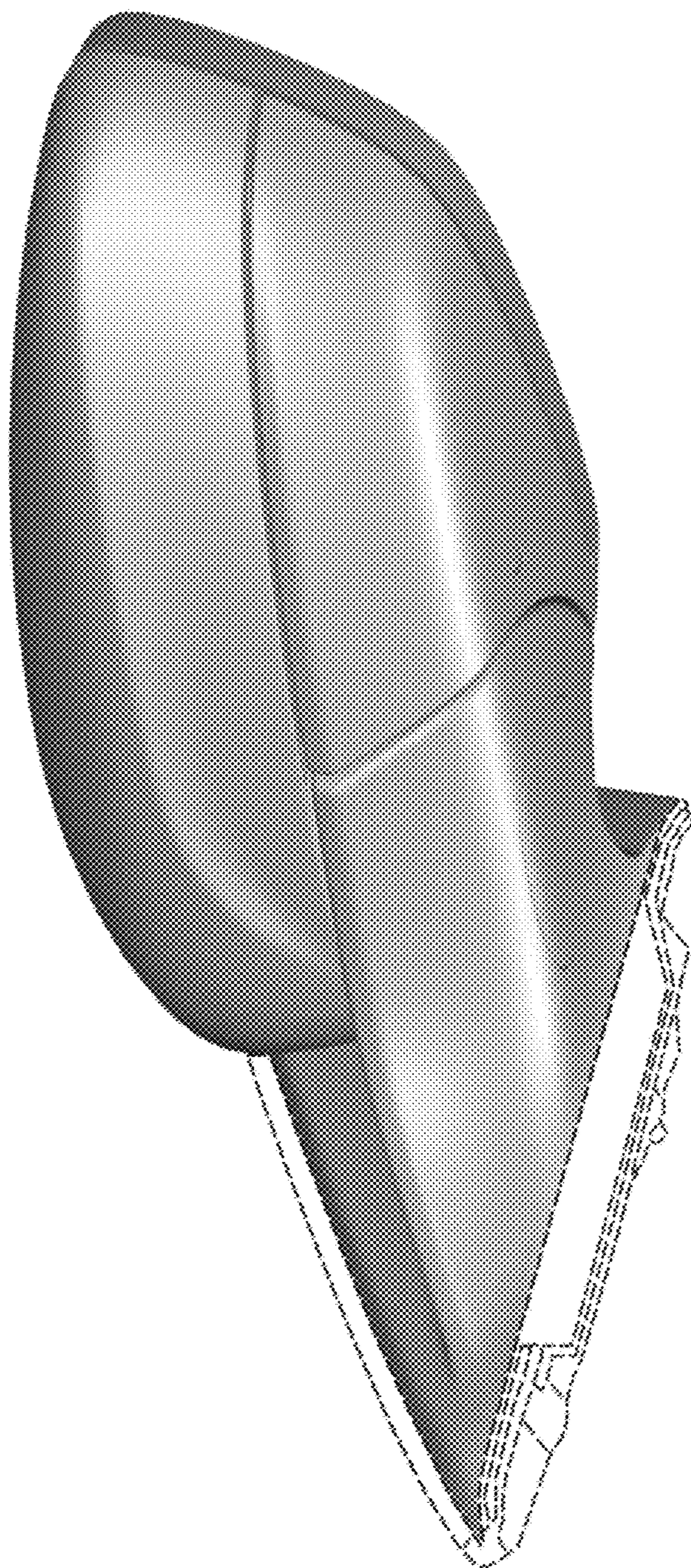


FIG. 8

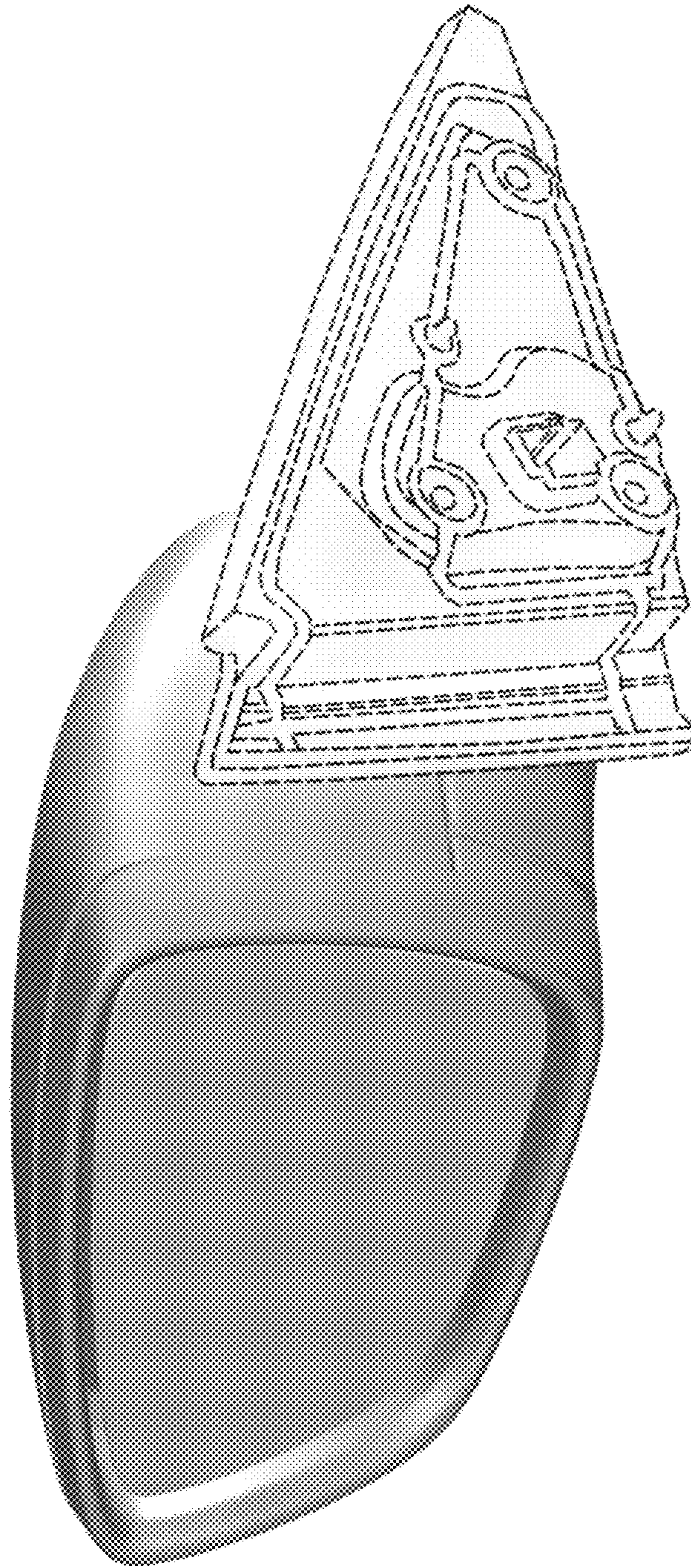


Fig. 9