



US00D911893S

(12) **United States Design Patent**  
**Li**

(10) **Patent No.:** **US D911,893 S**  
(45) **Date of Patent:** **\*\* Mar. 2, 2021**

(54) **VEHICLE FENDER FLARE**

(71) Applicant: **M2 Distribution Ltd.**, Port Coquitlam (CA)  
(72) Inventor: **Ming Li**, Coquitlam (CA)  
(73) Assignee: **M2 Distribution Ltd.**, Port Coquitlam (CA)  
(\*\*) Term: **15 Years**

(21) Appl. No.: **29/666,947**  
(22) Filed: **Oct. 17, 2018**  
(51) **LOC (13) Cl.** ..... **12-16**  
(52) **U.S. Cl.**  
USPC ..... **D12/184**  
(58) **Field of Classification Search**  
USPC ..... D12/88, 181, 184, 190, 191, 196, 400  
CPC ..... B62D 25/02; B62D 25/16; B62D 25/161;  
B62D 25/18  
See application file for complete search history.

(56) **References Cited**

**U.S. PATENT DOCUMENTS**

D528,471 S *	9/2006	Renkert	.....	D12/91
D582,825 S *	12/2008	Logan	.....	D12/184
D623,103 S *	9/2010	Braga	.....	D12/181
D688,611 S *	8/2013	Liao	.....	D12/190
D688,612 S *	8/2013	Liao	.....	D12/190
D712,324 S *	9/2014	McFarlin	.....	D12/181
D778,795 S *	2/2017	Johns	.....	D12/184
D814,354 S *	4/2018	Fisker	.....	D12/91
D839,806 S *	2/2019	Chi	.....	D12/184
D855,519 S *	8/2019	Bundy	.....	D12/184
D861,561 S *	10/2019	Mallicote	.....	D12/184

(Continued)

**FOREIGN PATENT DOCUMENTS**

CN	304219600	*	7/2017
CN	304292499	*	9/2017

**OTHER PUBLICATIONS**

Tyger Fender Flares <https://www.tygerauto.com/i-50225-tg-ff7j66818-fender-flares-4pcs-set-black-textured-compatible-with-2007-2018-jeep-wrangler-jk-both-2-4-door.html> Retrieved Mar. 31, 2020 (Year: 2020).\*

*Primary Examiner* — Leanne Was-Englehart  
(74) *Attorney, Agent, or Firm* — Eric J. Sosenko; Jonathan P. O'Brien; Honigman LLP

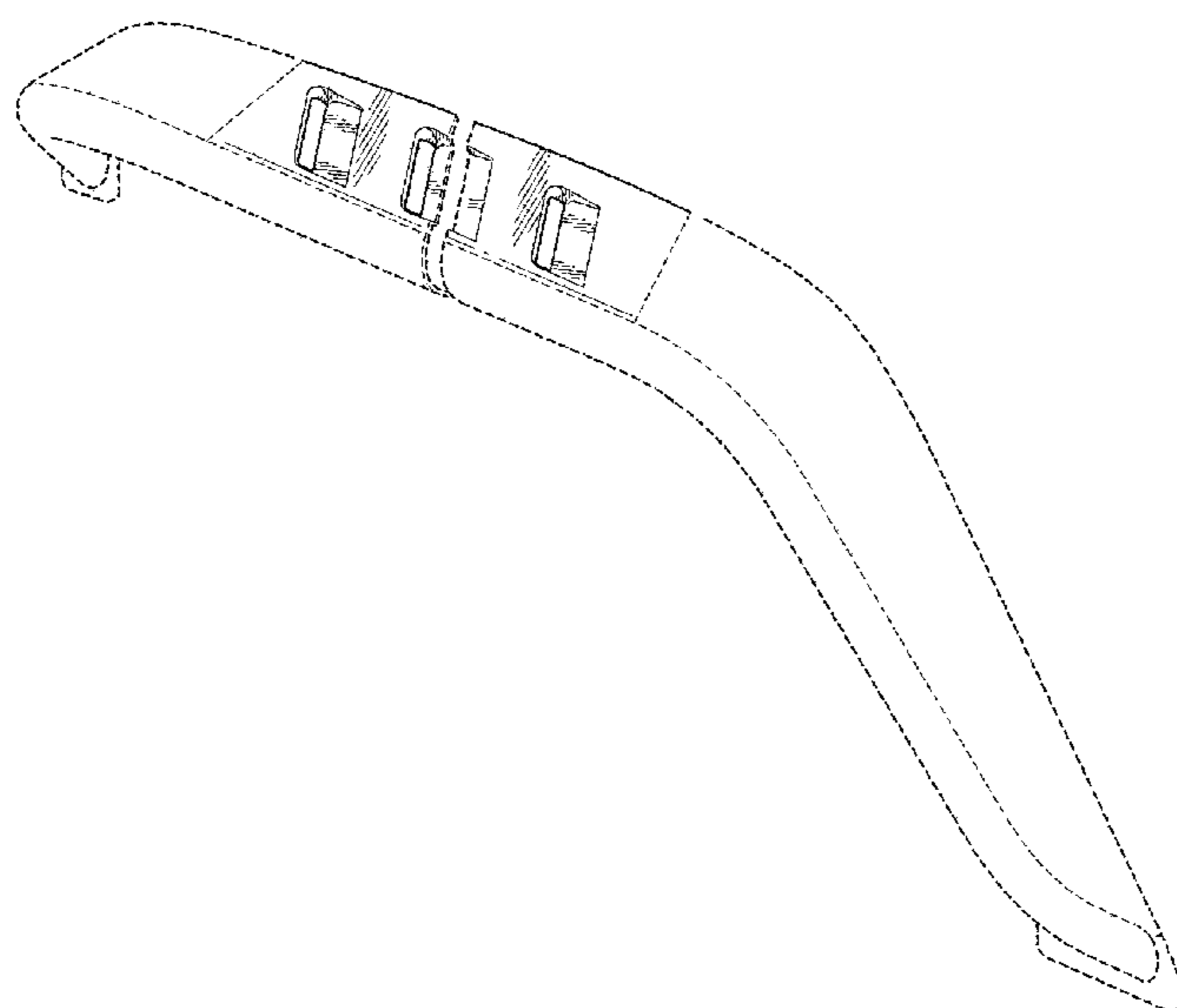
(57) **CLAIM**

The ornamental design for a vehicle fender flare, as shown and described.

**DESCRIPTION**

FIG. 1 is a perspective view of a vehicle fender flare, for the left side of a vehicle, according to the design of the present invention.  
FIG. 2 is a second perspective view, generally from the front, of the vehicle fender flare seen in FIG. 1.  
FIG. 3 is a third perspective view, generally from the rear, of the vehicle fender flare seen in FIG. 1.  
FIG. 4 is a top view of the vehicle fender flare seen in FIG. 1.  
FIG. 5 is left side view of the vehicle fender flare seen in FIG. 1.  
FIG. 6 is a bottom side view of the vehicle fender flare seen in FIG. 1; and,  
FIG. 7 is a right side view of the vehicle fender flare seen in FIG. 1.  
A vehicle fender flare, for the right side of a vehicle, being a mirror image of the vehicle fender flare seen in FIGS. 1-7. In the drawings, the broken lines depict portions of the vehicle fender flare which do not form part of the claimed design. The drawings include a symbolic break. The portion between the break lines forms no part of the claimed design. Shade lines having a combination of long and short lines in the drawings show contour and not surface ornamentation.

**1 Claim, 3 Drawing Sheets**



(56)

**References Cited**

U.S. PATENT DOCUMENTS

D863,159 S \* 10/2019 Goodrich ..... D12/184  
D875,006 S \* 2/2020 DiCanzio ..... D12/184  
2019/0233020 A1\* 8/2019 Frederick ..... B62D 25/16

\* cited by examiner

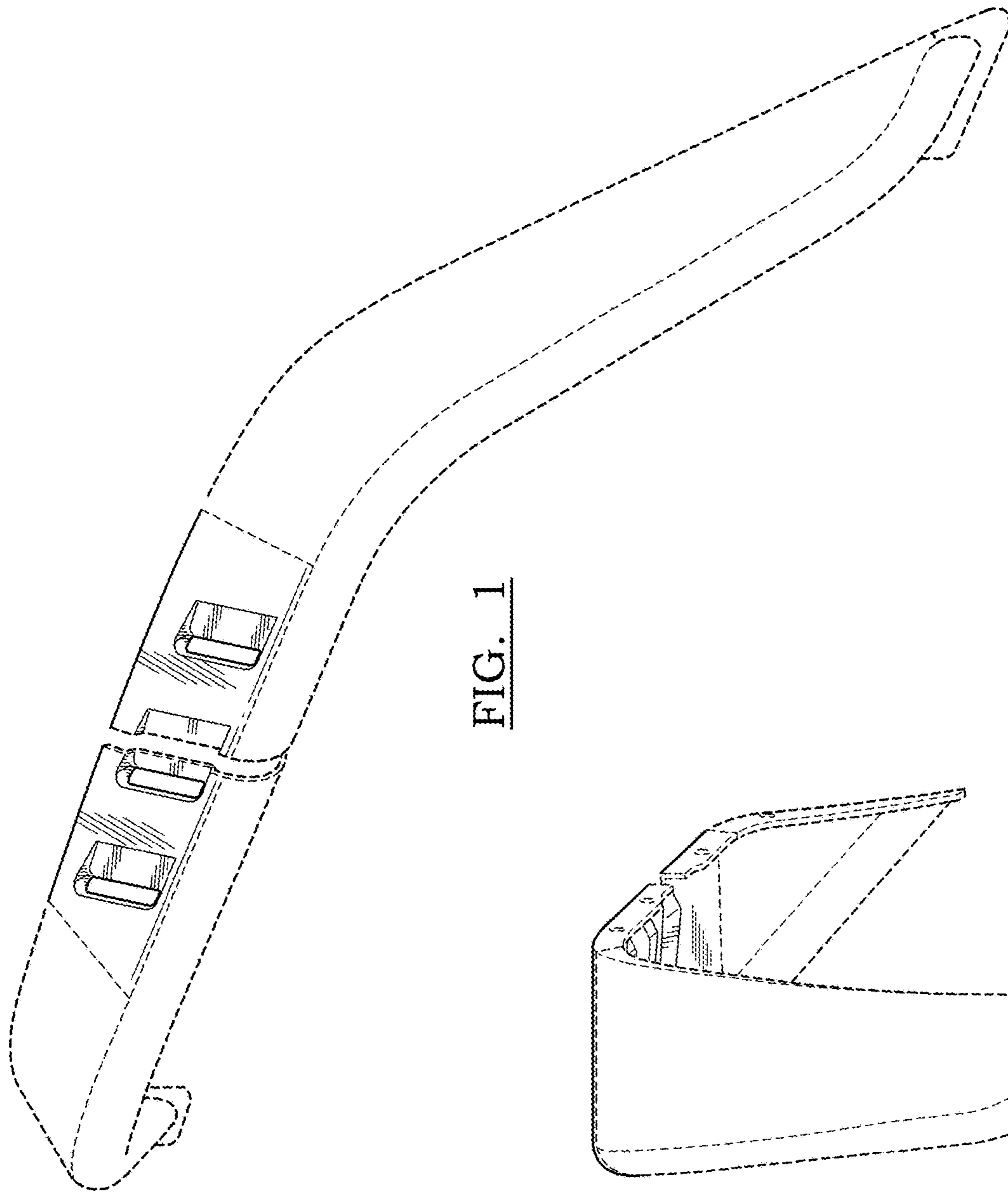


FIG. 1

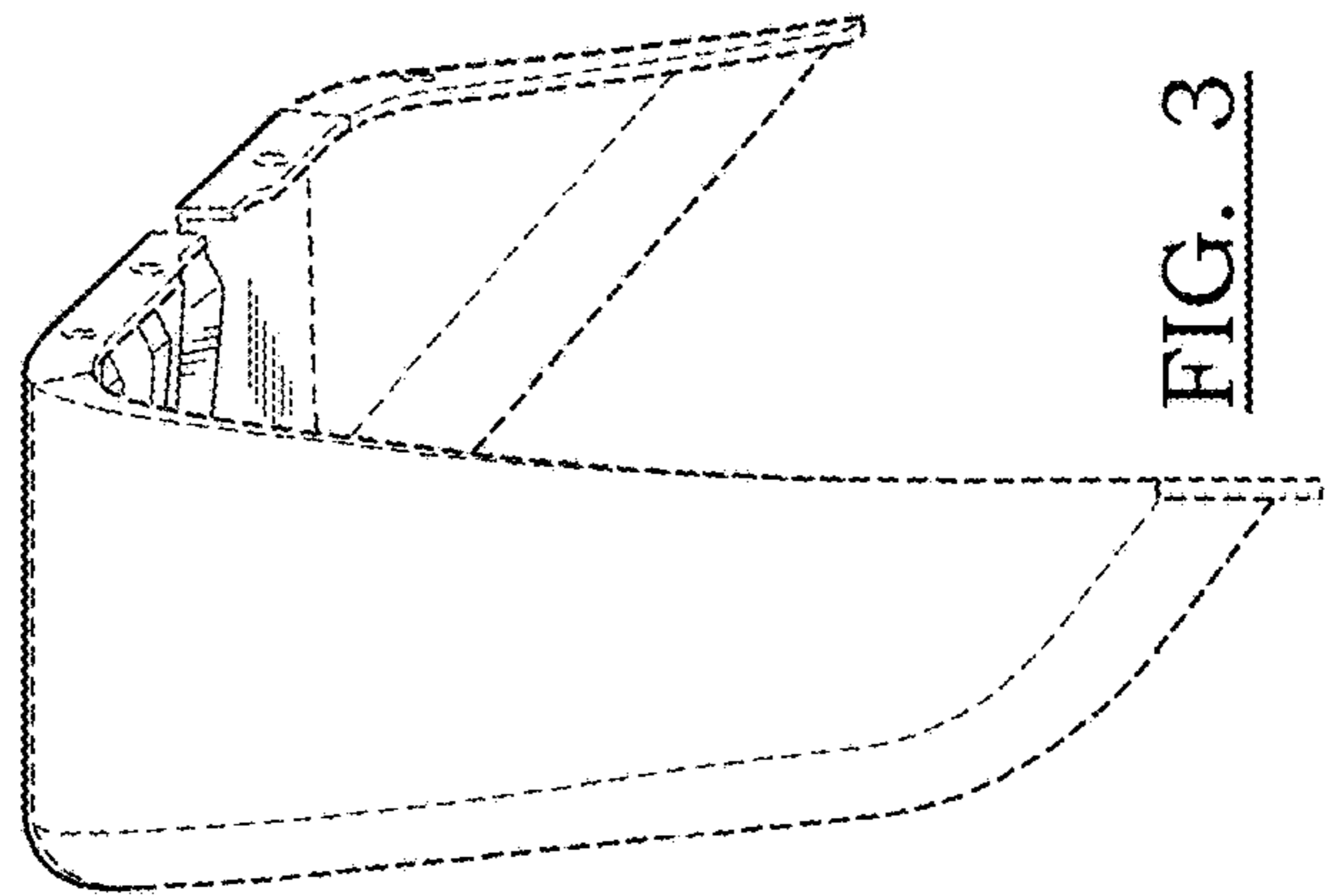


FIG. 3

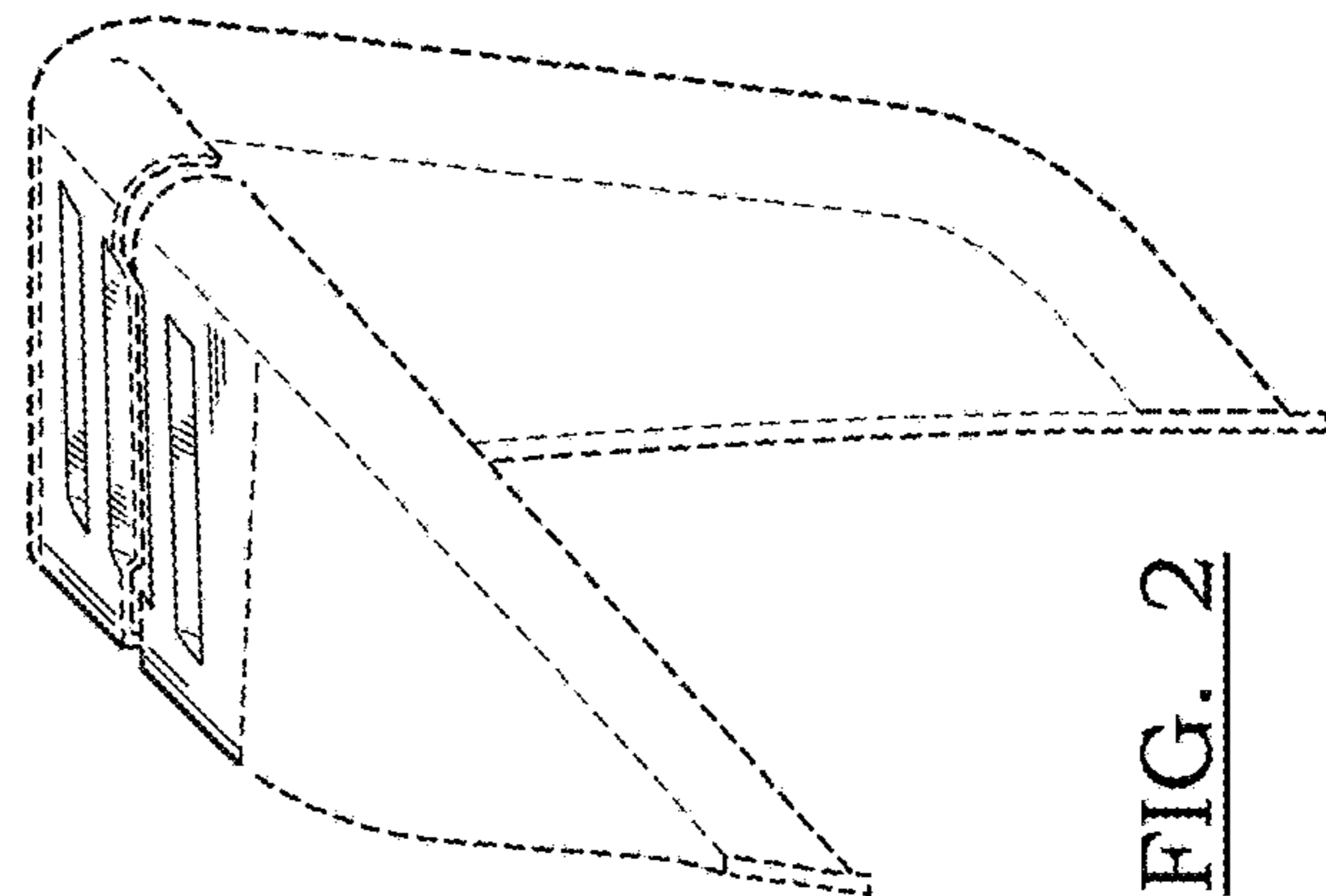


FIG. 2

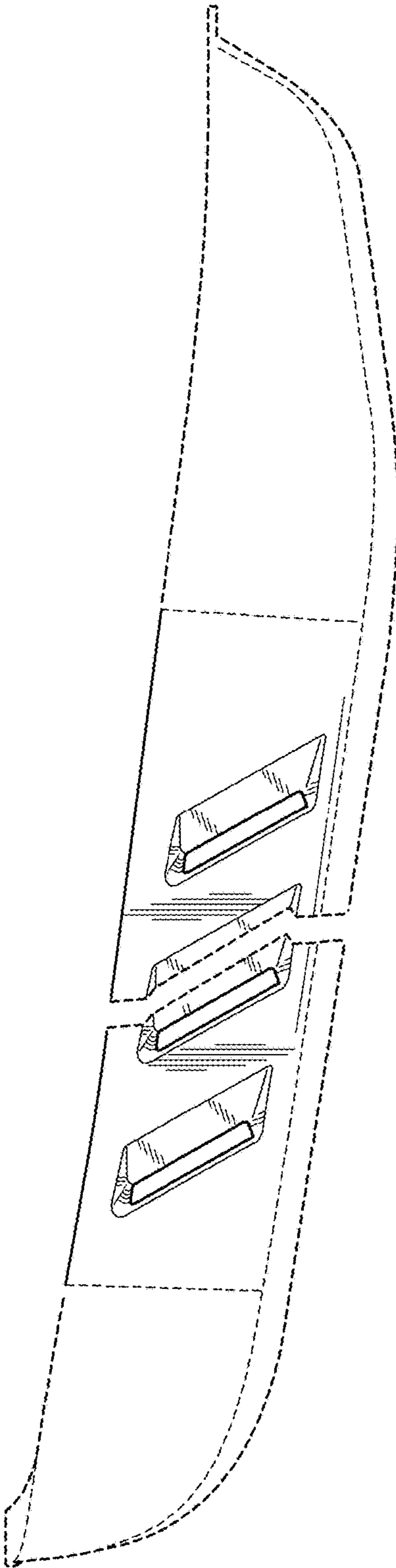


FIG. 4

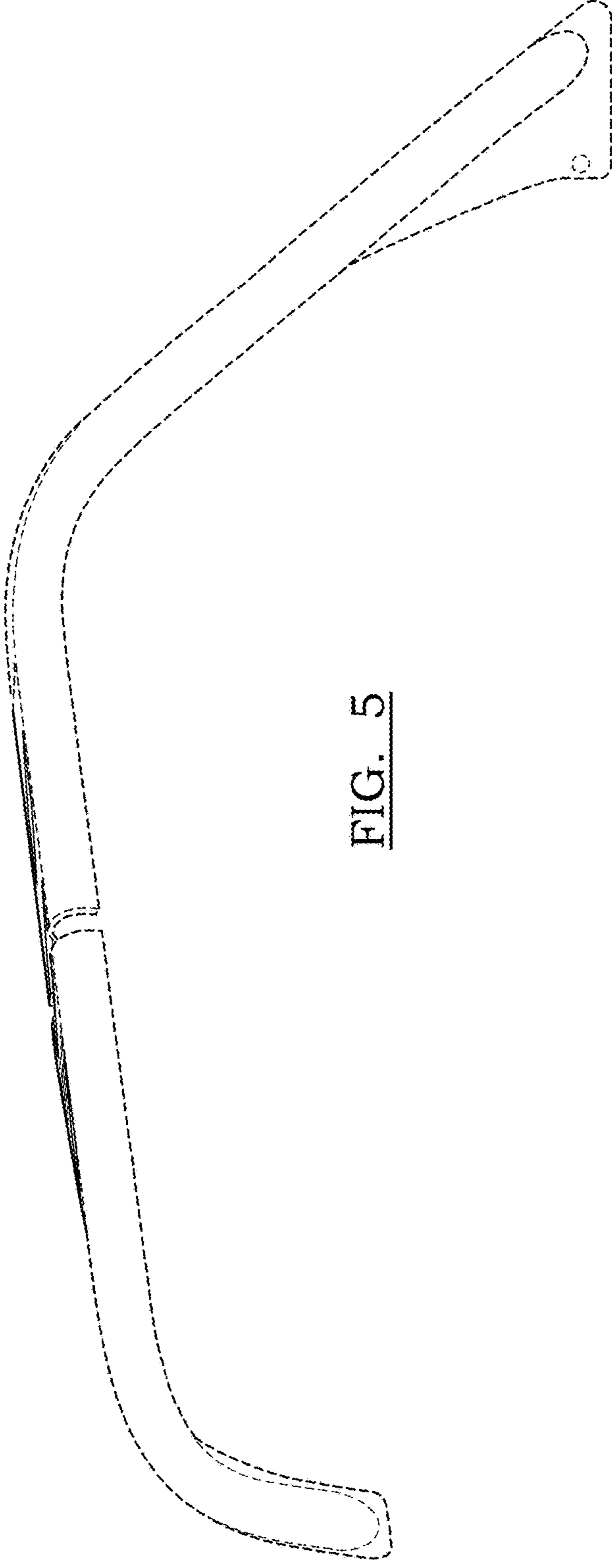


FIG. 5

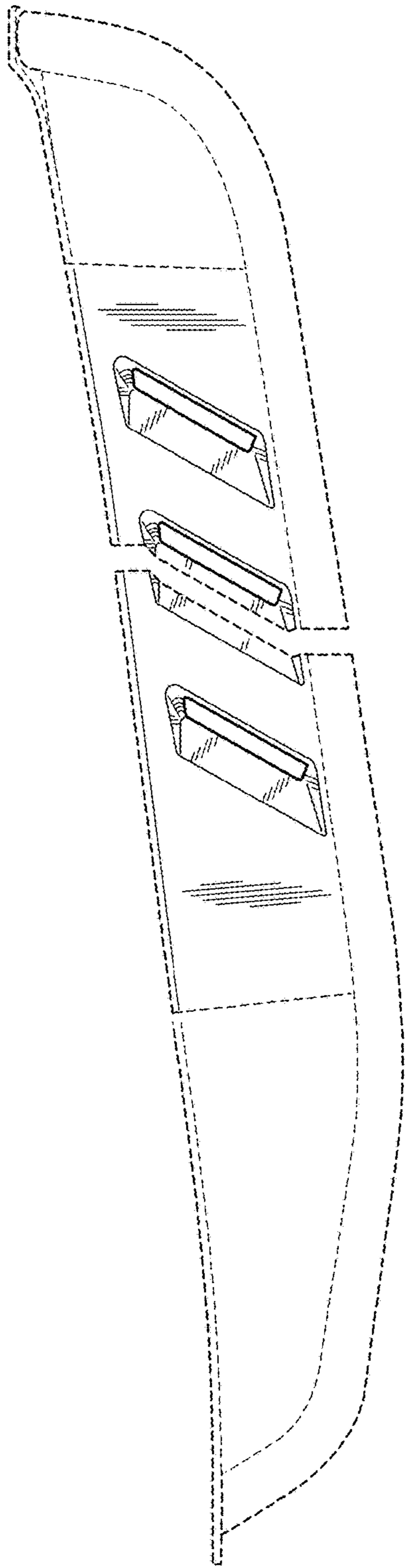


FIG. 6

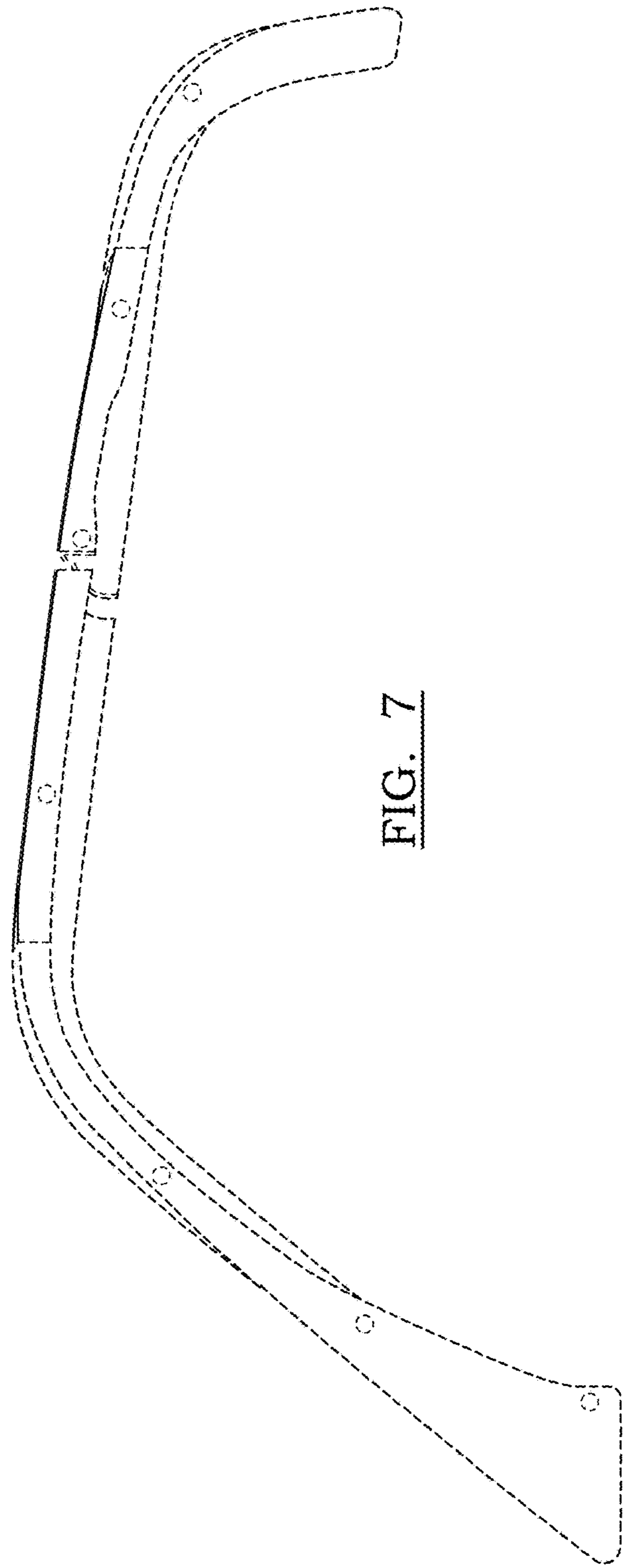


FIG. 7