



US00D911892S

(12) **United States Design Patent**  
**Wojtaszyk**

(10) **Patent No.:** **US D911,892 S**

(45) **Date of Patent:** **\*\* Mar. 2, 2021**

- (54) **LEVER**
- (71) Applicant: **Bartosh Wojtaszyk**, Fountain Hills, AZ (US)
- (72) Inventor: **Bartosh Wojtaszyk**, Fountain Hills, AZ (US)
- (\*\*) Term: **15 Years**
- (21) Appl. No.: **29/698,613**
- (22) Filed: **Jul. 18, 2019**
- (51) **LOC (13) Cl.** ..... **12-16**
- (52) **U.S. Cl.**  
USPC ..... **D12/179**
- (58) **Field of Classification Search**  
USPC ..... D12/123, 179, 180  
CPC ..... B62K 23/06; B62K 23/04; B62L 3/02;  
B62L 3/023; B60T 11/26; G10K 1/072  
See application file for complete search history.

- 7,497,309 B2 \* 3/2009 Chen ..... B62L 3/023  
188/24.22
- 7,757,821 B2 \* 7/2010 Tetsuka ..... B62L 3/023  
188/26
- 7,793,565 B2 \* 9/2010 Orrico ..... B62L 3/02  
74/502.2
- 8,166,845 B2 \* 5/2012 Liu ..... B62K 23/06  
74/523
- 8,342,305 B2 \* 1/2013 Moore ..... B60T 11/26  
188/344
- D860,081 S \* 9/2019 Deponti ..... D12/179
- 2010/0269622 A1 \* 10/2010 Liu ..... B62K 23/06  
74/501.6

\* cited by examiner

*Primary Examiner* — Susan E Krakower  
*Assistant Examiner* — Jerry Shiuang-Hua Hsu  
(74) *Attorney, Agent, or Firm* — Rosenberg, Klein & Lee

(57) **CLAIM**

The ornamental design for a lever, as shown and described.

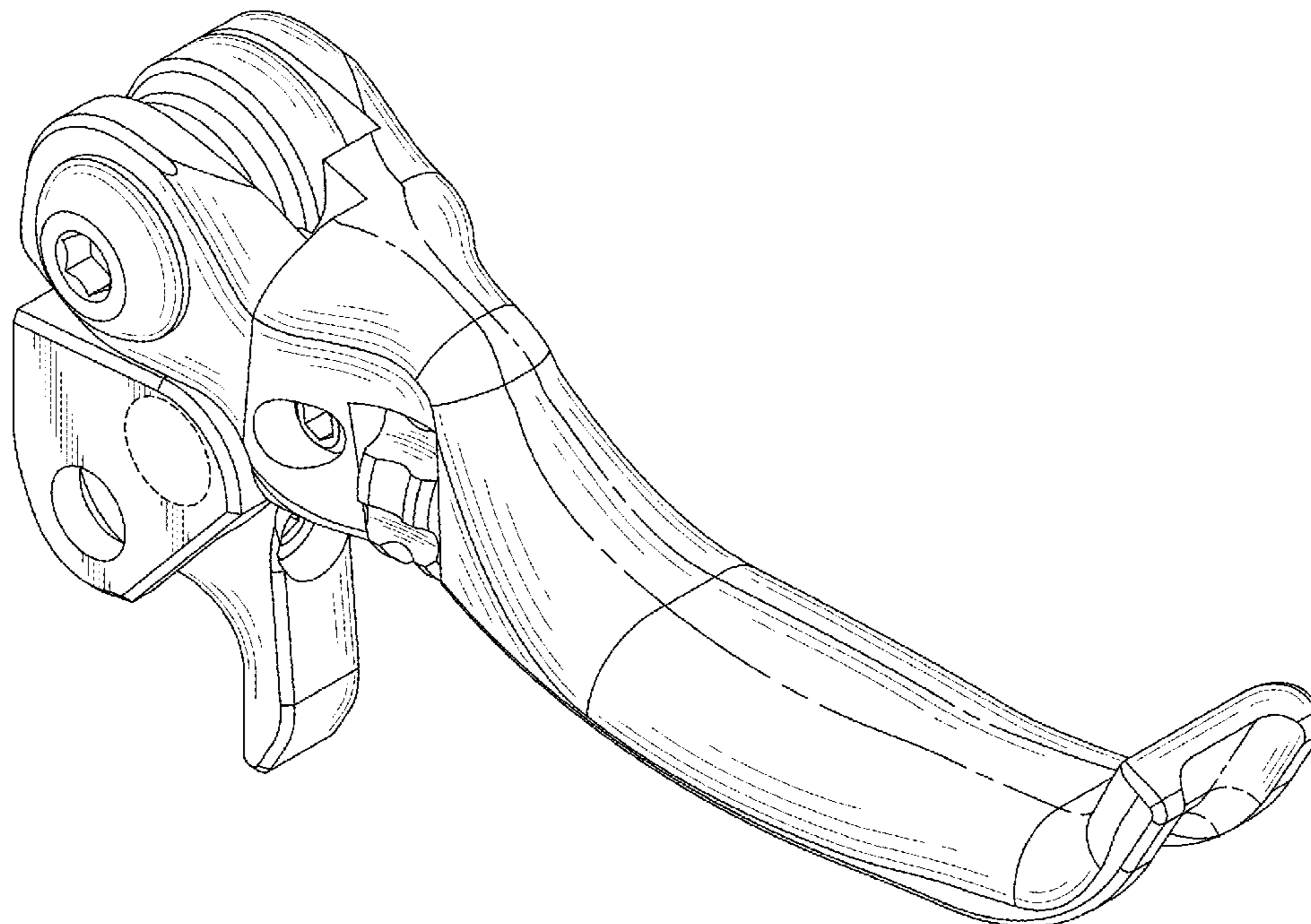
(56) **References Cited**  
U.S. PATENT DOCUMENTS

- 5,123,296 A \* 6/1992 Chang ..... B62K 23/06  
74/489
- D382,842 S \* 8/1997 Nishimura ..... D12/179
- D386,734 S \* 11/1997 Nishimura ..... D12/179
- 5,887,486 A \* 3/1999 Lin ..... B62K 23/06  
74/489
- 6,053,068 A \* 4/2000 Yamashita ..... B62L 3/02  
74/489
- D442,529 S \* 5/2001 Terasawa ..... D12/179
- D521,427 S \* 5/2006 Tsai ..... D12/179
- D543,913 S \* 6/2007 Hanamura ..... D12/179
- D544,420 S \* 6/2007 Hanamura ..... D12/179
- 7,424,863 B2 \* 9/2008 Tsai ..... G10K 1/072  
116/148

**DESCRIPTION**

FIG. 1 is a front-right-top perspective view of the lever showing my new design;  
FIG. 2 is a front elevational view thereof;  
FIG. 3 is a rear elevational view thereof;  
FIG. 4 is a left side elevational view thereof;  
FIG. 5 is a right side elevational view thereof;  
FIG. 6 is a top plan view thereof;  
FIG. 7 is a bottom plan view thereof; and,  
FIG. 8 is a front-left-bottom perspective view thereof.  
The broken lines in FIGS. 1-8 illustrate portions of the lever which form no part of the claimed design.

**1 Claim, 8 Drawing Sheets**



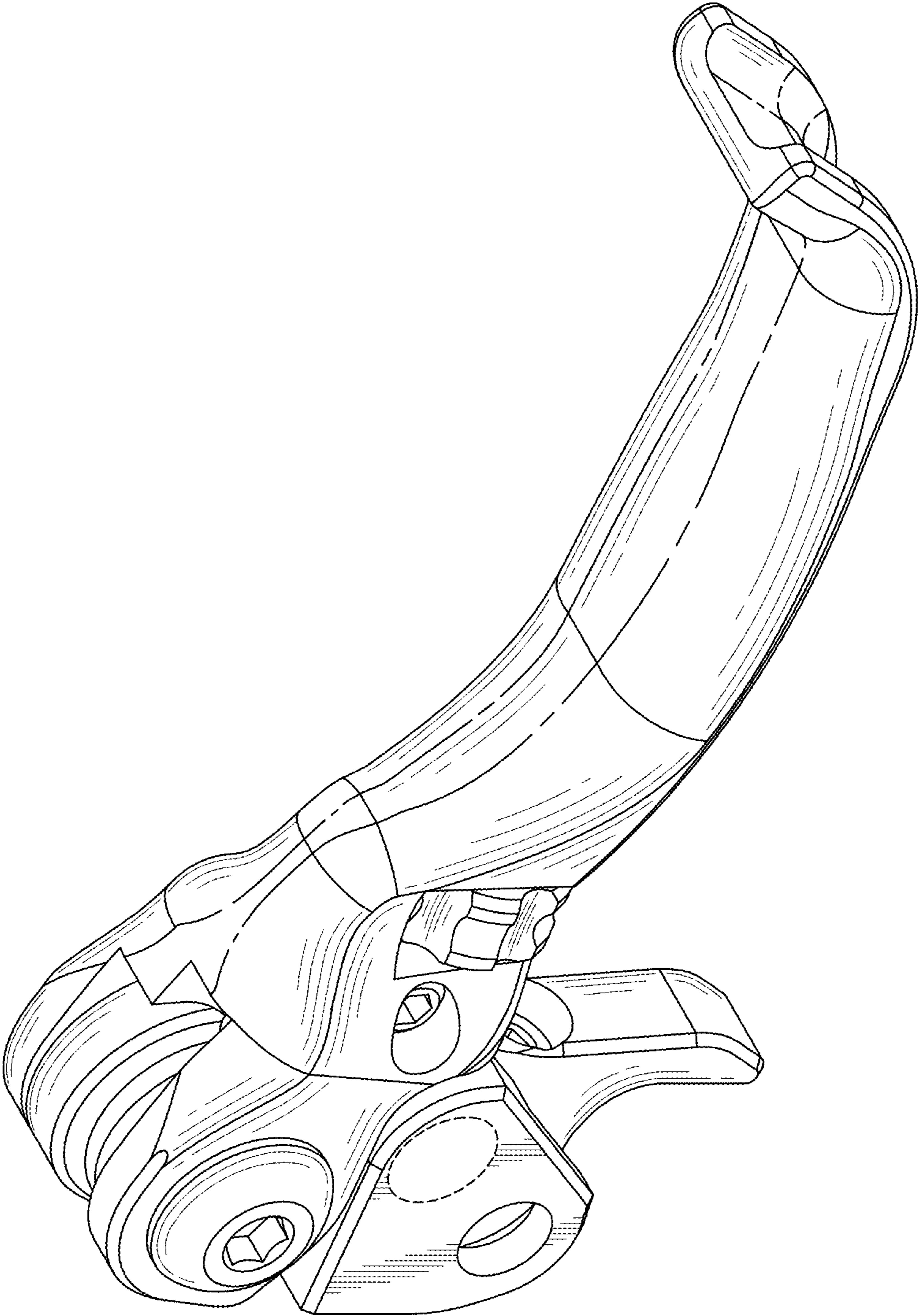


FIG.1

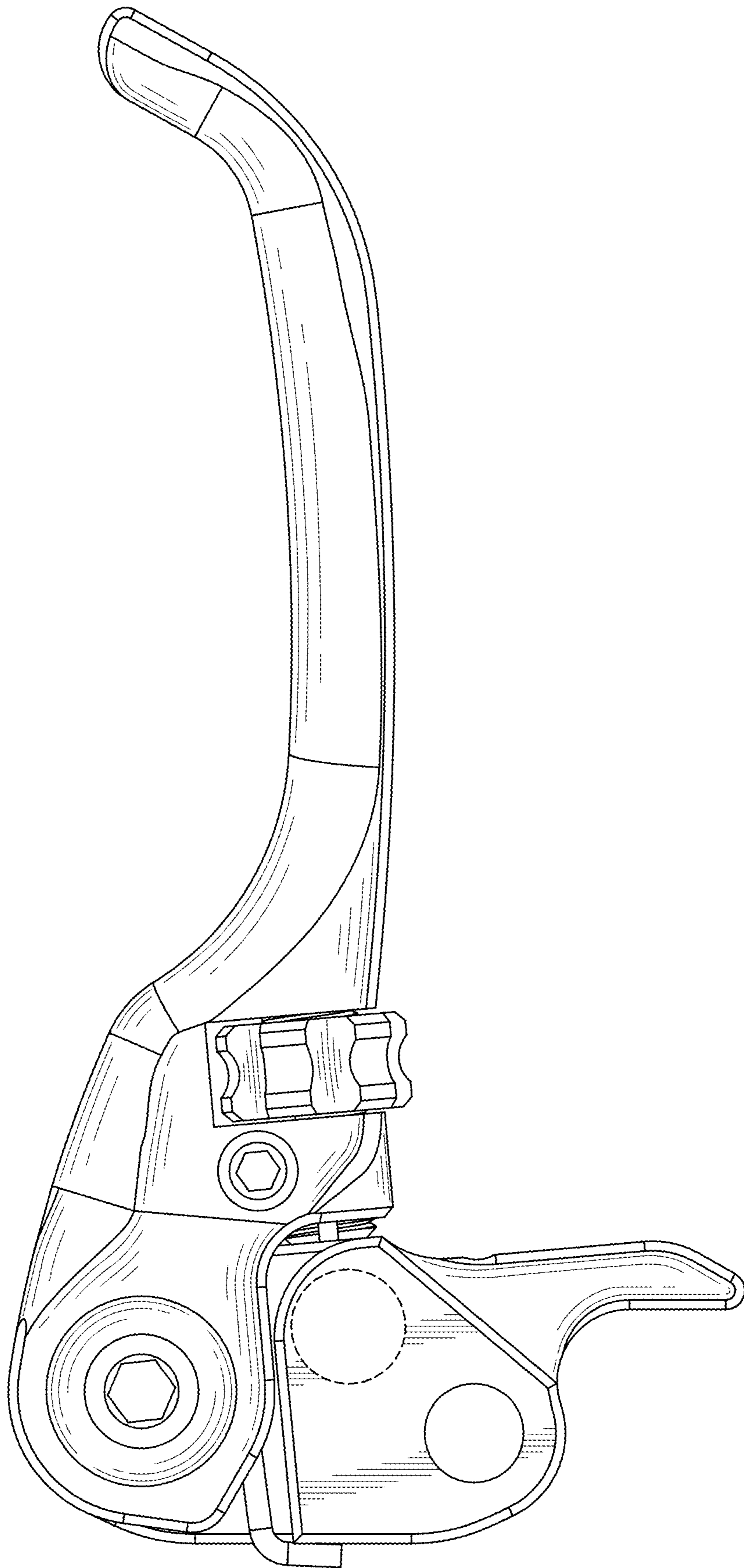


FIG.2

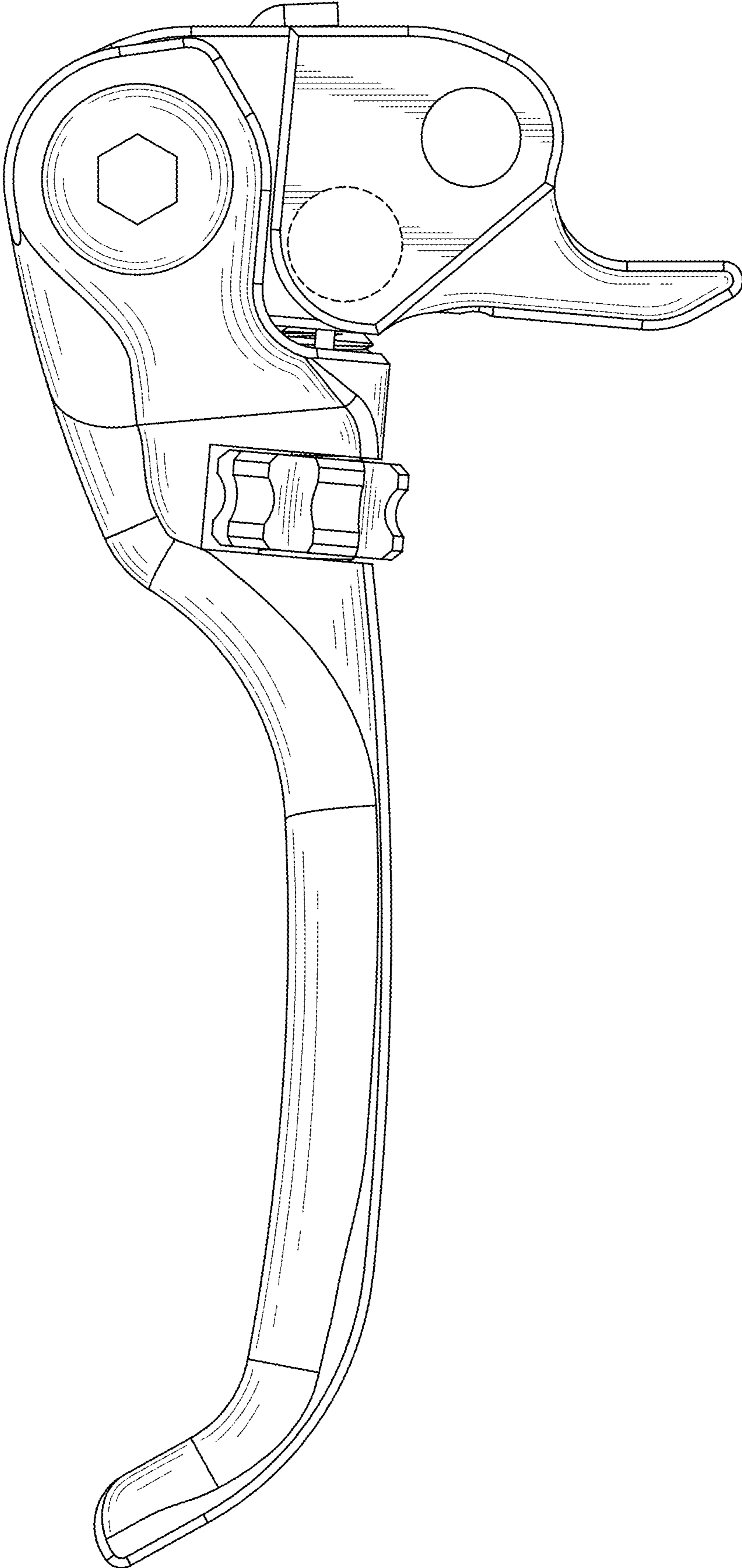


FIG.3

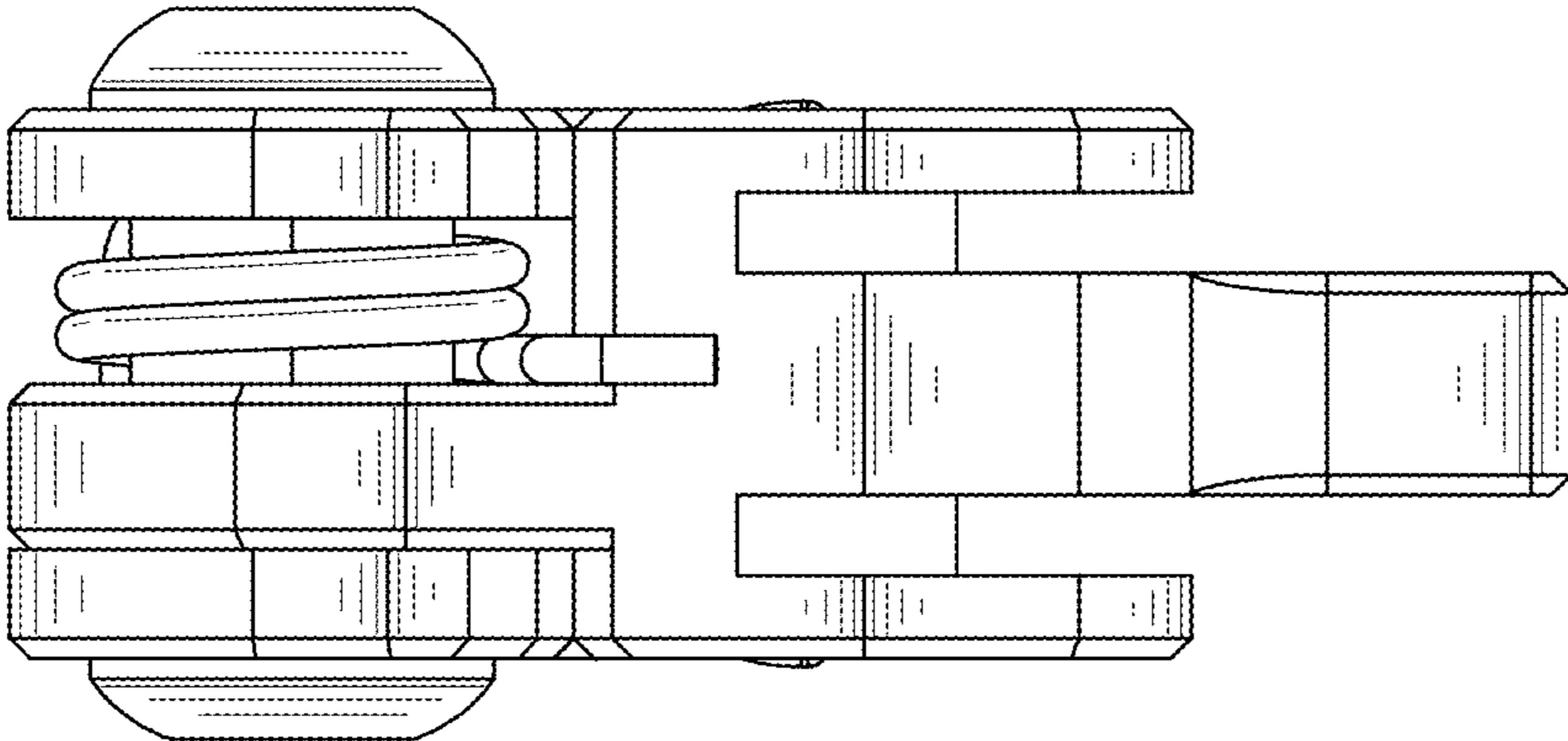


FIG.4

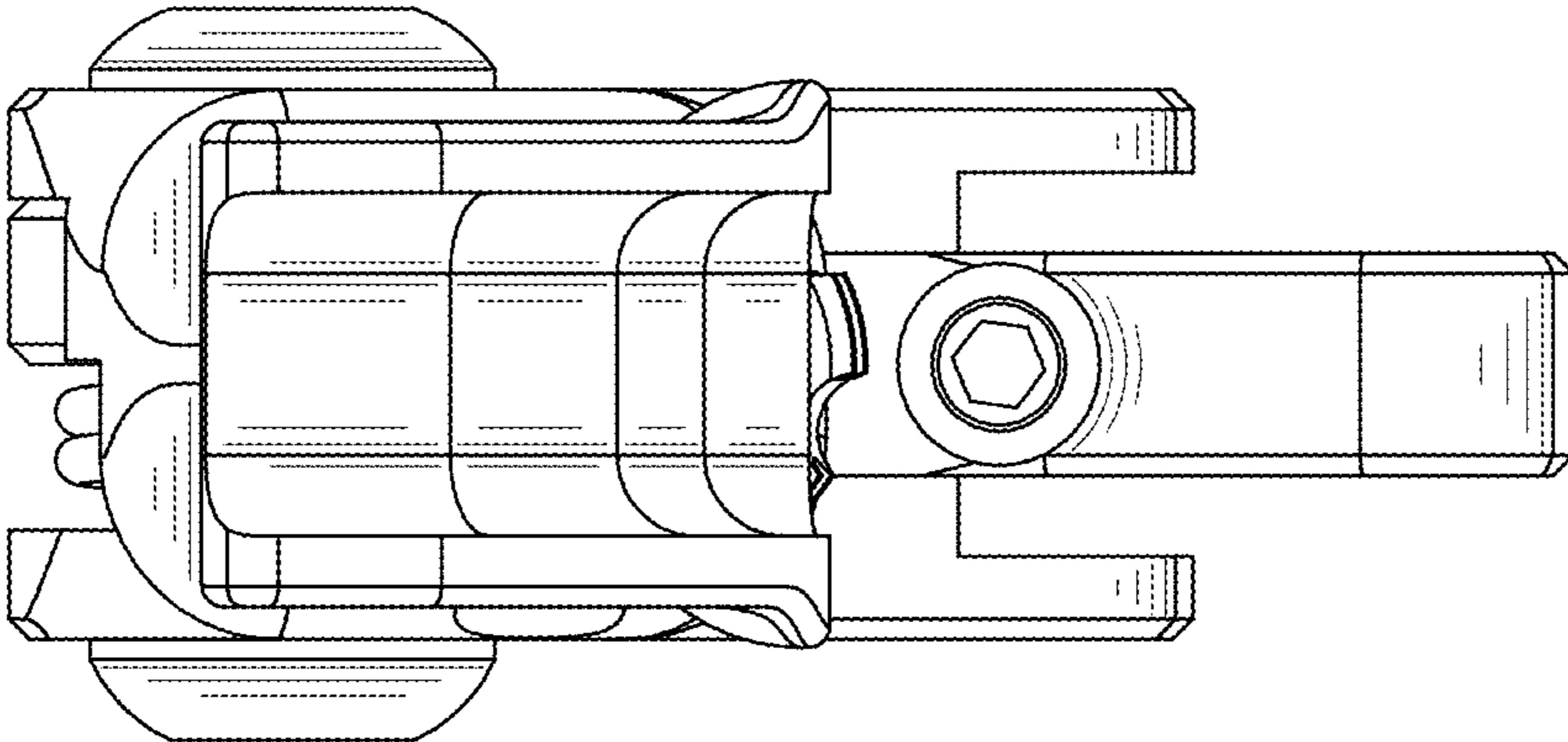


FIG.5

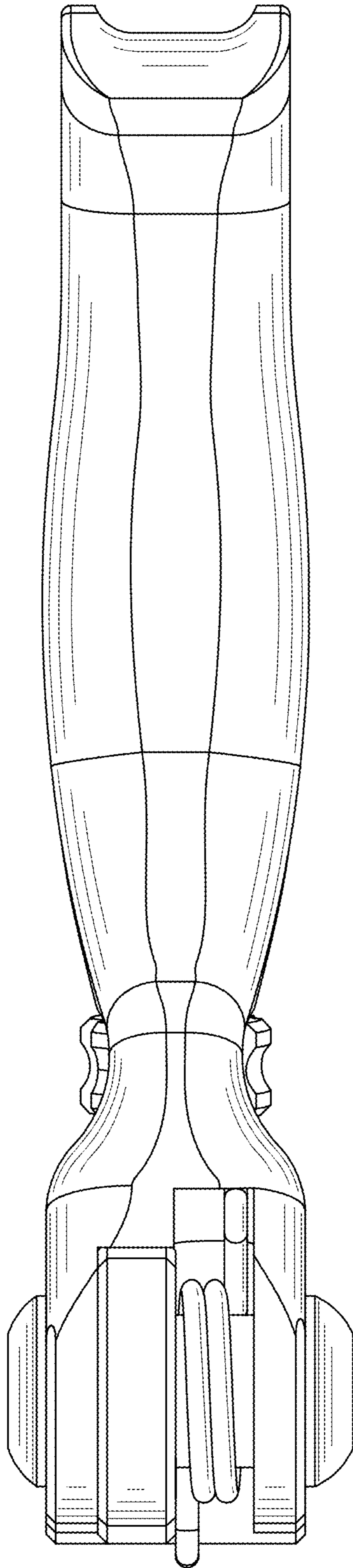


FIG.6

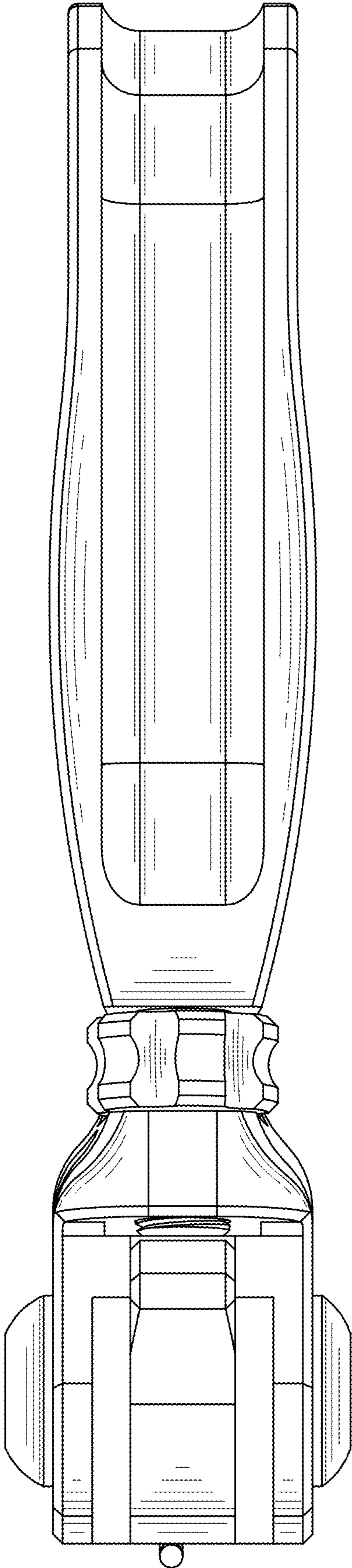


FIG.7



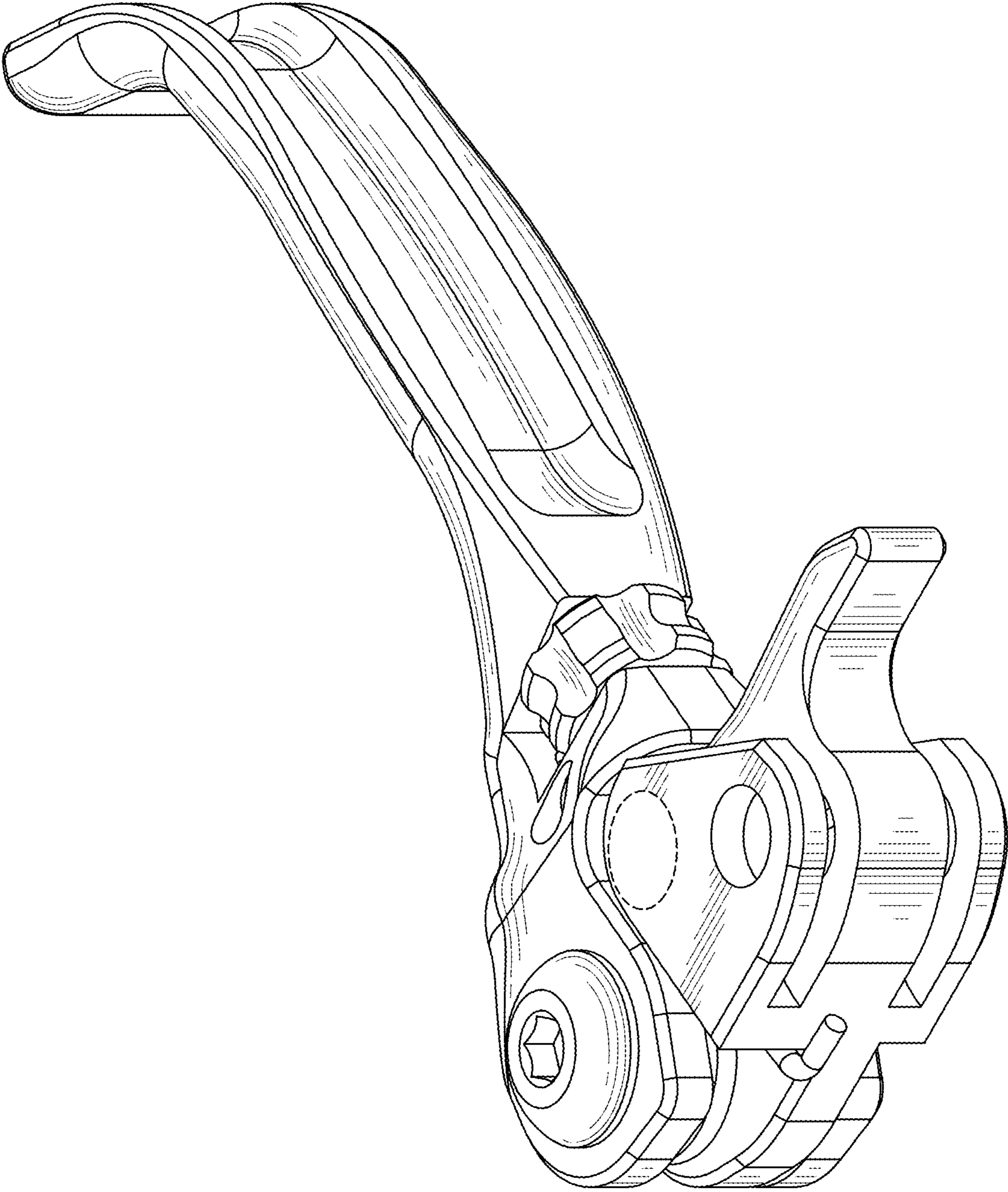


FIG.8