



US00D911891S

(12) **United States Design Patent**
Blades-Nixon

(10) **Patent No.:** **US D911,891 S**

(45) **Date of Patent:** **** Mar. 2, 2021**

- (54) **SET OF PEDALS**
- (71) Applicant: **TESLA, INC.**, Palo Alto, CA (US)
- (72) Inventor: **Peter Blades-Nixon**, Long Beach, CA (US)
- (73) Assignee: **Tesla, Inc.**, Palo Alto, CA (US)
- (**) Term: **15 Years**
- (21) Appl. No.: **29/670,455**
- (22) Filed: **Nov. 15, 2018**
- (51) **LOC (13) Cl.** **12-16**
- (52) **U.S. Cl.**
USPC **D12/174**
- (58) **Field of Classification Search**
USPC D12/125, 174, 400
CPC B60K 20/02; B60K 20/021; B60K 20/04;
B60Q 1/441; B60R 21/09; B60R 7/06;
B60R 7/065; F16H 19/005; G05G 1/30;
G05G 1/44; G05G 1/445; G05G 1/506;
G05G 1/015; G05G 1/36; G05G 1/405;
G05G 1/305; G05G 1/38; G05G 1/483;
G05G 5/03; G05G 7/04
See application file for complete search history.

6,962,094	B2 *	11/2005	Porter	G05G 1/405 74/512
7,059,213	B2 *	6/2006	Burgstaler	B60T 7/065 74/512
7,296,494	B2 *	11/2007	Caba	B60K 26/02 74/513
7,530,289	B2 *	5/2009	Willemsen	G05G 1/015 74/512
7,750,258	B2 *	7/2010	Lee	B60K 26/021 200/61.89
D626,901	S *	11/2010	Fallot	D12/174
D629,342	S *	12/2010	Fallot	D12/174
8,434,385	B2 *	5/2013	Mo	G05G 1/506 74/512
D701,808	S *	4/2014	Geberth	D12/174
9,310,826	B2 *	4/2016	Wurn	G05G 1/445
9,921,604	B2 *	3/2018	Byun	G05G 1/44
2015/0241904	A1 *	8/2015	Hayashihara	G05G 1/36 74/560

(Continued)

Primary Examiner — Susan E Krakower
Assistant Examiner — Jerry Shiu-an-Hua Hsu
 (74) *Attorney, Agent, or Firm* — Knobbe, Martens, Olson & Bear, LLP

(57) **CLAIM**

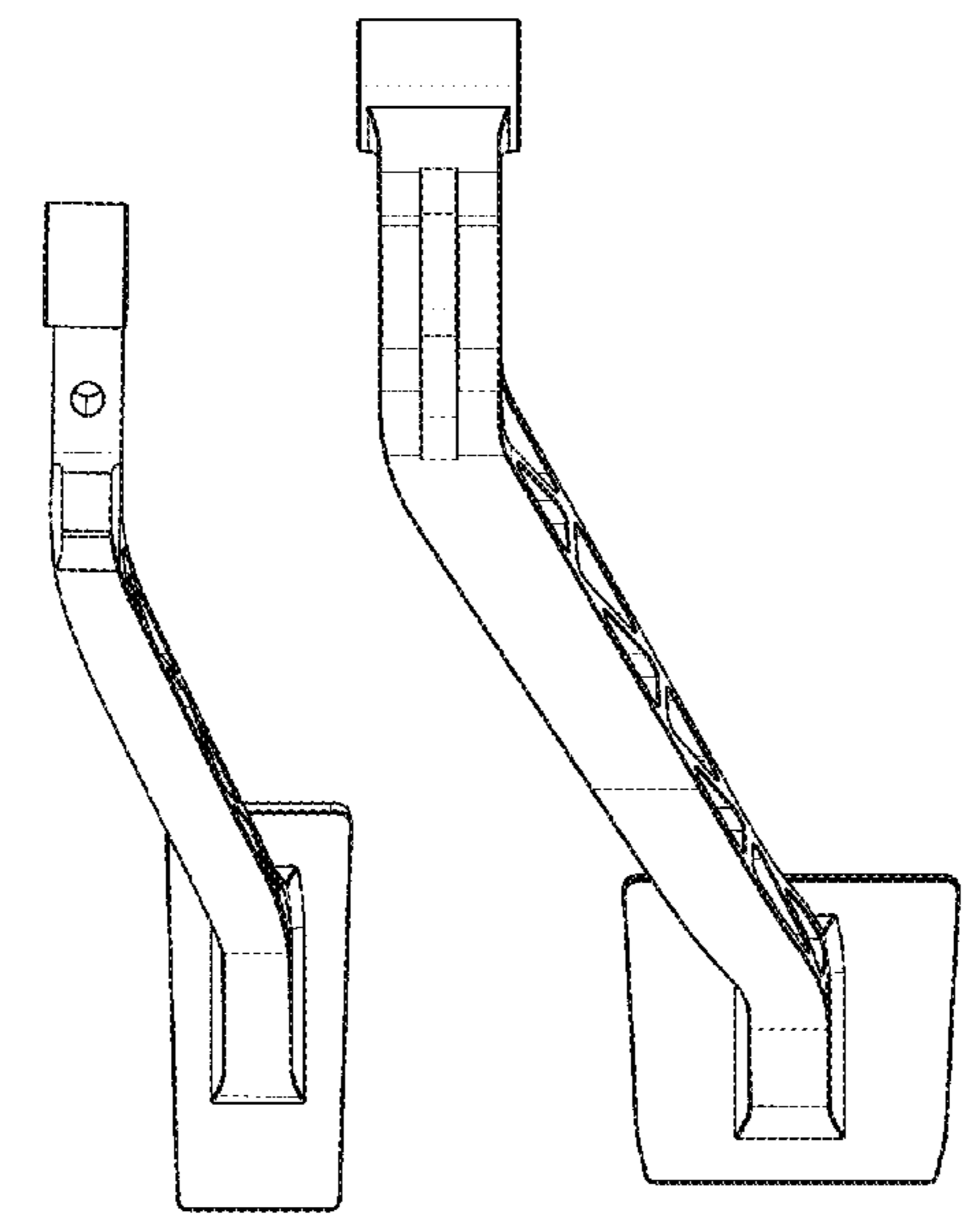
The ornamental design for a set of pedals, as shown and described.

DESCRIPTION

FIG. 1 is a back view of a set of pedals showing our new design.
 FIG. 2 is a bottom view of the pedals of FIG. 1, shown enlarged for ease of illustration.
 FIG. 3 is a front view of the pedals of FIG. 1.
 FIG. 4 is an isometric view of the pedals of FIG. 1.
 FIG. 5 is a left-side view of the pedals of FIG. 1.
 FIG. 6 is a right-side view of the pedals of FIG. 1; and,
 FIG. 7 is a top view of the pedals of FIG. 1, shown enlarged for ease of illustration.

1 Claim, 7 Drawing Sheets

- (56) **References Cited**
U.S. PATENT DOCUMENTS
- 4,533,028 A * 8/1985 Taig B60T 7/06
192/13 A
- 4,958,607 A * 9/1990 Lundberg B60K 26/02
123/399
- 5,533,421 A * 7/1996 Damerow G05G 1/483
74/560
- 5,722,302 A * 3/1998 Rixon B60K 26/021
74/512
- D466,058 S * 11/2002 Prather D12/174
- 6,591,711 B2 * 7/2003 Porter G05G 1/305
74/512



(56)

References Cited

U.S. PATENT DOCUMENTS

2016/0101694 A1* 4/2016 Hallberg G05G 1/44
2016/0146315 A1* 5/2016 Nesbitt F16H 19/005
74/501.6
2017/0168519 A1* 6/2017 Alf B60K 26/02
2018/0232002 A1* 8/2018 Brown G05G 1/445
2019/0050018 A1* 2/2019 Henrikson G05G 1/38
2019/0278318 A1* 9/2019 Park G05G 5/03
2019/0322250 A1* 10/2019 Jarjoura B60R 21/09

* cited by examiner

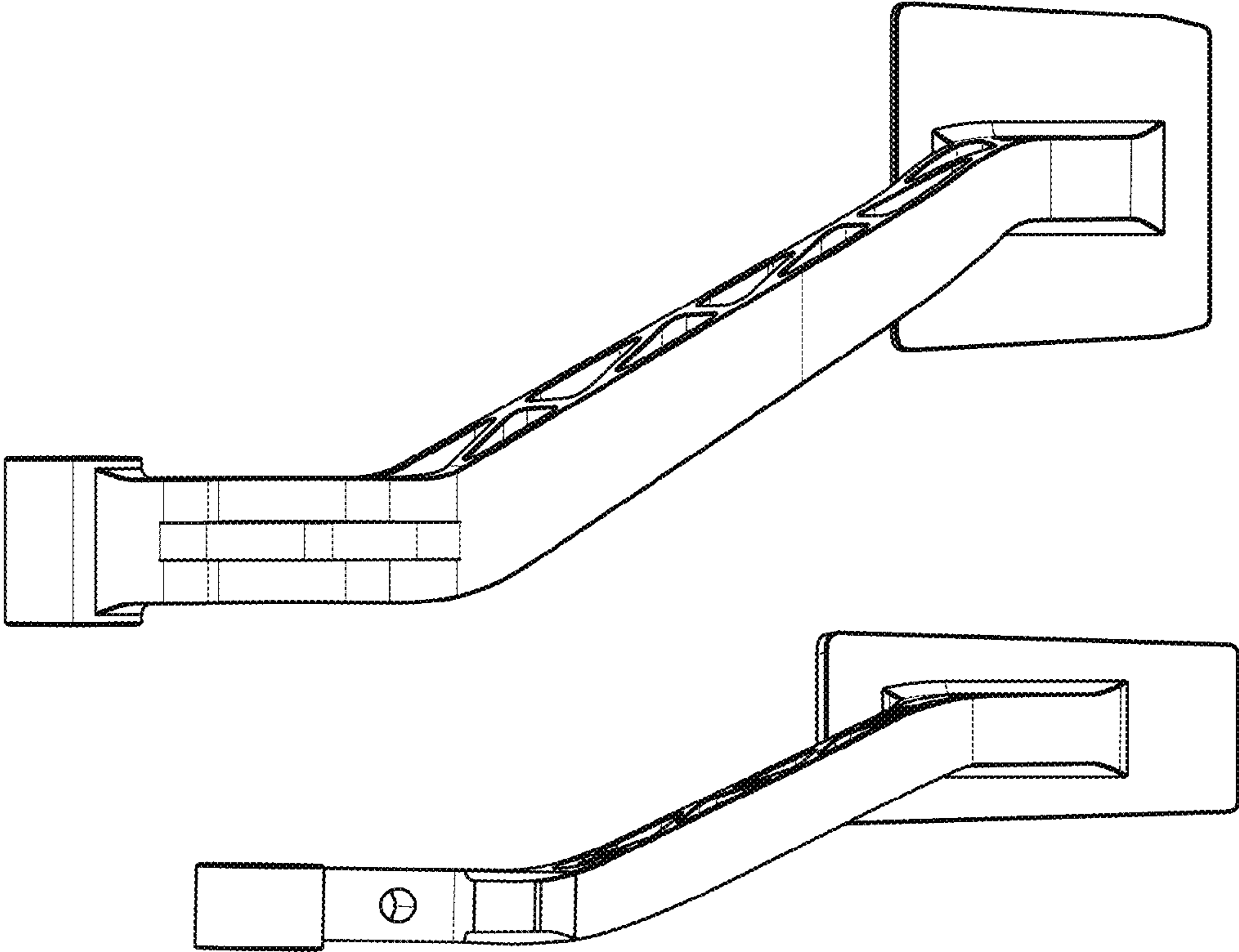


FIG. 1

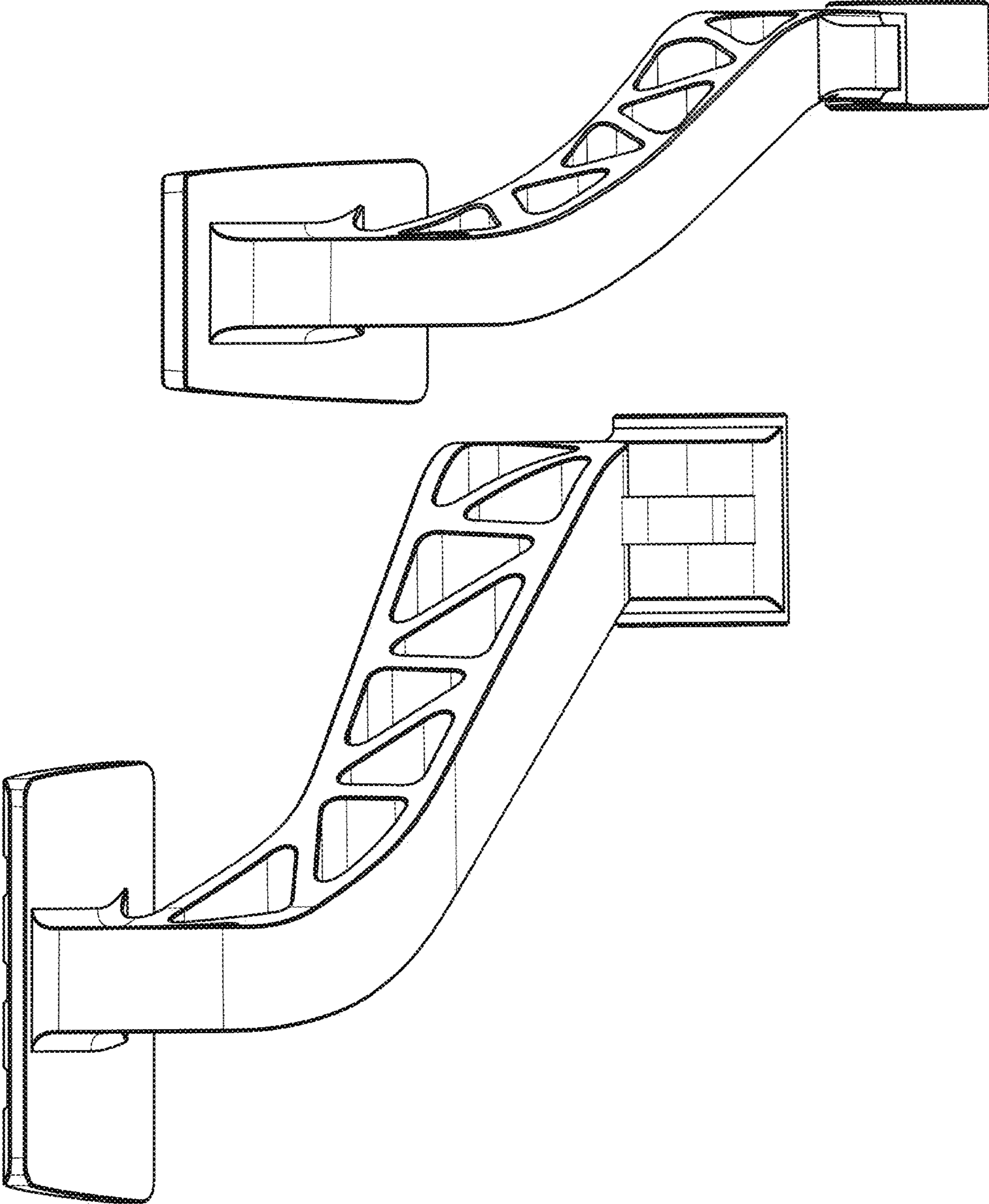


FIG. 2

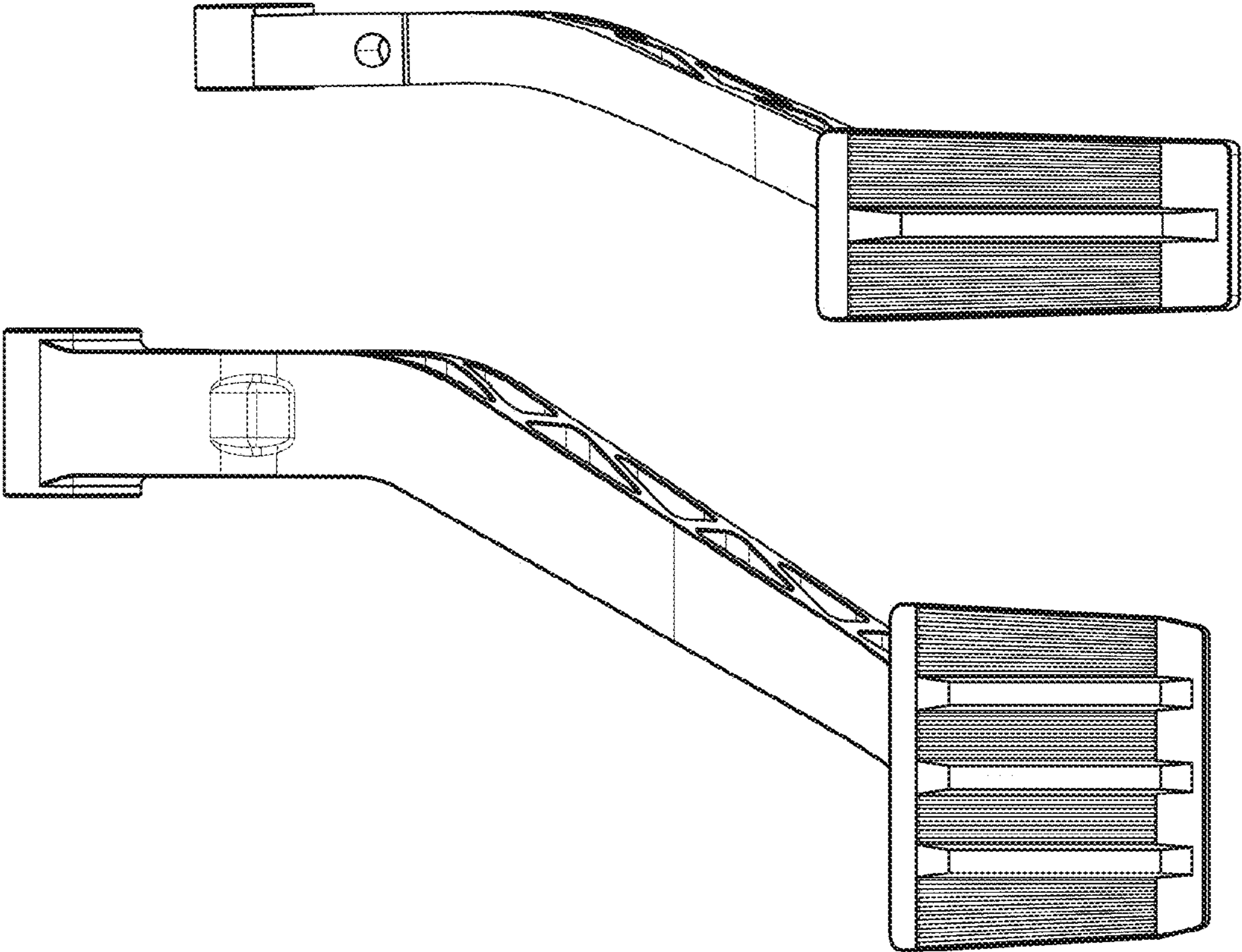


FIG. 3

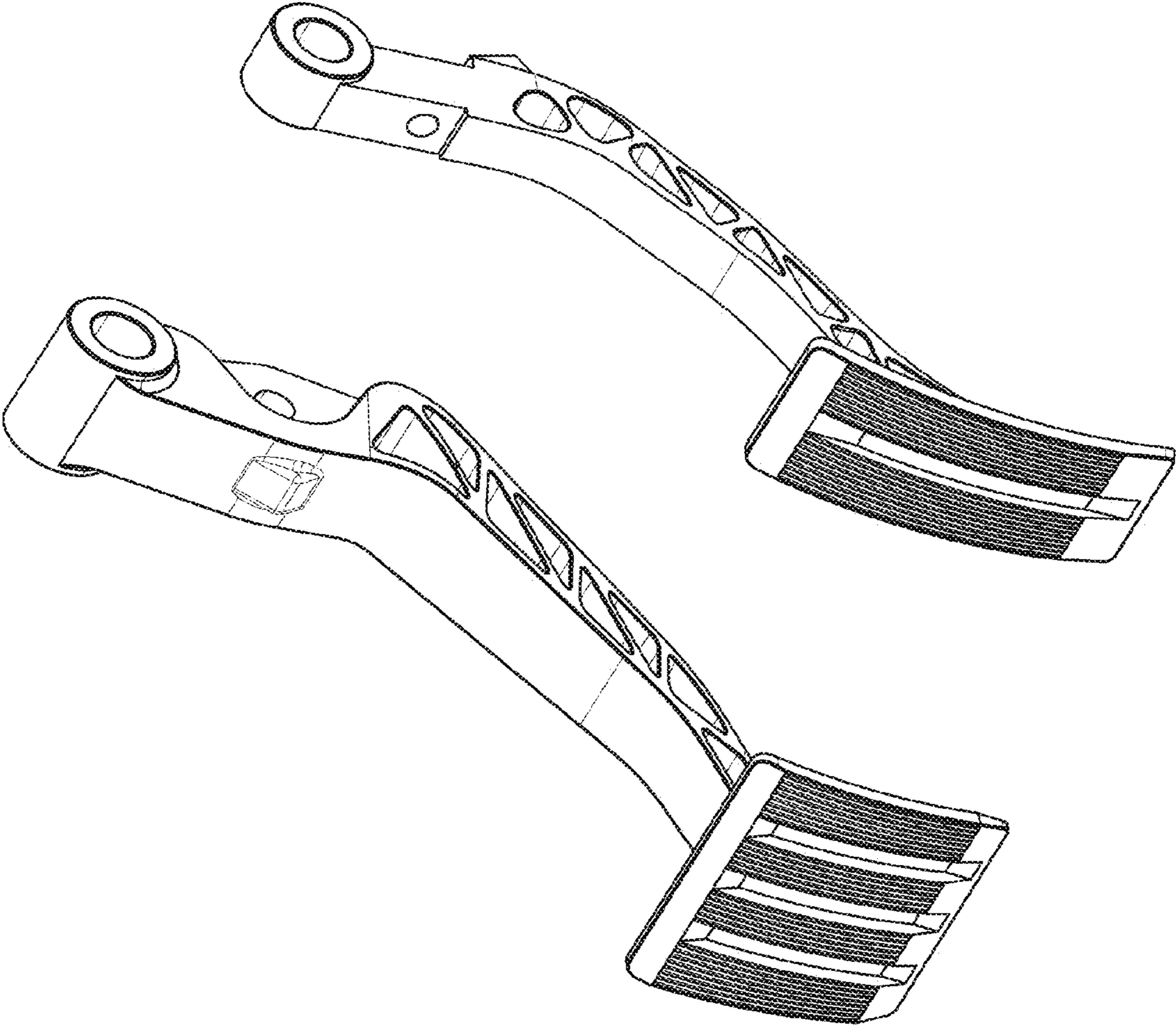


FIG. 4

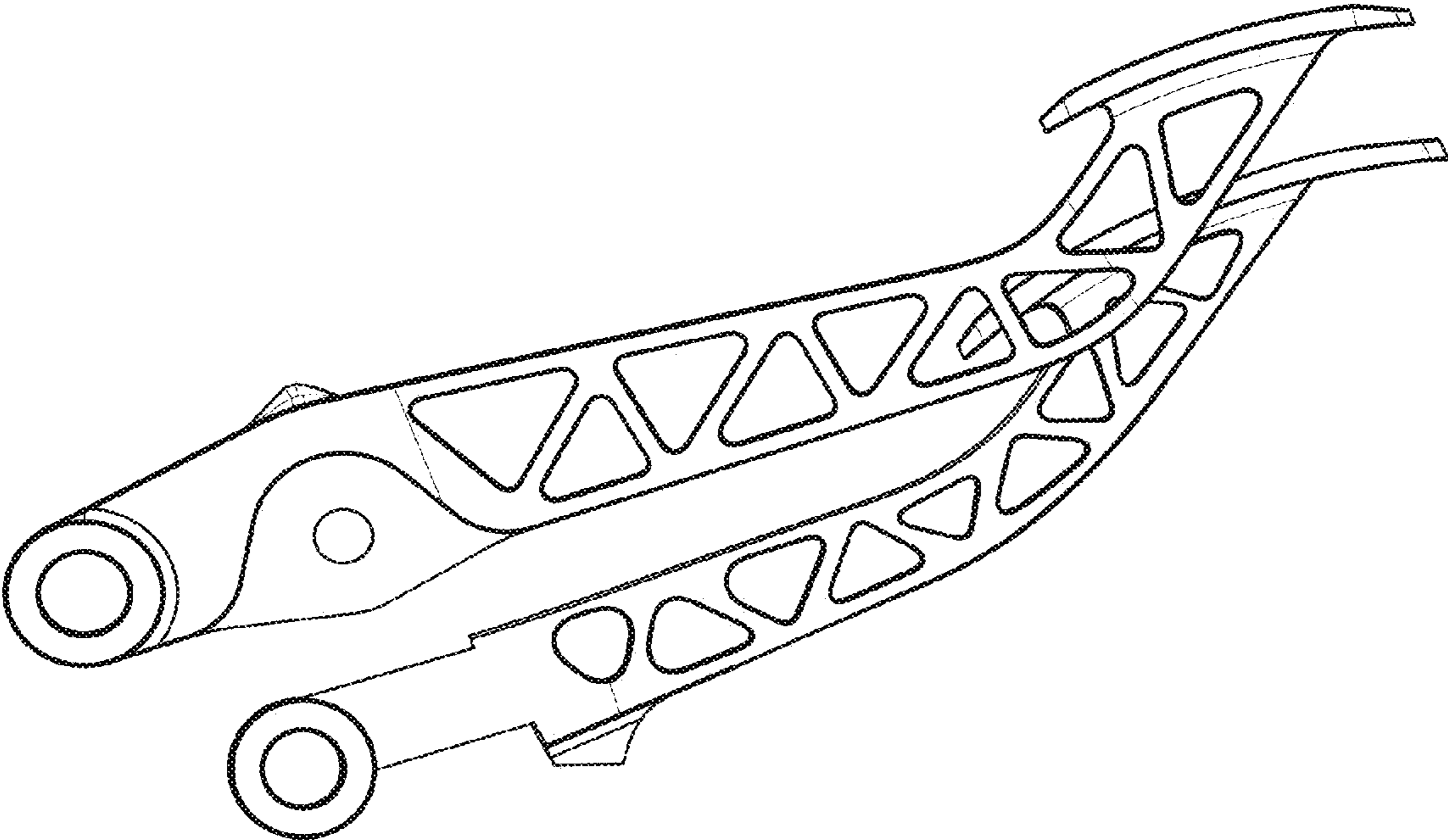


FIG. 5

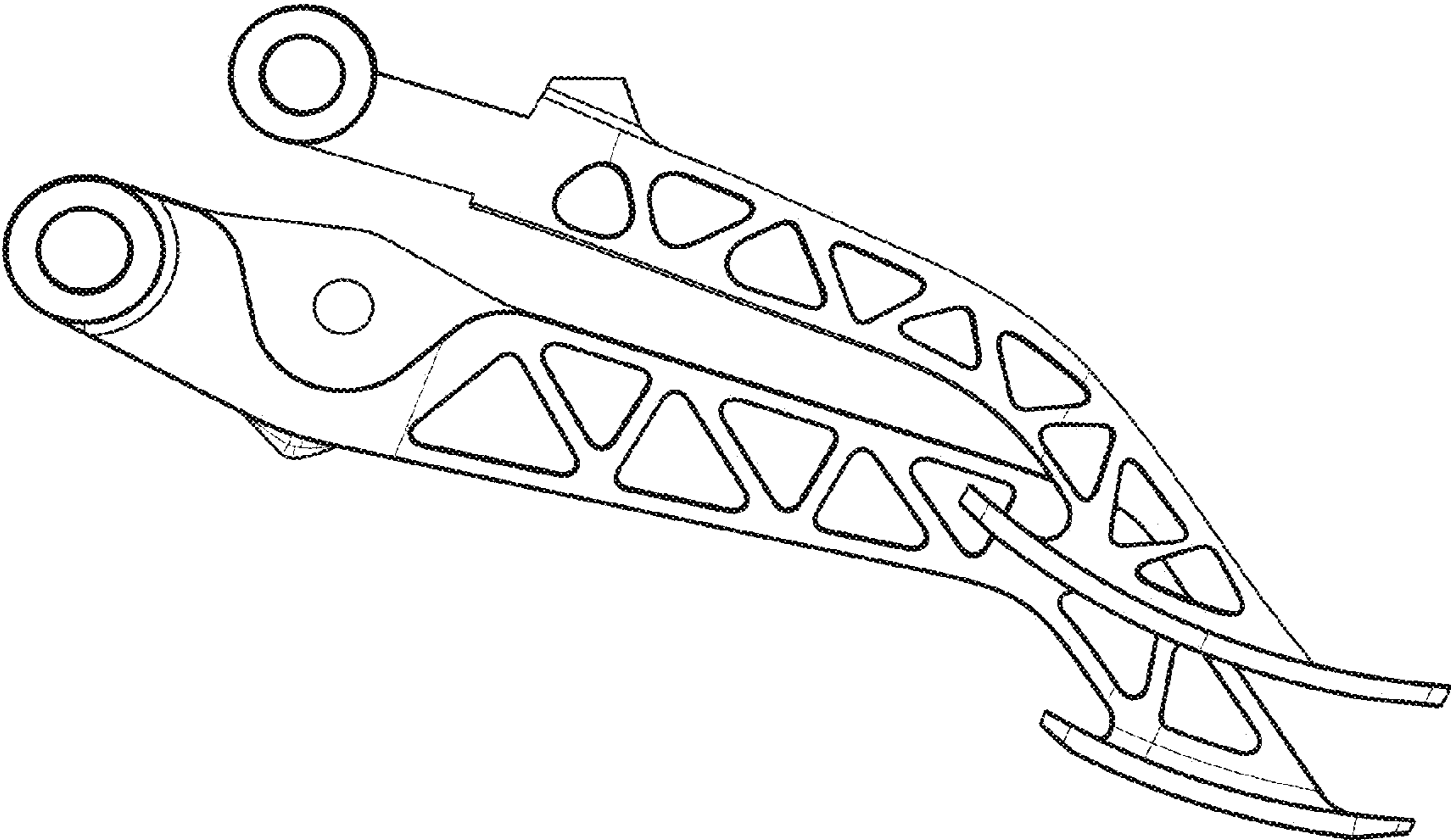


FIG. 6

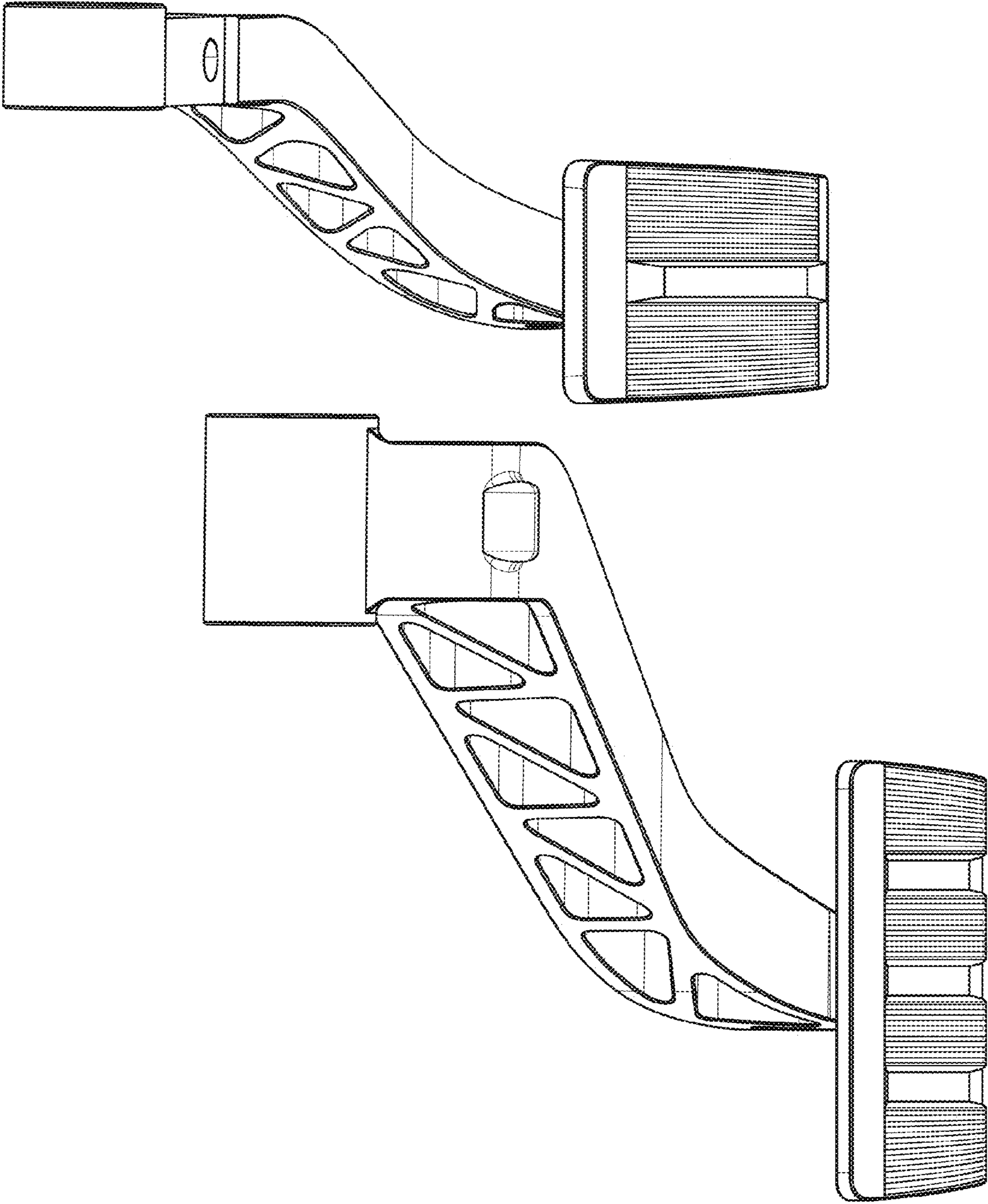


FIG. 7