



US00D911883S

(12) **United States Design Patent** (10) **Patent No.:** **US D911,883 S**  
**Bae** (45) **Date of Patent:** **\*\* Mar. 2, 2021**

(54) **FRONT GRILLE FOR AUTOMOBILE**

(71) Applicant: **HONDA MOTOR CO., LTD.**, Tokyo (JP)

(72) Inventor: **Sungjun Bae**, Wako (JP)

(73) Assignee: **HONDA MOTOR CO., LTD.**, Tokyo (JP)

(\*\*) Term: **15 Years**

(21) Appl. No.: **29/692,626**

(22) Filed: **May 28, 2019**

(30) **Foreign Application Priority Data**

Nov. 30, 2018 (JP) ..... JP2018-026056

(51) **LOC (13) Cl.** ..... **12-16**

(52) **U.S. Cl.**  
USPC ..... **D12/163**

(58) **Field of Classification Search**  
USPC ..... D12/169, 196, 86, 90-92, 163, 190, 98,  
D12/164; 293/102, 113, 115, 117, 120,  
293/193.11; 296/180.1, 180.2; 180/68.1,  
180/68.6

CPC ..... B60R 19/52; B60K 11/08; B62D 25/08;  
B62B 9/16

See application file for complete search history.

(56) **References Cited**

**U.S. PATENT DOCUMENTS**

D600,170 S \* 9/2009 Endoh ..... D12/163  
D702,601 S \* 4/2014 Wada ..... D12/163  
D716,197 S \* 10/2014 Terui ..... D12/163  
D717,217 S \* 11/2014 Murakawa ..... D12/163  
D720,264 S \* 12/2014 Hanaoka ..... D12/163  
D721,020 S \* 1/2015 Hanaoka ..... D12/163  
D722,543 S \* 2/2015 Kato ..... D12/163

D738,798 S \* 9/2015 Morikawa ..... D12/163  
D752,484 S \* 3/2016 Davidson ..... D12/163  
D752,485 S \* 3/2016 Chung ..... D12/163  
D759,551 S \* 6/2016 Nakahara ..... D12/163  
D764,981 S \* 8/2016 Tsutamori ..... D12/163  
D775,553 S \* 1/2017 Ishii ..... D12/163  
D797,013 S \* 9/2017 Sahara ..... D12/163  
D797,014 S \* 9/2017 Park ..... D12/163  
D817,234 S \* 5/2018 Park ..... D12/163  
D819,507 S \* 6/2018 Bridan ..... D12/163  
D819,511 S \* 6/2018 Ishii ..... D12/163  
D821,933 S \* 7/2018 Ishii ..... D12/163  
D822,545 S \* 7/2018 Sahara ..... D12/163  
D824,813 S \* 8/2018 Miyazawa ..... D12/163  
D844,501 S \* 4/2019 Tamura ..... D12/163  
D844,502 S \* 4/2019 Wada ..... D12/163  
D867,229 S \* 11/2019 Morikawa ..... D12/163  
D874,989 S \* 2/2020 Utsunomiya ..... D12/163  
D879,674 S \* 3/2020 Melville-Brown ..... D12/163

\* cited by examiner

*Primary Examiner* — Melody N Brown

(74) *Attorney, Agent, or Firm* — Westerman, Hattori,  
Daniels & Adrian, LLP

(57) **CLAIM**

The ornamental design for a front grille for automobile, as shown and described.

**DESCRIPTION**

FIG. 1 is a front perspective view of a front grille for automobile showing my new design;  
FIG. 2 is a front elevation view thereof;  
FIG. 3 is a right side elevation view thereof;  
FIG. 4 is a left side elevation view thereof; and,  
FIG. 5 is a top plan view thereof.

The broken lines shown in the drawings illustrate portions of the front grille for automobile that form no part of the claimed design.

**1 Claim, 5 Drawing Sheets**

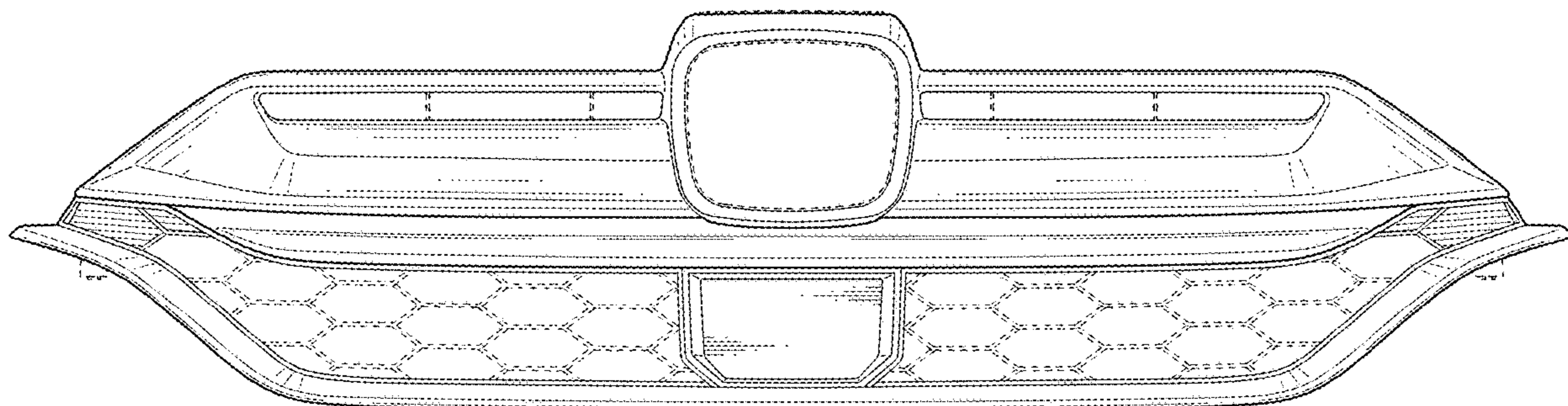


FIG. 1

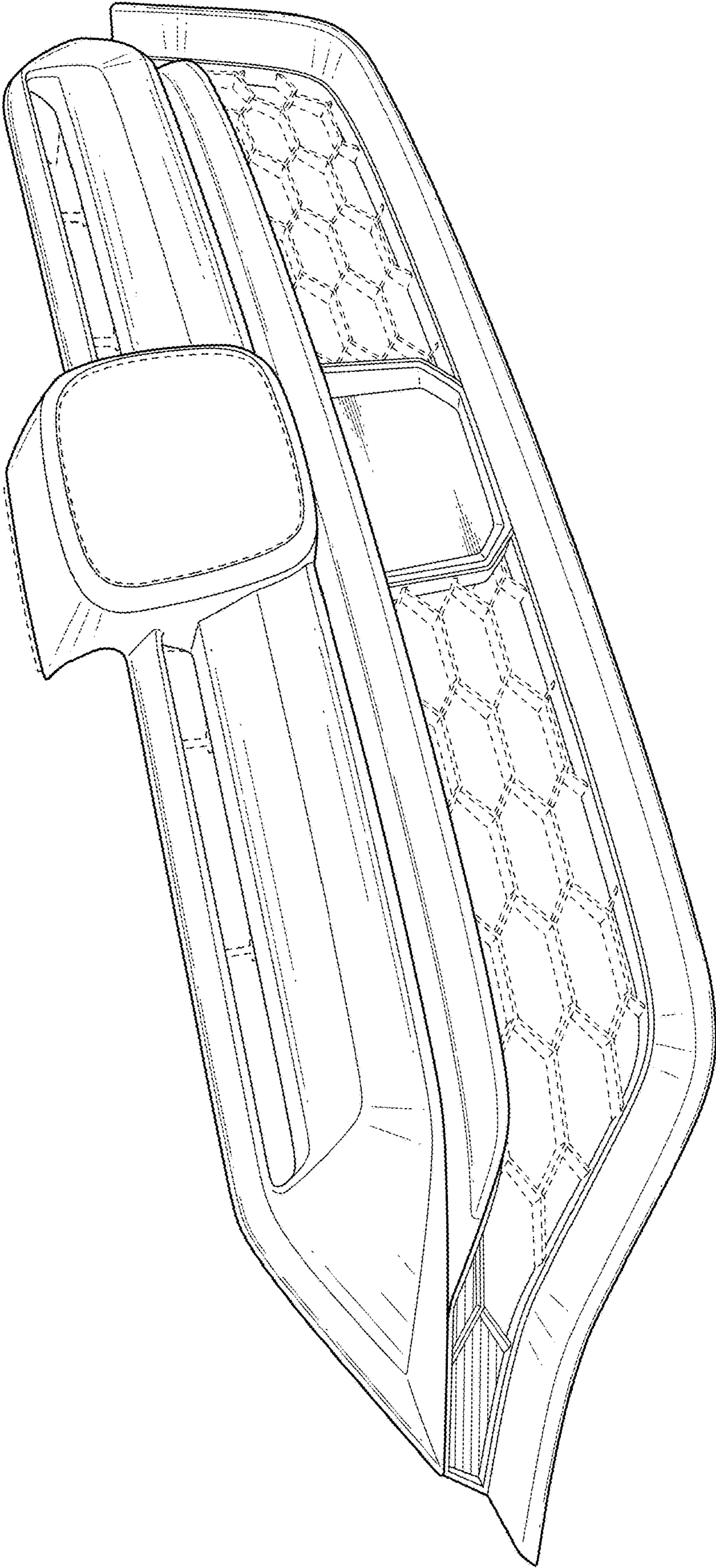


FIG. 2

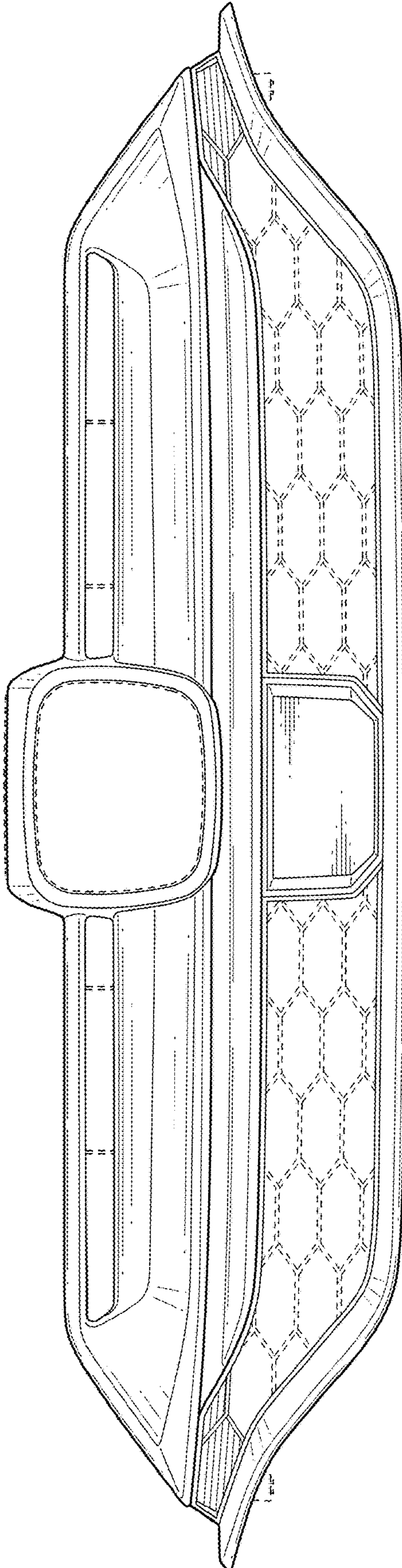


FIG. 3

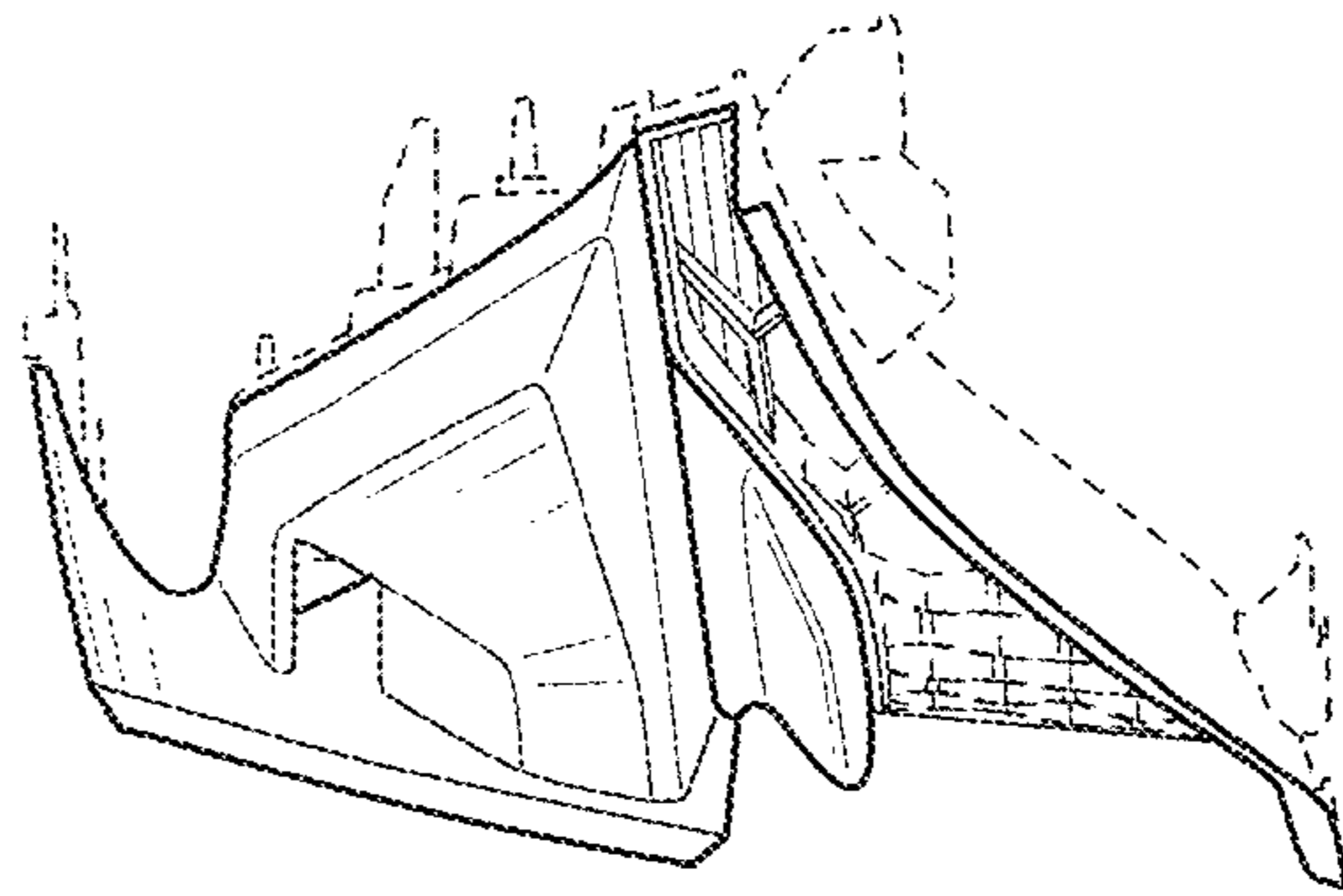


FIG. 4

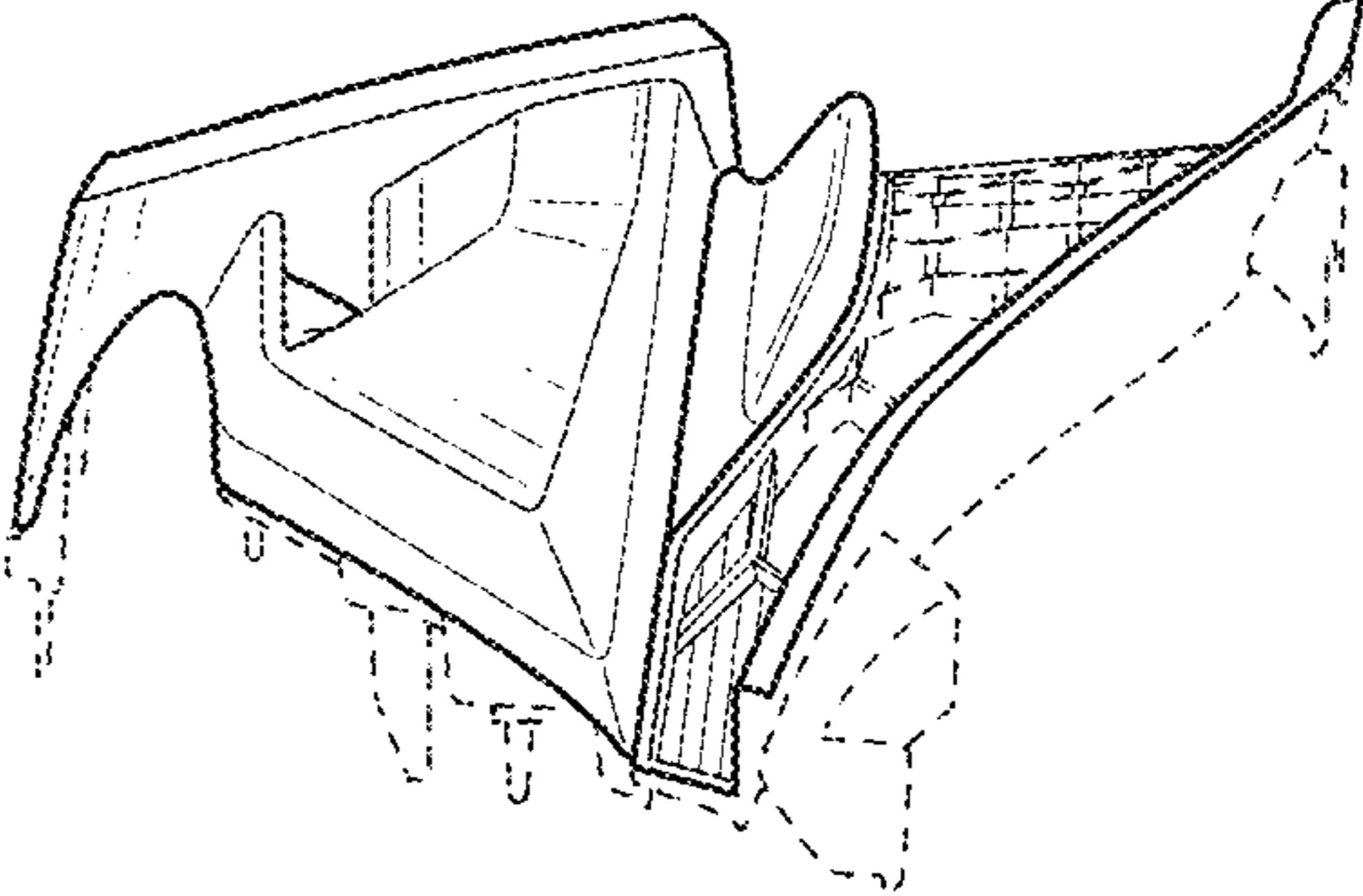


FIG. 5

