



US00D911882S

(12) **United States Design Patent**  
**Patel**

(10) **Patent No.:** **US D911,882 S**

(45) **Date of Patent:** **\*\* Mar. 2, 2021**

(54) **FRONT GRILLE FOR A VEHICLE**

(71) Applicant: **Jaguar Land Rover Limited**, Coventry (GB)

(72) Inventor: **Paven Patel**, Coventry (GB)

(73) Assignee: **Jaguar Land Rover Limited**, Whitley Coventry (GB)

(\*\*) Term: **15 Years**

(21) Appl. No.: **29/687,708**

(22) Filed: **Apr. 15, 2019**

(30) **Foreign Application Priority Data**

Oct. 25, 2018 (EM) ..... 005808441

(51) **LOC (13) Cl.** ..... **12-16**

(52) **U.S. Cl.**  
USPC ..... **D12/163**

(58) **Field of Classification Search**  
USPC ..... D12/163, 196, 86, 90-92, 169, 190, 98,  
D12/164; 293/102, 113, 115, 117, 120,  
293/193.11; 296/180.1, 180.2; 180/68.1,  
180/68.6

CPC ..... B60R 19/52; B60K 11/08; B62D 25/08;  
B62B 9/16

See application file for complete search history.

(56) **References Cited**

**U.S. PATENT DOCUMENTS**

D689,414 S \* 9/2013 Endo ..... D12/163  
D727,220 S \* 4/2015 Rugar ..... D12/163  
D731,922 S \* 6/2015 Beaven ..... D12/91  
D736,682 S \* 8/2015 Burki ..... D12/163  
D740,724 S \* 10/2015 Burki ..... D12/163  
D751,470 S \* 3/2016 Buck ..... D12/163  
D777,065 S \* 1/2017 Patel ..... D12/163

D803,109 S \* 11/2017 Carter ..... D12/163  
D807,797 S \* 1/2018 Peat ..... D12/163  
D852,686 S \* 7/2019 Smith ..... D12/163  
D852,688 S \* 7/2019 Chan ..... D12/163  
D852,690 S \* 7/2019 Buck ..... D12/163  
D857,569 S \* 8/2019 Beaven ..... D12/163

\* cited by examiner

*Primary Examiner* — Melody N Brown

(74) *Attorney, Agent, or Firm* — Wood Herron & Evans LLP

(57) **CLAIM**

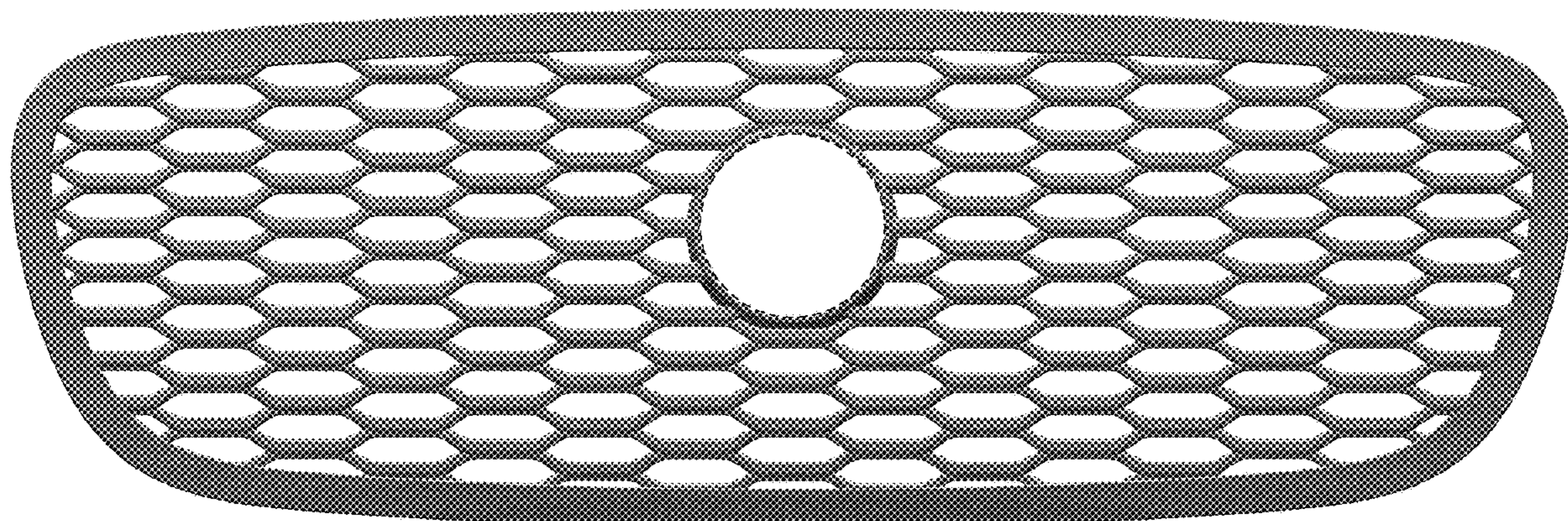
The ornamental design for a front grille for a vehicle, as shown and described.

**DESCRIPTION**

FIG. 1 is a top, front and left side perspective view of a grille for a vehicle showing my new design;  
FIG. 2 is a left, front perspective view thereof;  
FIG. 3 is a bottom, rear and right side perspective view thereof;  
FIG. 4 is a right, rear perspective view thereof;  
FIG. 5 is a front elevational view thereof;  
FIG. 6 is a rear elevational view thereof;  
FIG. 7 is a left side elevational view thereof;  
FIG. 8 is a right side elevational view thereof;  
FIG. 9 is a top plan view thereof;  
FIG. 10 is a bottom plan view thereof; and,  
FIG. 11 is another right elevational view thereof shown on a vehicle.

The portions of the vehicle shown in the FIG. 11 drawing view in de-emphasized and half-tone form outside the broken lines and the broken lines representing the boundary and configuration of what is claimed as the design are for environmental and illustrative purposes and form no part of the claimed design.

**1 Claim, 9 Drawing Sheets**



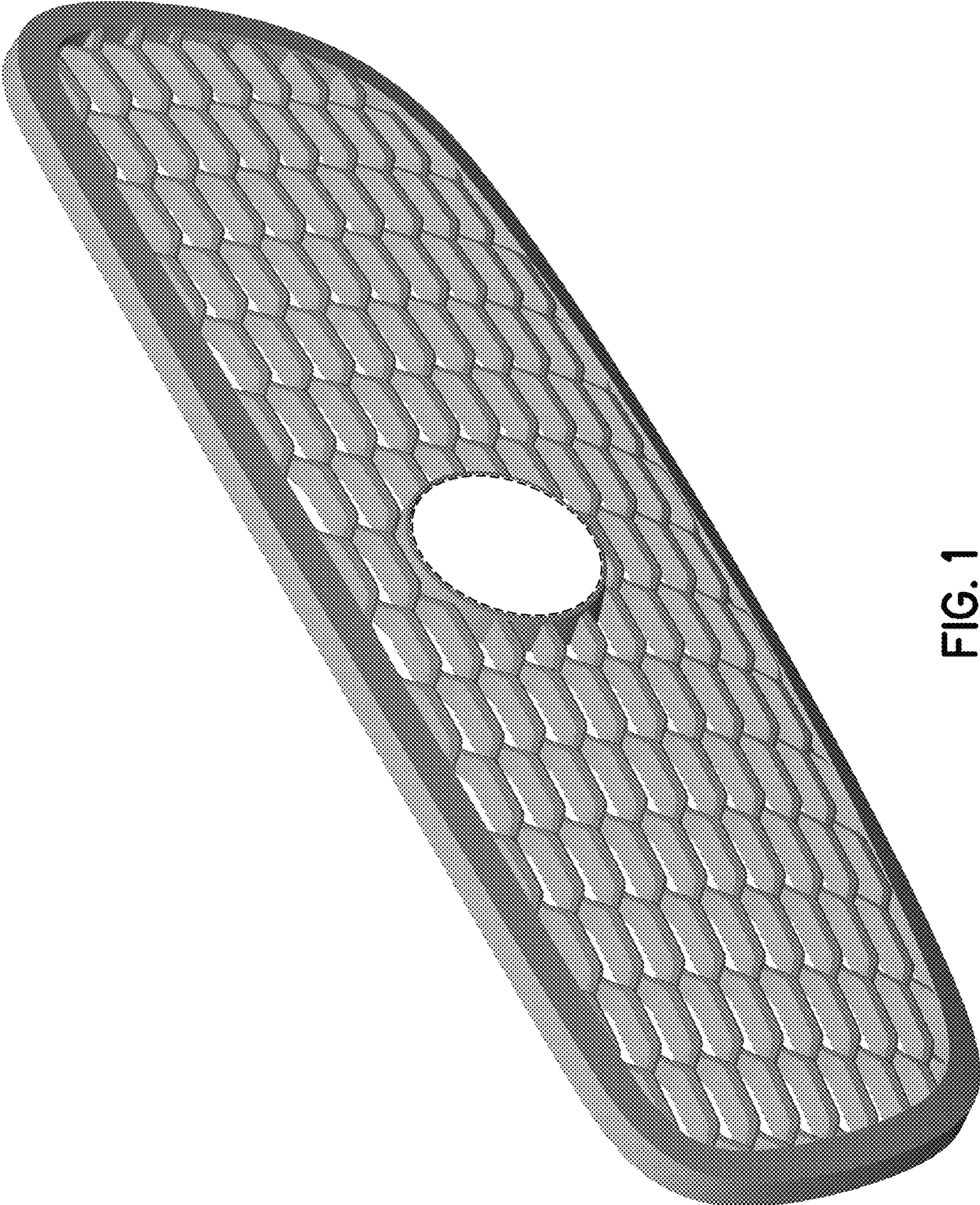


FIG. 1

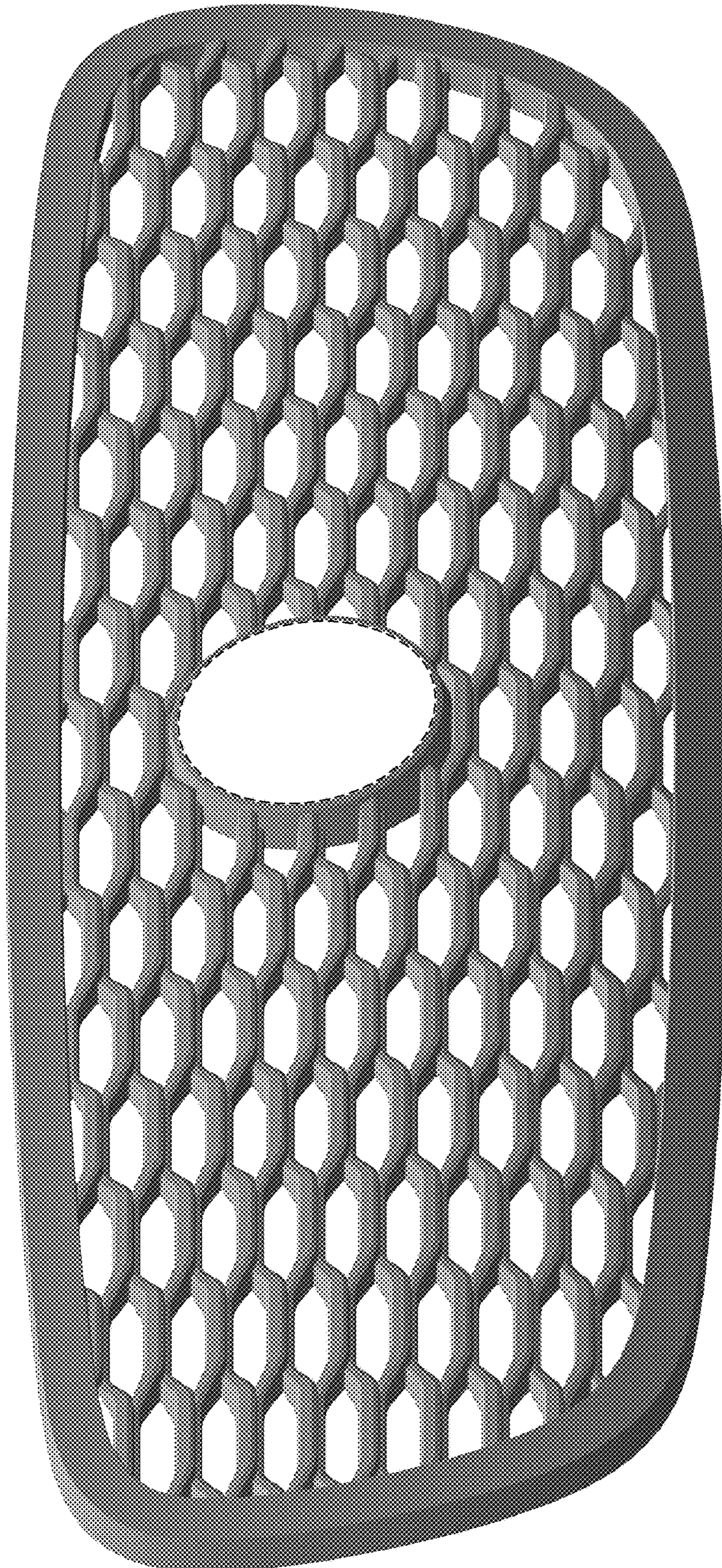


FIG. 2

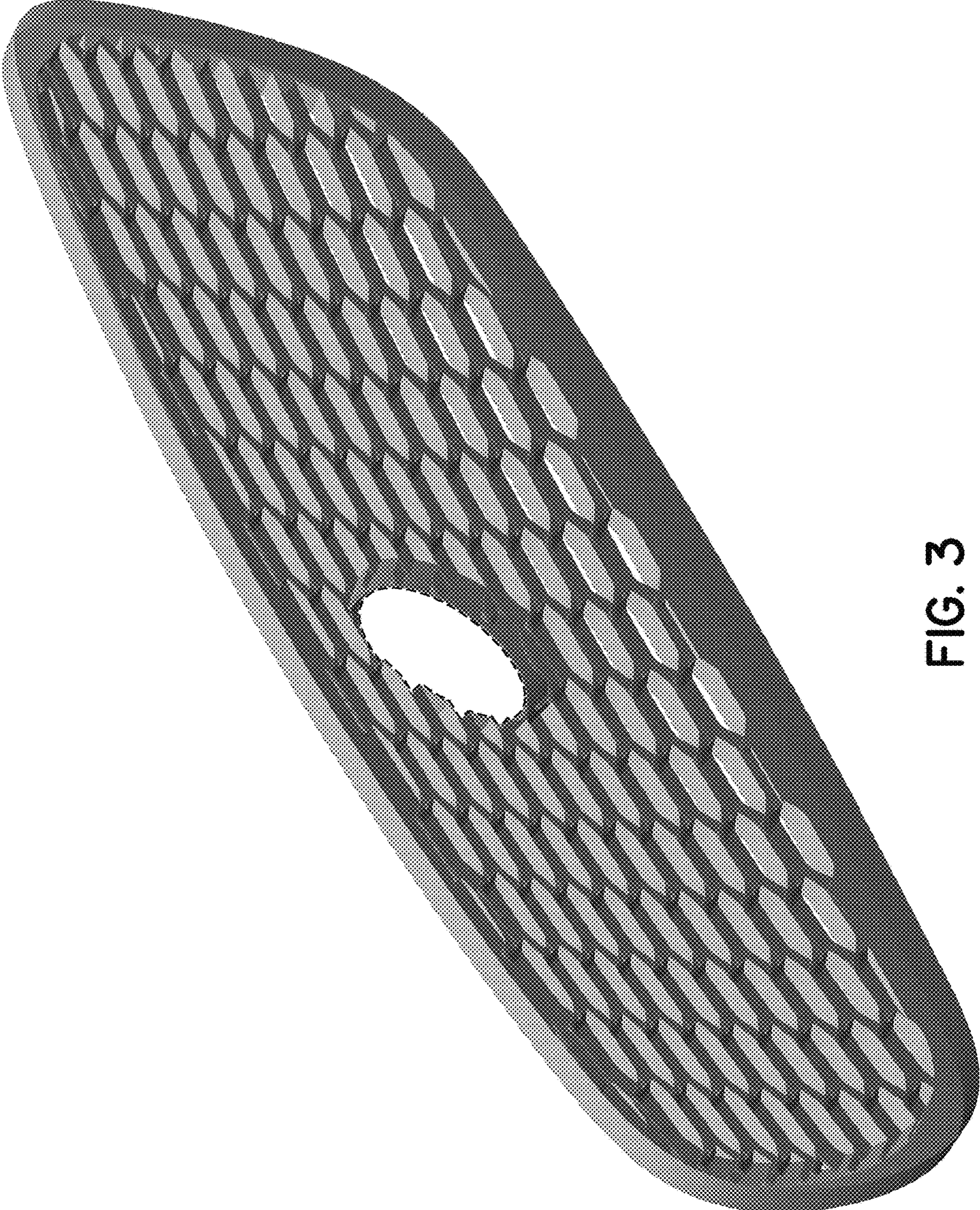


FIG. 3

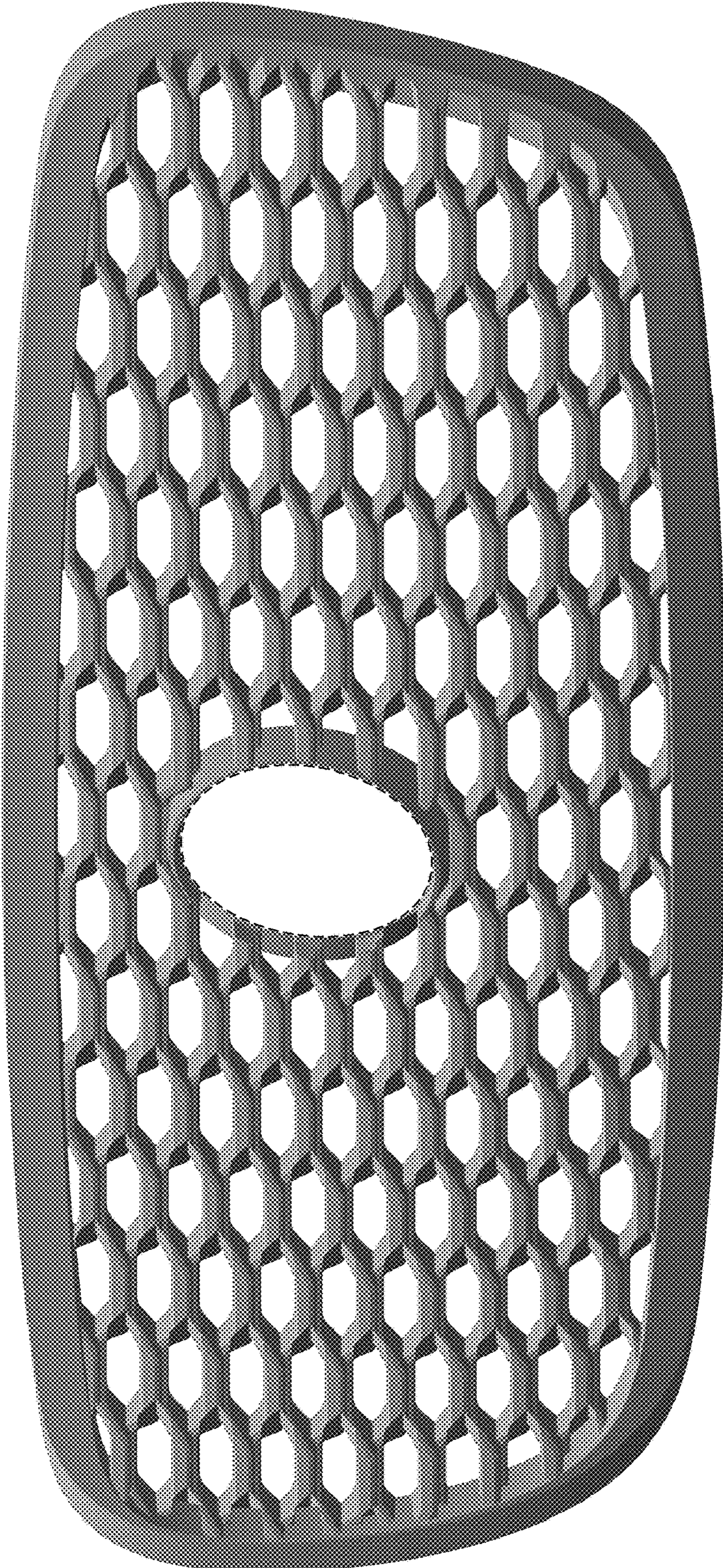


FIG. 4

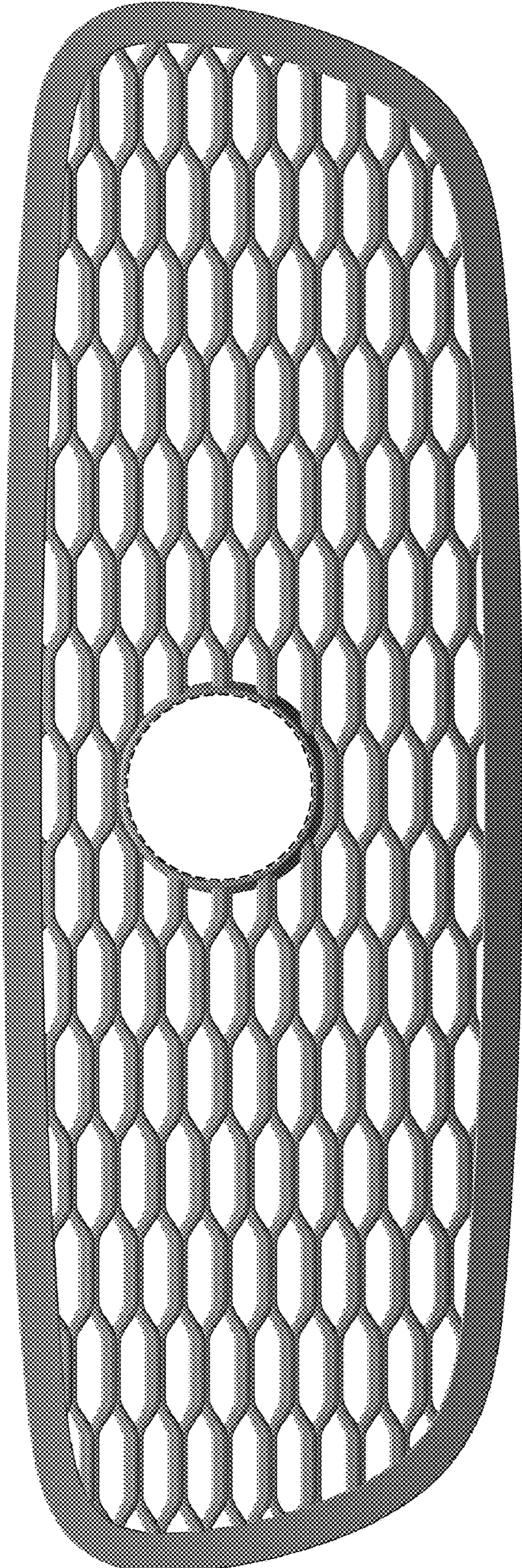


FIG. 5

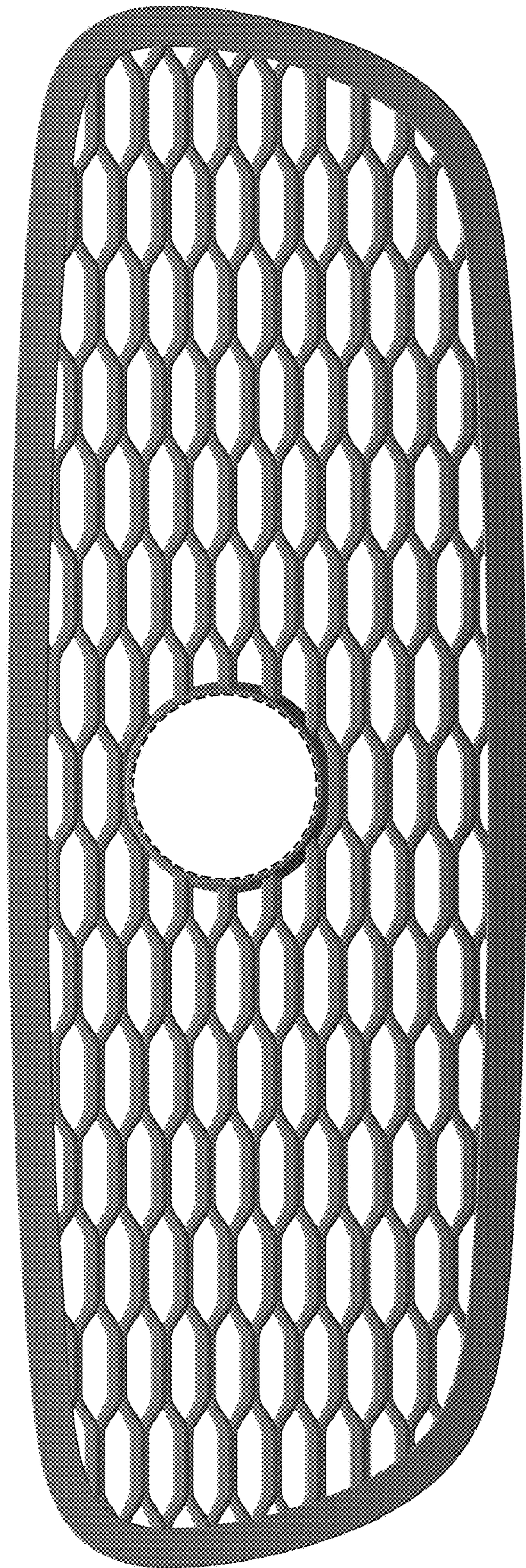


FIG. 6

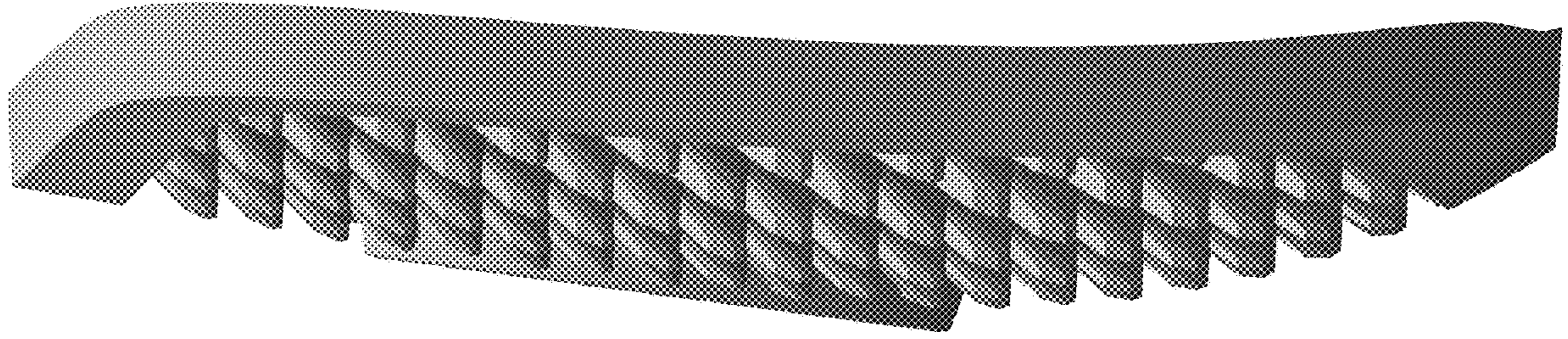


FIG. 8

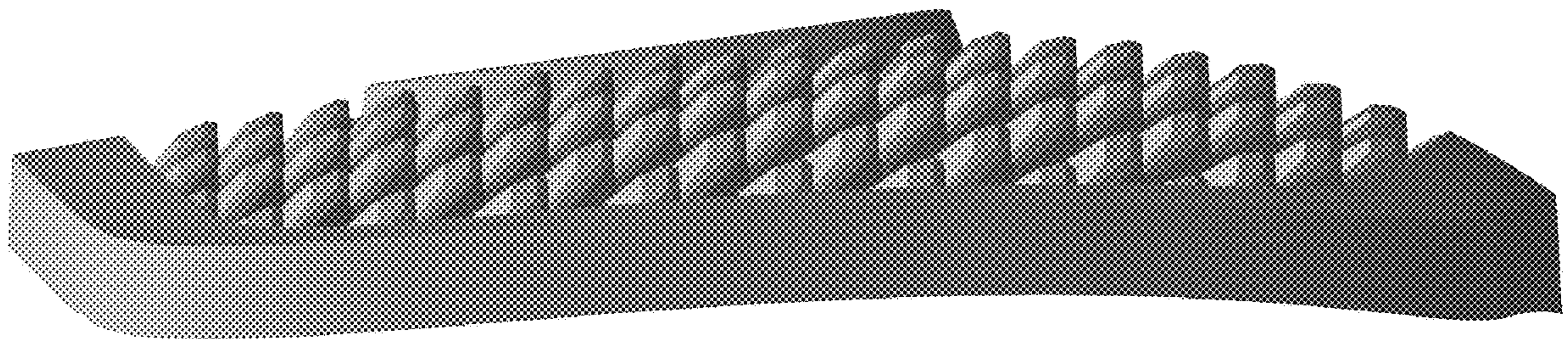


FIG. 7



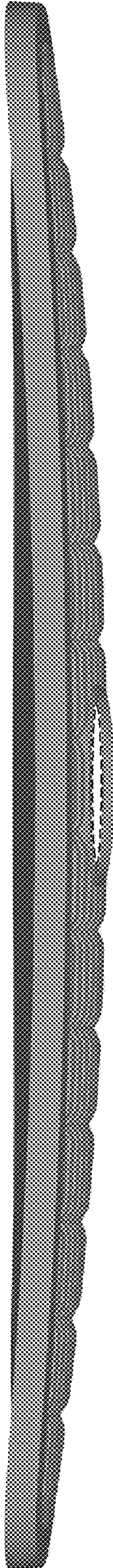


FIG. 9

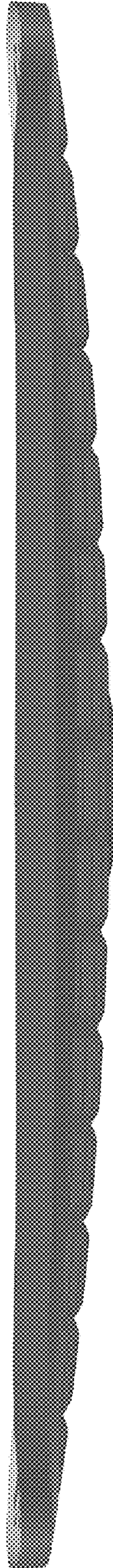


FIG. 10

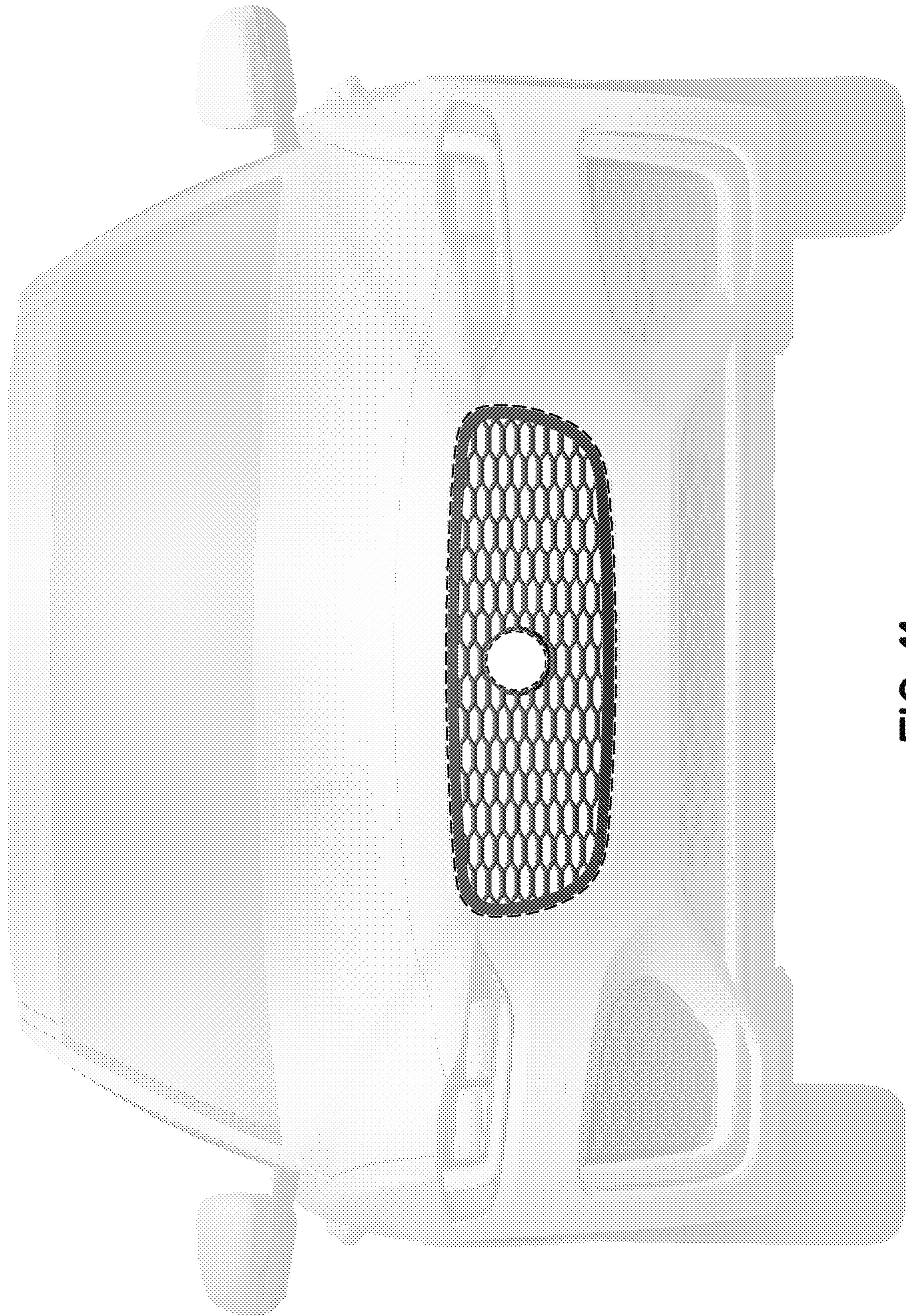


FIG. 11