



US00D911881S

(12) **United States Design Patent** (10) **Patent No.:** **US D911,881 S**
Lindloff (45) **Date of Patent:** **** Mar. 2, 2021**

(54) **MOTORCYCLE FRAME COVER PLATE**

(71) Applicant: **Ciro, LLC**, Hudson, WI (US)

(72) Inventor: **Christopher Lindloff**, New Richmond, WI (US)

(73) Assignee: **CIRO CORPORATION**, Hudson, WI (US)

(**) Term: **15 Years**

(21) Appl. No.: **29/699,596**

(22) Filed: **Jul. 26, 2019**

D755,683 S *	5/2016	Goodlow	D12/114
D798,773 S *	10/2017	Fitzgerald	D12/114
D799,552 S *	10/2017	McGinley	D15/5
D800,784 S *	10/2017	Collins	D15/5
D830,236 S *	10/2018	Yaffe	D12/114
D830,237 S *	10/2018	Yaffe	D12/114
D830,238 S *	10/2018	Yaffe	D12/114
D838,629 S *	1/2019	Hinsey	D12/114
D839,139 S *	1/2019	Hinsey	D12/114
D840,279 S *	2/2019	Tako	D12/126
D857,560 S *	8/2019	Watanabe	D12/114
D860,060 S *	9/2019	Luman	D12/114
D863,360 S *	10/2019	Ihns	D15/5
D870,601 S *	12/2019	Klein	D12/114
D871,977 S *	1/2020	Rigolio	D12/114
D885,992 S *	6/2020	Shigihara	D12/126
D894,054 S *	8/2020	Smirnov	D12/114
D902,085 S *	11/2020	May	D12/114
2011/0247455 A1 *	10/2011	Densmore	B62M 3/16 74/612

Related U.S. Application Data

(62) Division of application No. 16/521,285, filed on Jul. 24, 2019.

(51) **LOC (13) Cl.** **12-11**

(52) **U.S. Cl.**
USPC **D12/126**

(58) **Field of Classification Search**
USPC D12/19, 110, 113, 114, 117, 120, 121,
D12/125, 126, 182, 184, 186, 203; D5/5;
D8/354
CPC ... B62J 11/00; B62J 13/04; B62J 17/00; B62J
17/02; B62J 17/04; B62J 23/00; B62J
25/00; B62J 25/04; B62K 11/00; B62K
11/02; B62K 11/04
See application file for complete search history.

(56) **References Cited**

U.S. PATENT DOCUMENTS

D357,216 S *	4/1995	Davidson	D12/126
D364,836 S *	12/1995	Schlangen	74/609
D402,929 S *	12/1998	Golden	D12/126
D427,888 S *	7/2000	Hannon	D8/354
D601,062 S *	9/2009	Garland	D12/114
D729,128 S *	5/2015	Forget	D12/114

* cited by examiner

Primary Examiner — Darlington Ly

(74) *Attorney, Agent, or Firm* — Dicke, Billig & Czaja, PLLC

(57) **CLAIM**

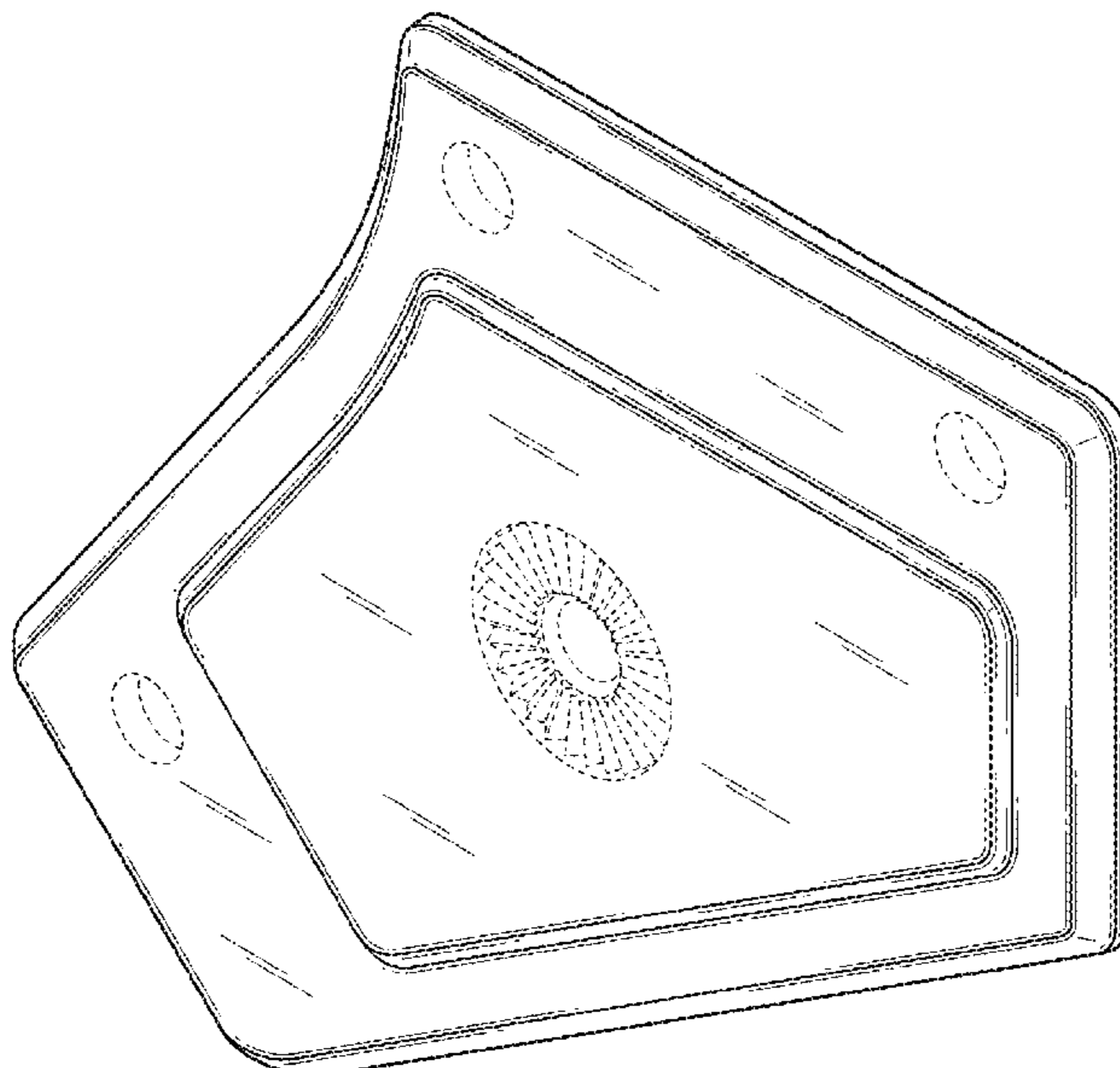
The ornamental design for a motorcycle frame cover plate, as shown and described.

DESCRIPTION

FIG. 1 is a front perspective view of a motorcycle frame cover plate embodying my new design; FIG. 2 is a front elevation view thereof; FIG. 3 is a rear elevation view thereof; FIG. 4 is a right side elevation view thereof; and, FIG. 5 is a left side elevation view thereof.

The mounting holes, splined front surface portion and rear surface features shown in broken lines form no part of the claimed design.

1 Claim, 4 Drawing Sheets



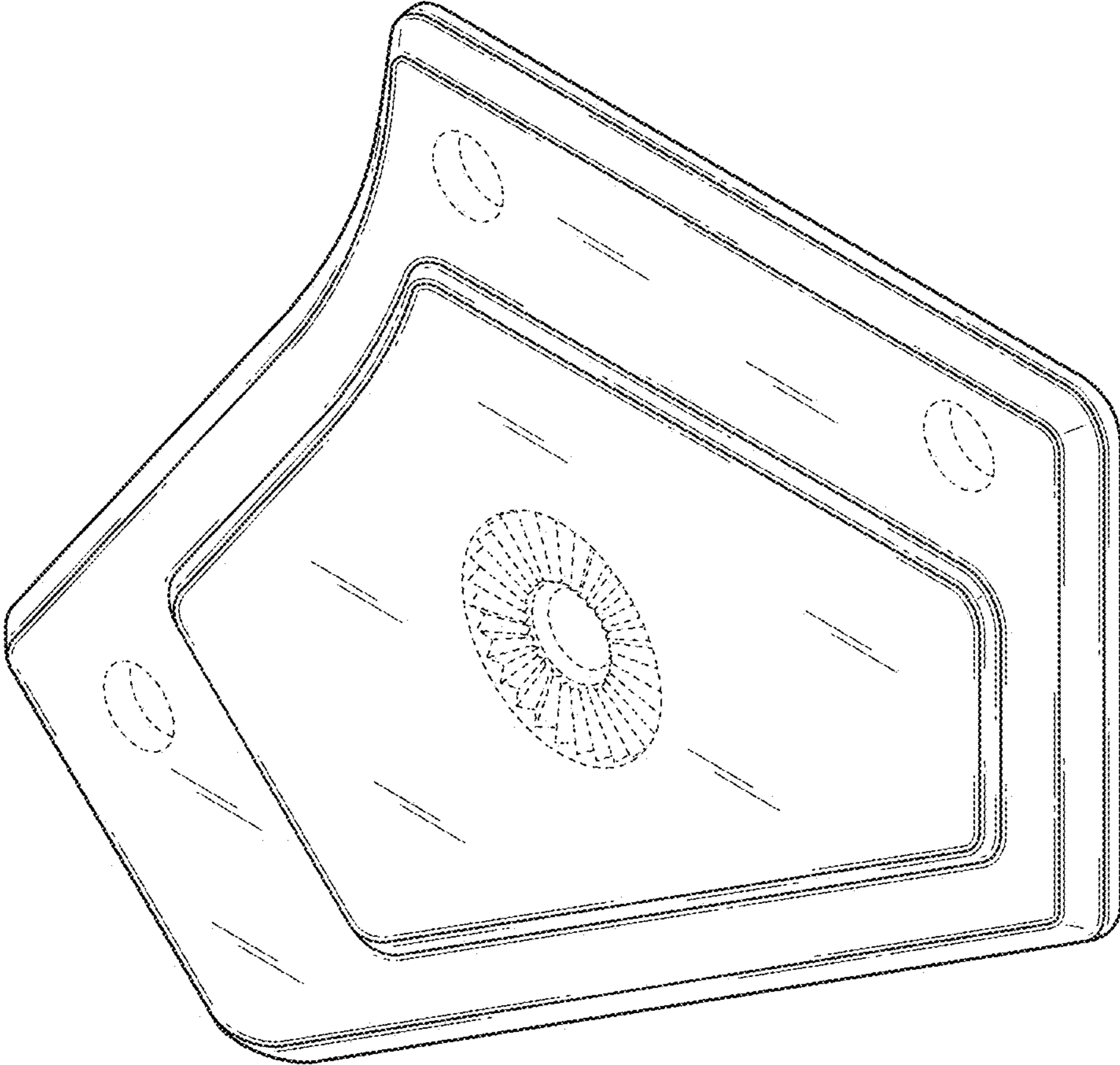


FIG. 1

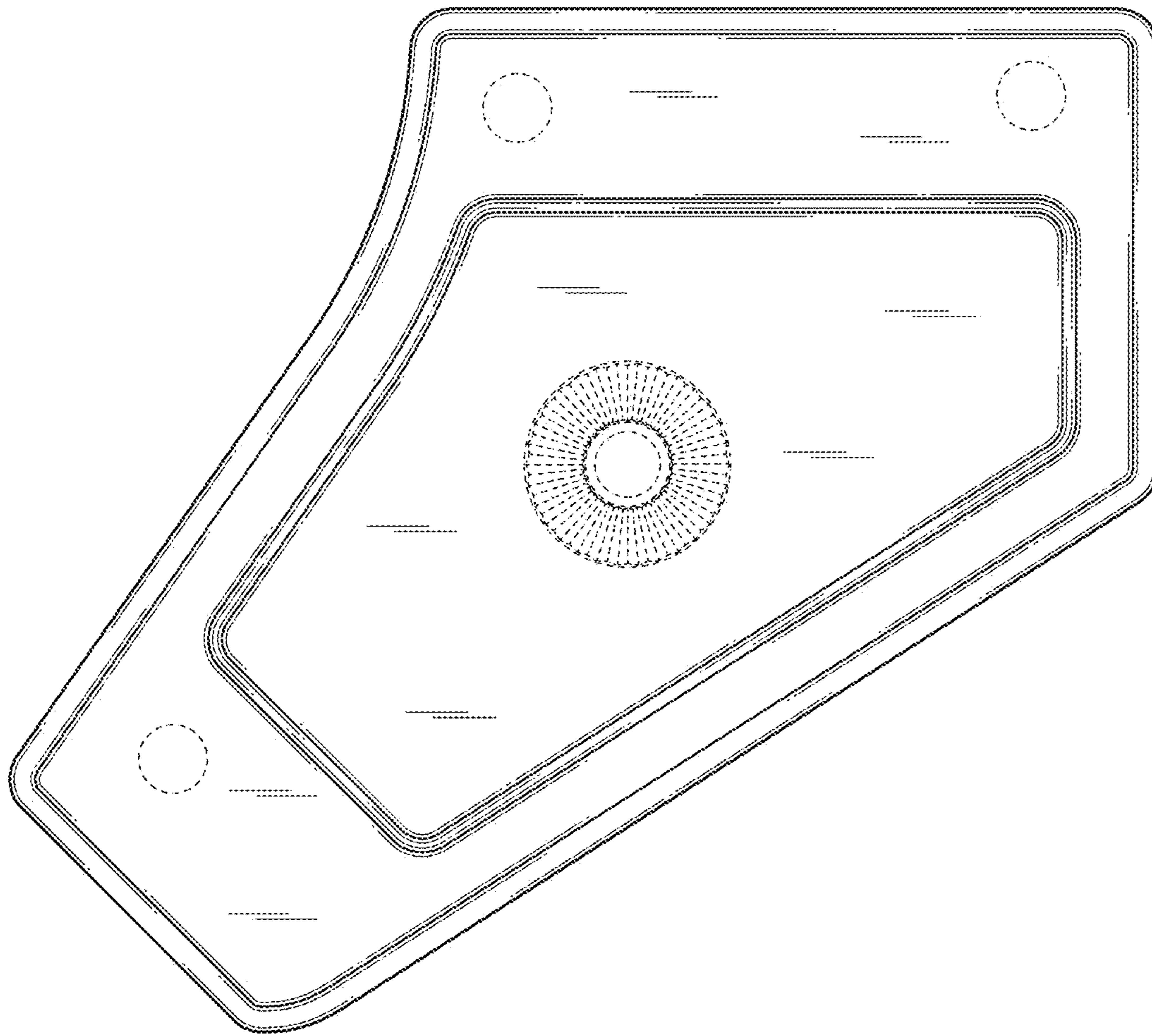


FIG. 2

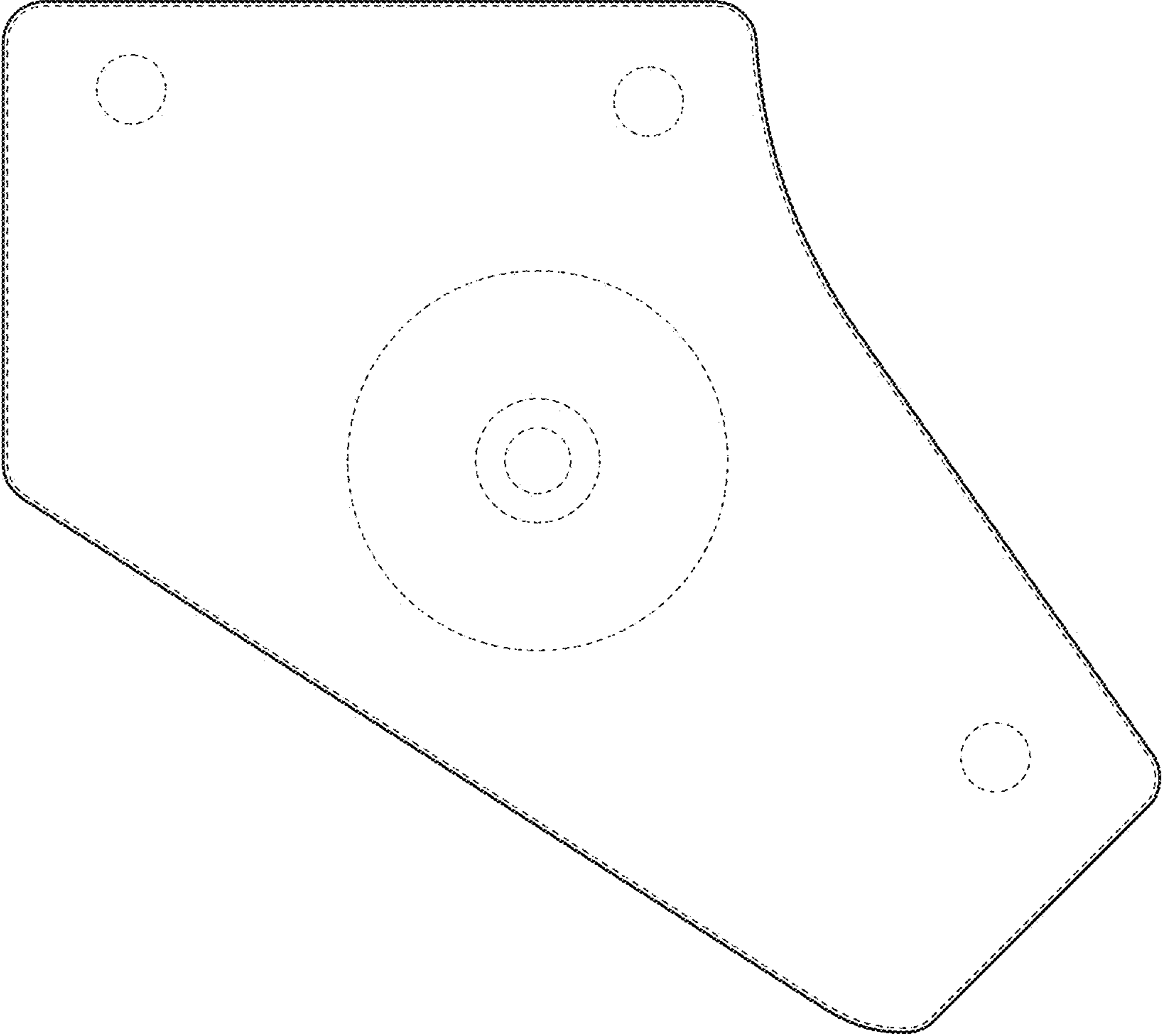


FIG. 3

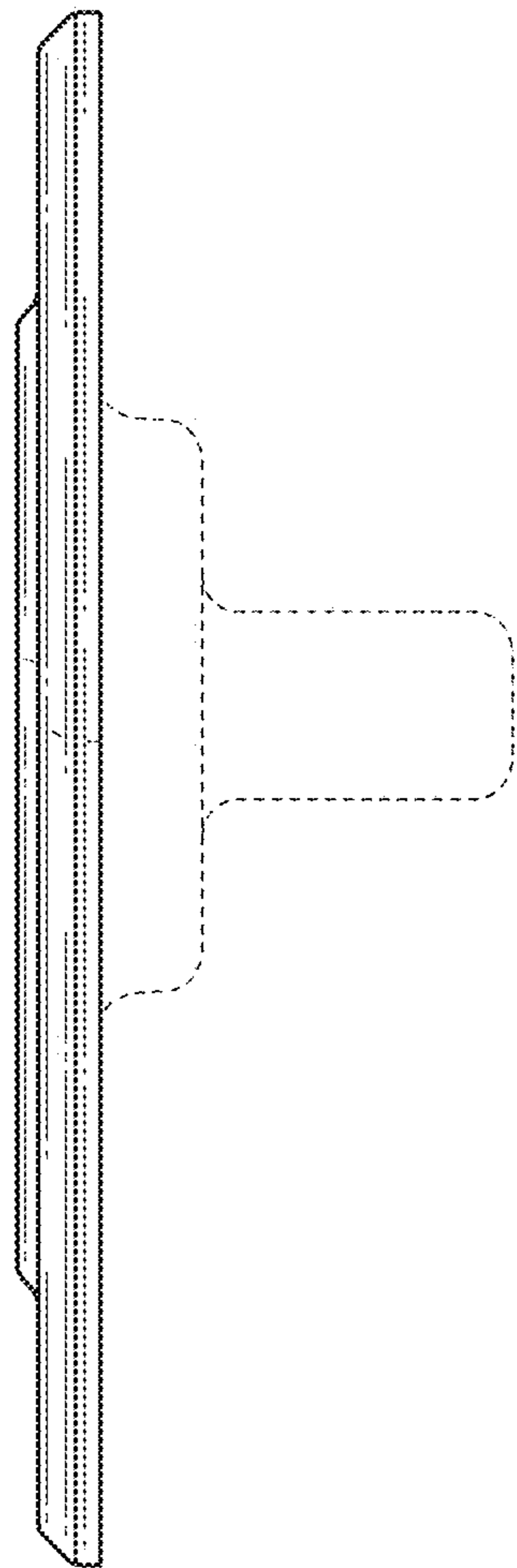


FIG. 4

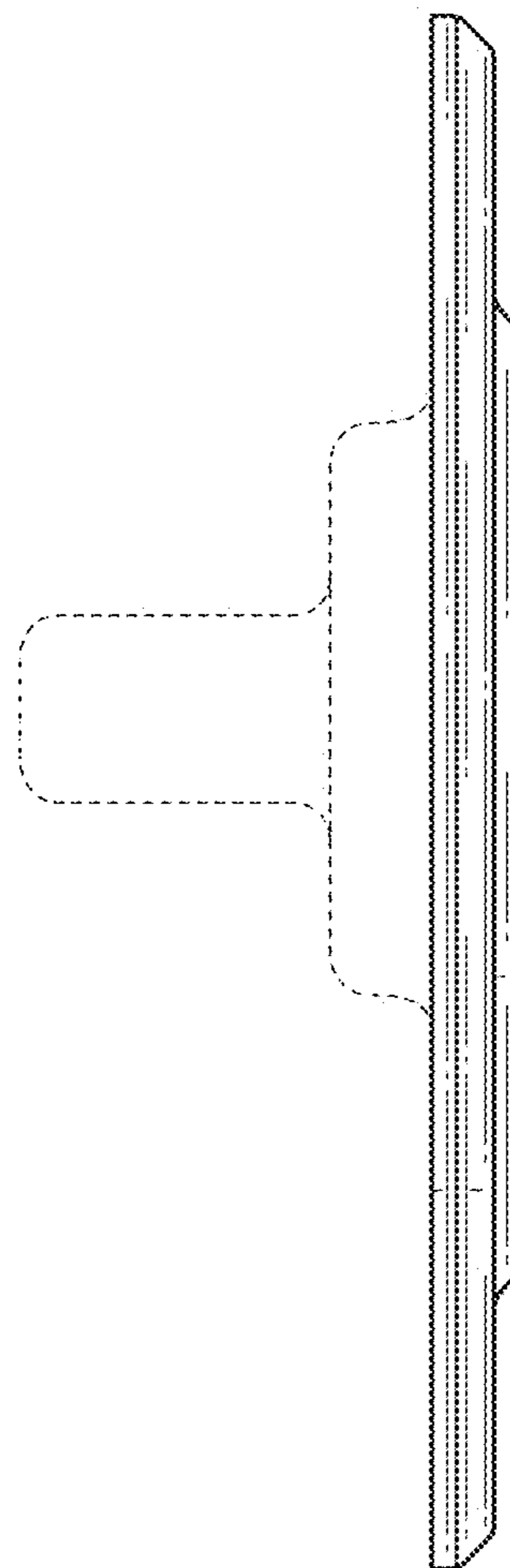


FIG. 5