



US00D911875S

(12) **United States Design Patent** (10) **Patent No.:** **US D911,875 S**
Bucher et al. (45) **Date of Patent:** **** *Mar. 2, 2021**

(54) **VEHICLE EXTERIOR**
(71) Applicant: **Ford Global Technologies, LLC,**
Dearborn, MI (US)
(72) Inventors: **George Bucher,** Dearborn, MI (US);
Craig S. Metros, Bloomfield, MI (US);
Dean Carbis, Bloomfield Hills, MI
(US); **Shawn Sung Yu,** Canton, MI
(US); **Jesse R. Diephuis,** West
Bloomfield, MI (US)

D741,752 S * 10/2015 Messale D12/91
D746,175 S * 12/2015 Wolff D12/91
D754,563 S * 4/2016 Behmer D12/91
D788,643 S * 6/2017 Bucher D12/91
D816,552 S * 5/2018 Bucher D12/91
D819,497 S * 6/2018 Platto D12/91
D821,920 S * 7/2018 Platto D12/91
D830,232 S * 10/2018 Tamiya D12/91
D832,146 S * 10/2018 Metros D12/91
D832,166 S * 10/2018 Kobayashi D12/180
D832,167 S * 10/2018 Loeb D12/187
D835,001 S * 12/2018 Metros D12/91
D835,002 S * 12/2018 Metros D12/91

(73) Assignee: **Ford Global Technologies, LLC,**
Dearborn, MI (US)

* cited by examiner

(*) Notice: This patent is subject to a terminal disclaimer.

Primary Examiner — Melody N Brown

(74) *Attorney, Agent, or Firm* — LeClairRyan

(**) Term: **15 Years**

(21) Appl. No.: **29/631,971**

(22) Filed: **Jan. 4, 2018**

(51) **LOC (13) Cl.** **12-08**

(52) **U.S. Cl.**
USPC **D12/91**

(58) **Field of Classification Search**
USPC D12/86, 90–92, 164; D21/424, 433, 434,
D21/533; 296/181.1–181.5, 183.1
CPC B62D 25/00; B62D 25/06; B62D 33/00;
B62D 35/00
See application file for complete search history.

(56) **References Cited**

U.S. PATENT DOCUMENTS

D736,119 S * 8/2015 Kaoud D12/91
D741,227 S * 10/2015 Messale D12/92

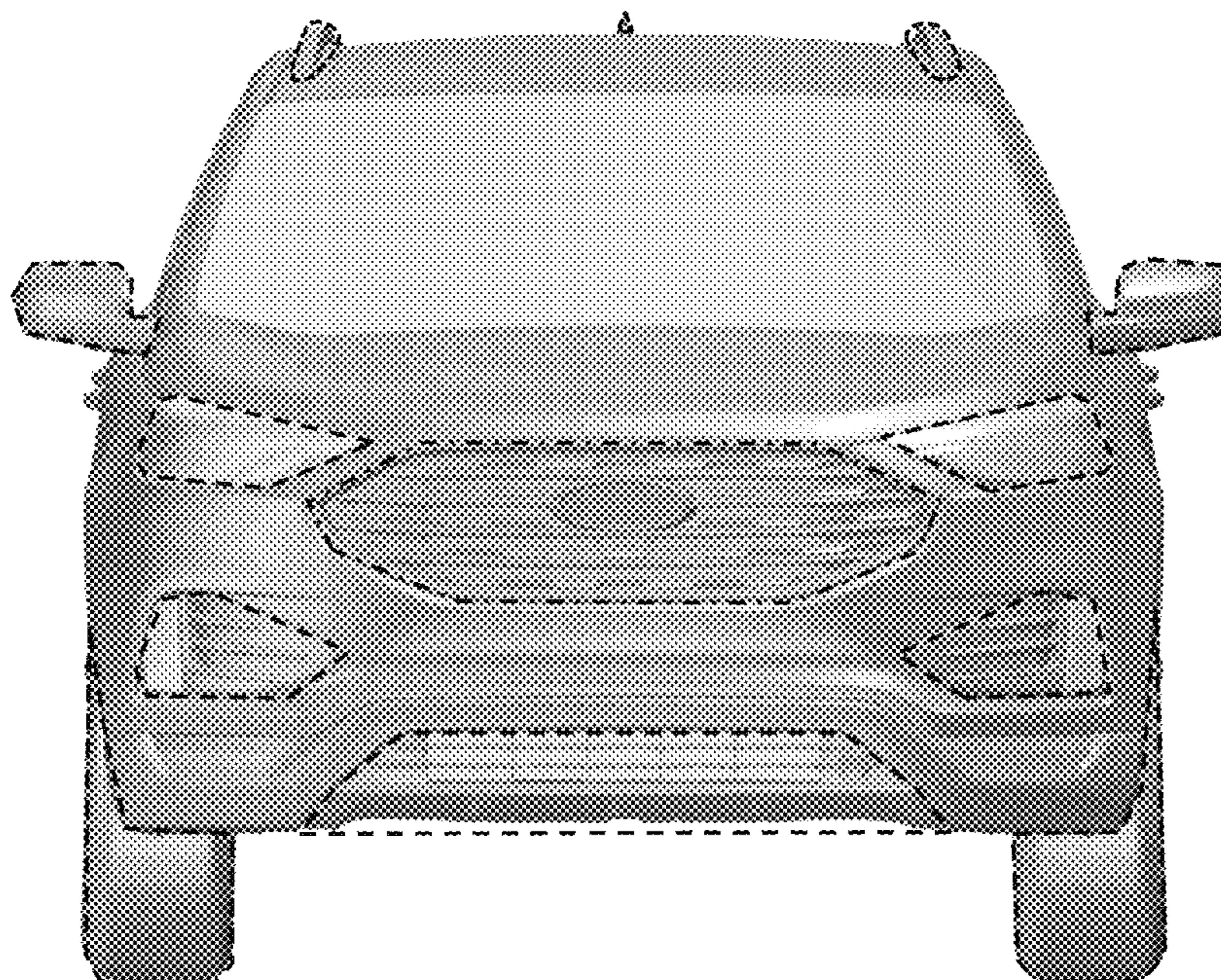
(57) **CLAIM**

The ornamental design for a vehicle exterior, as shown and described.

DESCRIPTION

FIG. 1 is a front elevational view with dashed lines of a vehicle exterior, showing our new design; FIG. 2 is a rear elevational view thereof; FIG. 3 is a left side elevational view thereof; FIG. 4 is a right side elevational view thereof; and, FIG. 5 is a top plan view thereof. Any broken lines represent an internal boundary of the design; the line itself and the area within form no part of the claim.

1 Claim, 5 Drawing Sheets



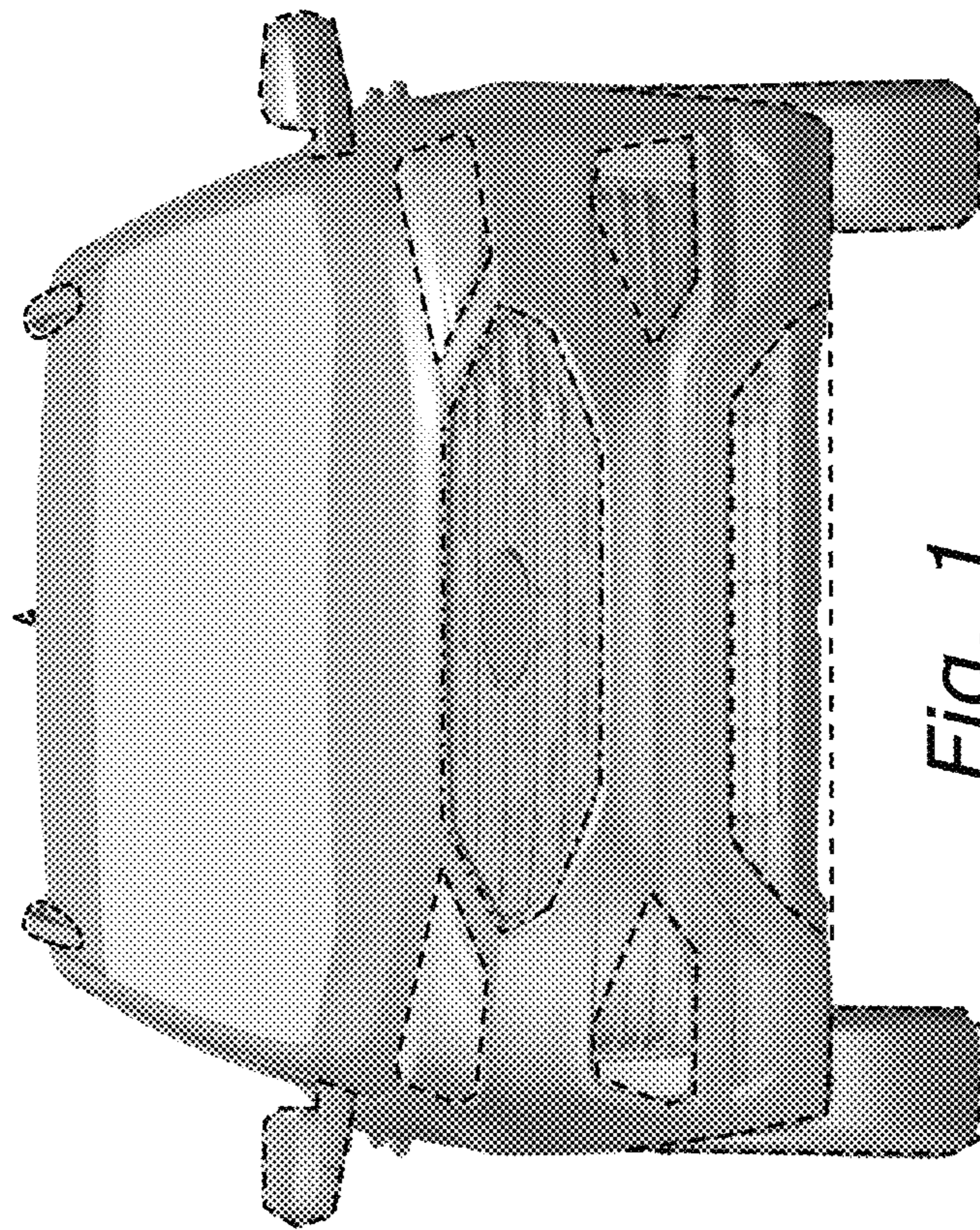


Fig. 1

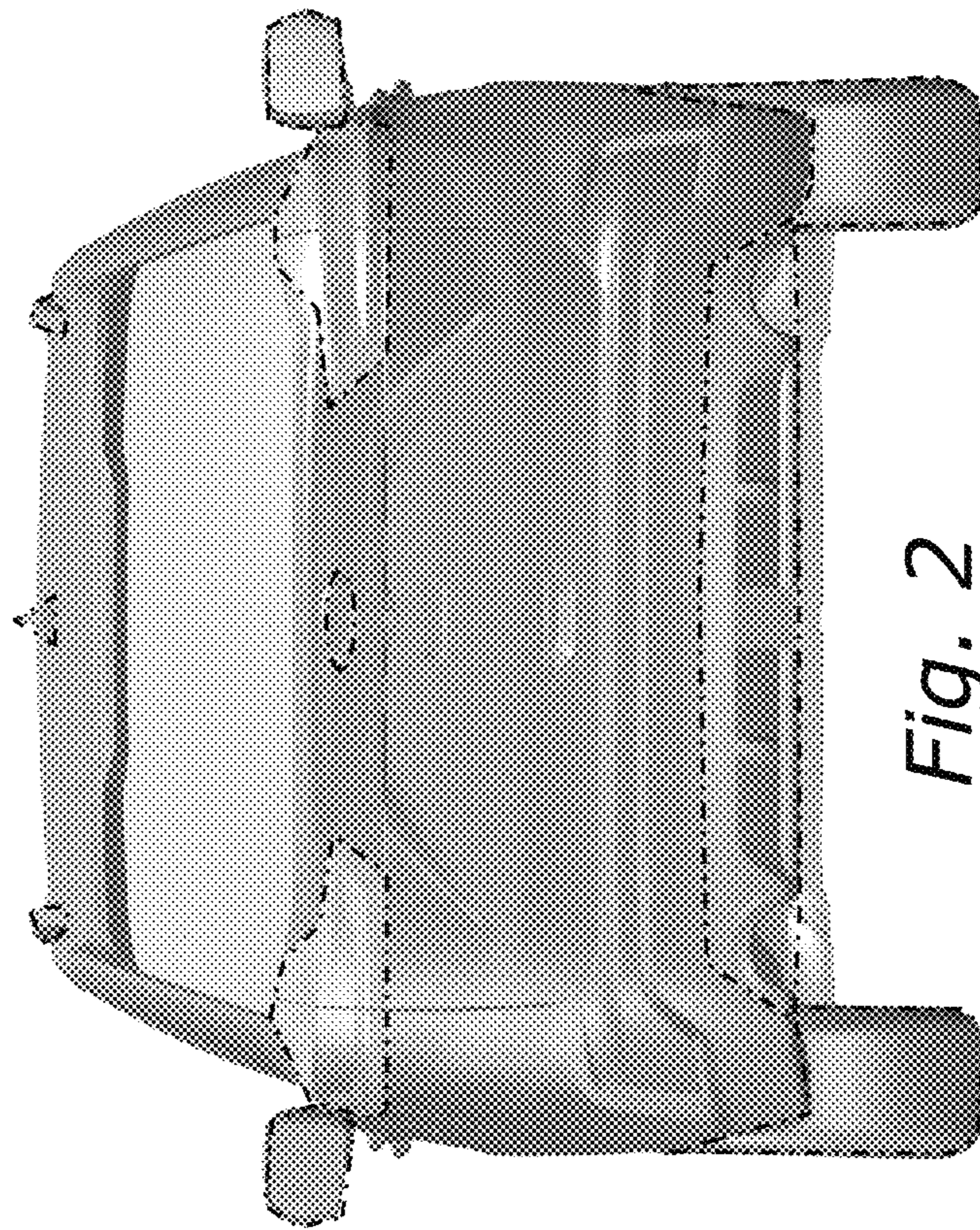


Fig. 2

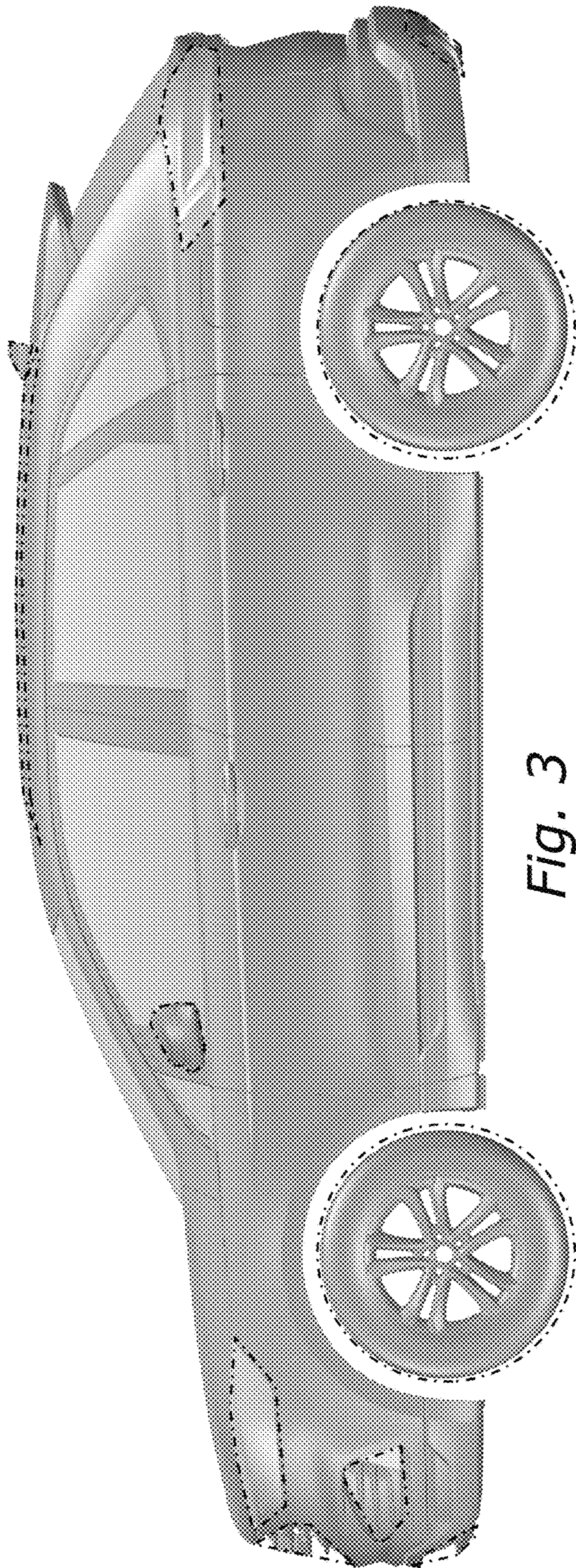


Fig. 3

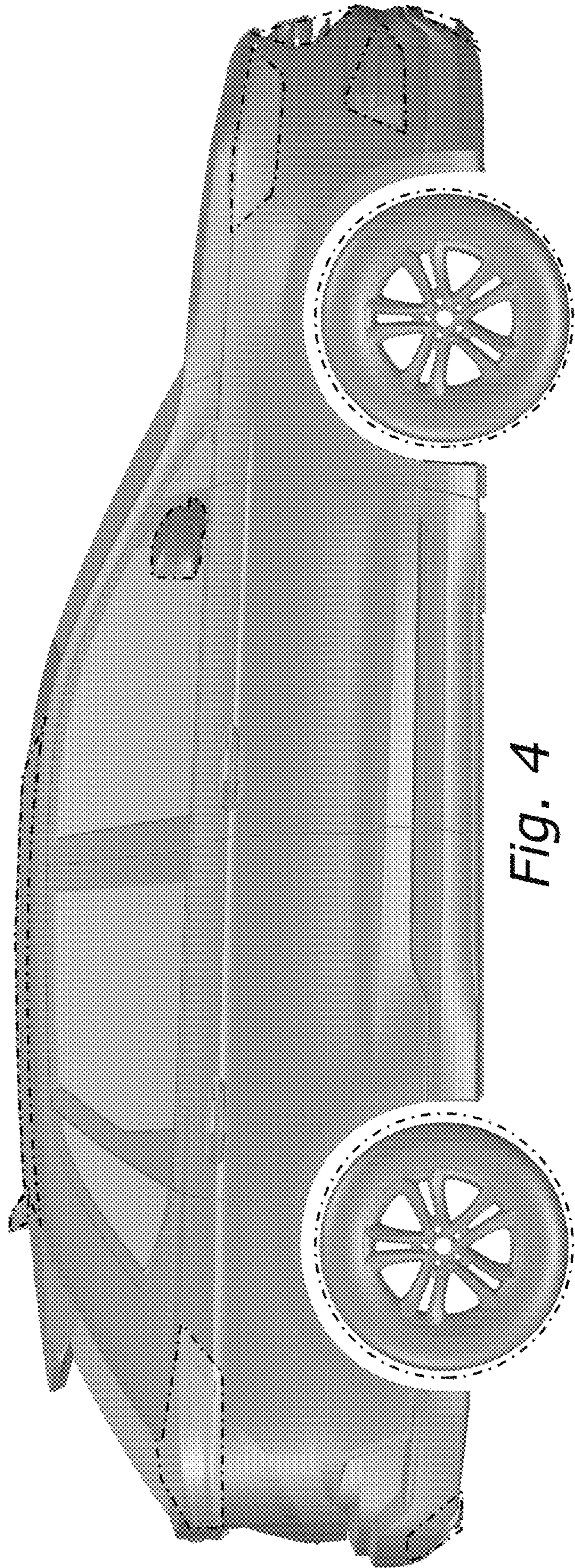


Fig. 4



Fig. 5