



US00D911872S

(12) **United States Design Patent**
Broyer

(10) **Patent No.:** **US D911,872 S**
(45) **Date of Patent:** **** Mar. 2, 2021**

- (54) **LOCKING DEVICE FOR SAFETY BELTS**
- (71) Applicant: **BABYZEN**, Aix-en-Provence (FR)
- (72) Inventor: **Stéphane Broyer**, Lyons (FR)
- (73) Assignee: **BABYZEN**, Aix-en-Provence (FR)
- (**) Term: **15 Years**
- (21) Appl. No.: **35/508,047**
- (22) Filed: **Sep. 10, 2019**
- (80) **Hague Agreement Data**
 Int. Filing Date: **Sep. 10, 2019**
 Int. Reg. No.: **DM/204585**
 Int. Reg. Date: **Sep. 10, 2019**
 Int. Reg. Pub. Date: **Dec. 13, 2019**
- (51) **LOC (13) Cl.** **11-03**
- (52) **U.S. Cl.**
USPC **D11/216**
- (58) **Field of Classification Search**
 USPC D11/200, 216, 218, 231; D29/100–101.5
 CPC . A44B 11/2503; A44B 11/00; A44B 11/2507;
 A44B 11/2549; A44B 11/2553; Y10T
 24/3401; Y10T 24/4047; Y10T 24/4086;
 Y10T 24/4093; B60R 2022/1806; B60R
 2022/021; B60R 22/00
 See application file for complete search history.

6,719,326	B2 *	4/2004	Schroth	A44B 11/2542
				280/801.1
D515,456	S *	2/2006	Gastaldi	D11/216
7,360,287	B2 *	4/2008	Cerruti	A44B 11/2515
				24/628
D599,701	S *	9/2009	Jacobs	D11/216
D612,764	S *	3/2010	Mountz	D11/216
D638,332	S *	5/2011	Fair	D11/216
D655,223	S *	3/2012	Hadlow	D11/216
D681,506	S *	5/2013	Kolasa	D11/216
8,683,666	B2 *	4/2014	Miller	A44B 11/2546
				24/633
8,974,005	B2 *	3/2015	Mason	B60R 22/105
				297/484
D738,782	S *	9/2015	Farmer	D11/216
D741,745	S *	10/2015	Cleere	D11/216
9,521,895	B2 *	12/2016	Stuart	A45F 3/12
10,442,393	B2 *	10/2019	Jaradi	A44B 11/2561
10,611,334	B2 *	4/2020	Eaton	B60R 22/206
10,654,442	B2 *	5/2020	Wang	B60R 22/26
2011/0010901	A1 *	1/2011	Holler	A44B 11/2542
				24/593.1

* cited by examiner

Primary Examiner — Michael A. Pratt
(74) *Attorney, Agent, or Firm* — IpHorgan Ltd.

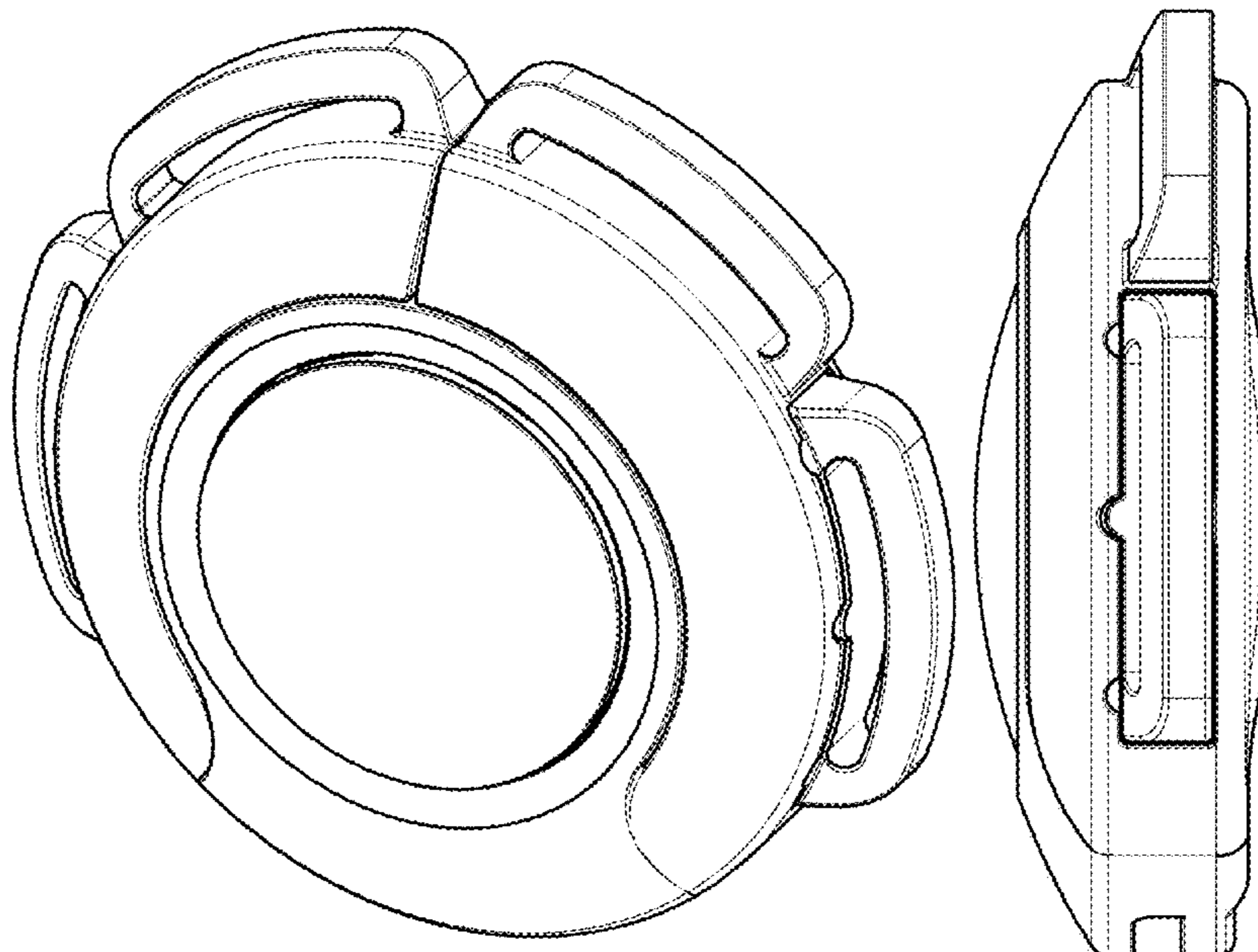
(57) **CLAIM**

The ornamental design for locking device for safety belts, as shown and described.

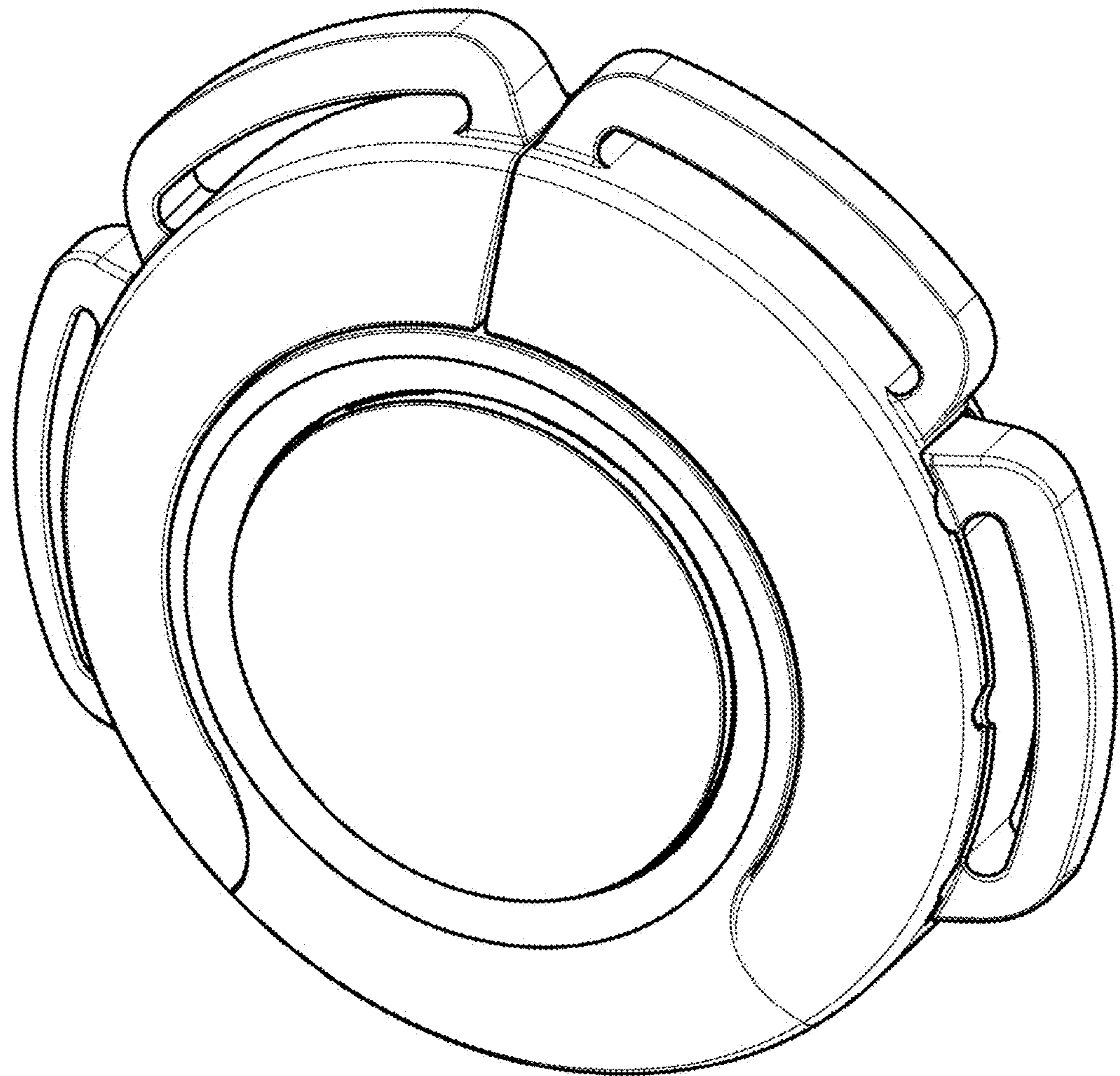
DESCRIPTION

- 1. Locking device for safety belts
- 1.1 : Perspective
- 1.2 : Front
- 1.3 : Back
- 1.4 : Top
- 1.5 : Bottom
- 1.6 : Right
- 1.7 : Left

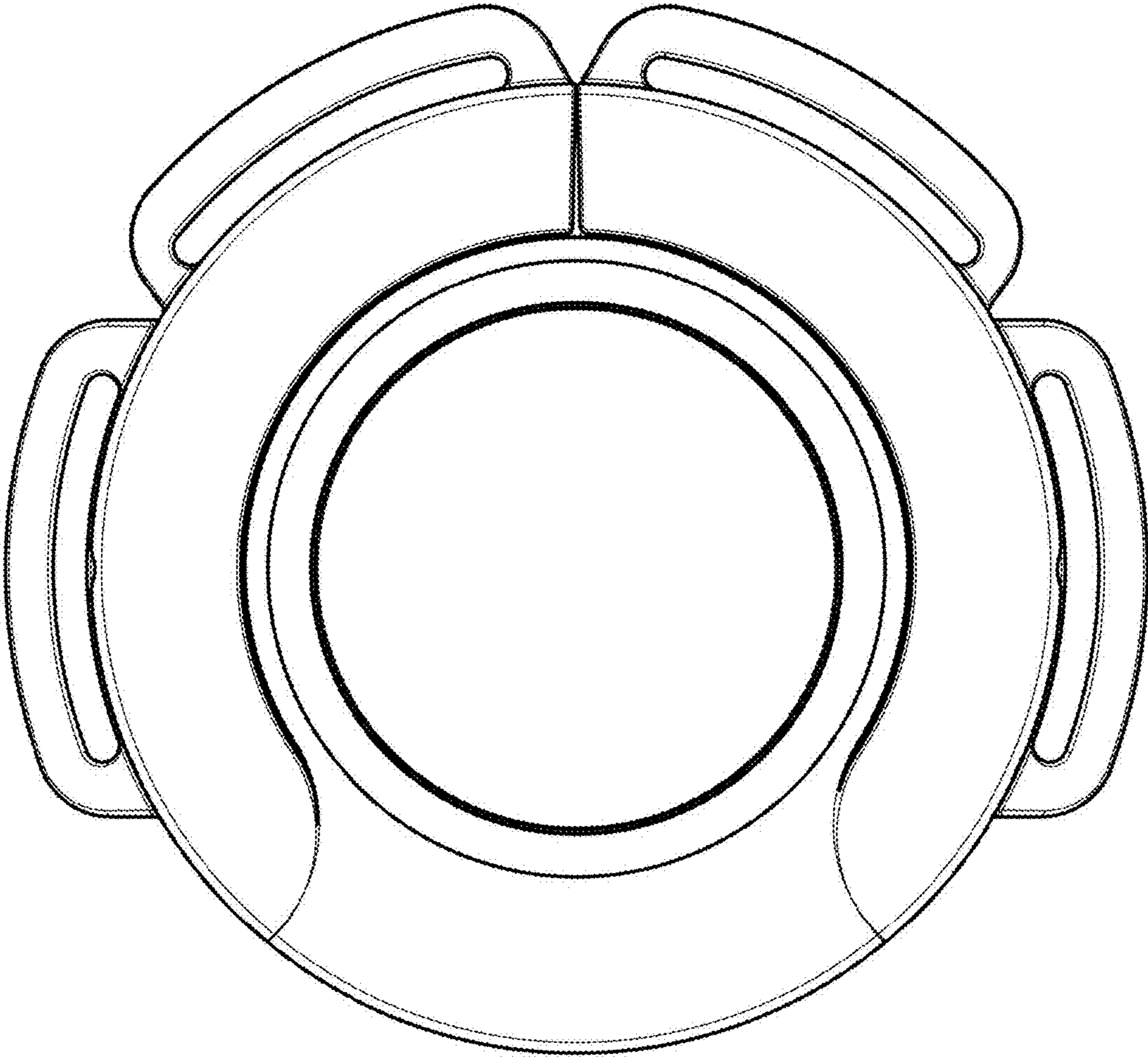
1 Claim, 7 Drawing Sheets



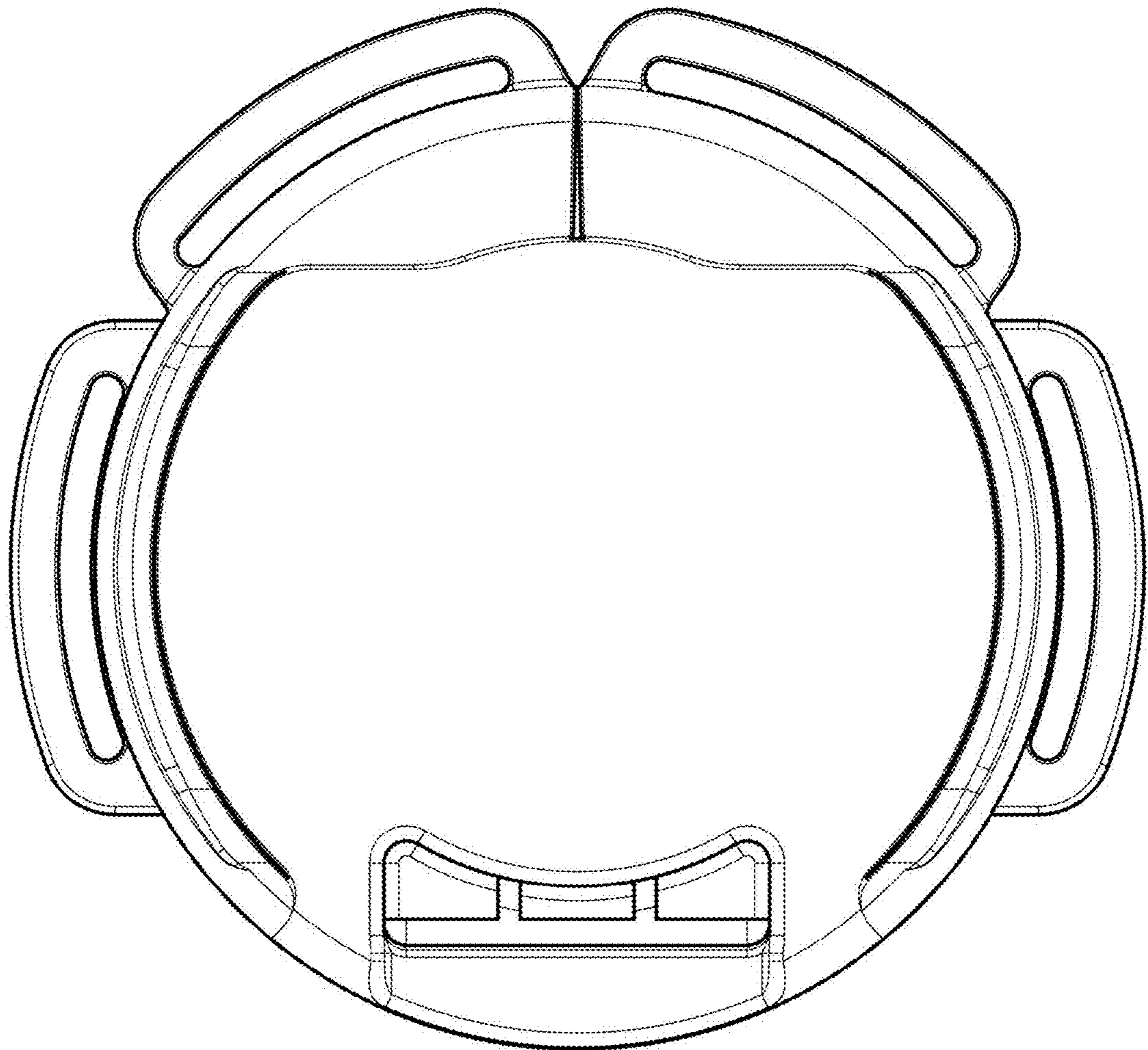
1.1



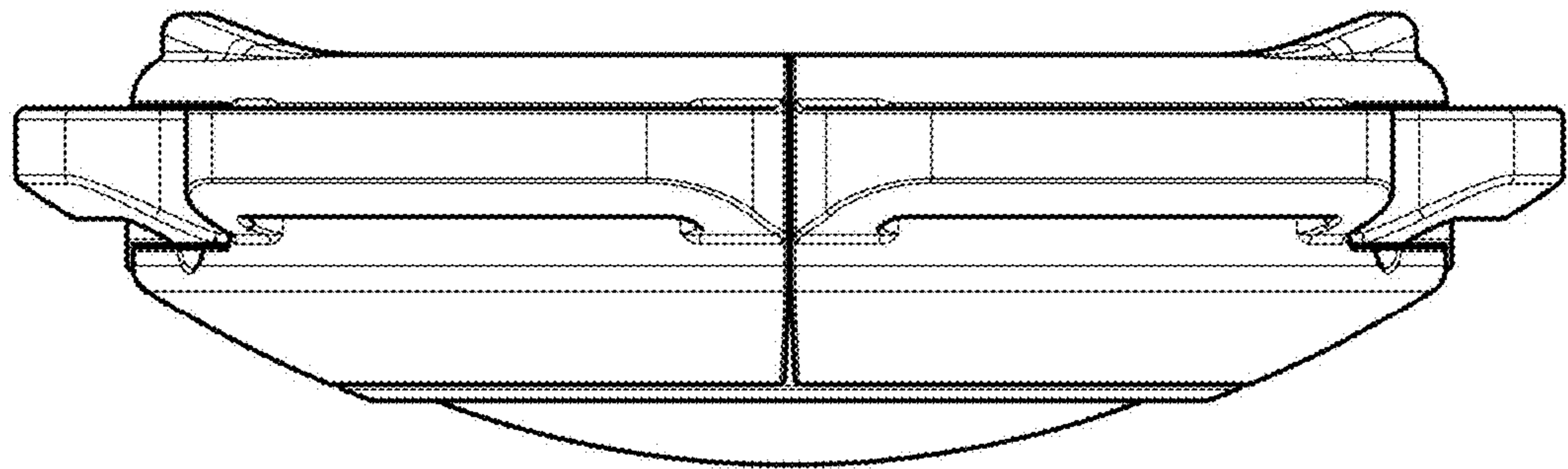
1.2



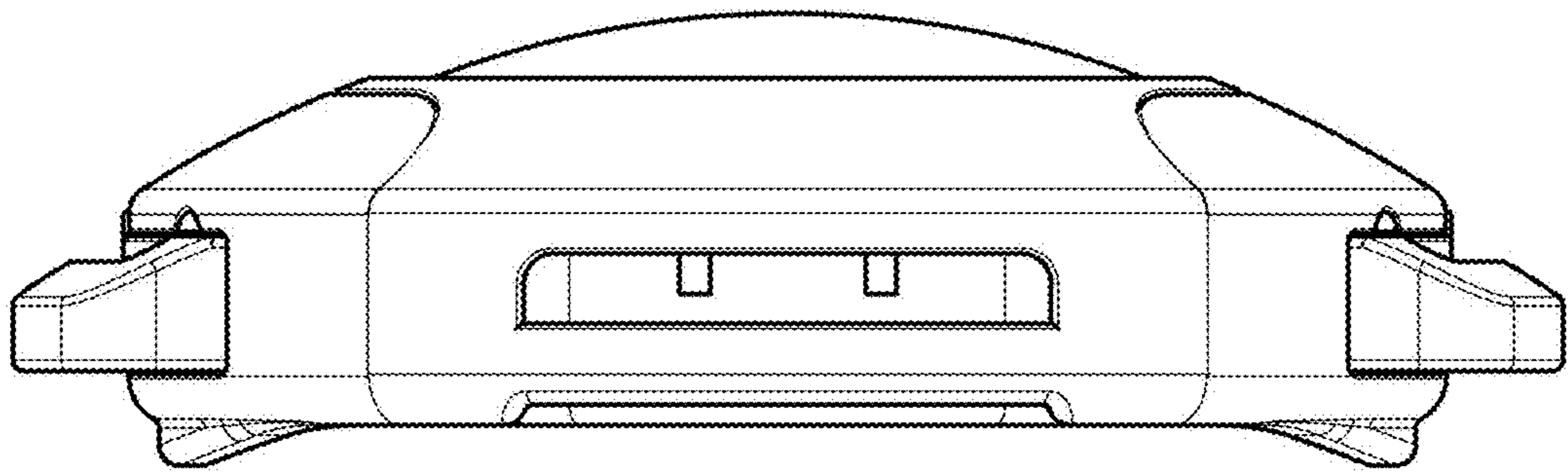
1.3



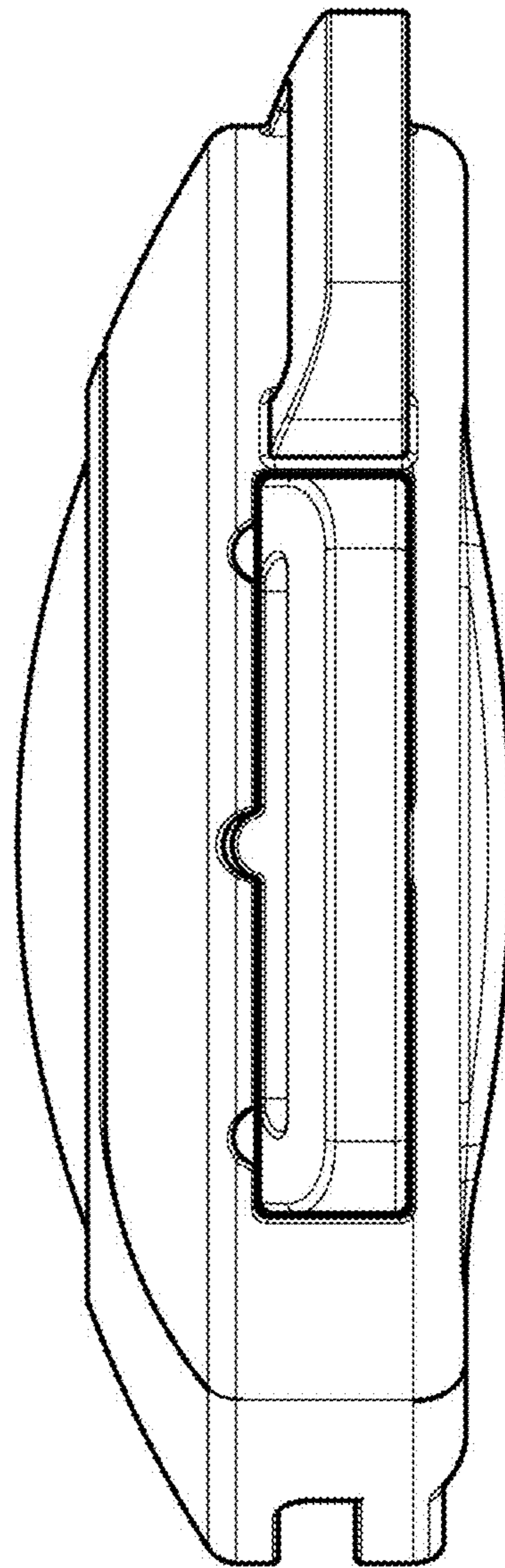
1.4



1.5



1.6



1.7

