



US00D911866S

(12) **United States Design Patent** (10) **Patent No.:** **US D911,866 S**
Green et al. (45) **Date of Patent:** **** Mar. 2, 2021**

(54) **INTERCHANGEABLE JEWELRY BASE AND CHARM**

Primary Examiner — Zenia I Bennett
(74) *Attorney, Agent, or Firm — Workman Nydegger*

(71) Applicant: **Style Dots LLC**, Rockford, MI (US)
(72) Inventors: **Karen L. Green**, West Sacramento, CA (US); **Gina M. Smith**, Nixa, MO (US)
(73) Assignee: **STYLE DOTS LLC**, Rockford, MI (US)

(57) **CLAIM**

The ornamental design for an interchangeable jewelry base and charm, as shown and described.

(**) Term: **15 Years**

DESCRIPTION

(21) Appl. No.: **29/718,203**

(22) Filed: **Dec. 20, 2019**

Related U.S. Application Data

(63) Continuation of application No. 15/745,676, filed as application No. PCT/US2017/064945 on Dec. 6, (Continued)

(51) **LOC (13) Cl.** **11-01**

(52) **U.S. Cl.**
USPC **D11/86**

(58) **Field of Classification Search**
USPC D11/1–25.43, 86, 87, 220
(Continued)

(56) **References Cited**

U.S. PATENT DOCUMENTS

697,120 A 4/1902 Wade
901,333 A 10/1908 Fitzgerald
(Continued)

FOREIGN PATENT DOCUMENTS

WO 03/79841 A1 10/2003

OTHER PUBLICATIONS

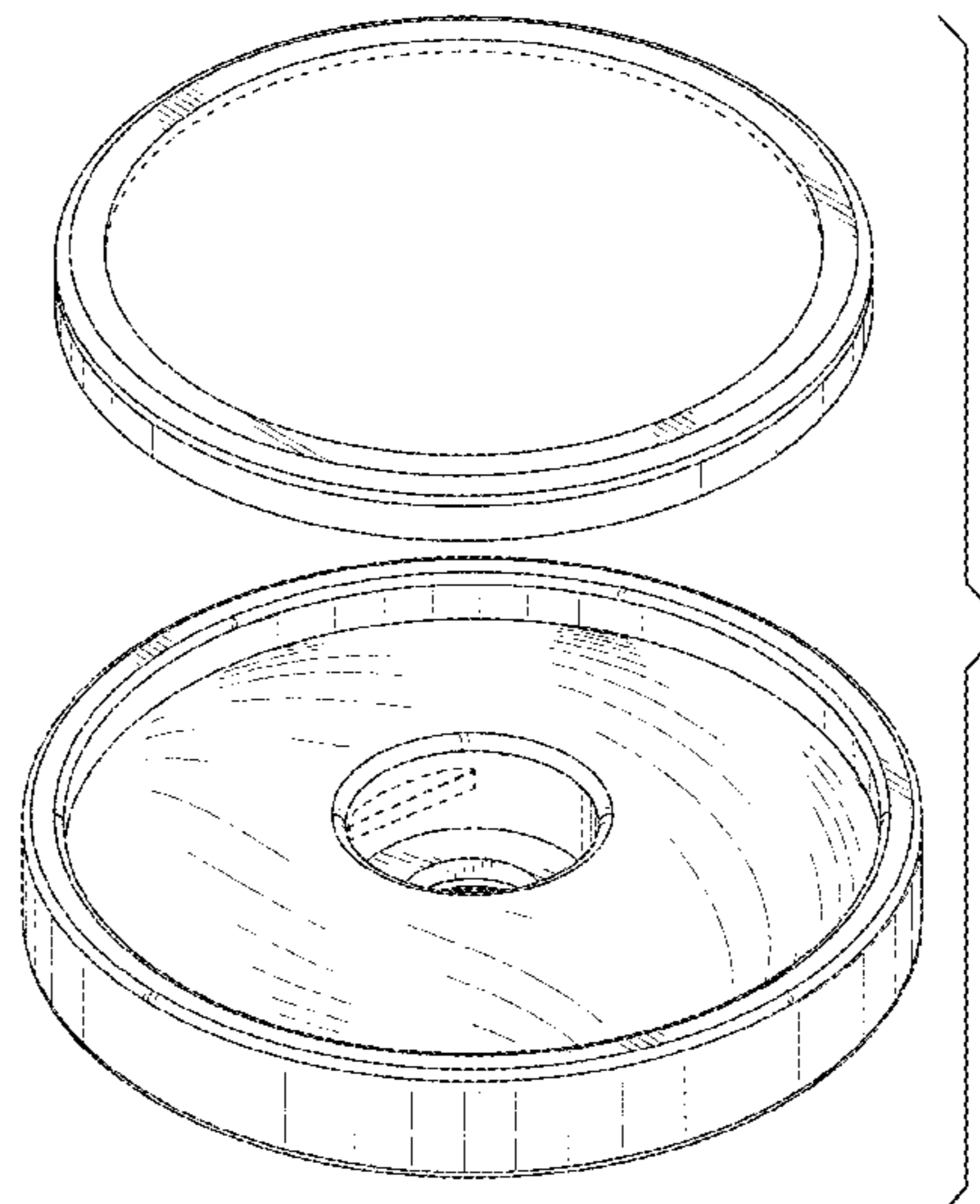
Final Office Action received for U.S. Appl. No. 15/745,676, dated Aug. 14, 2020, 6 pages.

(Continued)

FIG. 1 is a top, left front perspective view of our new design for an interchangeable jewelry base;
FIG. 2 is a right side elevational view thereof;
FIG. 3 is a left side elevational view thereof;
FIG. 4 is a top plan view thereof;
FIG. 5 is a bottom plan view thereof;
FIG. 6 is a front elevational view thereof;
FIG. 7 is a rear elevational view thereof;
FIG. 8 is a top, left front exploded perspective view of our new design for an interchangeable jewelry base and charm;
FIG. 9 is a right side elevational view thereof;
FIG. 10 is a left side elevational view thereof;
FIG. 11 is a front elevational view thereof;
FIG. 12 is a rear elevational view thereof;
FIG. 13 is a top plan view thereof;
FIG. 14 is a bottom plan view thereof;
FIG. 15 is an assembled, top, left front perspective view thereof;
FIG. 16 is a right side elevational view thereof;
FIG. 17 is a left side elevational view thereof;
FIG. 18 is a top plan view thereof;
FIG. 19 is a bottom plan view thereof;
FIG. 20 is a front elevational view thereof;
FIG. 21 is a rear elevational view thereof;
FIG. 22 is a disassembled, top plan view thereof, wherein the base and charm are displaced side by side; and,
FIG. 23 is a bottom plan view thereof.

The broken lines are included for the purpose of showing environmental portions of the interchangeable jewelry base and charm and form no part of the claimed design.

1 Claim, 15 Drawing Sheets



Related U.S. Application Data

2017, which is a continuation of application No. 15/932,446, filed on Dec. 6, 2016, now abandoned.

(58) **Field of Classification Search**

CPC .. A44C 1/00; A44C 7/00; A44C 7/002; A44C 7/003; A44B 7/00; A44B 7/0005; A44B 7/0017; A44B 7/0023; A44B 7/0029; A44B 7/0035; A44B 7/0041; A44B 7/0058; A44B 7/0064

See application file for complete search history.

(56) **References Cited**

U.S. PATENT DOCUMENTS

1,052,141	A	2/1913	Gaschke	
1,448,465	A	3/1923	Sherman	
D123,719	S	11/1940	Ungar	
D174,242	S	3/1955	Warwick et al.	
3,831,398	A *	8/1974	Davis, Sr.	A44C 15/0045 63/14.9
3,905,525	A *	9/1975	Kawamata	A63B 57/207 224/245
4,959,890	A *	10/1990	Pazurek	A44B 1/04 24/113 MP
5,048,311	A *	9/1991	Mastrobuono	A44C 7/00 24/662
D326,827	S	6/1992	Peterson	
5,357,659	A	10/1994	Ackermann	
D363,042	S	10/1995	Papernik et al.	
5,505,061	A *	4/1996	Fleury, Jr.	A44C 7/002 63/13
5,709,327	A	1/1998	Lamacchia et al.	
5,794,459	A	8/1998	Ignatowski	
6,544,164	B1	4/2003	Fan	
6,898,950	B2 *	5/2005	Masina	A44C 5/00 63/1.11
D511,473	S	11/2005	Weinacht	
D539,698	S	4/2007	Choi	
D551,585	S	9/2007	Wooley et al.	
7,980,095	B1	7/2011	Masterson	
D657,281	S	4/2012	Psaute	
8,429,934	B2	4/2013	Roessler	
8,650,723	B2	2/2014	Reiter	
D713,755	S	9/2014	Thompson	
D714,181	S	9/2014	Thompson	
D723,409	S	3/2015	Theodore et al.	
D728,417	S	5/2015	Pferdehirt	

D728,419	S	5/2015	Pferdehirt	
D742,787	S	11/2015	Schoenbeck et al.	
D794,556	S	8/2017	Liao	
D803,716	S *	11/2017	Grainger	D11/86
D810,608	S	2/2018	Heller	
D810,609	S	2/2018	Heller	
D838,208	S	1/2019	Hirabayashi et al.	
D861,535	S	10/2019	Venables	
D867,920	S *	11/2019	O'Connell	D11/86
D872,606	S	1/2020	Green et al.	
D878,238	S *	3/2020	Holmes	D11/86
D886,658	S *	6/2020	Duncan	D11/87
2001/0031443	A1	10/2001	Ferranti	
2002/0073732	A1 *	6/2002	Masina	A44C 17/02 63/1.11
2004/0200236	A1	10/2004	Emberson et al.	
2005/0148809	A1	7/2005	Delaney	
2005/0166634	A1	8/2005	Lieberman et al.	
2006/0144083	A1	7/2006	Layton	
2011/0088428	A1	4/2011	Urban et al.	
2012/0131953	A1	5/2012	Fahsel	
2012/0240623	A1	9/2012	Morse	
2012/0324946	A1	12/2012	Latouf	
2013/0160489	A1	6/2013	Arjang et al.	
2013/0263625	A1	10/2013	Taylor-Cattapan	
2015/0020543	A1	1/2015	Kaupp	
2015/0359301	A1	12/2015	Lavorato et al.	
2017/0317705	A1	11/2017	Duneier et al.	
2019/0098970	A1	4/2019	Stein	

OTHER PUBLICATIONS

Final Office Action received for U.S. Appl. No. 16/723,906, dated Jul. 7, 2020, 9 pages.
 International Search Report and Written Opinion for application No. PCT/US2017/064945 dated Mar. 16, 2018.
 Non-Final Office Action for U.S. Appl. No. 16/723,906 dated, Feb. 19, 2020.
 Office Action for Canadian Application No. 2,998,583 dated, Jan. 15, 2020.
 Office Action received for Chinese Patent Application No. 201790001596.4, dated Jun. 16, 2020, 2 pages (Original Document only).
 Examiner Interview Summary received for U.S. Appl. No. 15/745,676, dated Dec. 4, 2020, 3 pages.
 Non-Final Rejection for U.S. Appl. No. 15/745,676, dated Jan. 4, 2021.

* cited by examiner

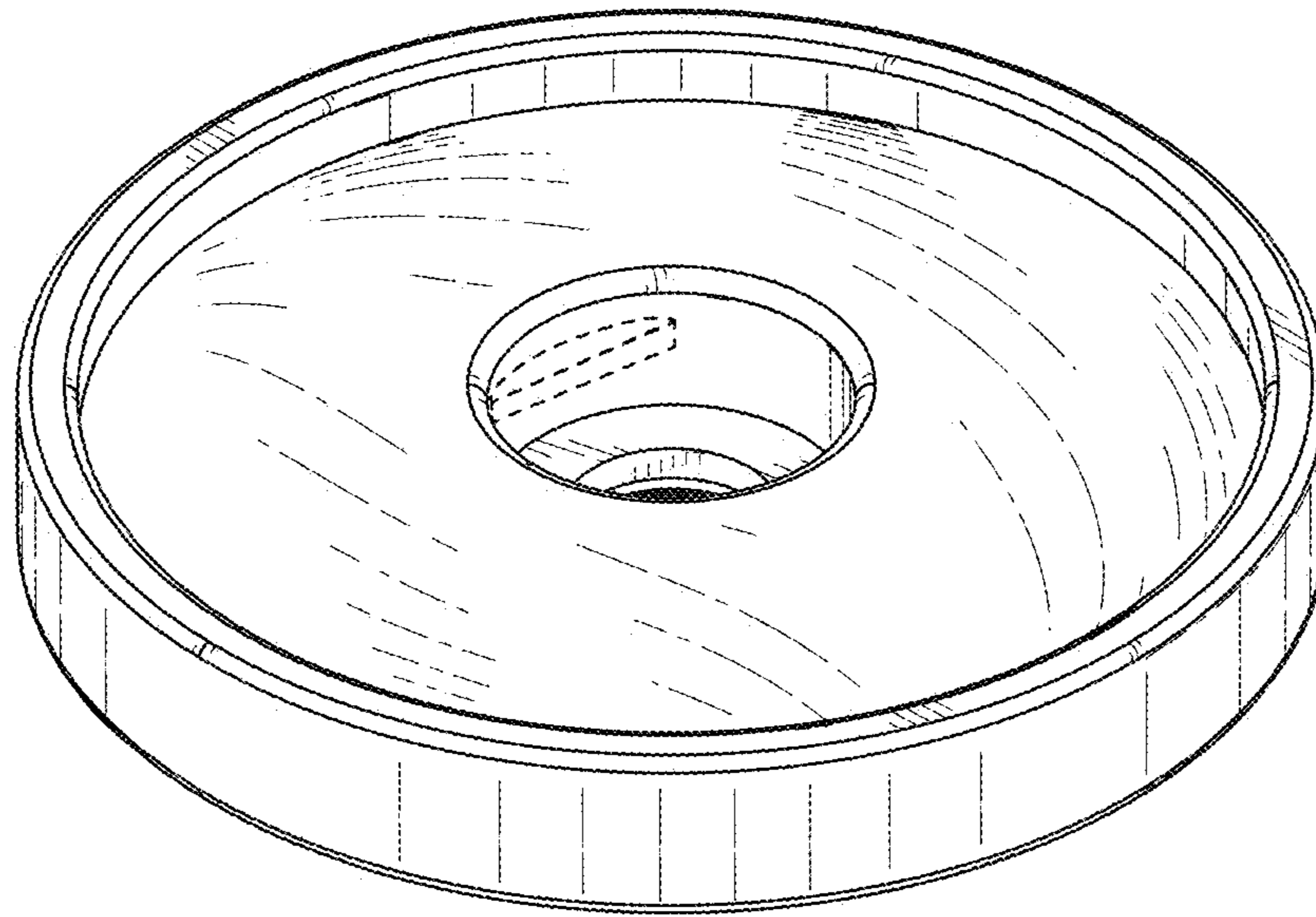


FIG. 1

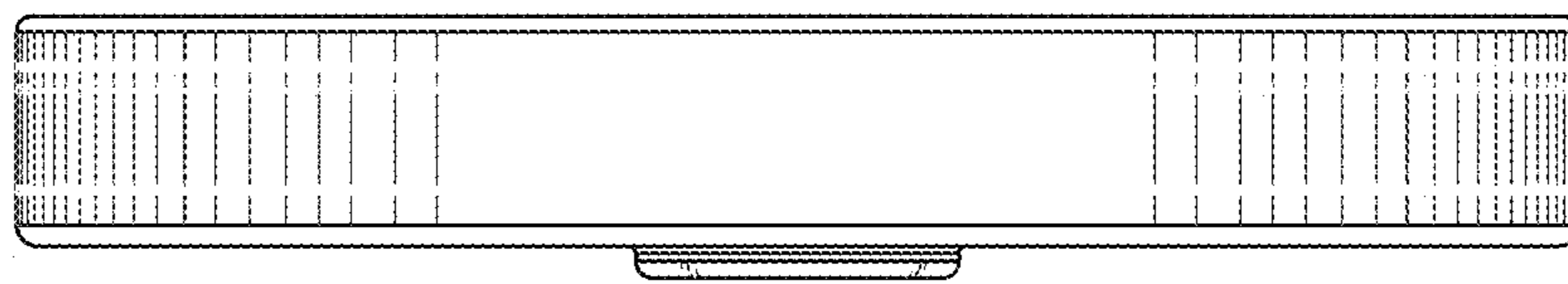


FIG. 2



FIG. 3

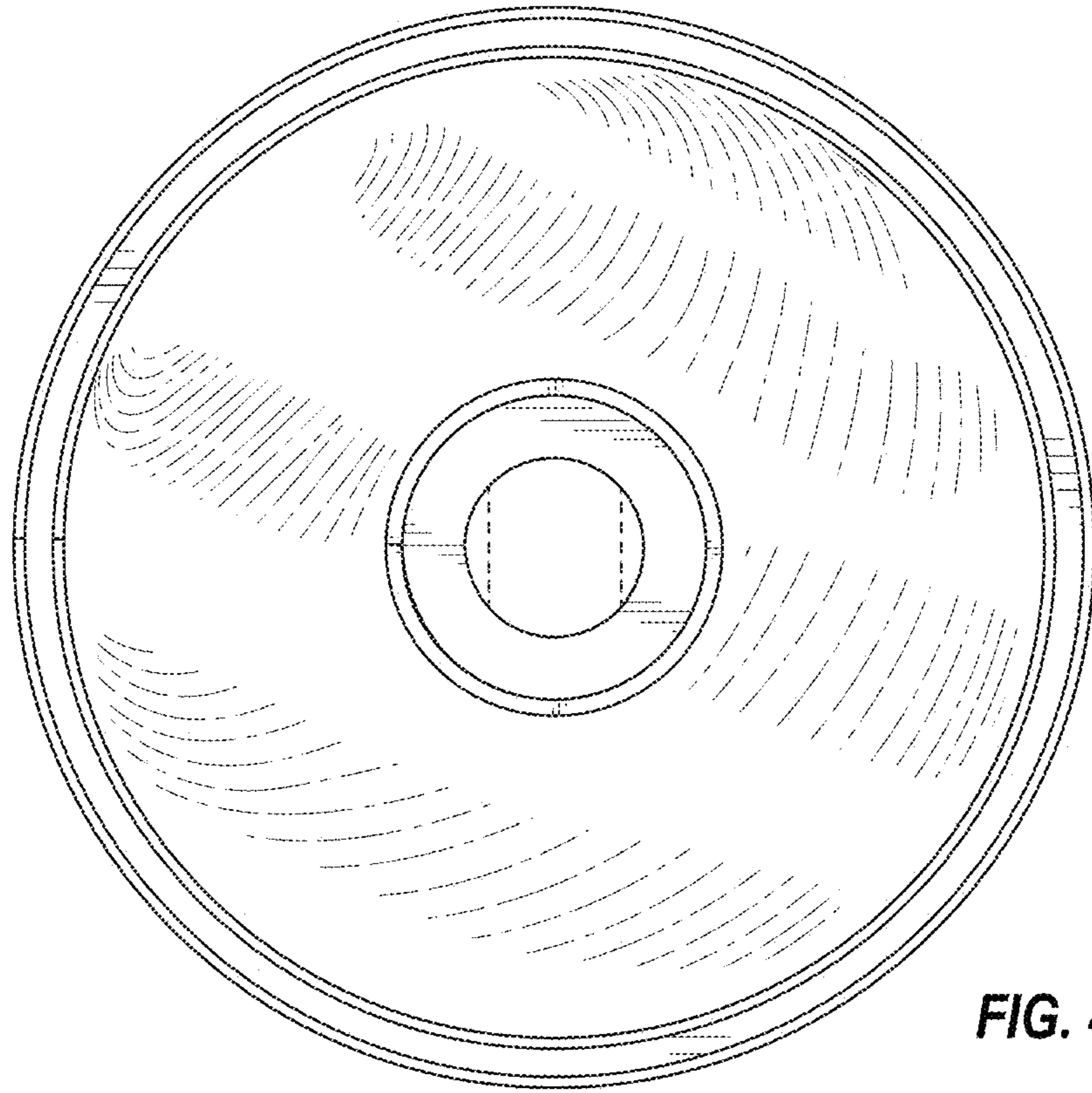


FIG. 4

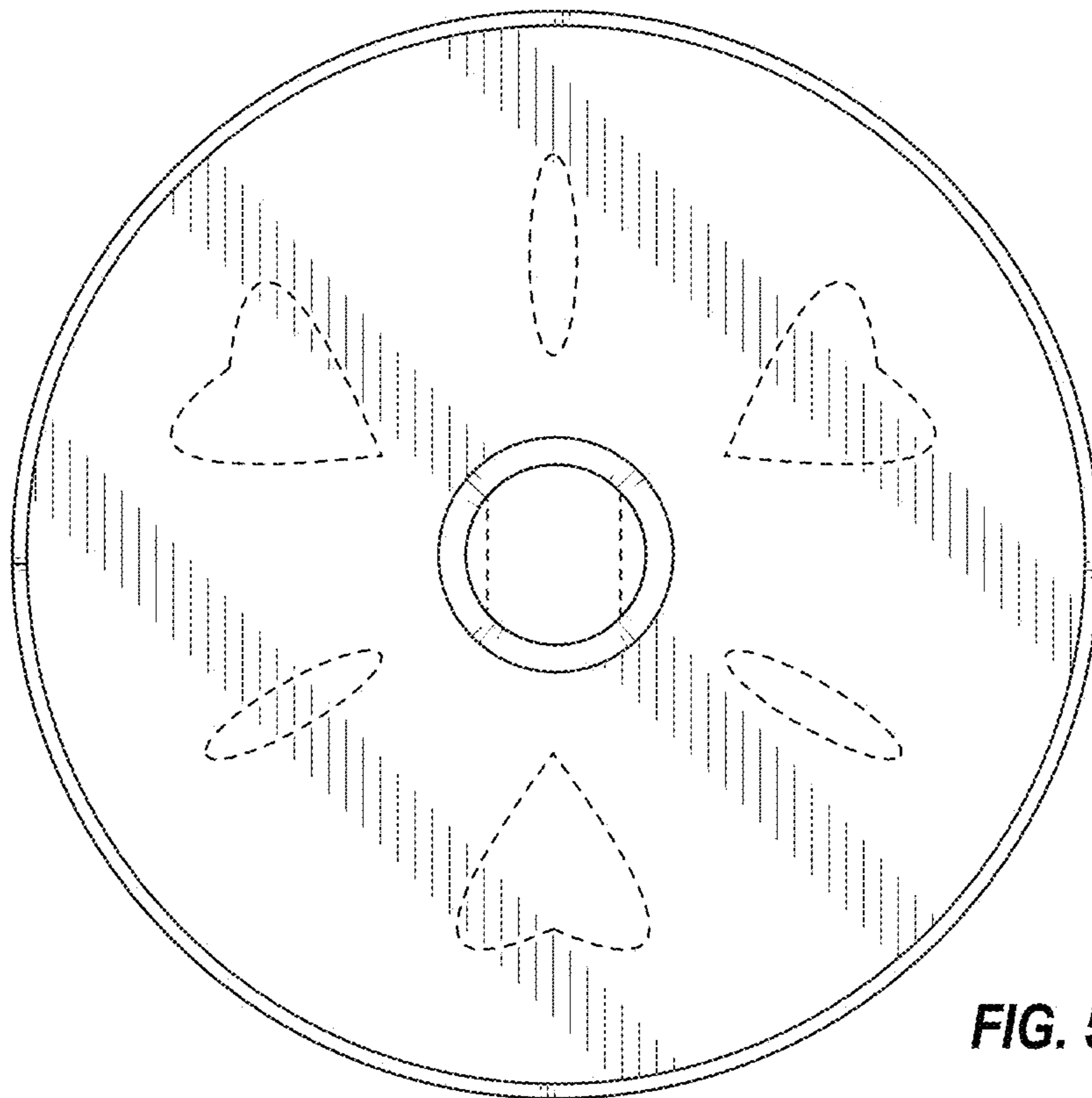


FIG. 5

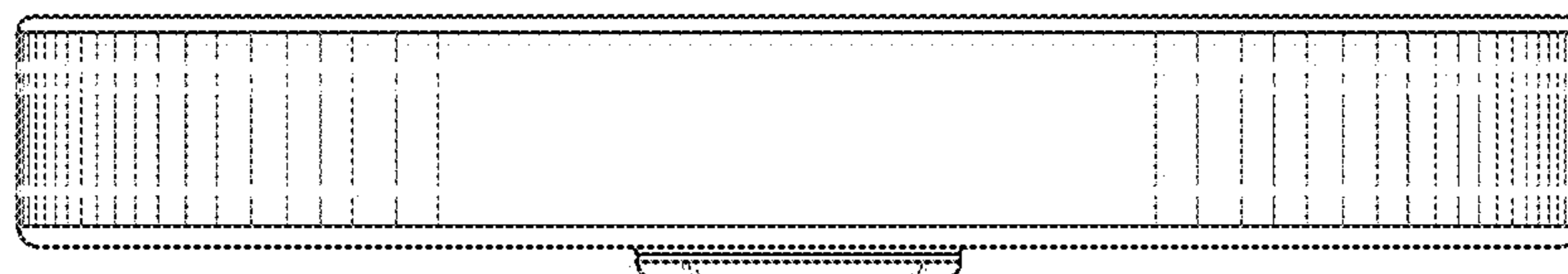


FIG. 6



FIG. 7

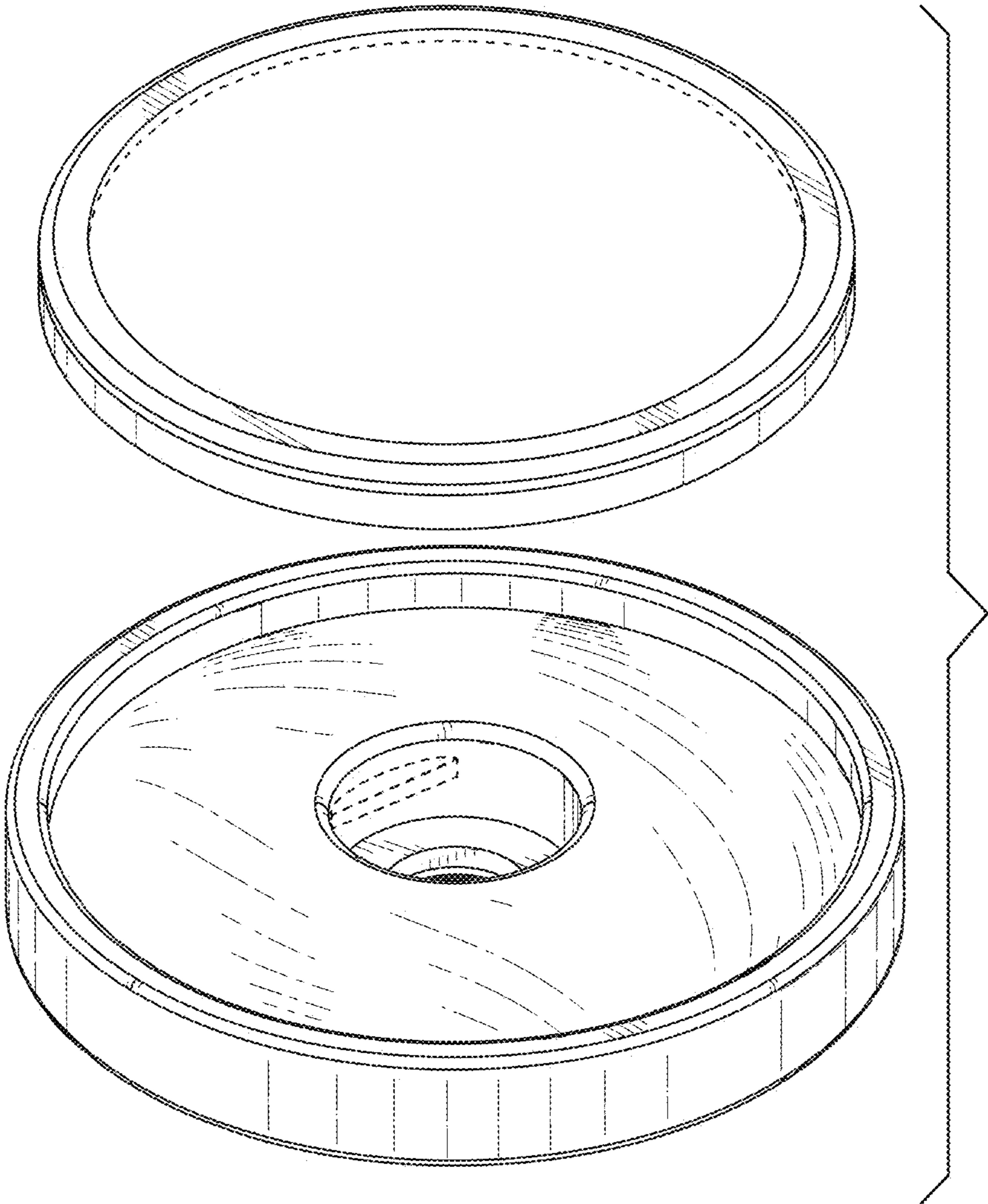


FIG. 8

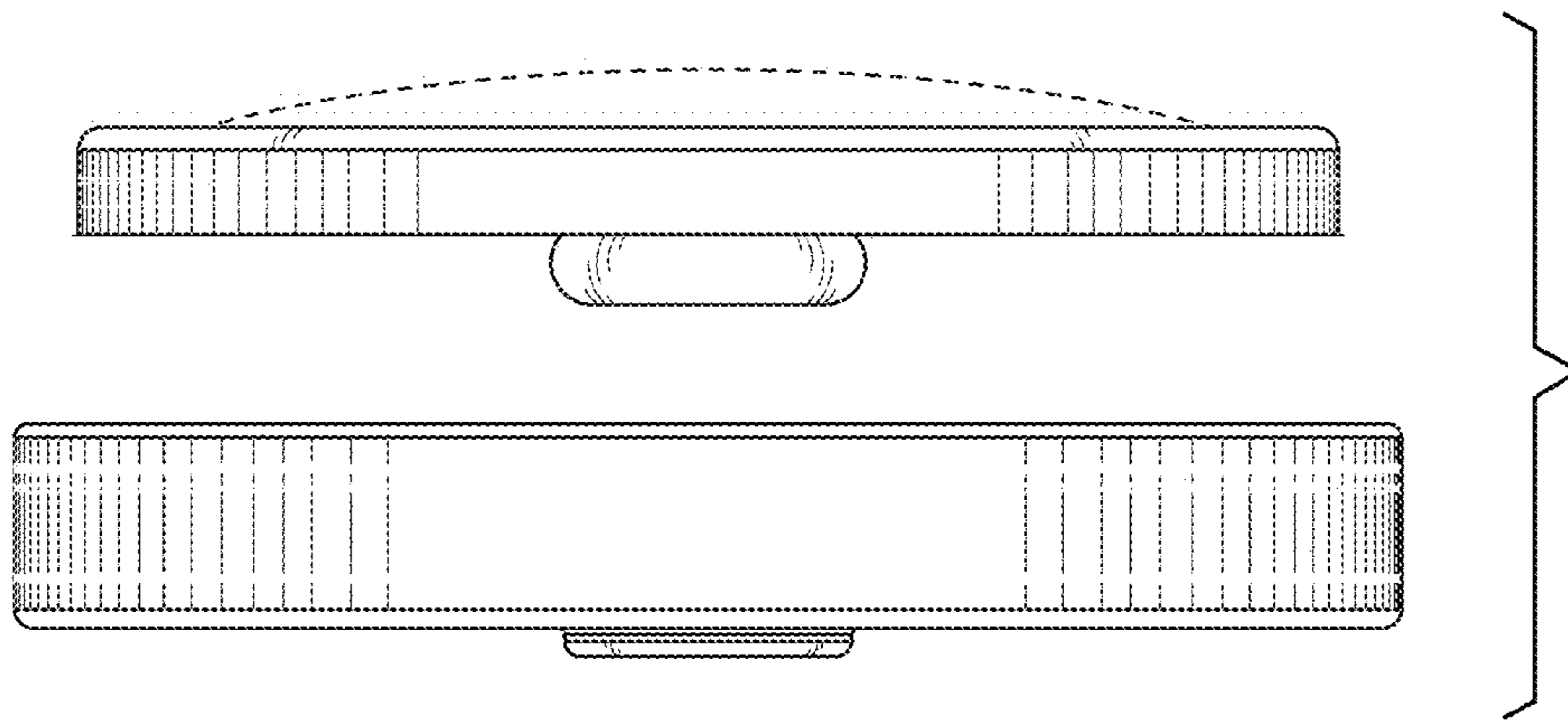


FIG. 9

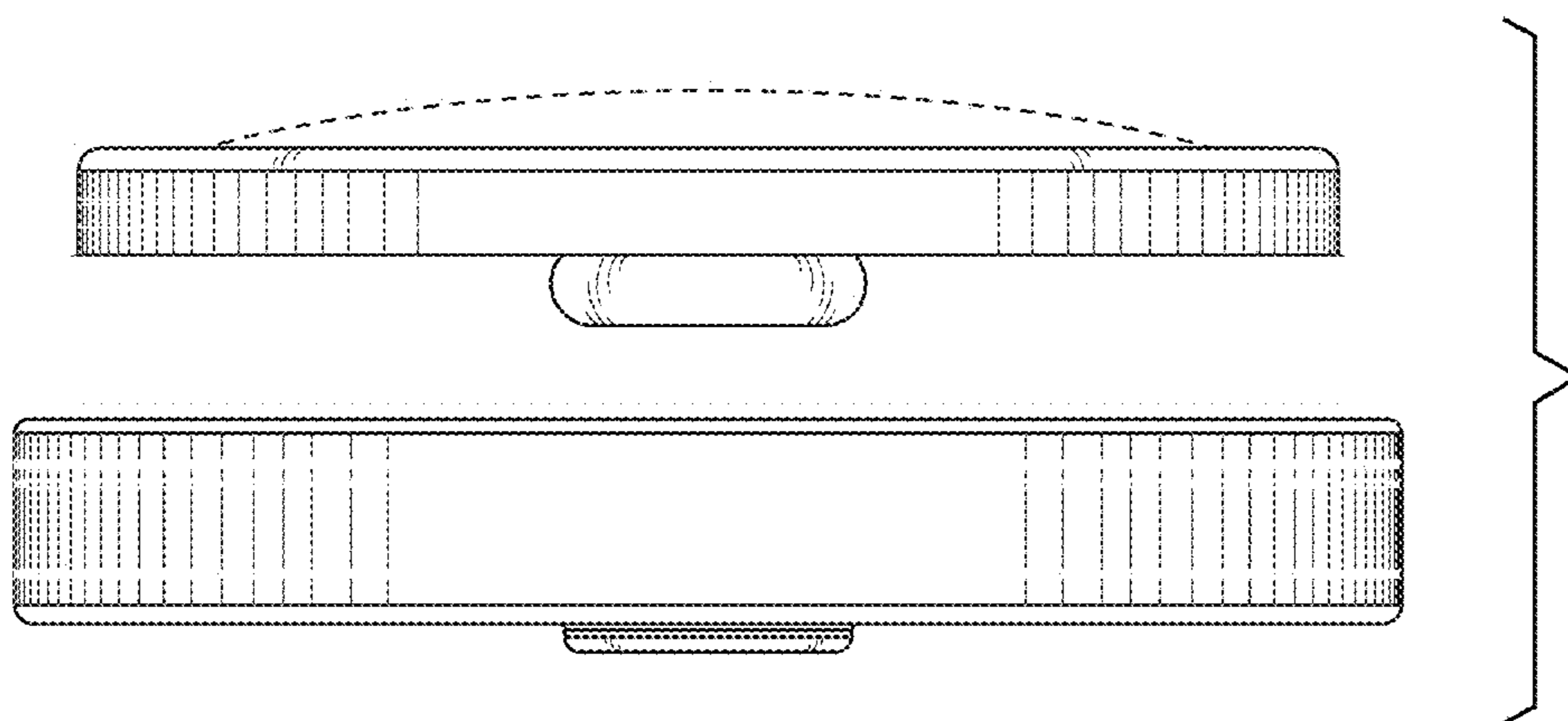


FIG. 10

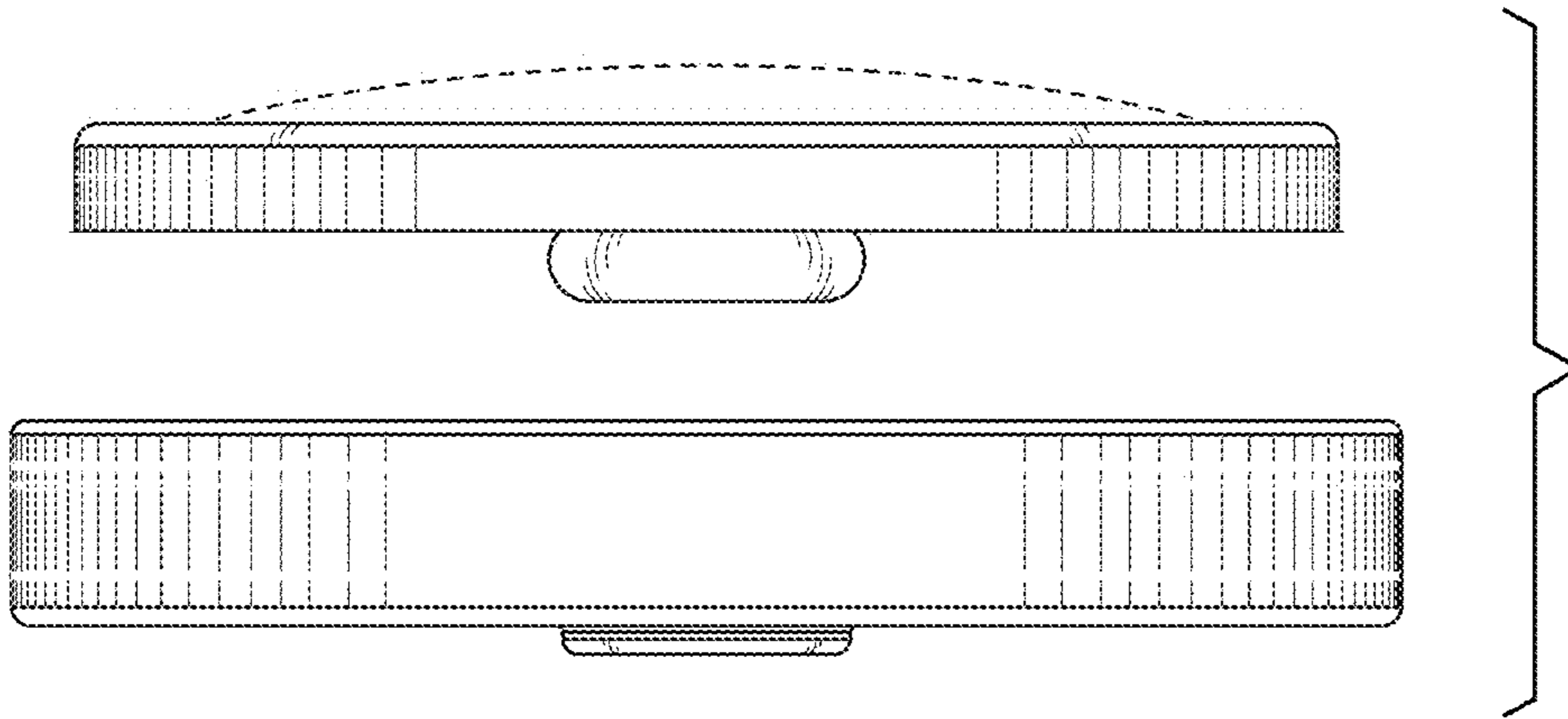


FIG. 11

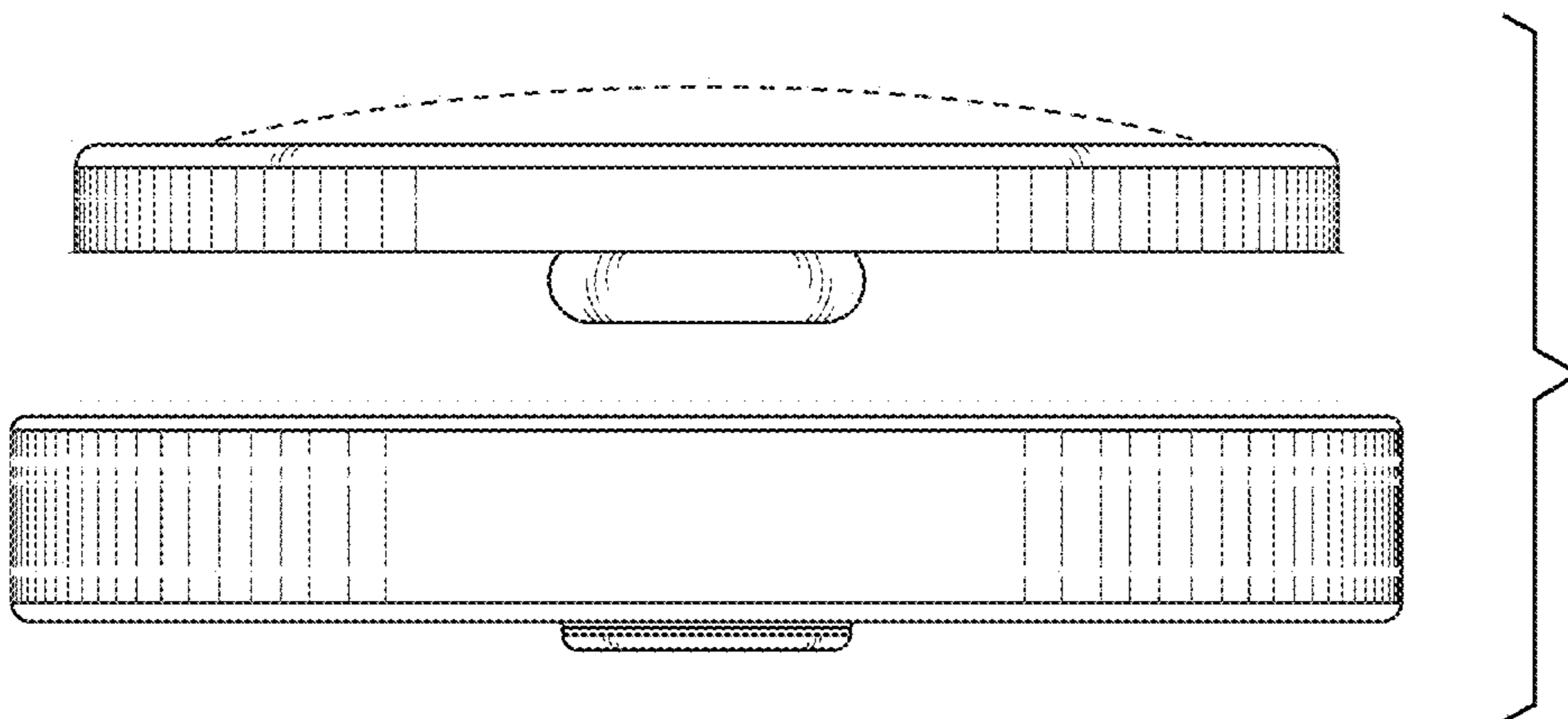


FIG. 12

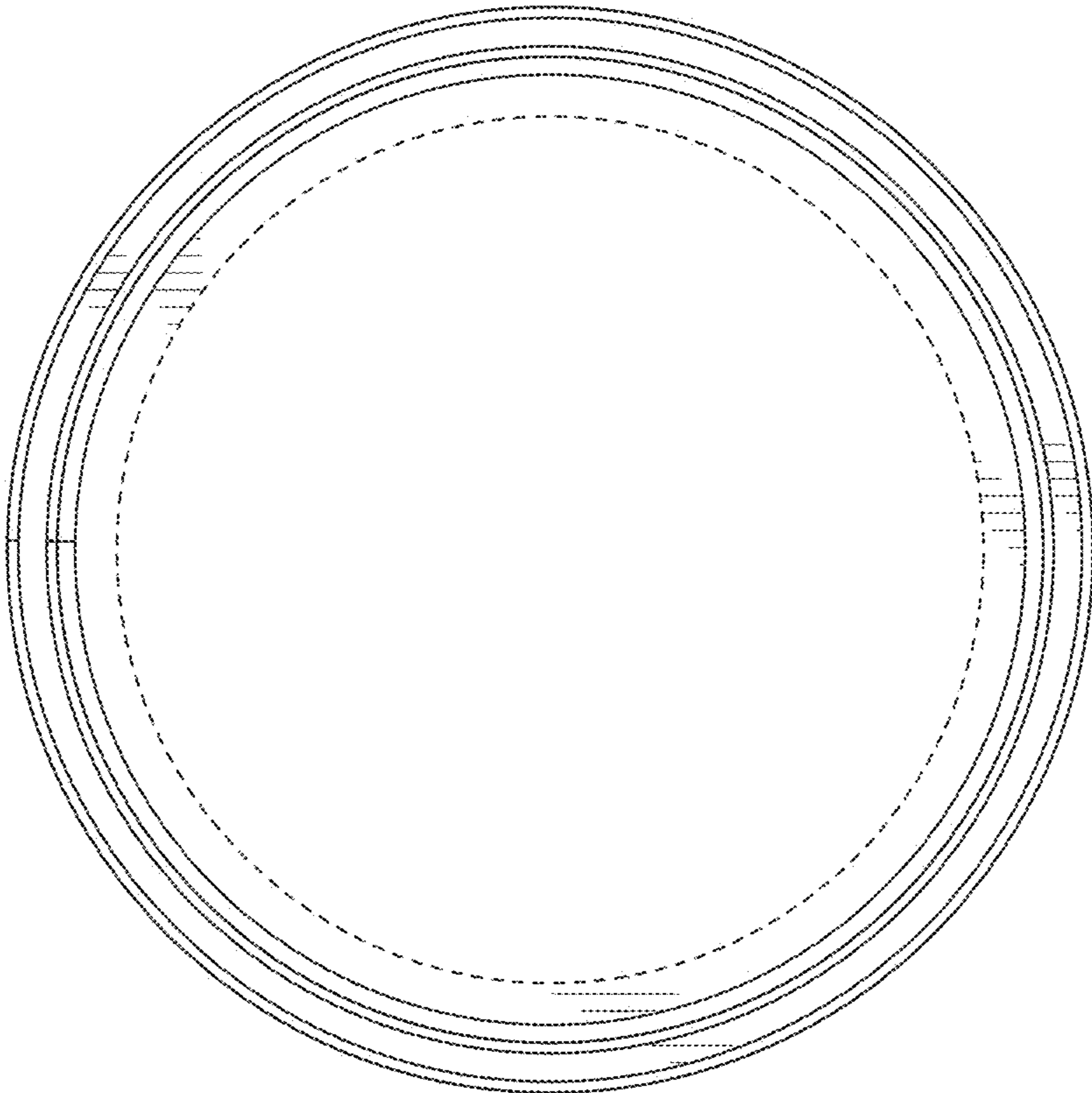


FIG. 13

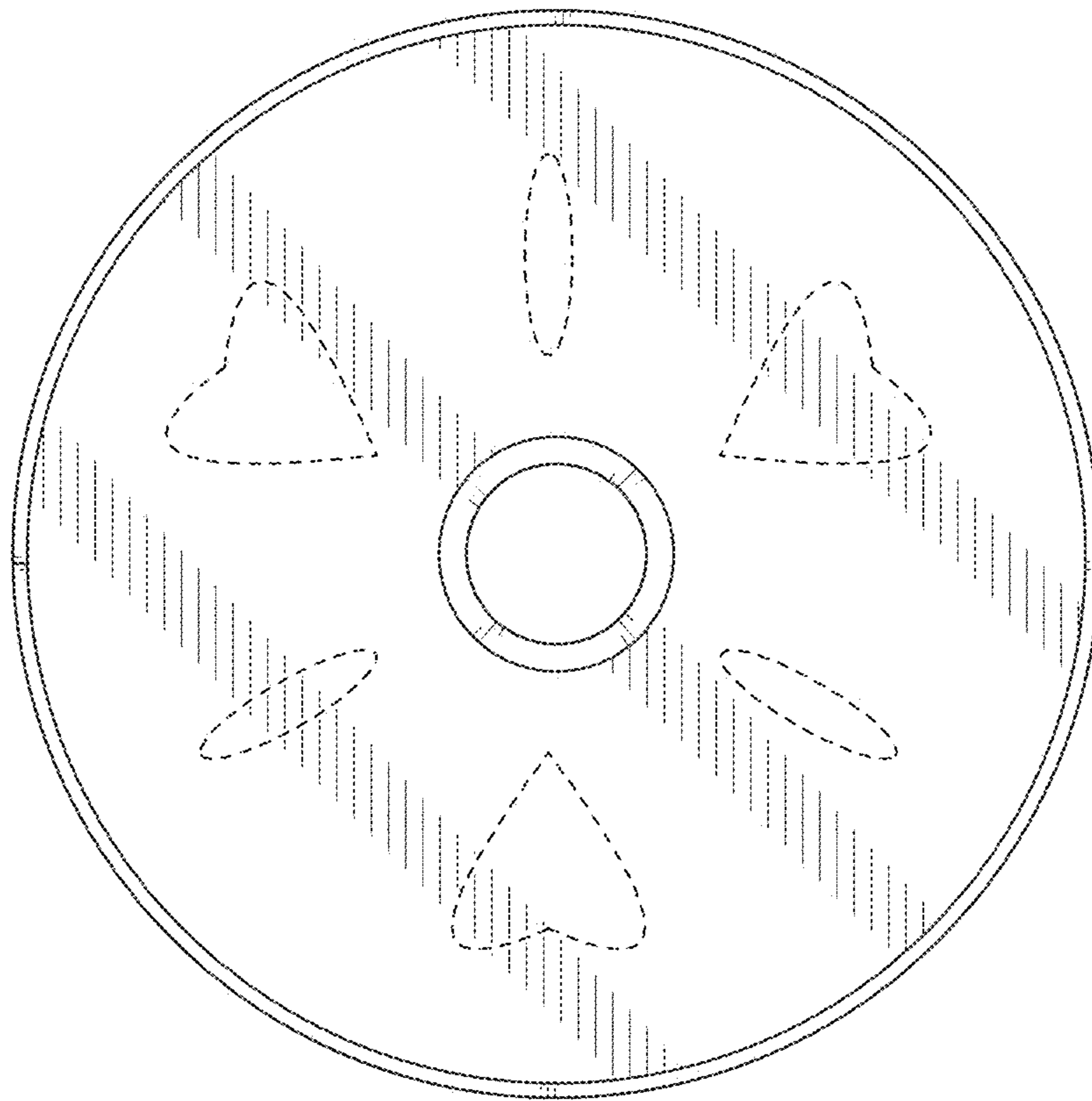


FIG. 14

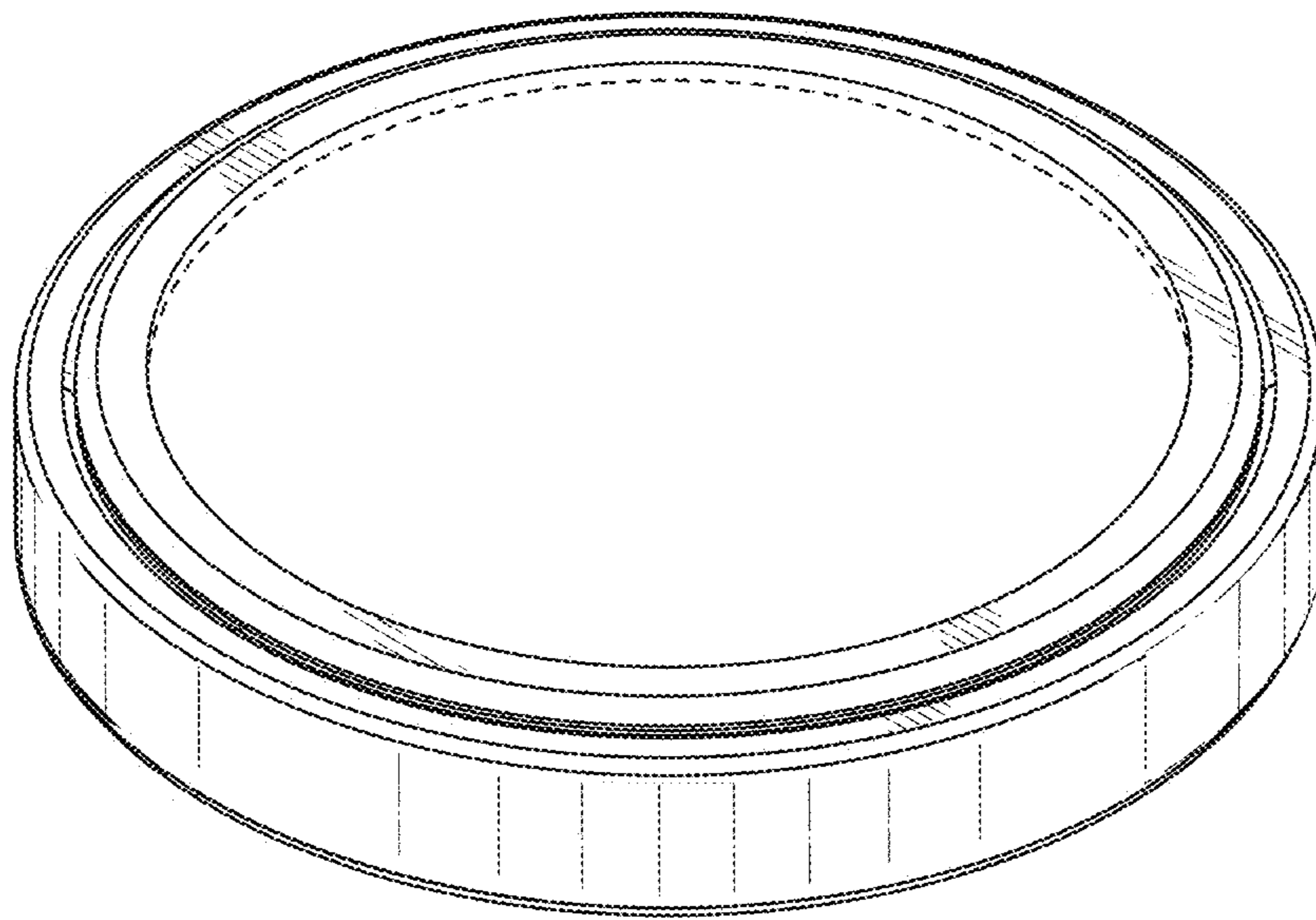


FIG. 15

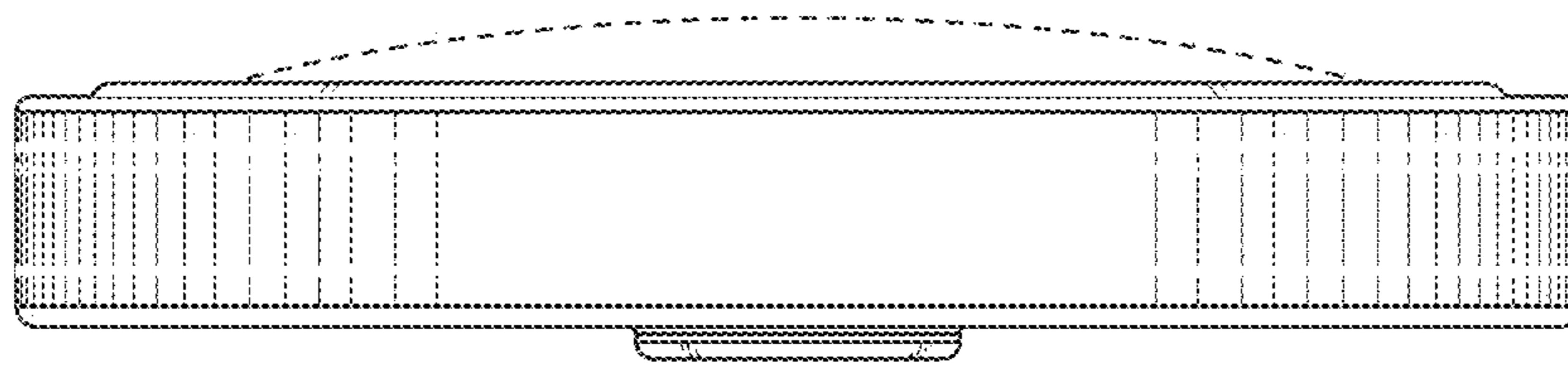


FIG. 16

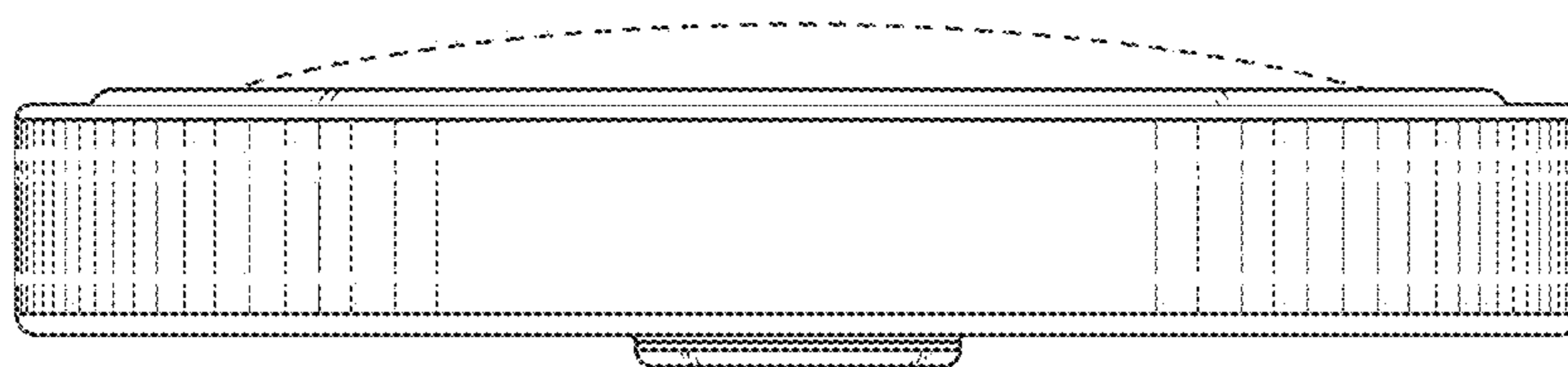


FIG. 17

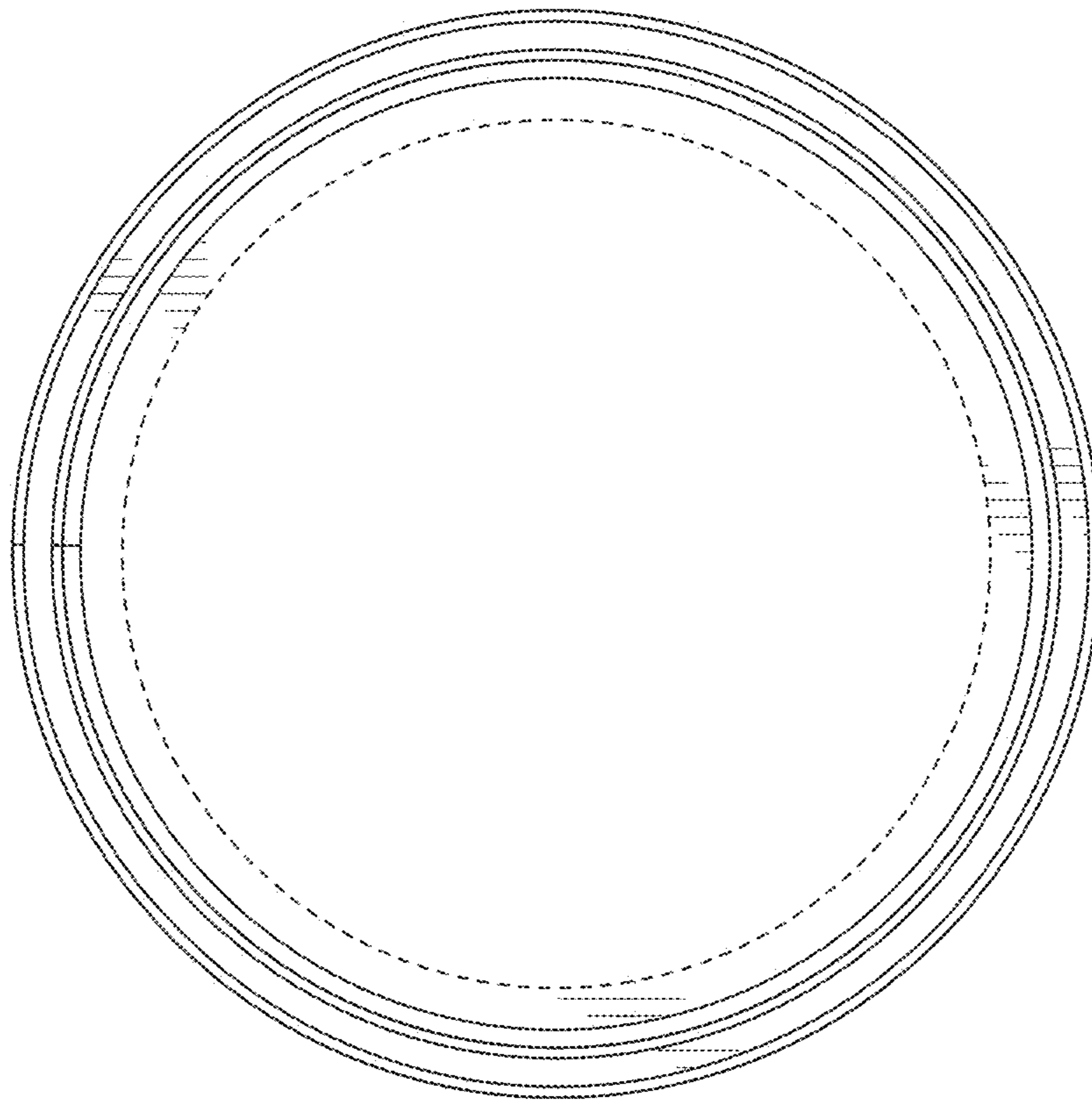


FIG. 18

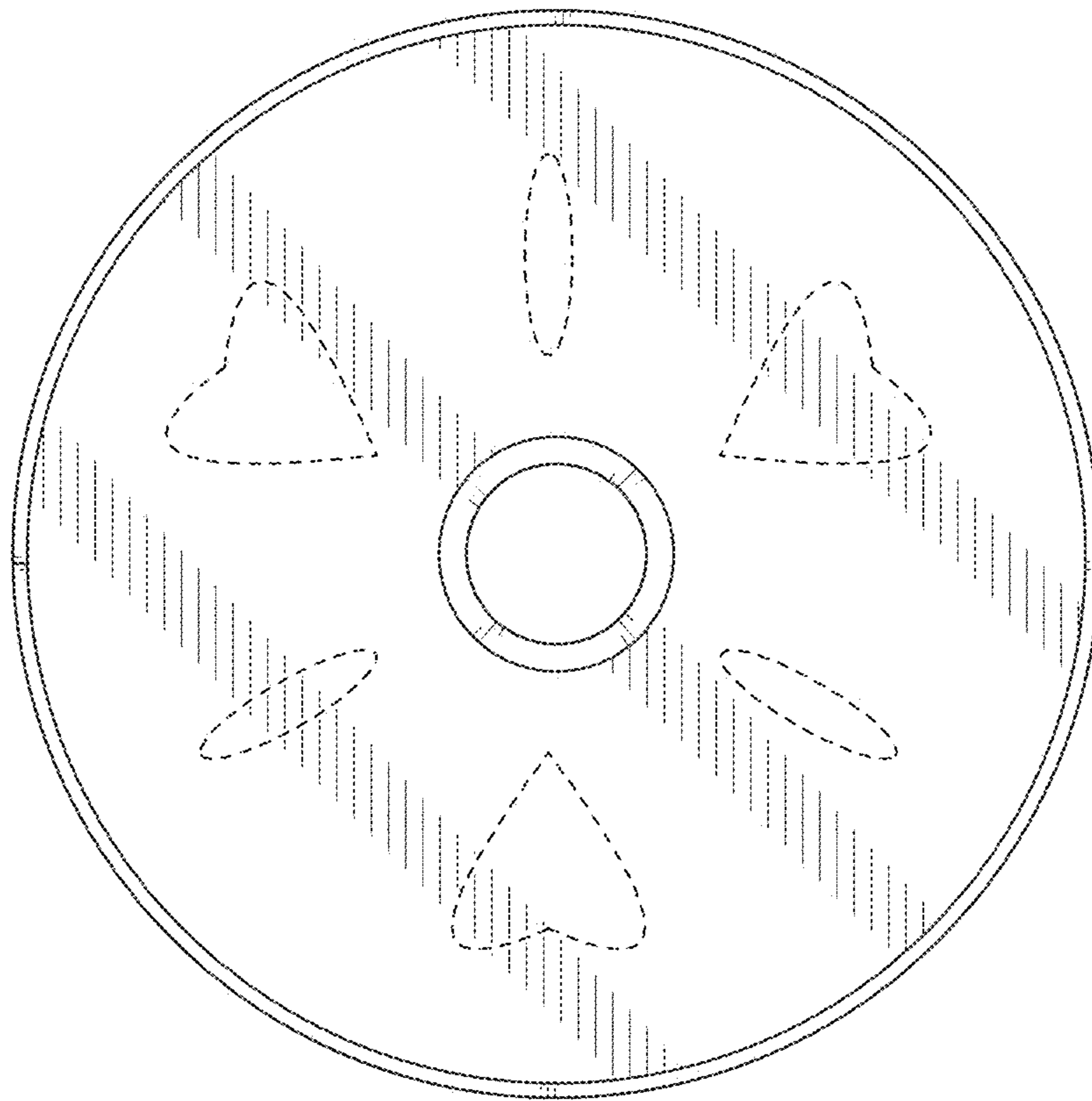


FIG. 19

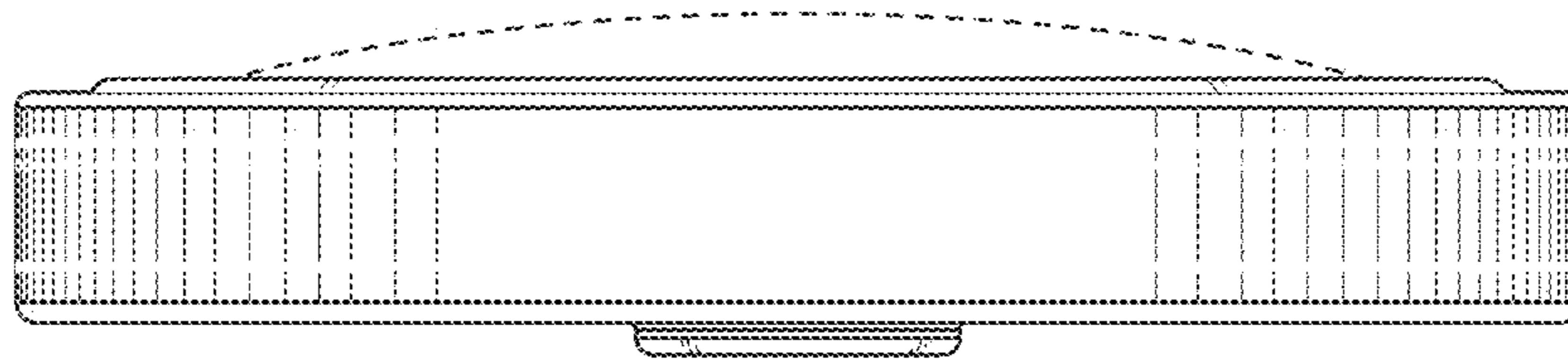


FIG. 20

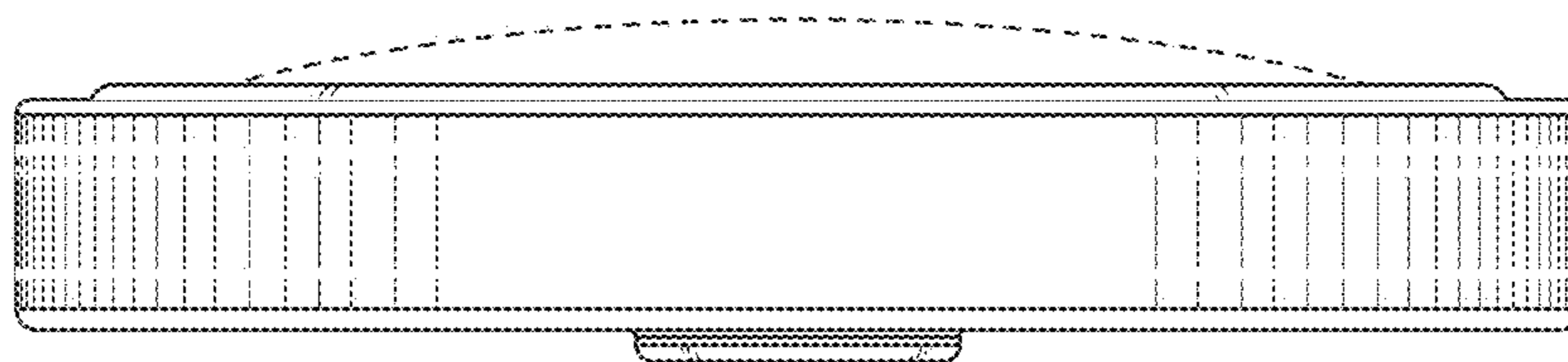


FIG. 21

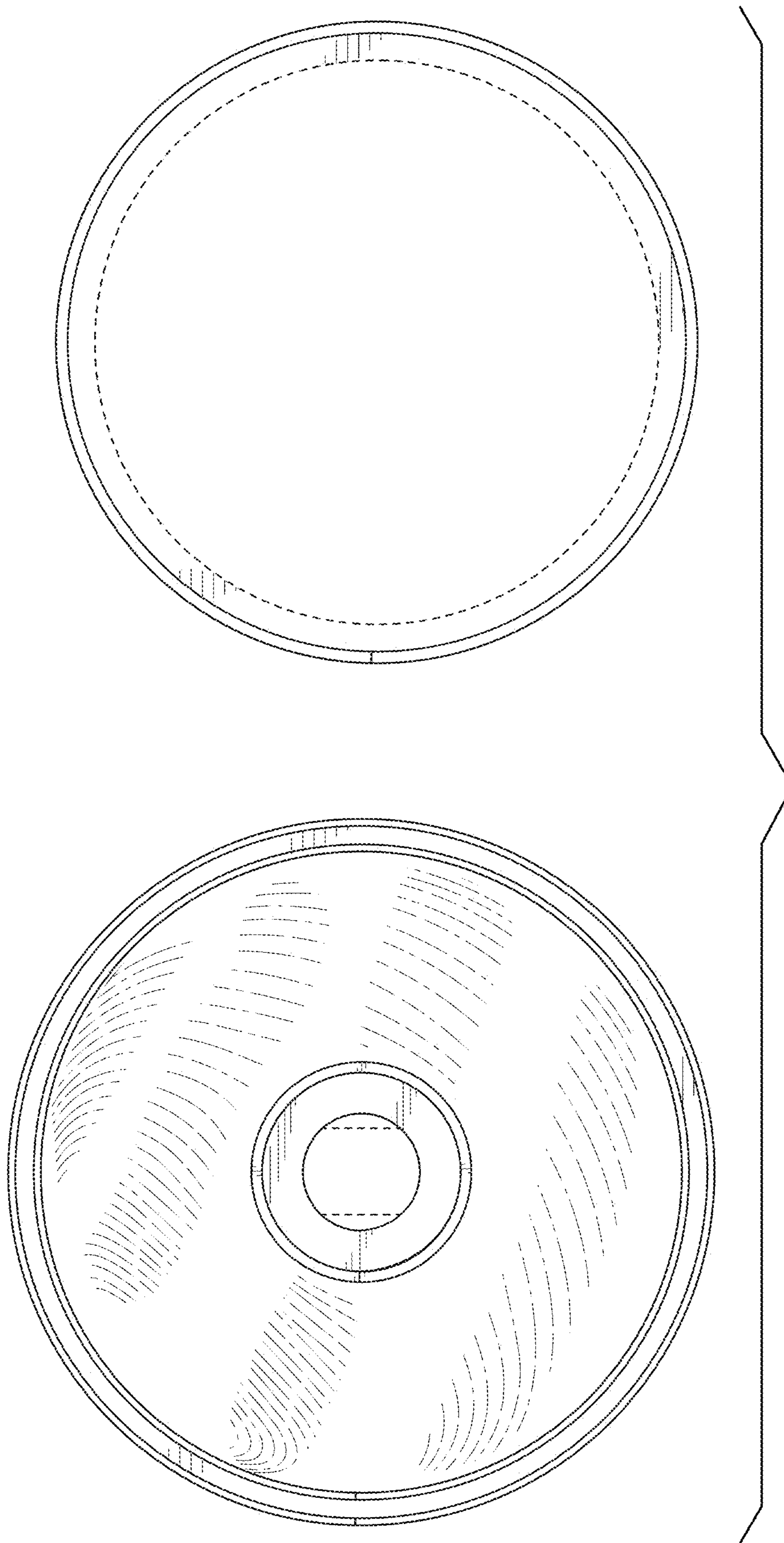


FIG. 22

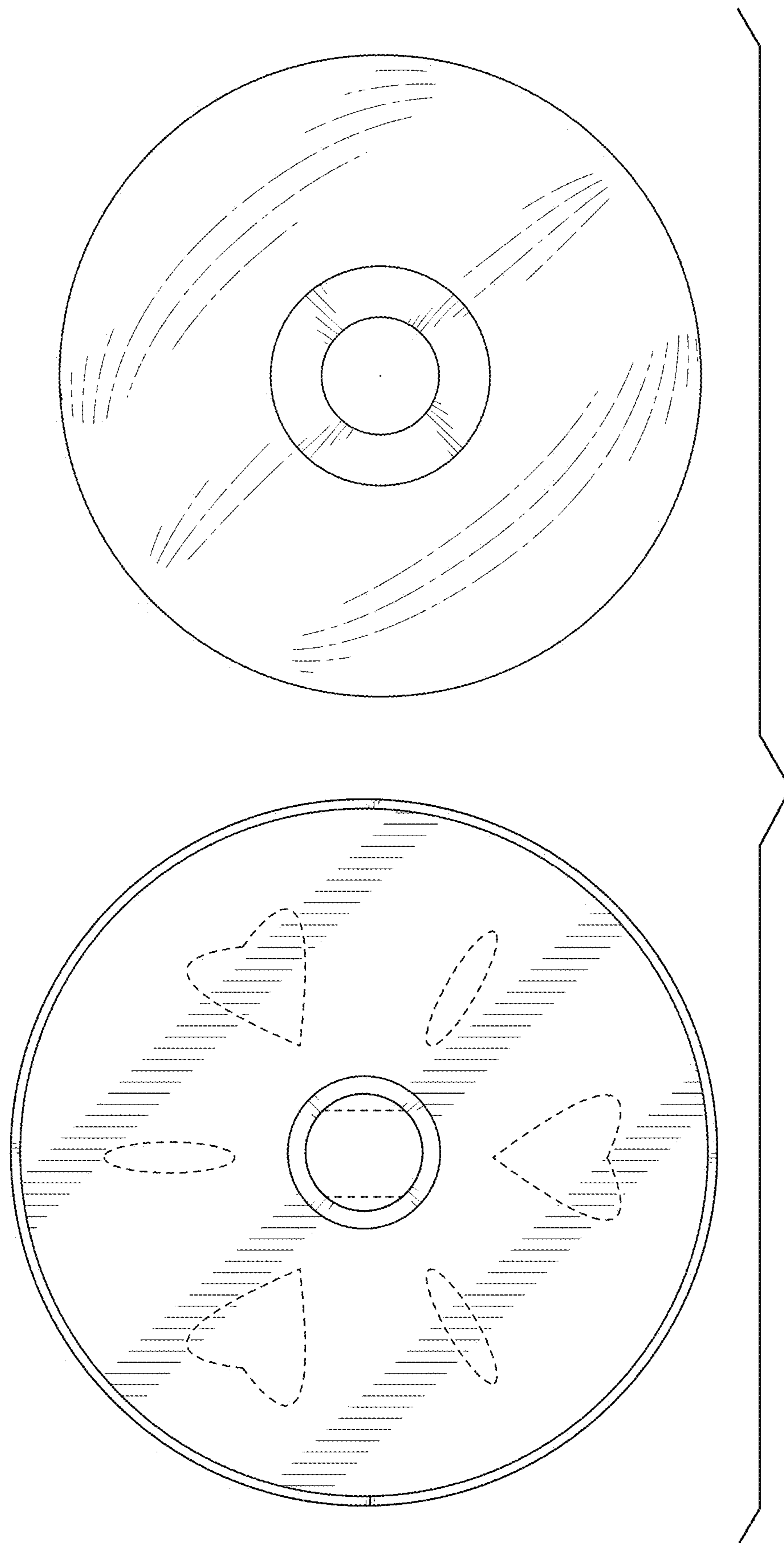


FIG. 23