



US00D911861S

(12) **United States Design Patent**
Gadonniex et al.

(10) **Patent No.:** **US D911,861 S**
(45) **Date of Patent:** **** Mar. 2, 2021**

- (54) **GUARD FOR SMOKE DETECTOR**
- (71) Applicant: **Carrier Corporation**, Palm Beach Gardens, FL (US)
- (72) Inventors: **Dennis Michael Gadonniex**, Bradenton, FL (US); **Joseph Anthony Vidulich**, Englewood, FL (US)
- (73) Assignee: **Carrier Corporation**, Palm Beach Gardens, FL (US)
- (**) Term: **15 Years**
- (21) Appl. No.: **29/679,937**
- (22) Filed: **Feb. 12, 2019**
- (51) **LOC (13) Cl.** **10-05**
- (52) **U.S. Cl.**
USPC **D10/106.5**
- (58) **Field of Classification Search**
USPC D10/106.5, 106.2
CPC E03C 1/262; E04D 13/0409; G08B 17/113
See application file for complete search history.

D358,352 S	5/1995	Behlke	
D377,460 S	1/1997	Nelson et al.	
D382,217 S	8/1997	Akiyama et al.	
D383,407 S	9/1997	Repp et al.	
D395,614 S	6/1998	Denoon-Stevens	
6,165,357 A *	12/2000	Cormier	E04D 13/0409 210/163
D446,741 S	8/2001	Johnson et al.	
D446,844 S	8/2001	Claussen et al.	
D450,106 S	11/2001	Herr	
D466,198 S	11/2002	Mullings	
7,415,802 B2 *	8/2008	Froeter	E04D 13/0409 210/163
D578,619 S	10/2008	Rattenbury	
D591,629 S	5/2009	Tsurumi	
D628,108 S	11/2010	Akdag et al.	
D673,246 S	12/2012	Lee	
D739,209 S	9/2015	Lohmann	
D743,509 S	11/2015	Traub et al.	
D745,821 S	12/2015	Lohmann	
9,830,794 B2	11/2017	Stowell et al.	
10,106,967 B2 *	10/2018	Sebolt	E03C 1/262
D849,580 S *	5/2019	Arikawa	D10/106.5
D871,245 S *	12/2019	Arikawa	D10/106.5

* cited by examiner

Primary Examiner — George D. Kirschbaum
(74) *Attorney, Agent, or Firm* — Carlson, Gaskey & Olds, P.C.

(56) **References Cited**

U.S. PATENT DOCUMENTS

D238,057 S *	12/1975	Pearsall et al.	D10/106.5
D249,482 S	9/1978	Conforti et al.	
4,238,679 A *	12/1980	Macmillan	G08B 17/113 250/385.1
D269,161 S *	5/1983	Fenne	D10/106.5
D269,331 S	6/1983	Fenne	
D308,835 S	6/1990	Fenne	
D308,836 S	6/1990	Fenne	
D316,828 S	5/1991	Amemiya et al.	
D340,201 S	10/1993	Fenne et al.	
D340,416 S	10/1993	Fenne	
D356,050 S	5/1995	Tice et al.	
D358,351 S	5/1995	Behlke	

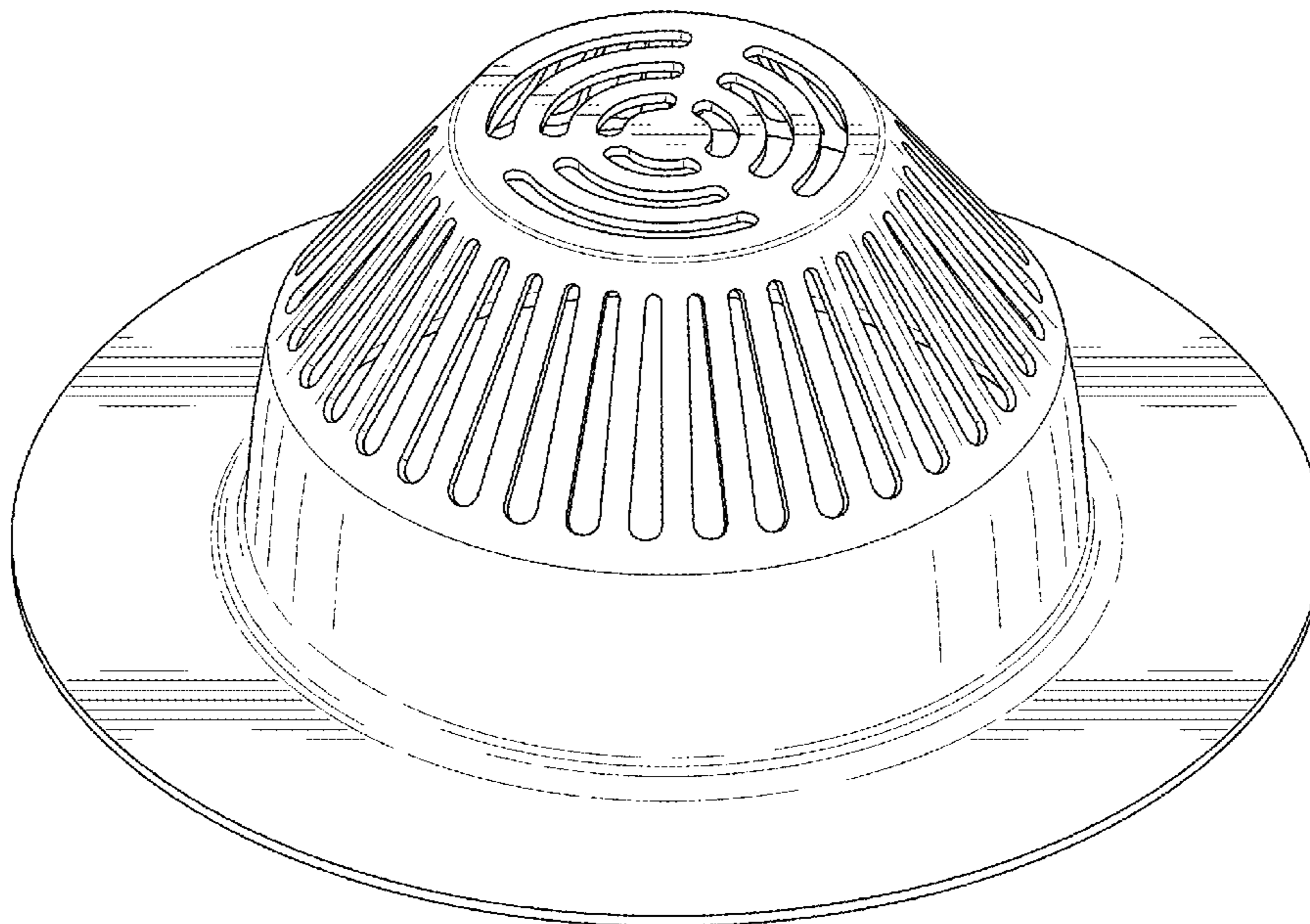
(57) **CLAIM**

The ornamental design of a guard for a smoke detector, as shown and described.

DESCRIPTION

FIG. 1 is a perspective view of a guard for a smoke detector. FIG. 2 is a perspective view of the guard of FIG. 1. FIG. 3 is a side view of the guard of FIG. 1. FIG. 4 is a top view of the guard of FIG. 1. FIG. 5 is a bottom view of the guard of FIG. 1.

1 Claim, 5 Drawing Sheets



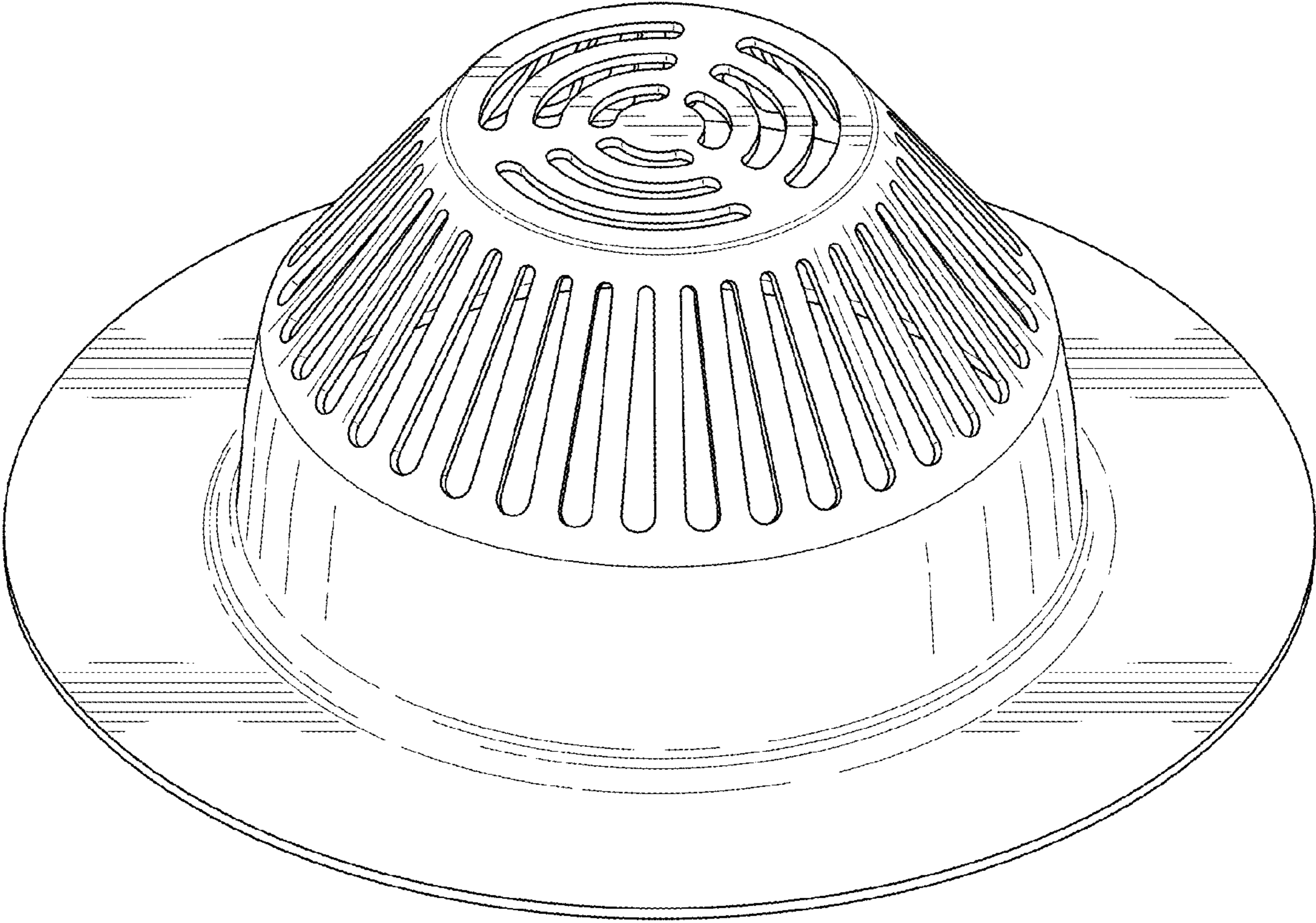


FIG. 1

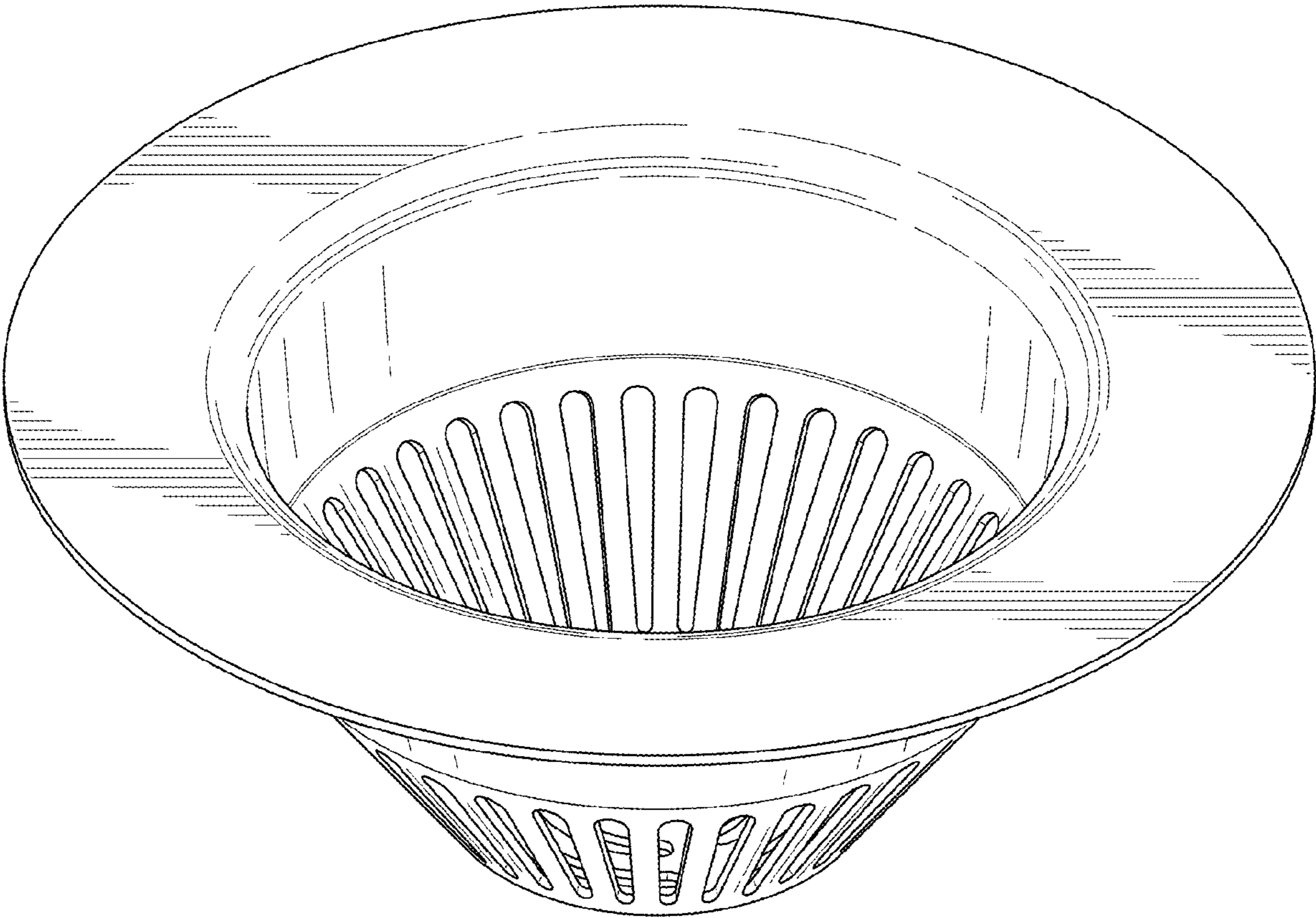


FIG. 2

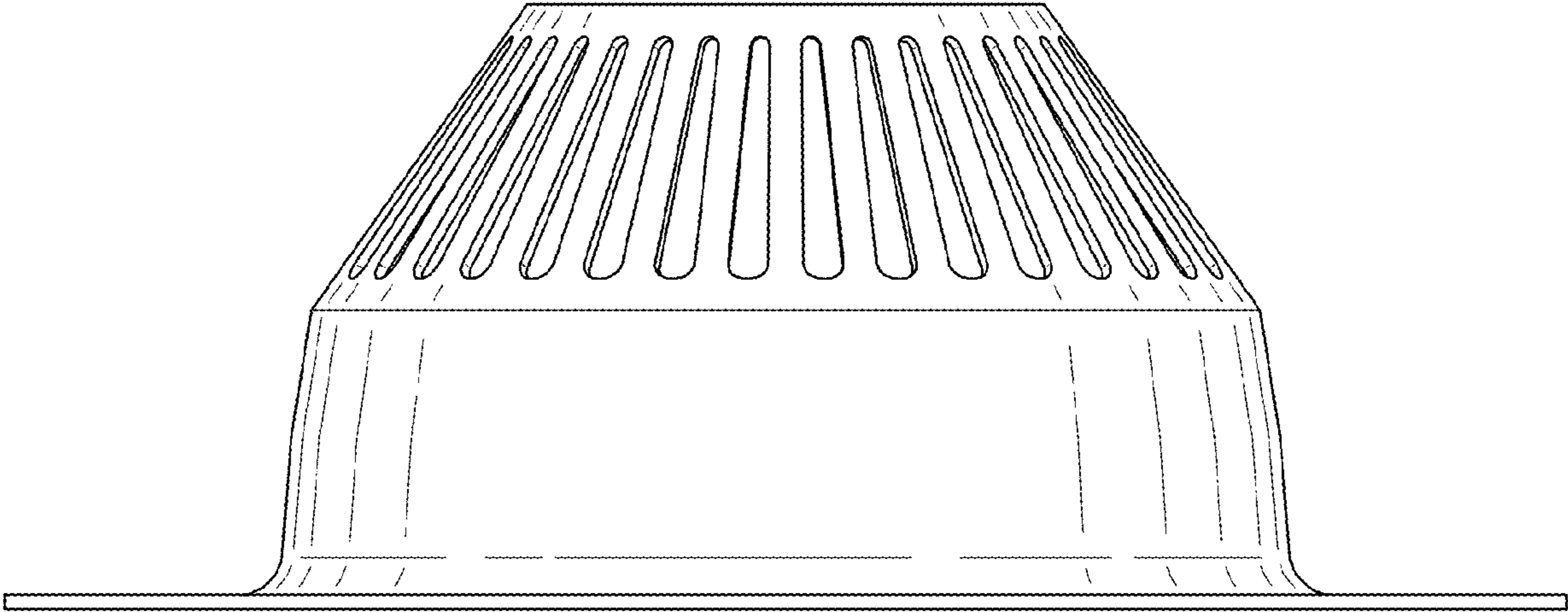


FIG. 3

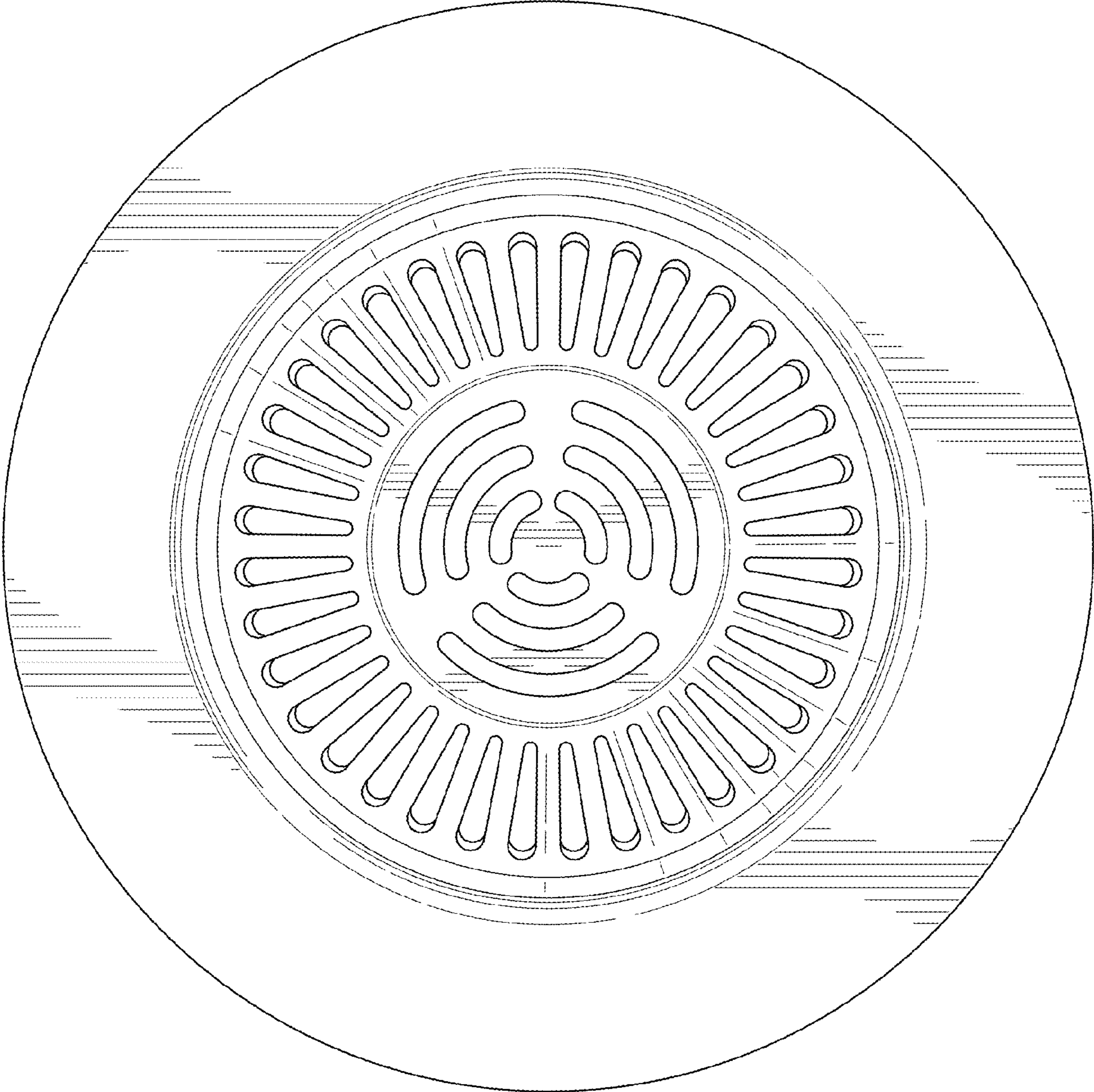


FIG. 4

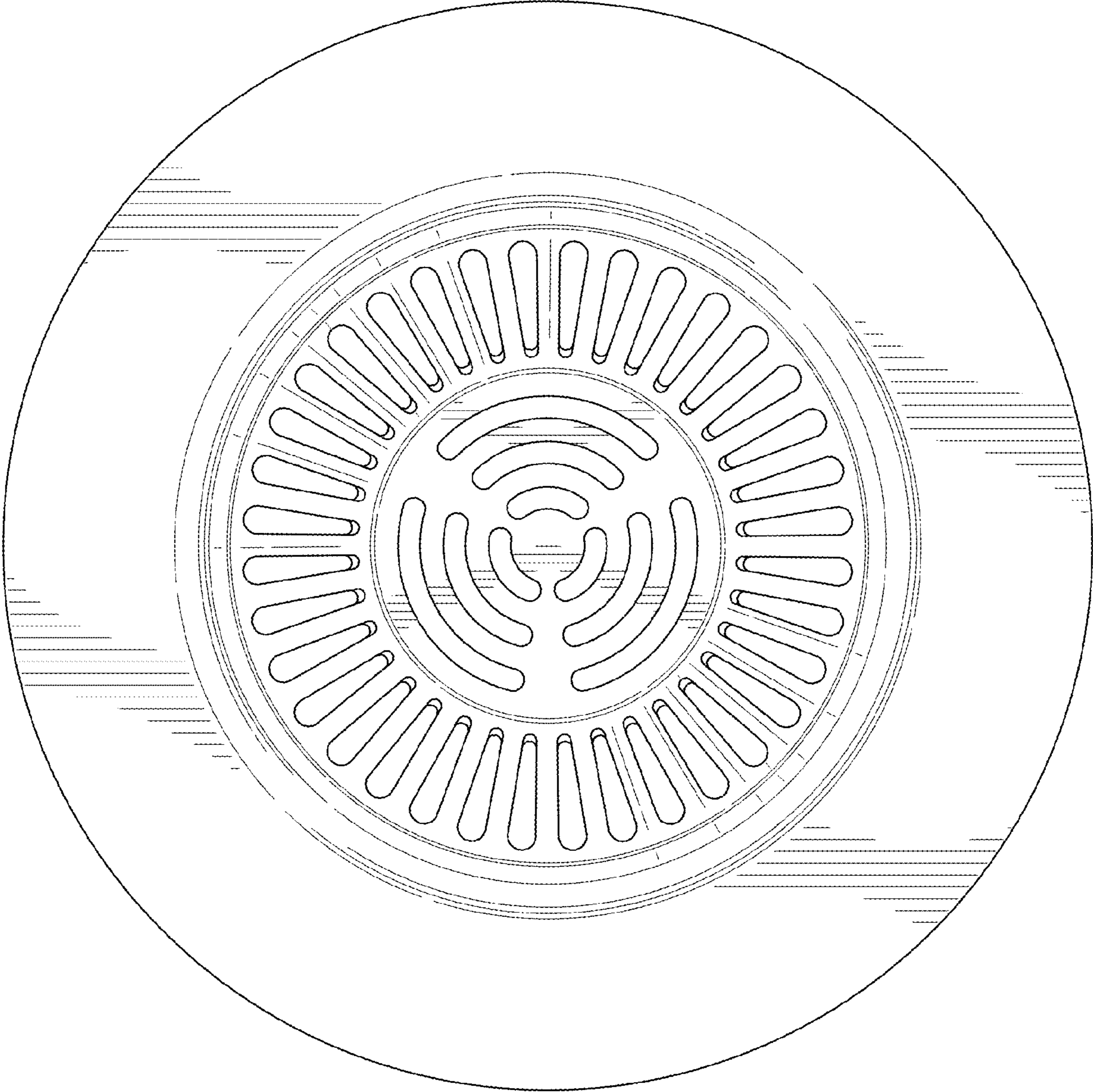


FIG. 5