



US00D911860S

(12) **United States Design Patent** (10) **Patent No.:** **US D911,860 S**
Schoenherr et al. (45) **Date of Patent:** **** Mar. 2, 2021**

(54) **WIRELESS POSITION INDICATOR**

(56) **References Cited**

(71) Applicant: **TRUMPF GmbH + Co. KG**, Ditzingen (DE)

U.S. PATENT DOCUMENTS

(72) Inventors: **Tom Schoenherr**, Stuttgart (DE); **Dina Gallo**, Stuttgart (DE); **Ulrich Muhs**, Ditzingen (DE)

D683,251 S *	5/2013	Dumas	D10/104.2
D746,166 S *	12/2015	Li	D10/104.1
D790,372 S *	6/2017	Daoura	D10/70
D790,373 S *	6/2017	Daoura	D10/70
D807,215 S *	1/2018	Martin	D10/104.1
D809,951 S *	2/2018	Yang	D10/104.1
D812,577 S *	3/2018	Turksu	D13/168
D814,952 S *	4/2018	Taylor	D10/104.1
D858,497 S *	9/2019	Laurans	D14/240
D862,271 S *	10/2019	Guido	D10/119.3
D866,371 S *	11/2019	Wheaton	D10/70
D890,006 S *	7/2020	Takano	D10/104.1

(73) Assignee: **TRUMPF GmbH + Co. KG**, Ditzingen (DE)

(**) Term: **15 Years**

* cited by examiner

(21) Appl. No.: **35/507,854**

Primary Examiner — George D. Kirschbaum
(74) *Attorney, Agent, or Firm* — Fish & Richardson P.C.

(22) Filed: **Apr. 10, 2019**

(80) **Hague Agreement Data**

Int. Filing Date: **Apr. 10, 2019**
Int. Reg. No.: **DM/204015**
Int. Reg. Date: **Apr. 10, 2019**
Int. Reg. Pub. Date: **Nov. 22, 2019**

(57) **CLAIM**

The ornamental design for wireless position indicator, as shown and described.

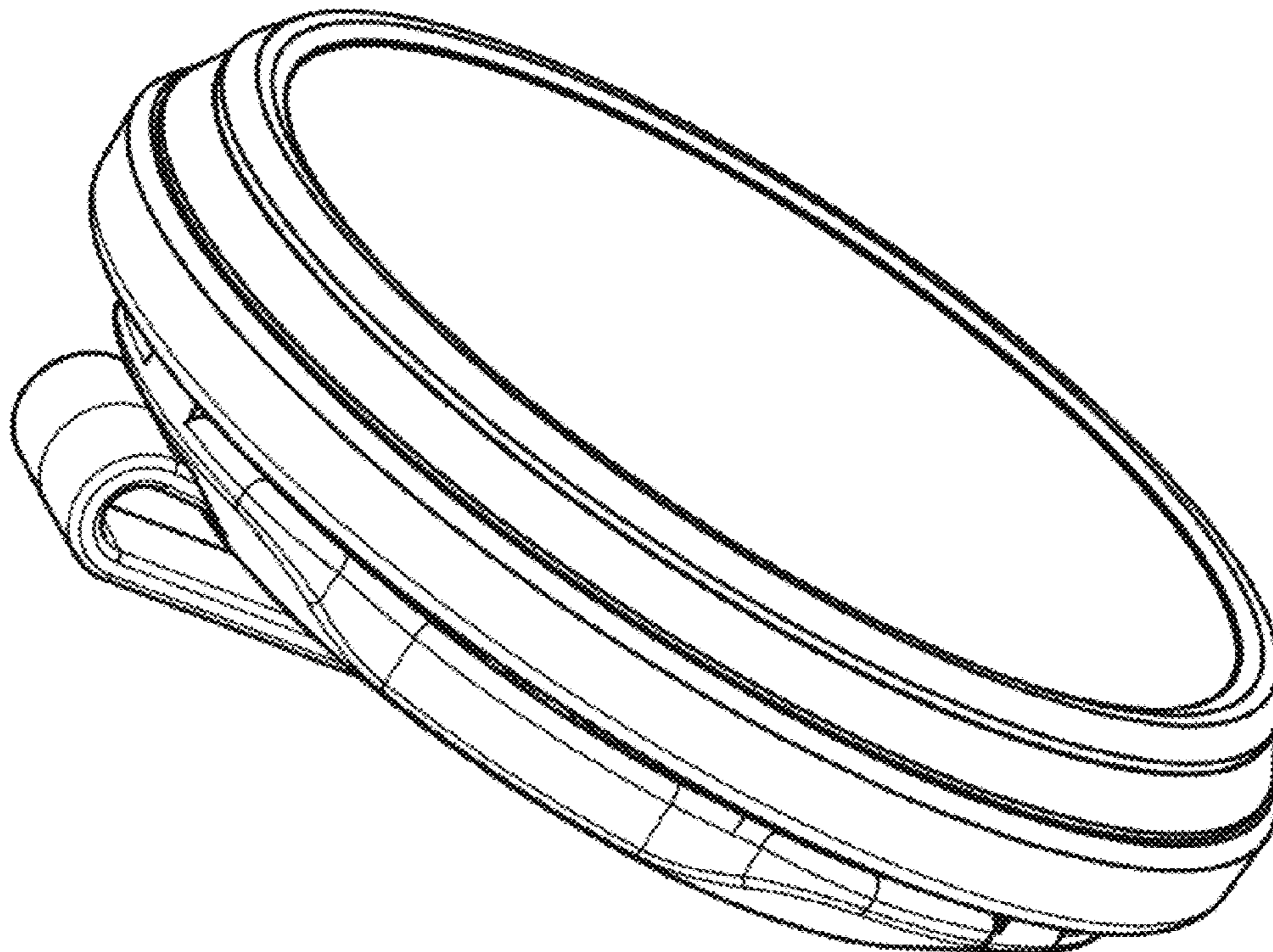
(30) **Foreign Application Priority Data**

DESCRIPTION

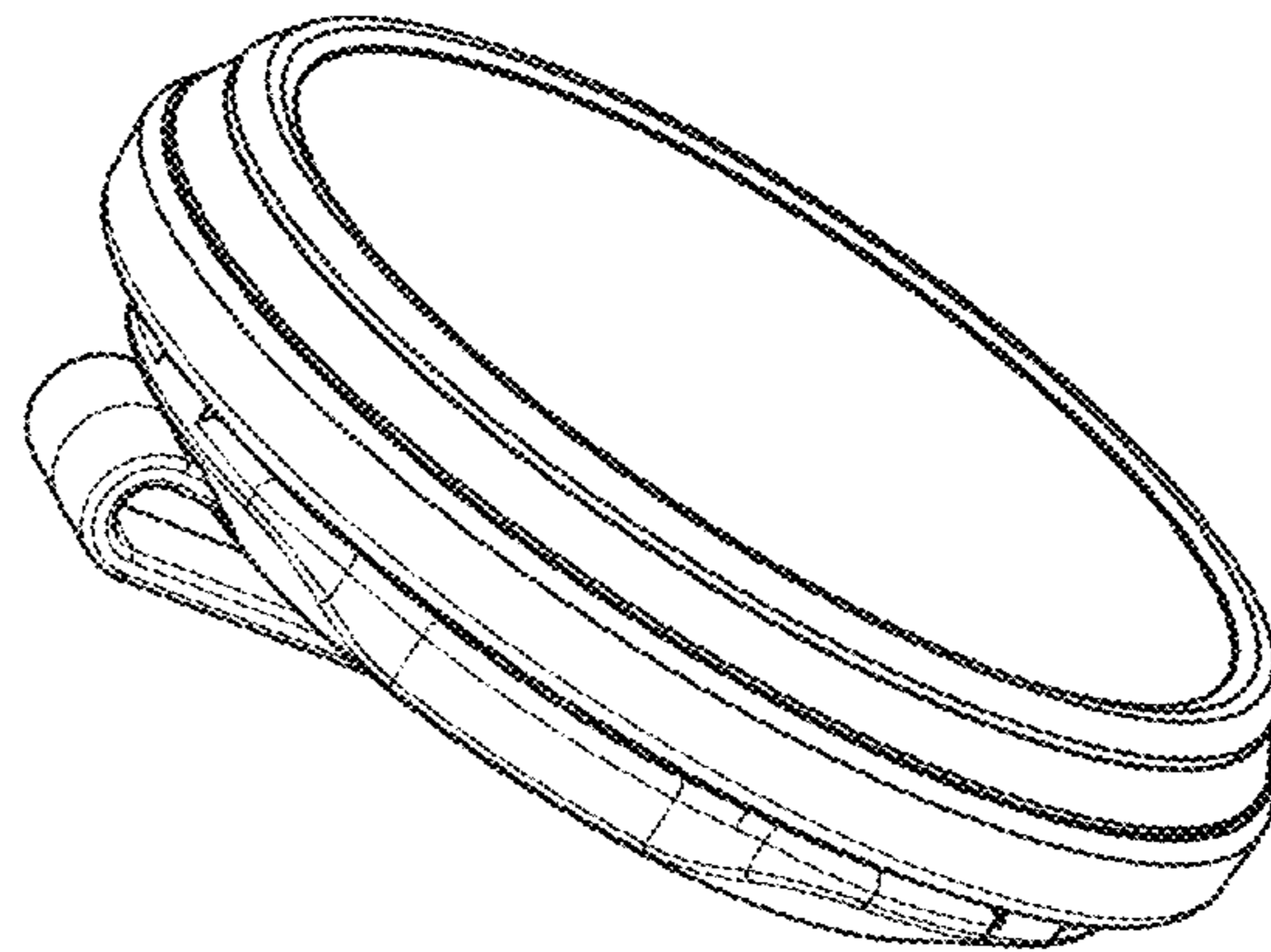
Oct. 17, 2018 (EM) 005800190
(51) **LOC (13) Cl.** **10-05**
(52) **U.S. Cl.**
USPC **D10/104.2**
(58) **Field of Classification Search**
USPC D10/104.1, 103, 70, 119.3, 104.2;
D14/240; D13/168
See application file for complete search history.

2.1 is a front perspective view.
2.2 is a front view.
2.3 is a top view.
2.4 is a right side view.
2.5 is a bottom view.
2.6 is a left side view.
2.7 is a bottom view.

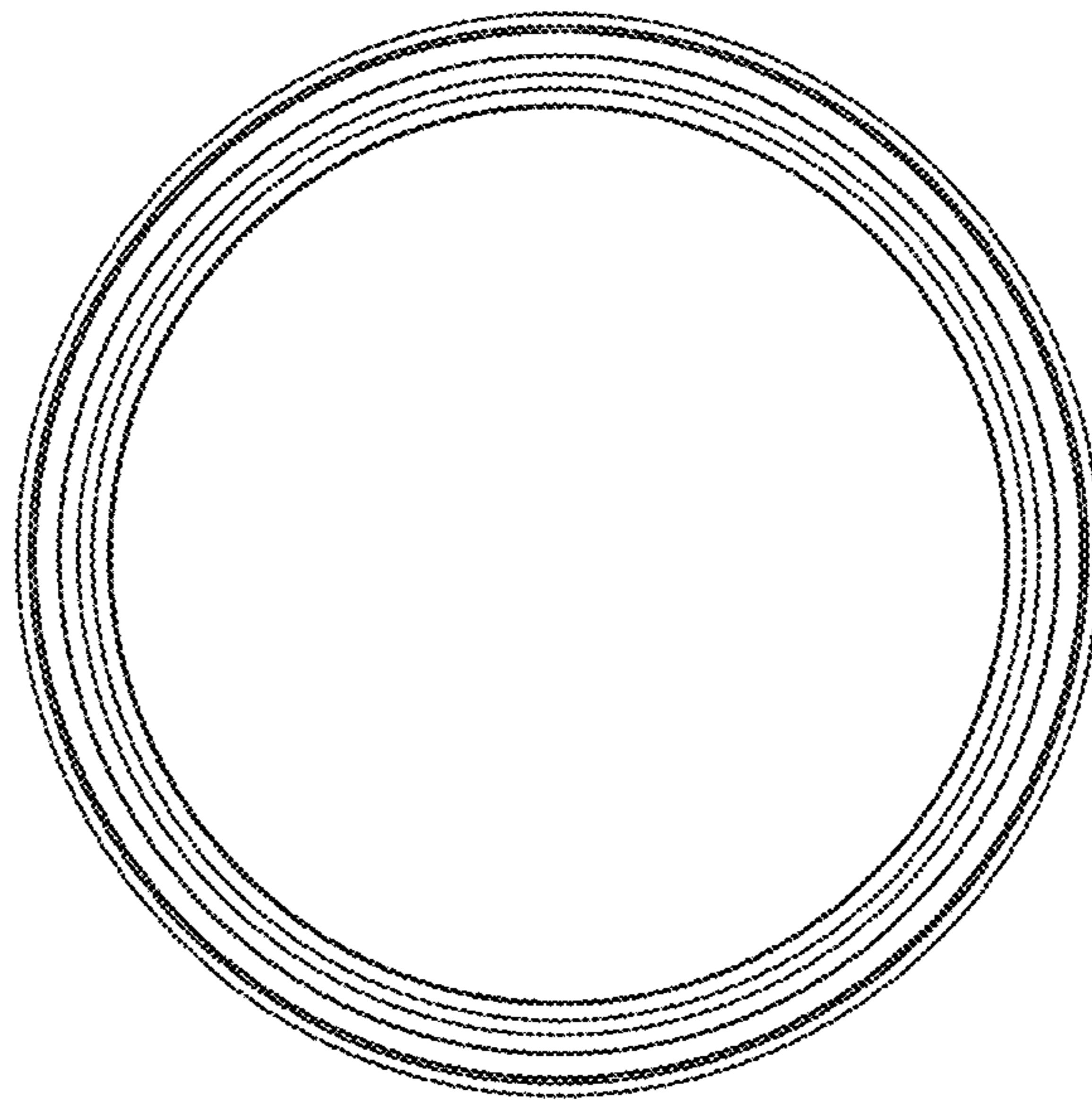
1 Claim, 7 Drawing Sheets



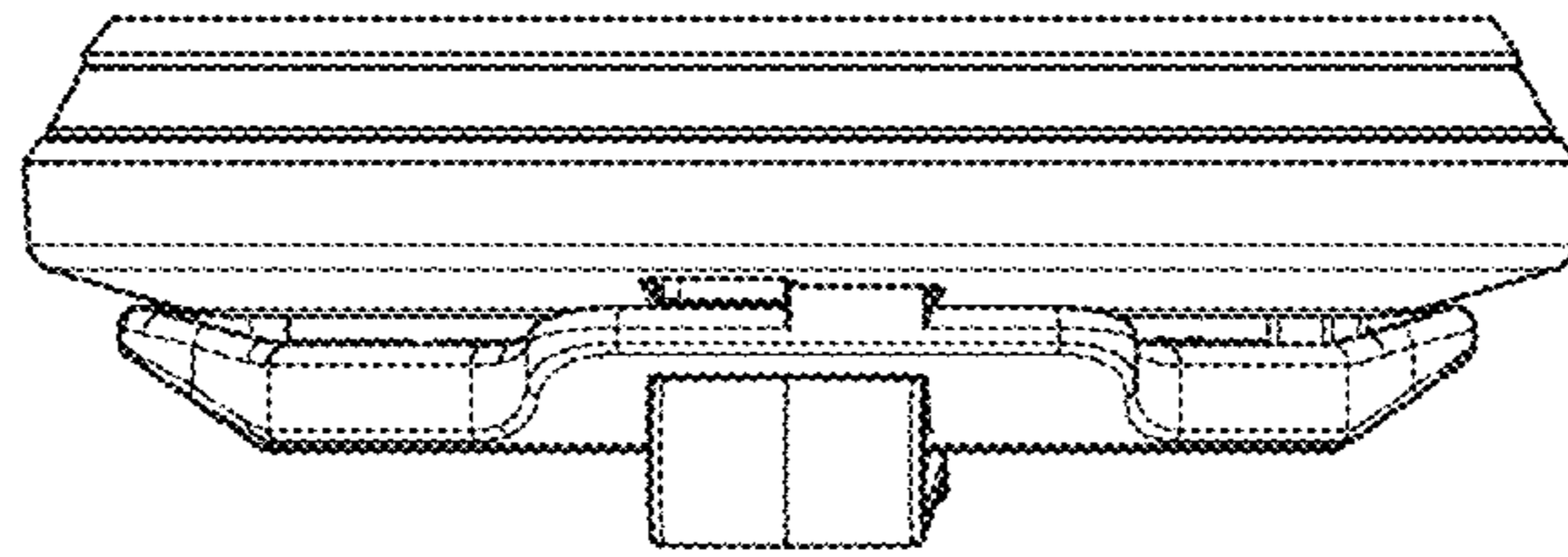
2.1



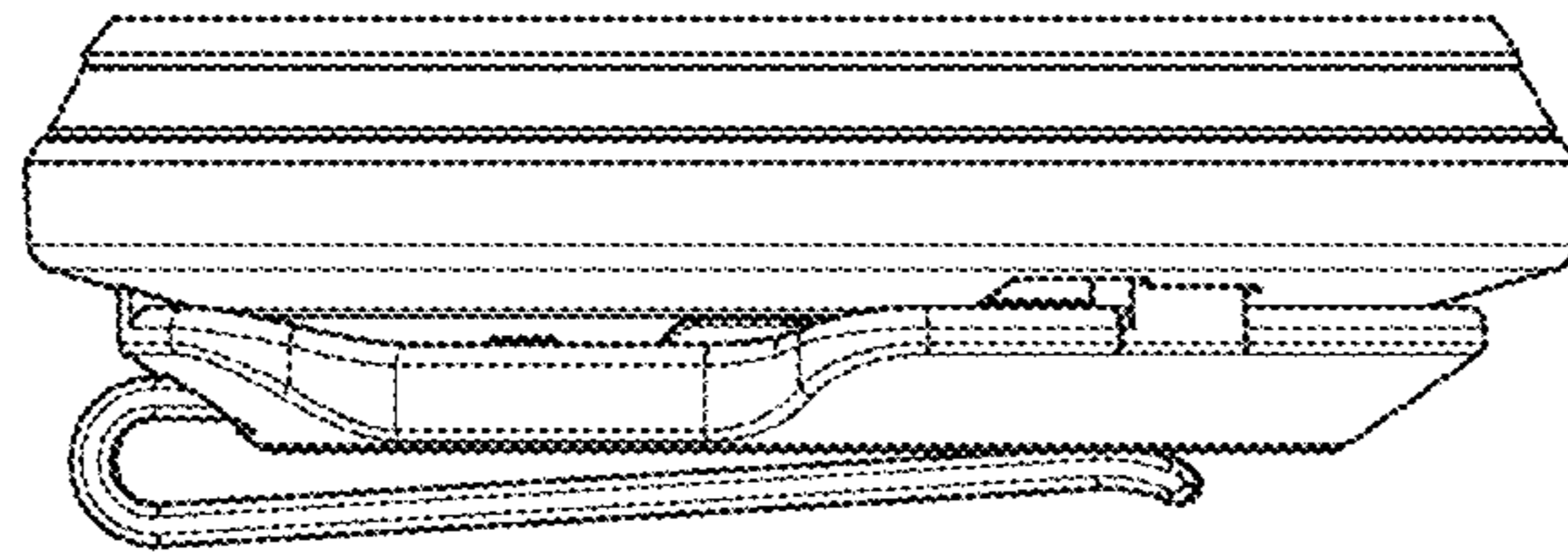
2.2



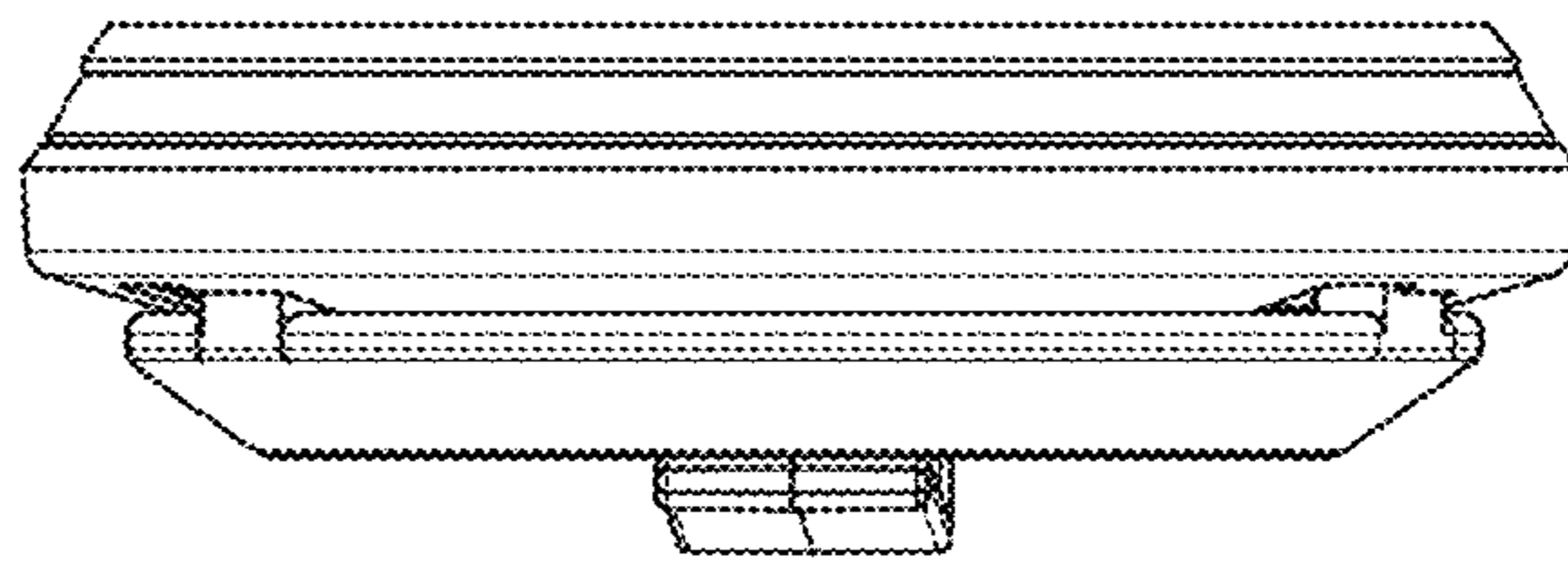
2.3



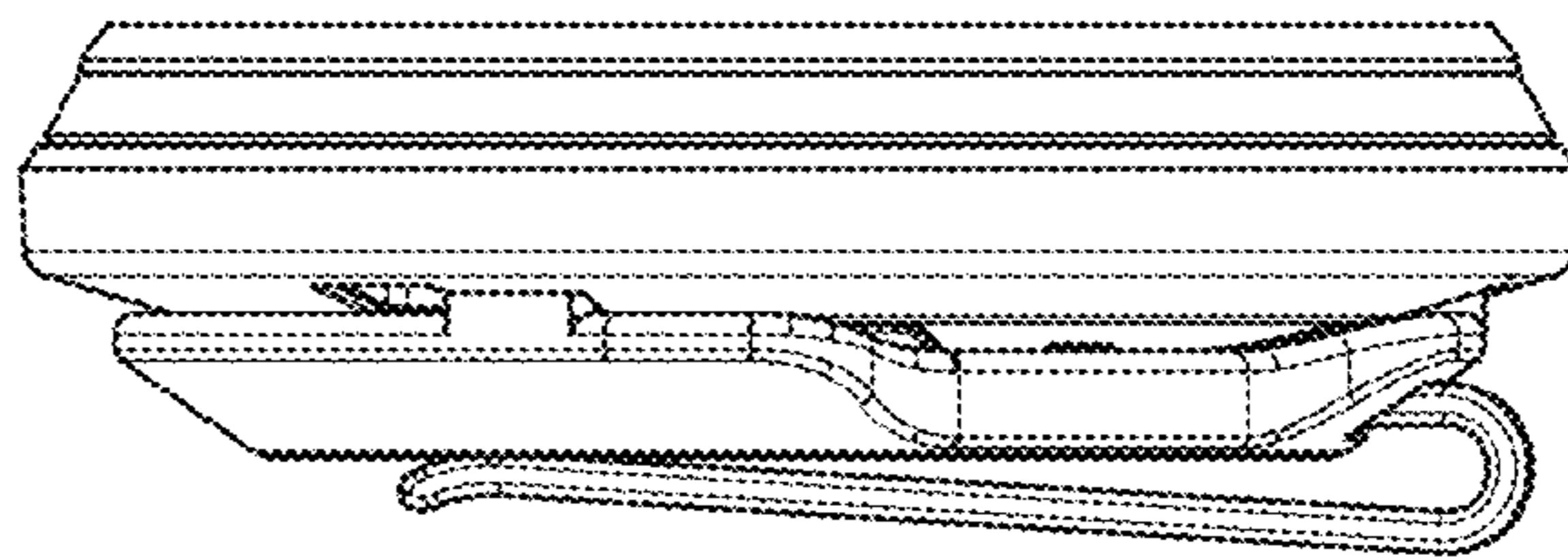
2.4



2.5



2.6



2.7

