



US00D911859S

(12) **United States Design Patent**  
**Morgan, III**

(10) **Patent No.:** **US D911,859 S**  
(45) **Date of Patent:** **\*\* Mar. 2, 2021**

(54) **COLOR, HAZE AND CLARITY MEASUREMENT INSTRUMENT**

2009/0098022 A1 4/2009 Tokhtuev et al.  
2010/0202726 A1 8/2010 Egalon  
2011/0255745 A1 10/2011 Hodder et al.

(71) Applicant: **Ranzy Morgan, III**, Galveston, TX (US)

**OTHER PUBLICATIONS**

(72) Inventor: **Ranzy Morgan, III**, Galveston, TX (US)

A Good Choice for Haze Determination Achieves ASTM D8148-17 Designation, Petro Industry News, Jan. 5, 2018, available at <https://www.petro-online.com/news/analytical-instrumentation/11/choice-analytical/a-good-choice-for-haze-determination-achieves-astm-d8148-17-designation/44698>, 2 Pages (p. 1, para 1; p. 2, para 2-3). International Search Report and Written Opinion dated Jul. 26, 2019 (issued in PCT Application No. PCT/US2019/029403) [15 pages].

(\*\*) Term: **15 Years**

\* cited by examiner

(21) Appl. No.: **29/689,135**

(22) Filed: **Apr. 26, 2019**

*Primary Examiner* — Antoine Duval Davis

(51) **LOC (13) Cl.** ..... **10-04**

(74) *Attorney, Agent, or Firm* — Alberto Q. Amatong, Jr.; Amatong McCoy LLC

(52) **U.S. Cl.**

USPC ..... **D10/81**

(58) **Field of Classification Search**

USPC ..... D10/78, 81

CPC ..... G01J 3/42; G01J 3/2803; G01N 21/59;

G01N 21/01; G01N 33/2888; G01N

33/22; G01N 2021/1744; G01N 21/51;

G01N 21/251

See application file for complete search history.

(57) **CLAIM**

The ornamental design for a color, haze and clarity measurement instrument, as shown and described.

**DESCRIPTION**

FIG. 1 is a perspective view of a color, haze and clarity measurement instrument, with a chamber lid closed, showing my new design;

FIG. 2 is a front elevation view thereof;

FIG. 3 is a rear elevation view thereof;

FIG. 4 is a side view thereof;

FIG. 5 is an opposite side view thereof;

FIG. 6 is a top view thereof;

FIG. 7 is a bottom view thereof; and,

FIG. 8 is an alternative, perspective view thereof, with the chamber lid opened.

The broken lines applied to the color, haze and clarity measurement instrument, which may appear in any of FIGS. 1-8, represent unclaimed subject matter. All broken lines are for environmental purposes only and form no part of the claimed design. The shade lines show surface contour and not surface ornamentation.

(56) **References Cited**

**U.S. PATENT DOCUMENTS**

D261,033 S \* 9/1981 Armbruster ..... D10/46

D261,034 S \* 9/1981 Armbruster ..... D10/46

D261,173 S \* 10/1981 Armbruster ..... D10/81

5,007,733 A 4/1991 Laurent et al.

5,644,239 A \* 7/1997 Huang ..... G01N 33/2888  
324/439

8,248,255 B2 8/2012 Tzidon et al.

D683,642 S \* 6/2013 Buesser ..... D10/81

9,041,920 B2 5/2015 Mander et al.

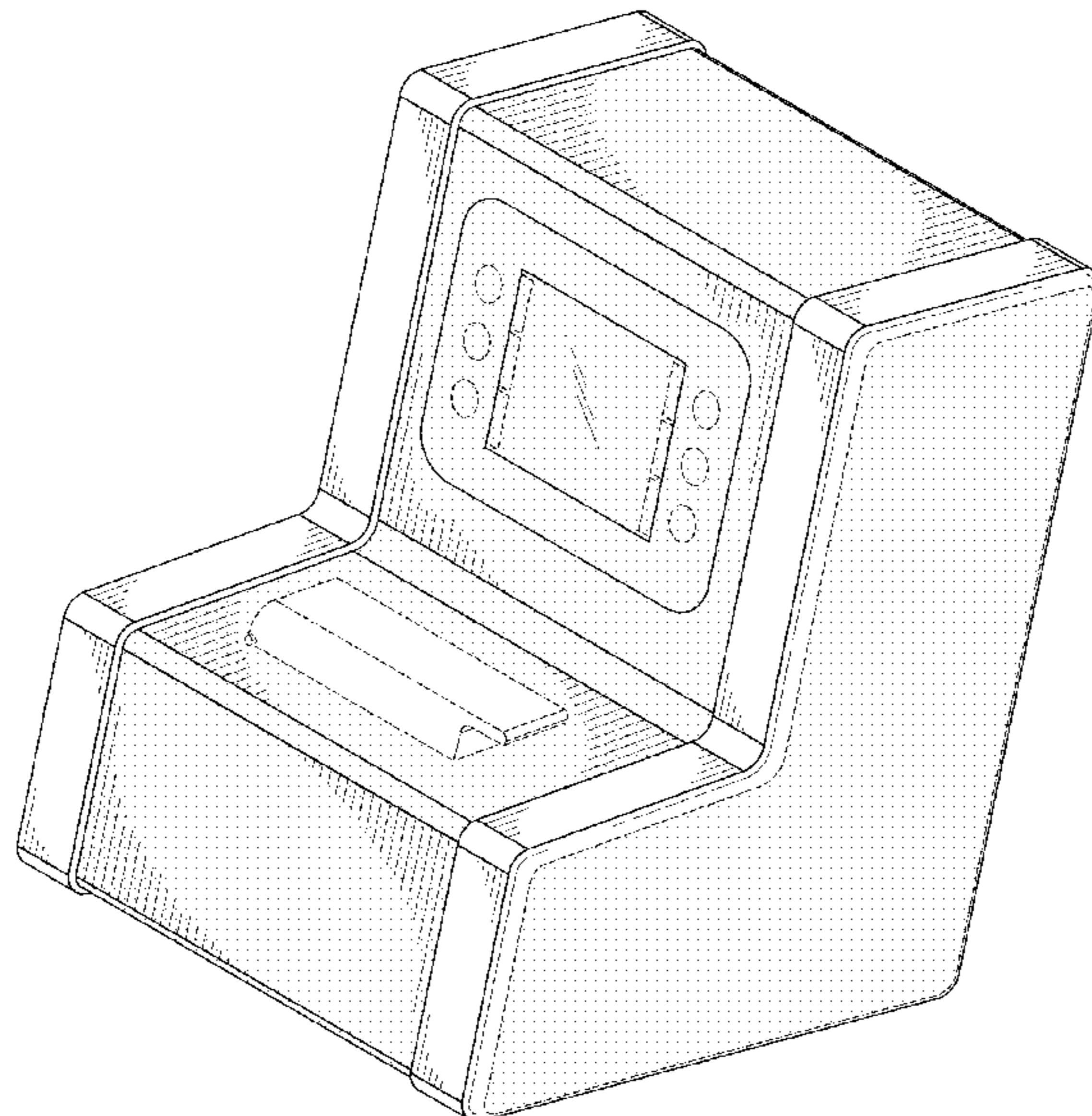
9,448,112 B2 9/2016 Greer et al.

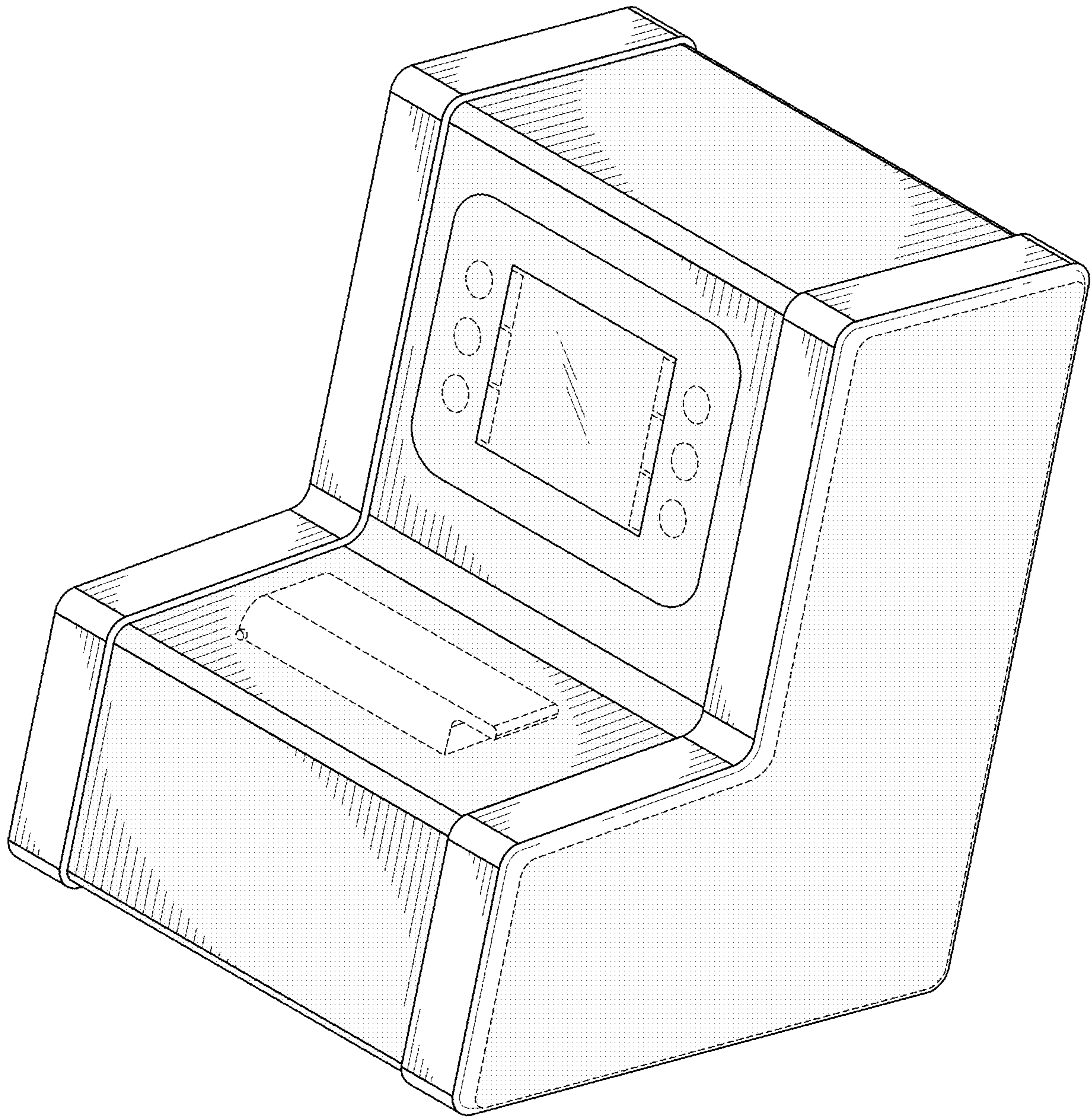
9,869,636 B2 1/2018 Mander et al.

2002/0042142 A1 4/2002 Kawamura

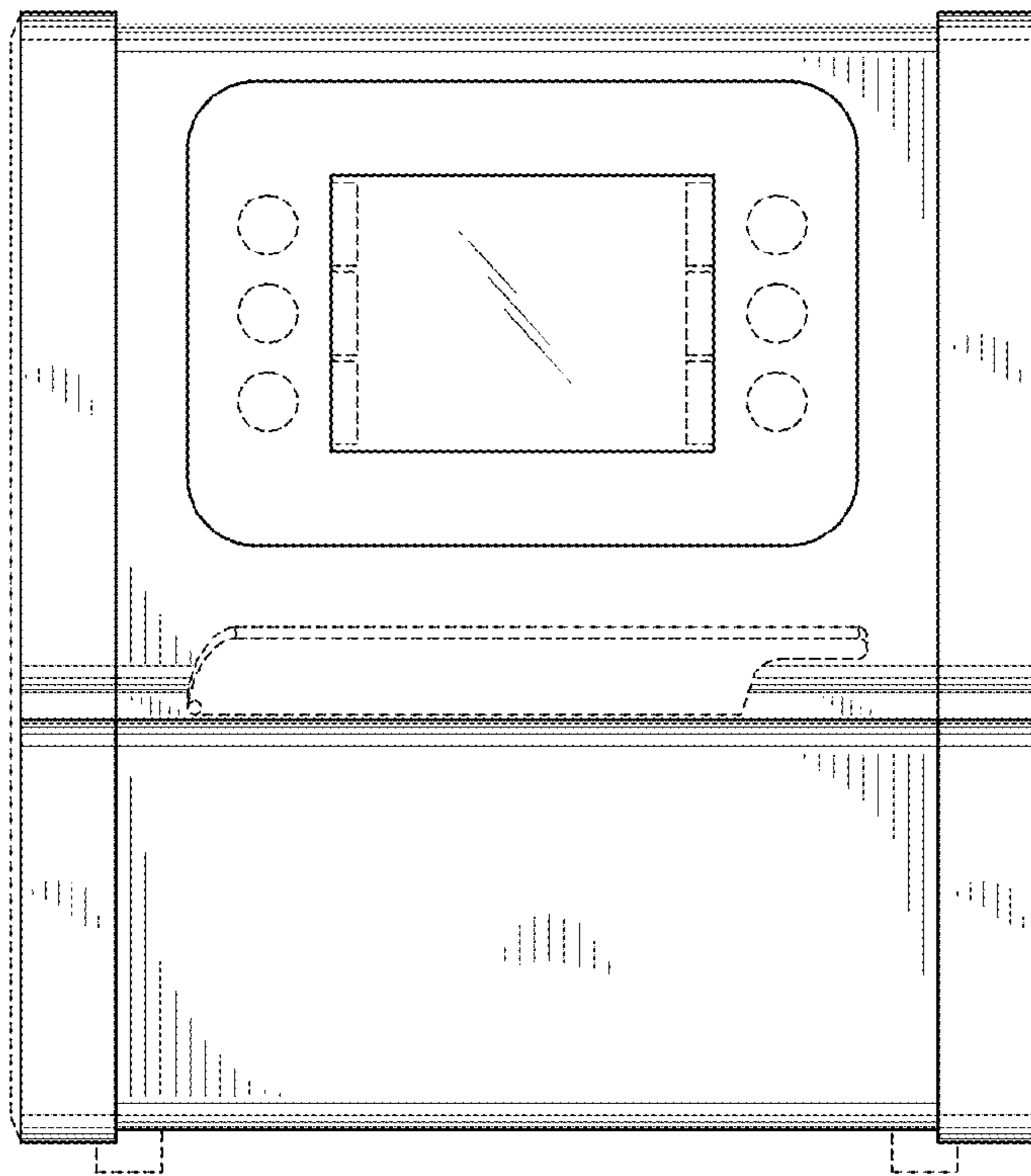
2005/0095716 A1 5/2005 Wollenberg et al.

**1 Claim, 5 Drawing Sheets**

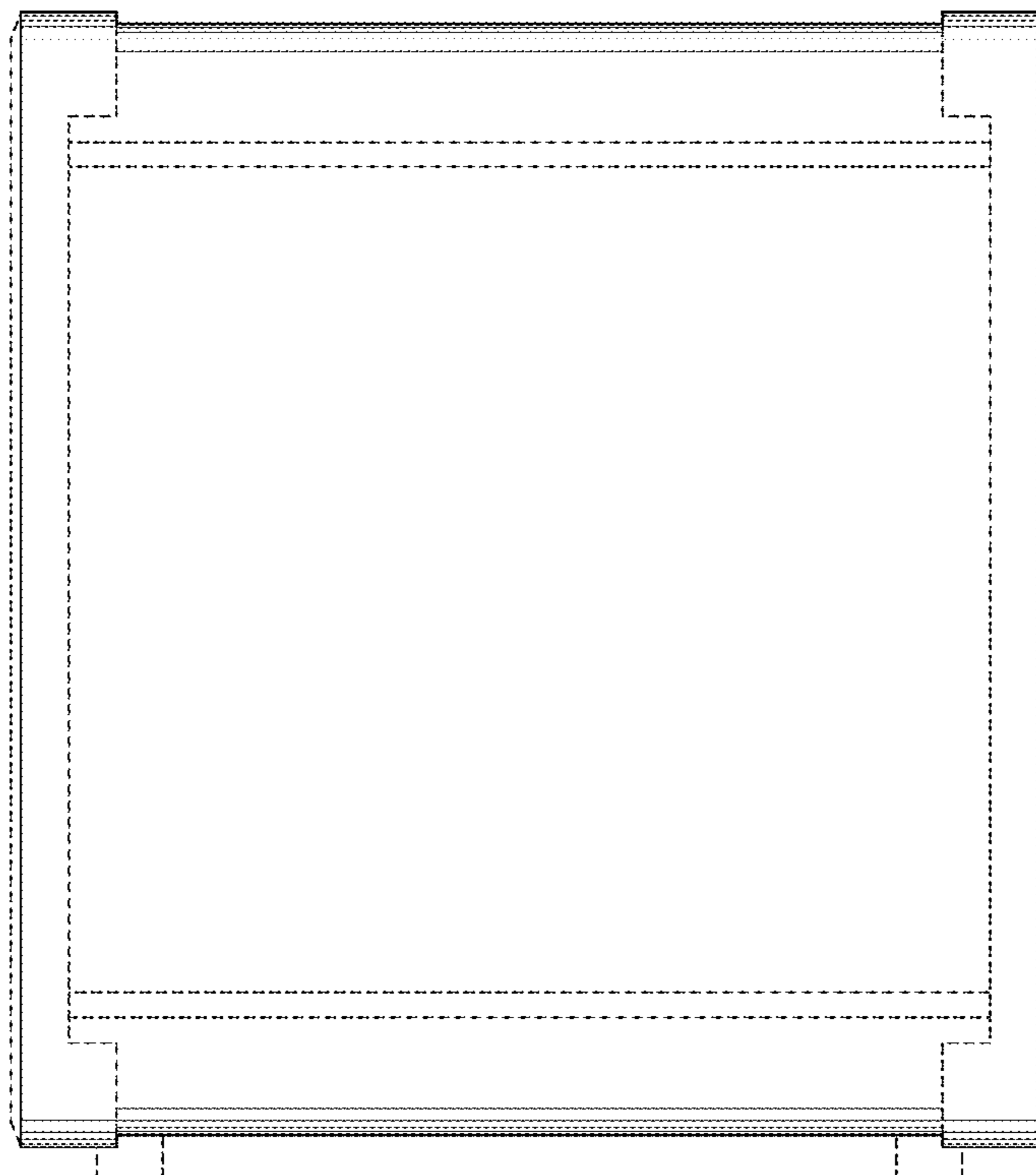




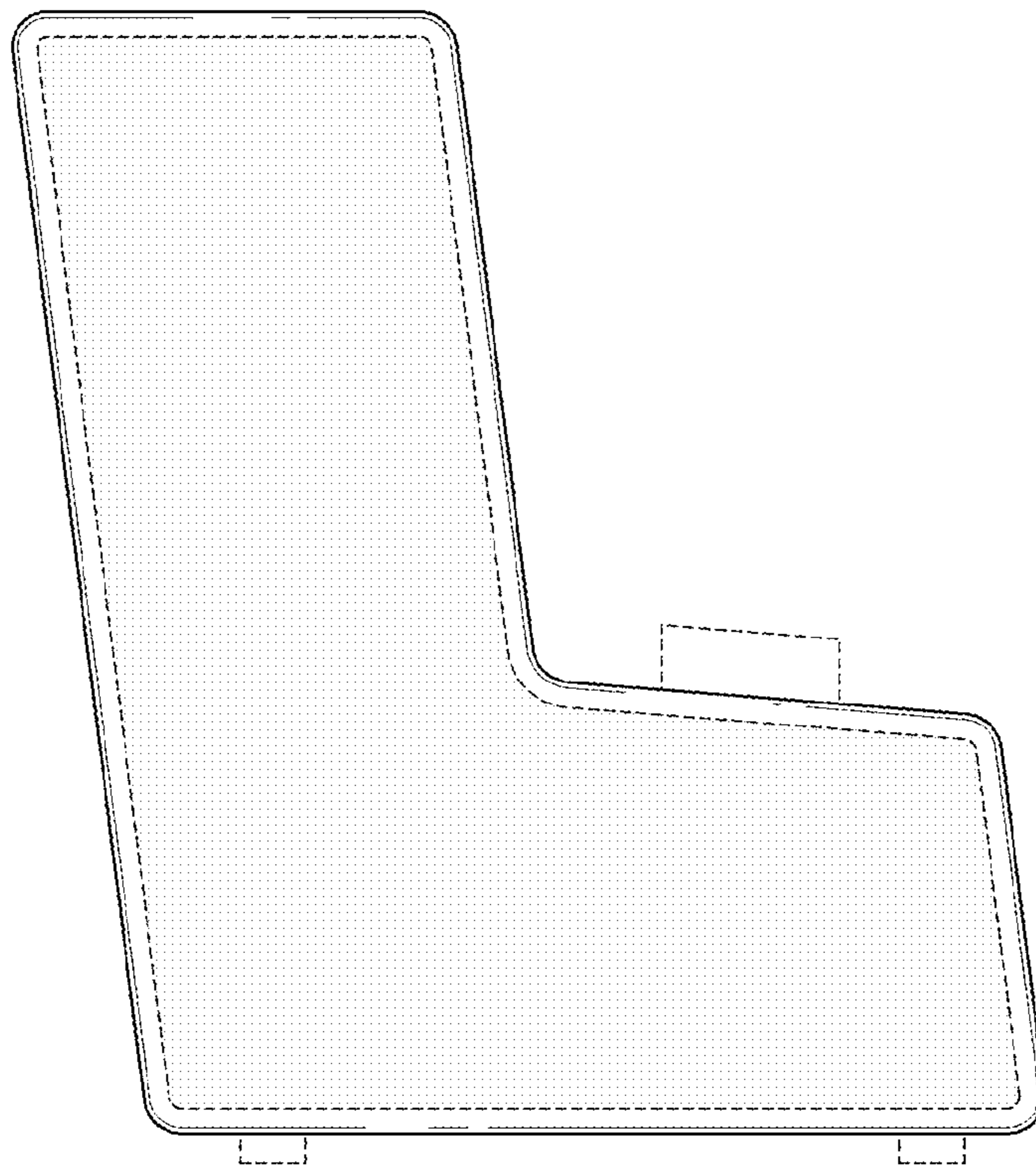
**FIG. 1**



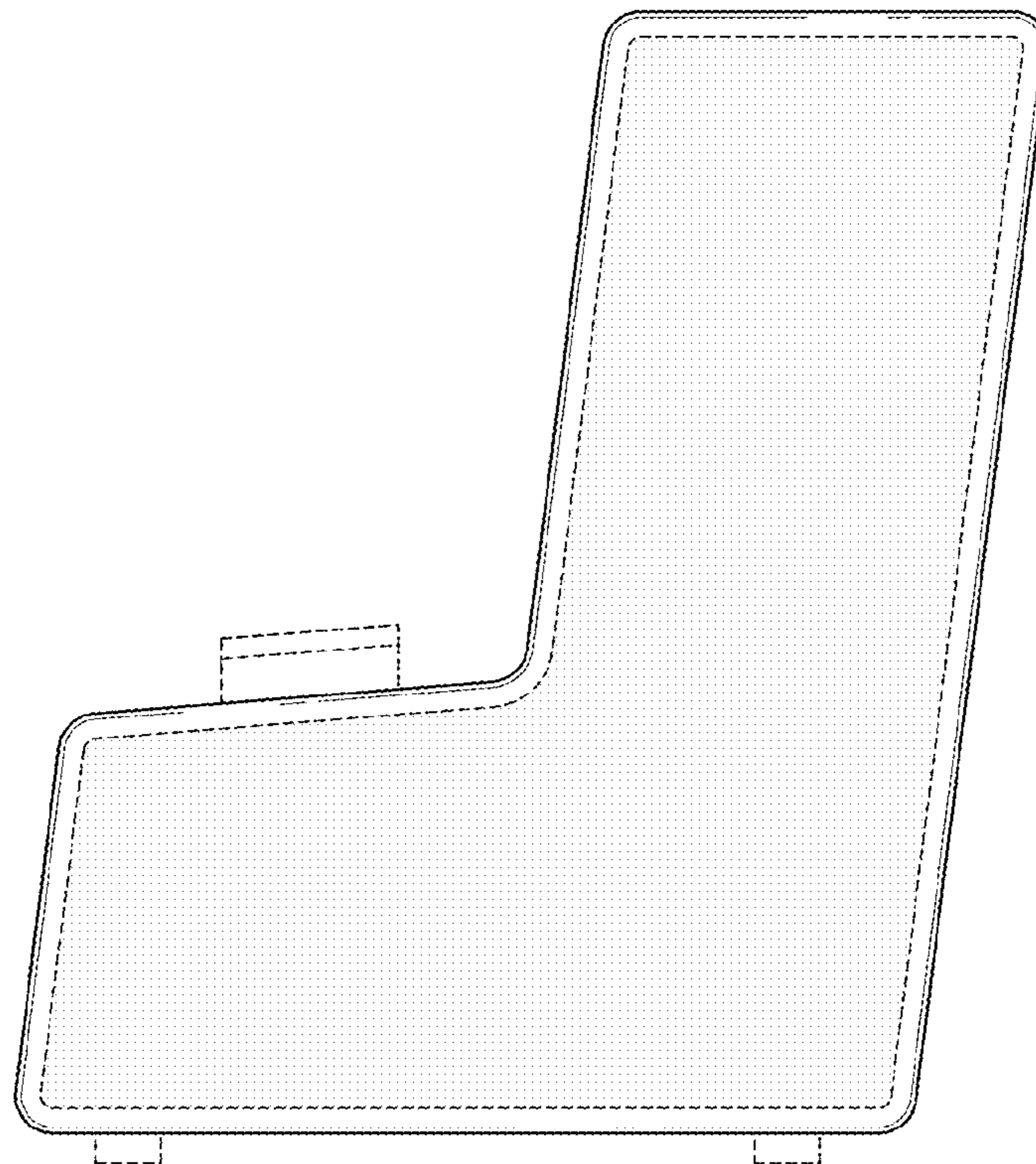
**FIG. 2**



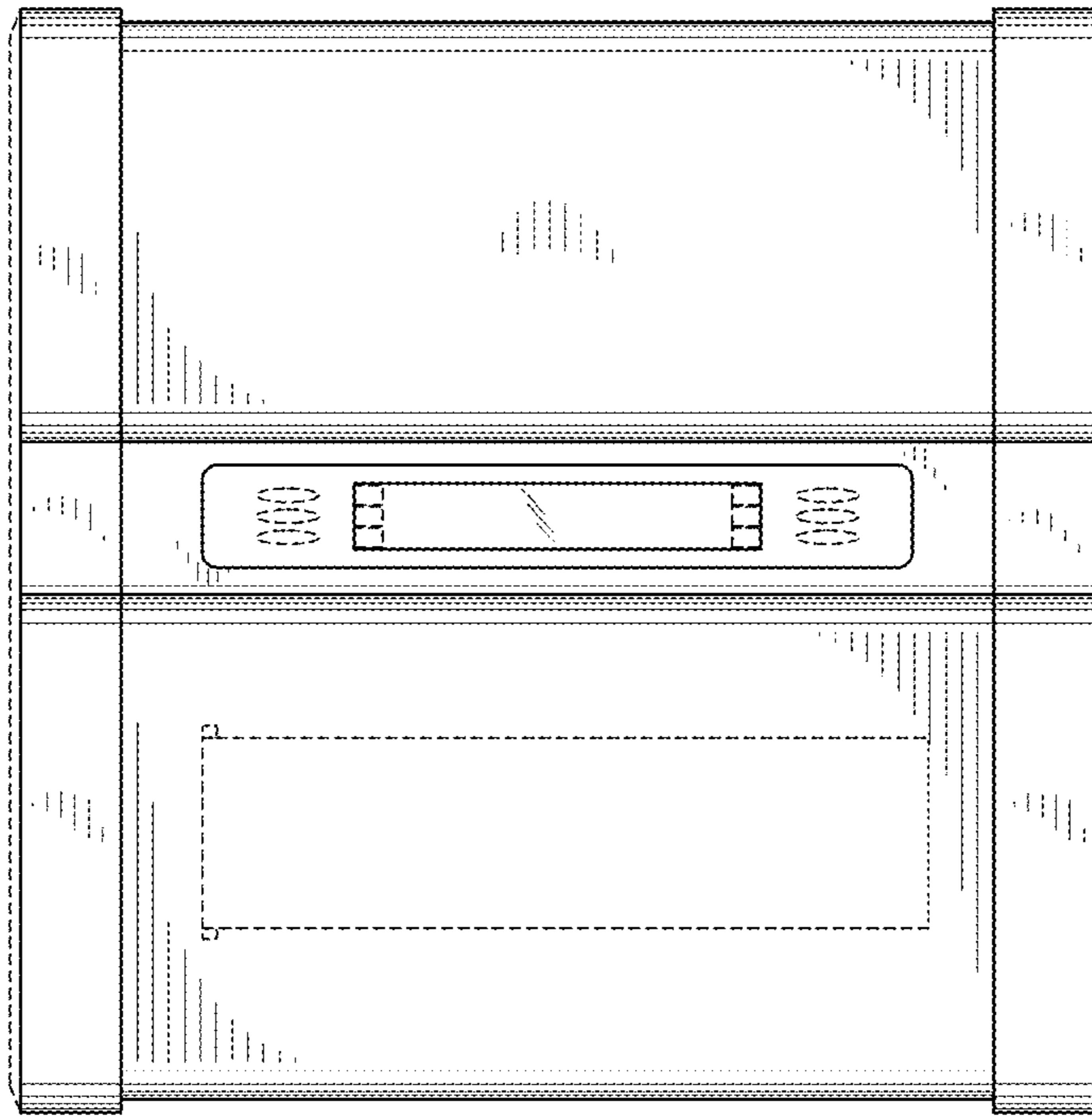
**FIG. 3**



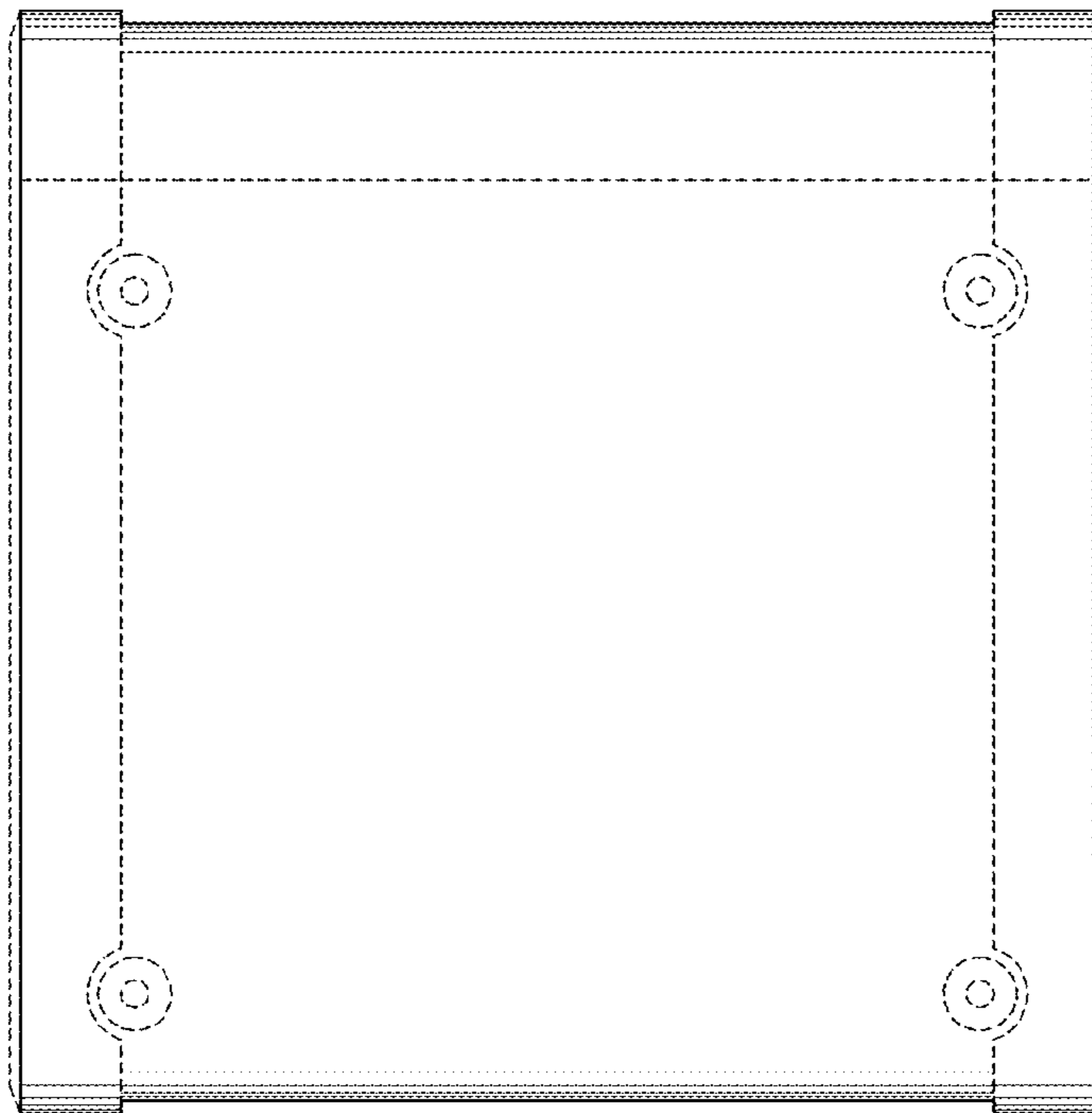
**FIG. 4**



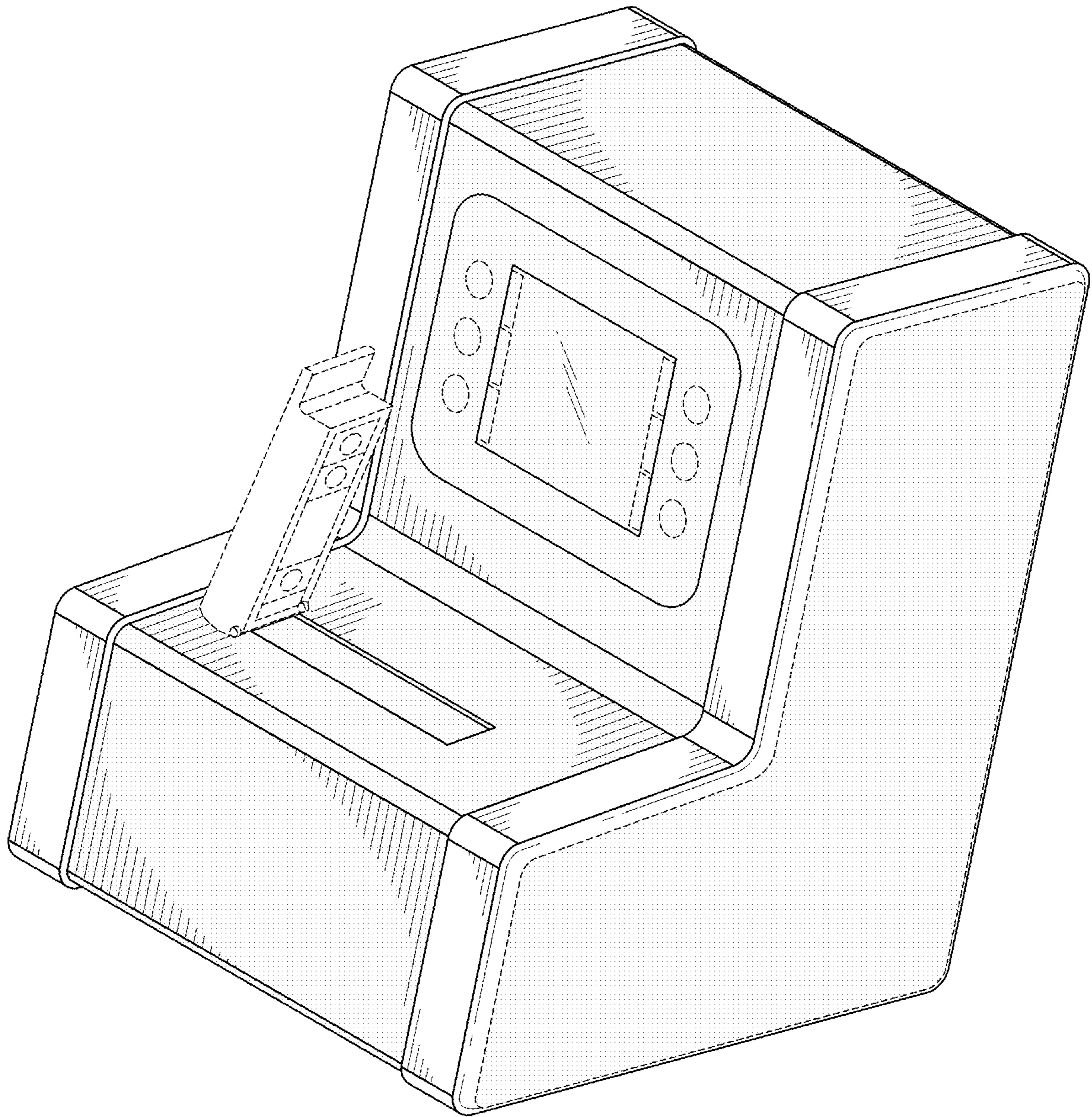
**FIG. 5**



**FIG. 6**



**FIG. 7**



**FIG. 8**