



US00D911853S

(12) **United States Design Patent**  
**Walden et al.**

(10) **Patent No.:** **US D911,853 S**  
(45) **Date of Patent:** **\*\* Mar. 2, 2021**

- (54) **BOTTLE**
- (71) Applicant: **THE CLOROX COMPANY**, Oakland, CA (US)
- (72) Inventors: **Melissa Walden**, San Francisco, CA (US); **James A. Shoemaker**, Pleasanton, CA (US); **Scot Herbst**, Santa Cruz, CA (US); **William W. Hunter**, Santa Cruz, CA (US)
- (73) Assignee: **The Clorox Company**, Oakland, CA (US)
- (\*\*) Term: **15 Years**
- (21) Appl. No.: **29/705,891**
- (22) Filed: **Sep. 16, 2019**
- (51) **LOC (13) Cl.** ..... **09-01**
- (52) **U.S. Cl.**  
USPC ..... **D9/550; D9/542**
- (58) **Field of Classification Search**  
USPC ..... D9/440, 443, 447, 516, 520, 523–528, D9/530–543, 550, 551, 552, 554, 556, D9/558, 563, 428, 573–575, 564; D7/396.2, 507, 509, 510, 511, 532, 533, D7/608, 631–634; D3/202; D6/518, 523, D6/734  
CPC ..... B65D 1/0223; B65D 2543/00296; B65D 2543/00092; B65D 2543/00537; B65D 2501/0081; B65D 23/10; B65D 23/102; A47J 43/27  
See application file for complete search history.

(56) **References Cited**

**U.S. PATENT DOCUMENTS**

- D220,167 S \* 3/1971 Barker ..... D9/542
- D220,562 S \* 4/1971 Quintal ..... D9/543
- D220,870 S \* 6/1971 Muscatiello ..... D9/563

- D333,789 S \* 3/1993 Reif ..... D9/563
- D334,344 S \* 3/1993 Reif ..... D9/531
- D505,624 S \* 5/2005 Helps ..... D9/563
- D646,175 S \* 10/2011 Davis ..... D9/542
- D646,176 S \* 10/2011 Davis ..... D9/542
- D646,575 S \* 10/2011 Davis ..... D9/530
- D692,307 S \* 10/2013 Scott ..... D9/542
- D704,067 S \* 5/2014 Scott ..... D9/542
- D787,944 S \* 5/2017 Bos ..... D9/543
- D812,482 S \* 3/2018 Young ..... D9/542
- D820,002 S \* 6/2018 Cannamela ..... D9/550
- D821,207 S \* 6/2018 Cannamela ..... D9/563
- D821,208 S \* 6/2018 Cannamela ..... D9/550
- D821,212 S \* 6/2018 Cannamela ..... D9/542
- D821,213 S \* 6/2018 Mazzei ..... D9/542
- D821,878 S \* 7/2018 Cannamela ..... D9/563
- D821,882 S \* 7/2018 Cannamela ..... D9/563
- D821,883 S \* 7/2018 Cannamela ..... D9/542

(Continued)

*Primary Examiner* — Brett Miller

*Assistant Examiner* — Rani J Abdallah

(74) *Attorney, Agent, or Firm* — Thomas Lynch

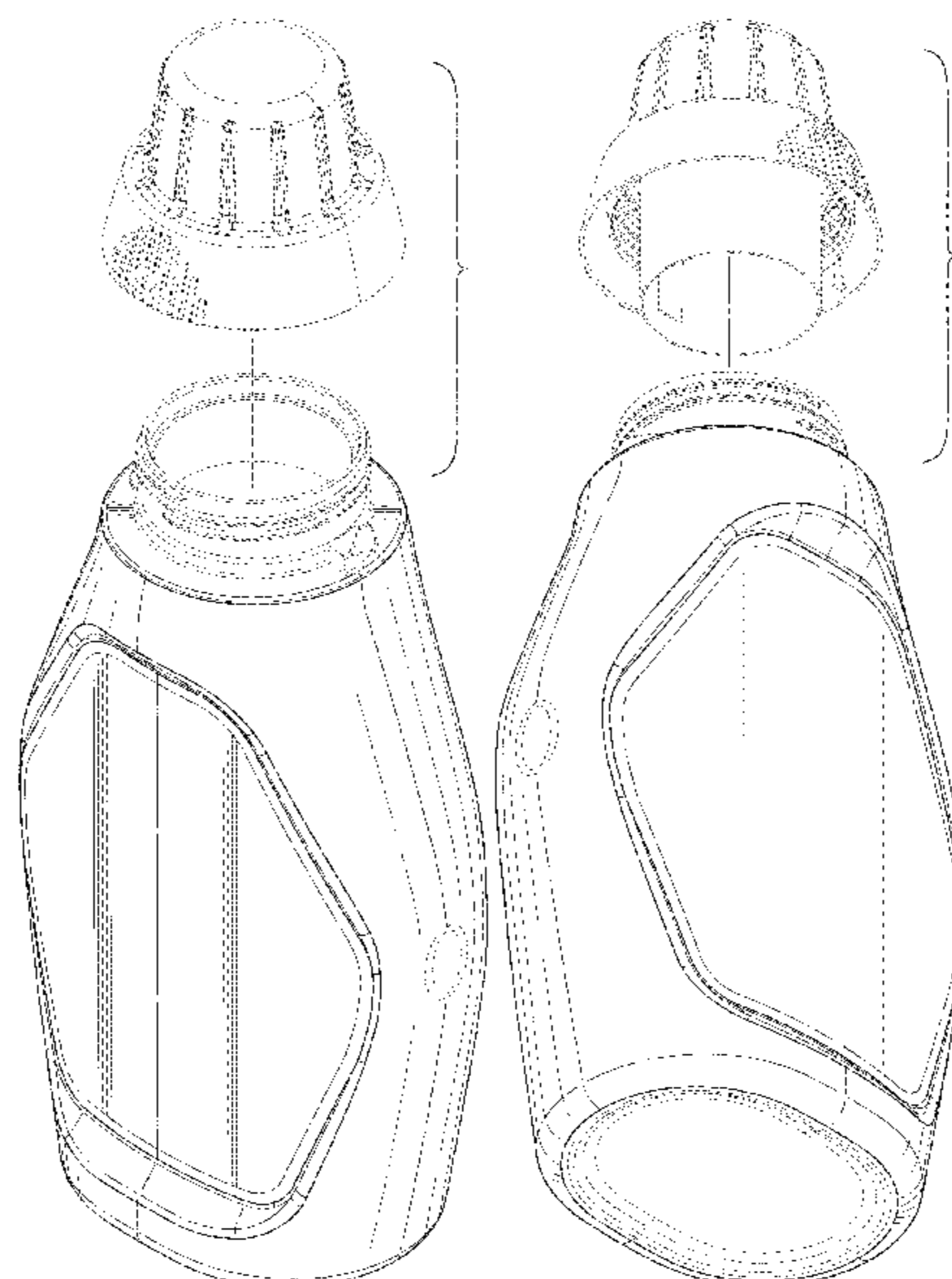
(57) **CLAIM**

The ornamental design for a bottle, as shown and described.

**DESCRIPTION**

FIG. 1 is a top perspective view of a bottle according to the invention, also showing a cap exploded therefrom;  
 FIG. 2 is a bottom perspective view of the bottle and cap of FIG. 1;  
 FIG. 3 is a front view of the bottle of FIG. 1;  
 FIG. 4 is a rear view thereof;  
 FIG. 5 is a first side view thereof;  
 FIG. 6 is an opposite, second side view thereof;  
 FIG. 7 is a top view thereof; and,  
 FIG. 8 is a bottom view thereof.  
 The broken lines in the figures are for the purpose of illustrating environmental structure and form no part of the claimed design.

**1 Claim, 7 Drawing Sheets**



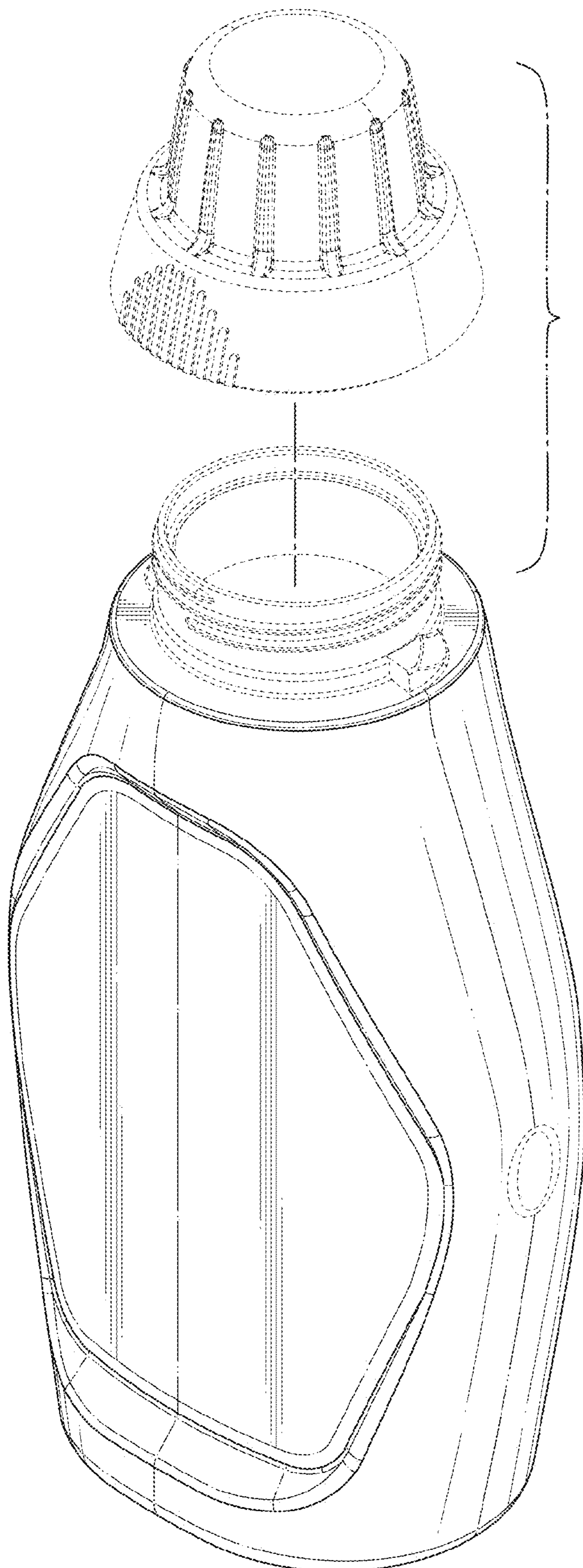
(56)

**References Cited**

U.S. PATENT DOCUMENTS

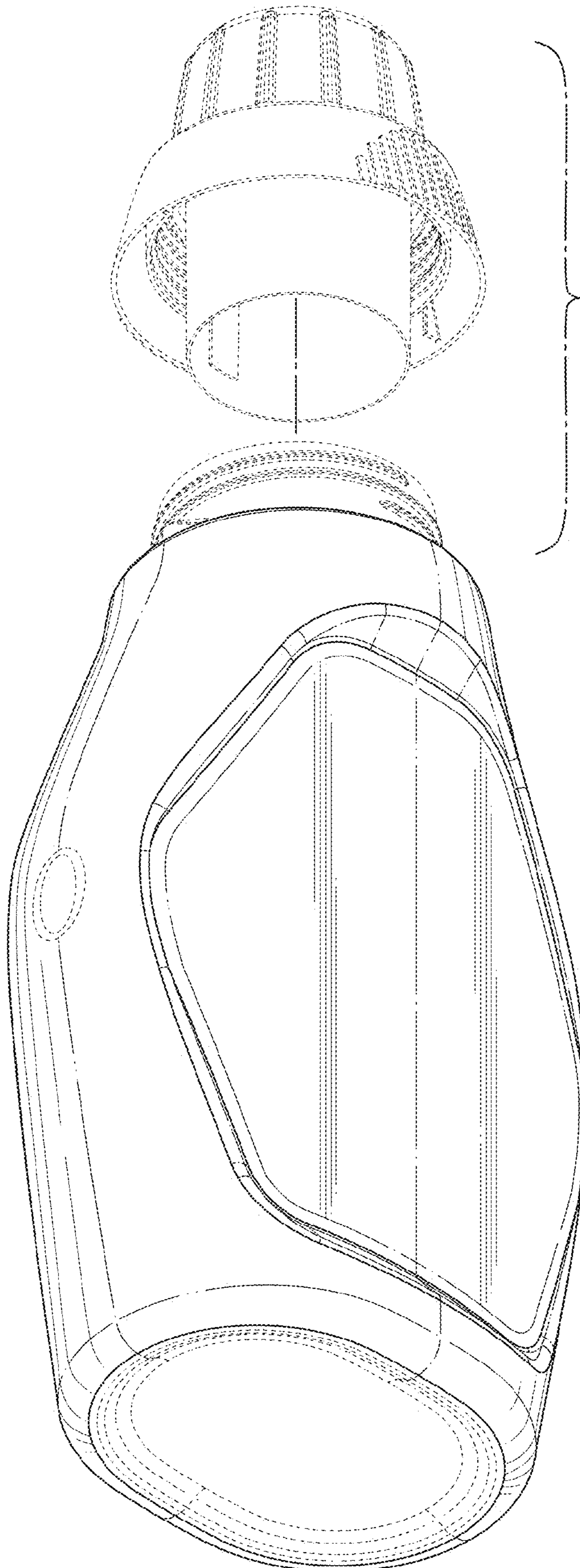
D822,493 S \* 7/2018 Cannamela ..... D9/563  
D825,343 S \* 8/2018 Baumann ..... D9/563  
D830,840 S \* 10/2018 Cesare ..... D9/550  
D835,995 S \* 12/2018 Shoemaker ..... D9/564  
2017/0320631 A1 11/2017 Sprick et al.

\* cited by examiner

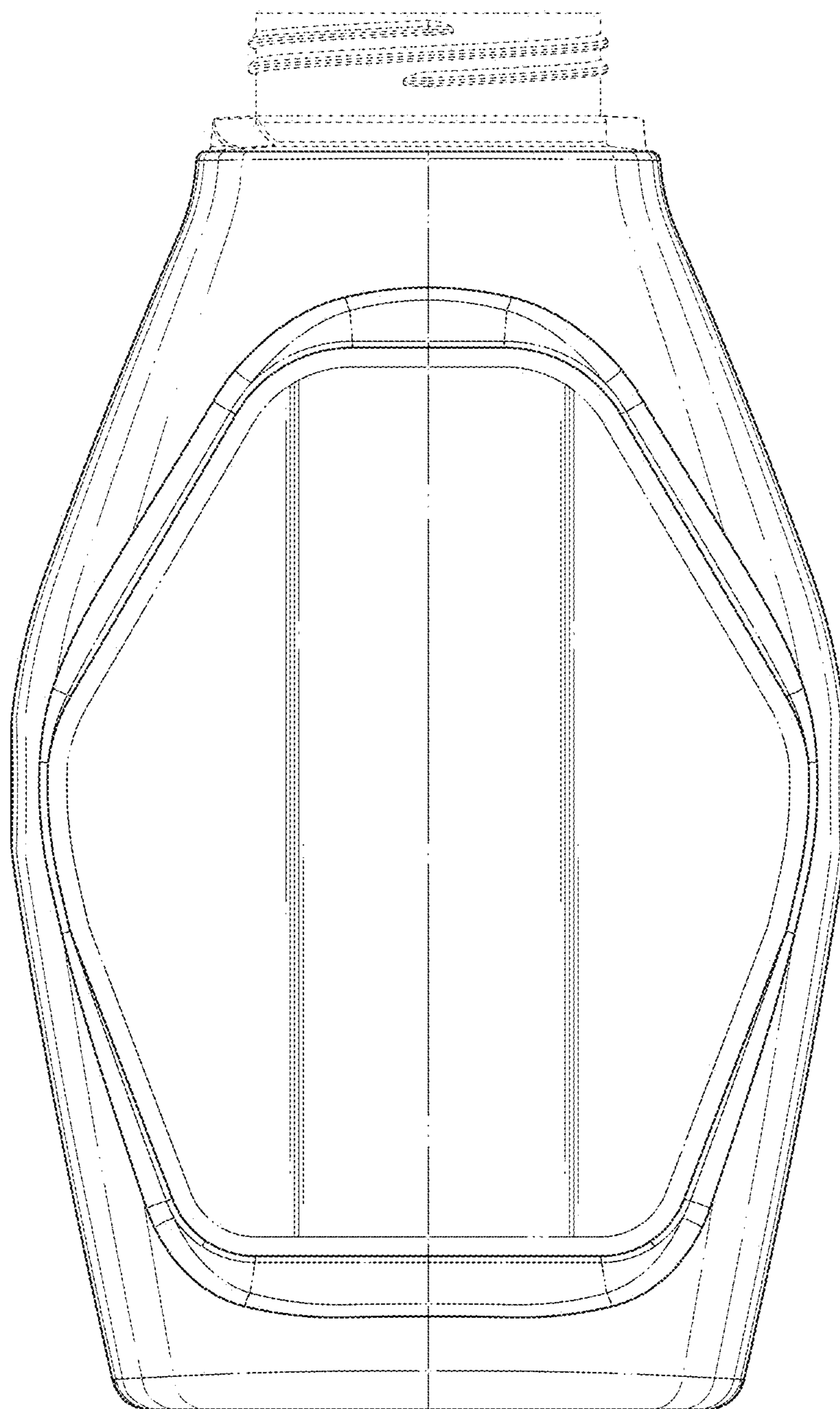


**FIG. 1**

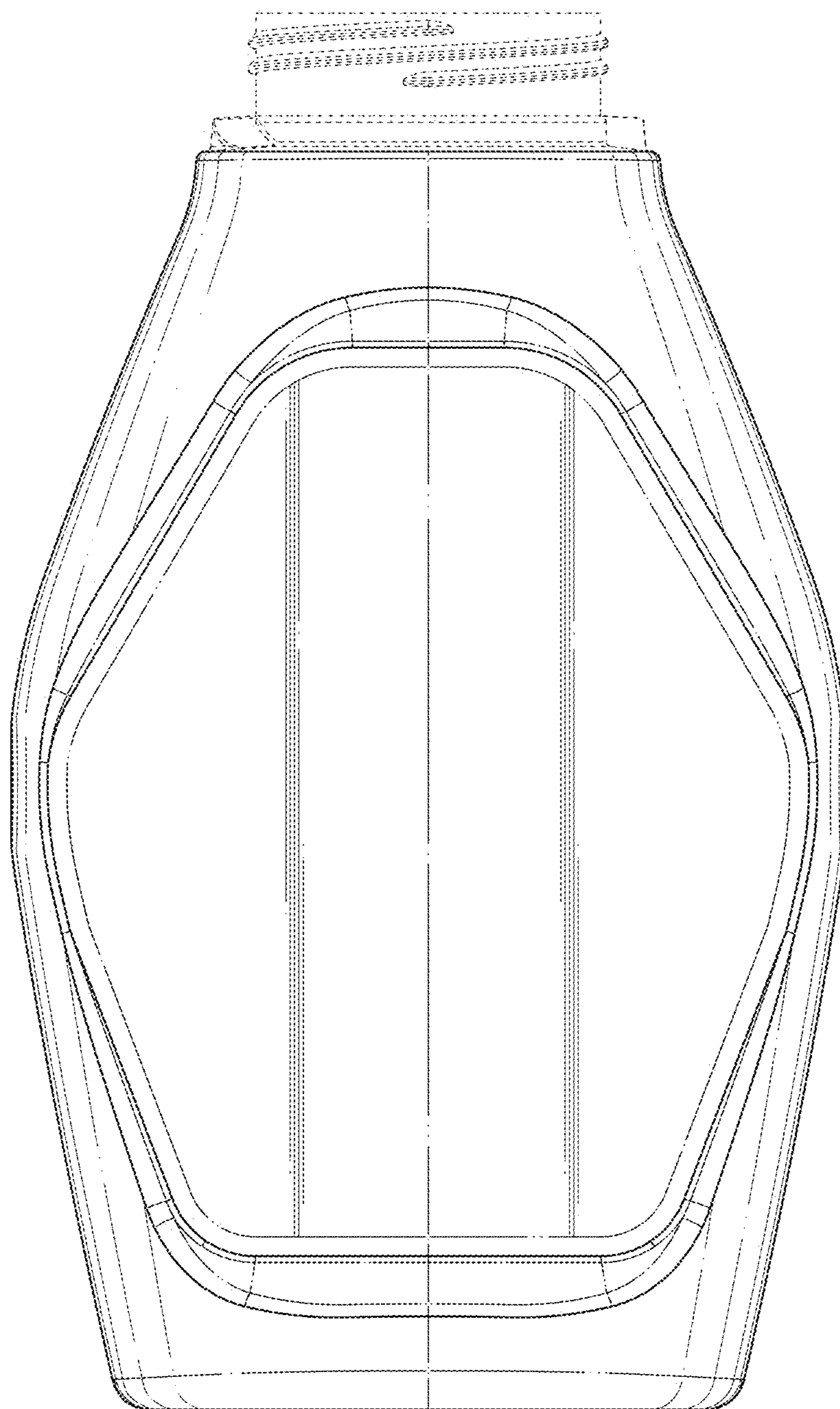




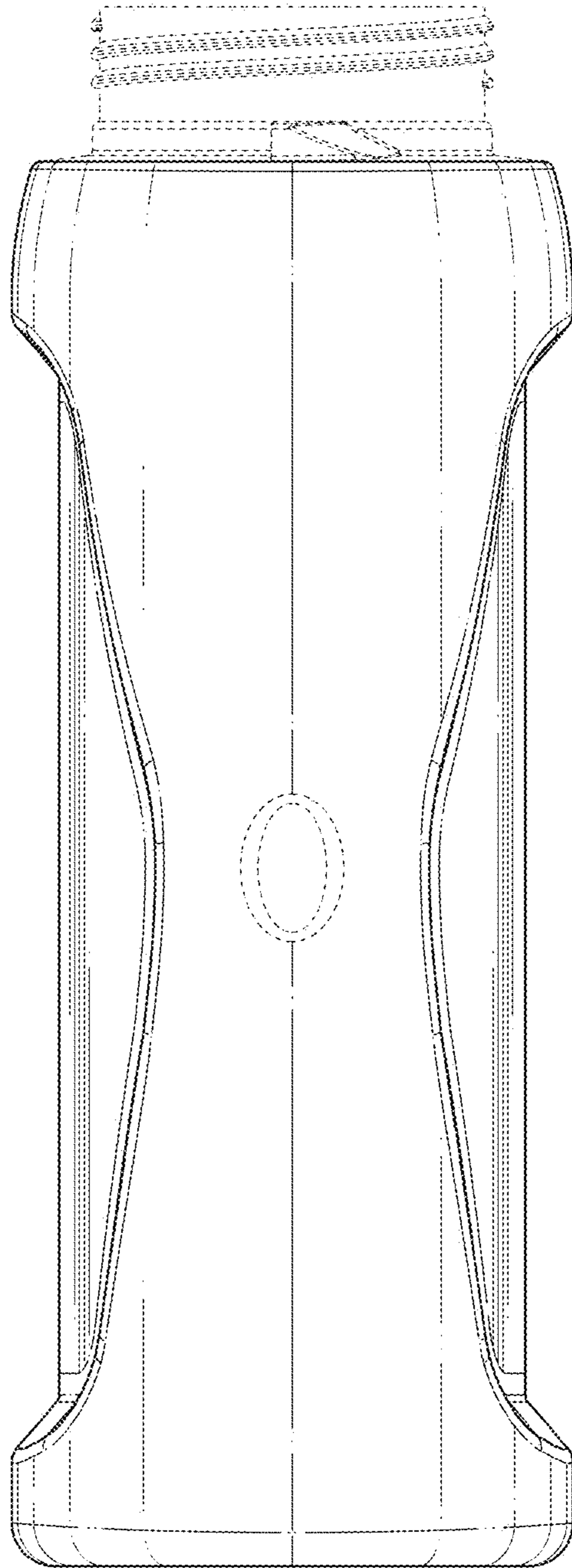
**FIG. 2**



**FIG. 3**

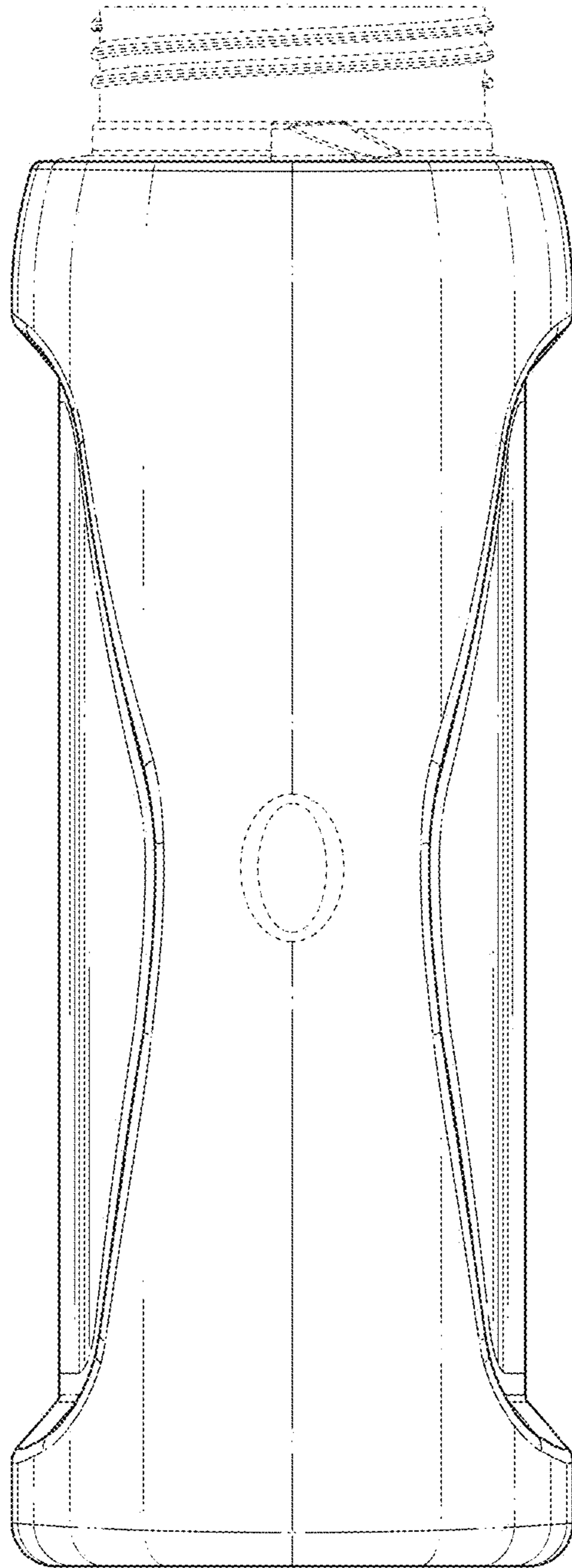


**FIG. 4**



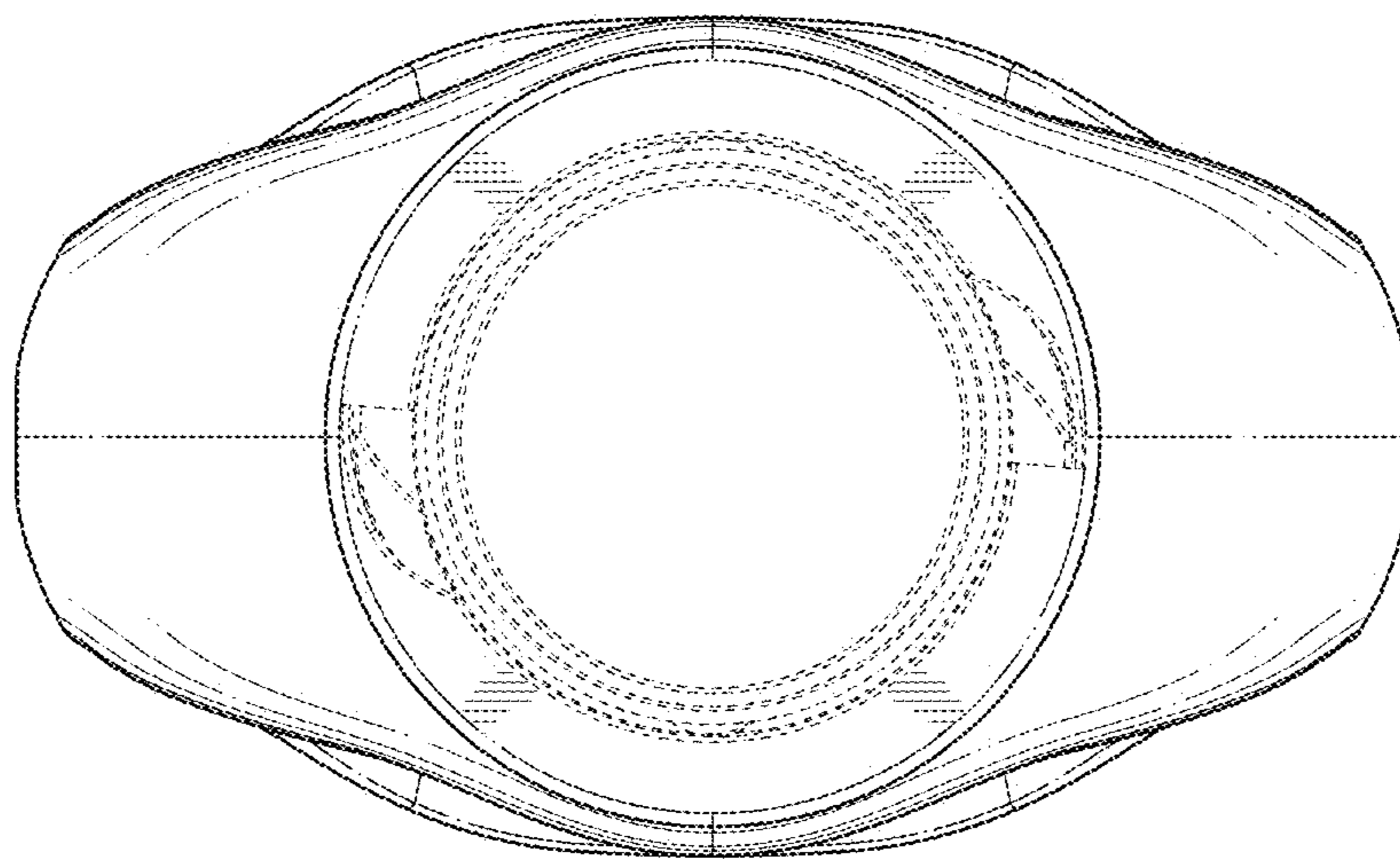
**FIG. 5**



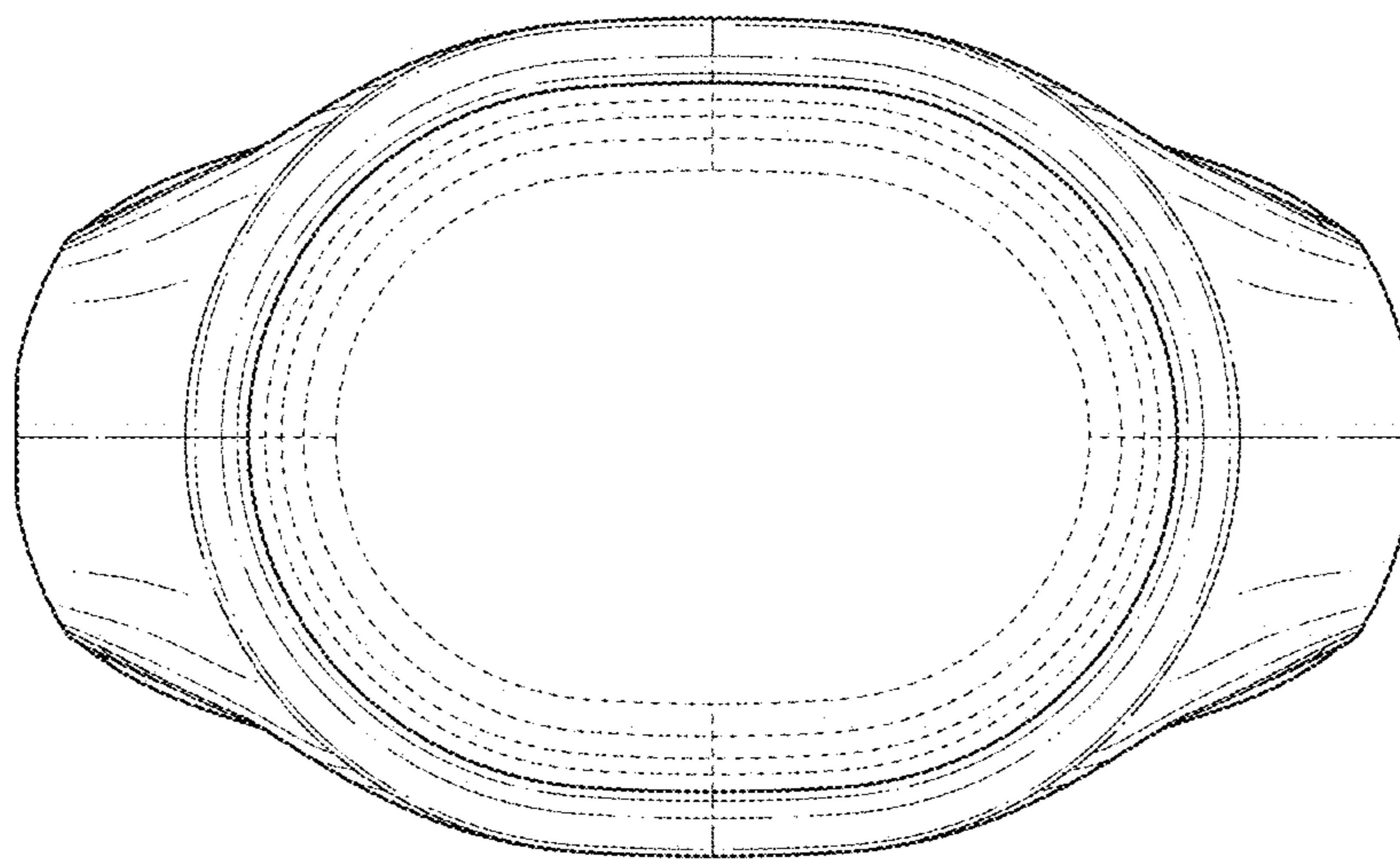


**FIG. 6**





**FIG. 7**



**FIG. 8**