



US00D911852S

(12) **United States Design Patent**
Barp

(10) **Patent No.:** **US D911,852 S**
(45) **Date of Patent:** **** Mar. 2, 2021**

- (54) **BOTTLE**
- (71) Applicant: **Axiom Packaging LLC**, New Albany, OH (US)
- (72) Inventor: **Ivan Da Barp**, New Albany, OH (US)
- (73) Assignee: **Axiom Packaging LLC**, New Albany, OH (US)

D379,929 S *	6/1997	Dallaire	D9/520
D539,156 S *	3/2007	Fraser	D9/531
D873,144 S *	1/2020	Trafficano, Jr.	D9/531
D874,284 S *	2/2020	Palmer	D9/531
D880,302 S *	4/2020	Palmer	D9/516
D892,625 S *	8/2020	Palmer	D9/516
2013/0001234 A1 *	1/2013	Glover	B65D 85/80 220/606
2014/0374426 A1 *	12/2014	Glover	B29C 49/48 220/606

- (**) Term: **15 Years**
- (21) Appl. No.: **29/652,551**
- (22) Filed: **Sep. 16, 2020**

* cited by examiner

Primary Examiner — Dana Meyrow

(74) *Attorney, Agent, or Firm* — Porter, Wright, Morris & Arthur, LLP

Related U.S. Application Data

- (62) Division of application No. 29/643,535, filed on Apr. 10, 2018, now Pat. No. Des. 904,193.
- (51) **LOC (13) Cl.** **09-01**
- (52) **U.S. Cl.**
USPC **D9/531; D9/550; D9/557**
- (58) **Field of Classification Search**
USPC D9/434, 500, 502–503, 516, 530–531, D9/537–538, 540, 549, 550, 556–558, D9/715, 719, 528; 215/379, 381–383; 220/660, 662, 669–670, 672, 675
CPC B65D 1/00; B65D 1/02; B65D 1/0223; B65D 1/44; B65D 23/00; B65D 23/102; B65D 2501/00; B65D 2501/0009; B65D 2501/0018; B65D 2501/0036; B65D 23/10; B65D 23/104; B65D 23/106
See application file for complete search history.

(57) **CLAIM**

The ornamental design for a bottle, as shown and described.

DESCRIPTION

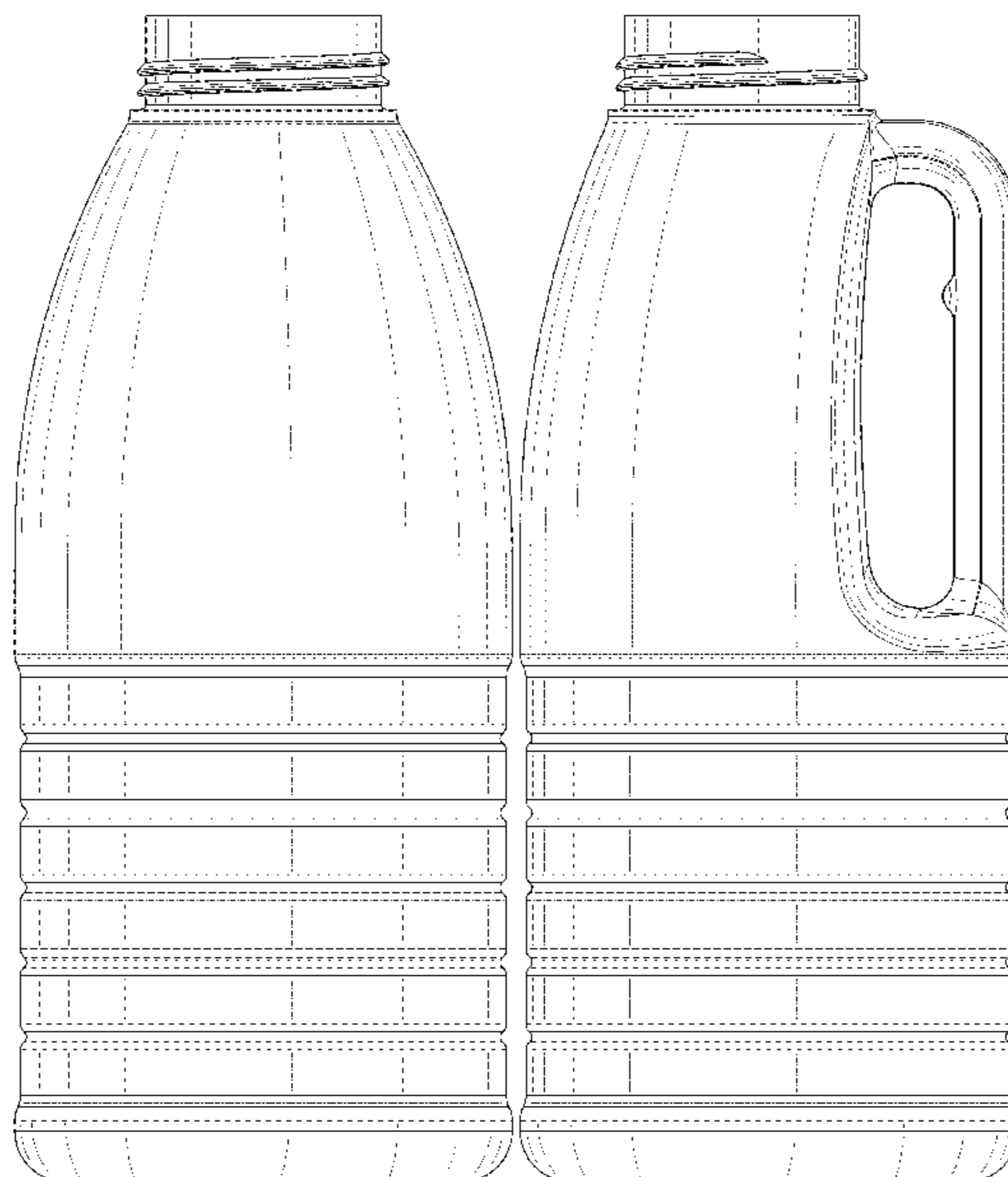
FIG. 1 is a perspective view of a bottle according to my new design;
 FIG. 2 is front view thereof;
 FIG. 3 is a rear view thereof;
 FIG. 4 is a left side view thereof;
 FIG. 5 is a right side view thereof;
 FIG. 6 is a top view thereof;
 FIG. 7 is bottom view thereof; and,
 FIG. 8 is an enlarged fragmented view thereof, taken from FIG. 2.
 The broken lines in the drawings illustrate the portions of the bottle that form no part of the claim.

(56) **References Cited**

U.S. PATENT DOCUMENTS

- 5,092,476 A * 3/1992 Yasuda B65D 23/106
215/398
- D374,624 S * 10/1996 Paoloski D9/531

1 Claim, 8 Drawing Sheets



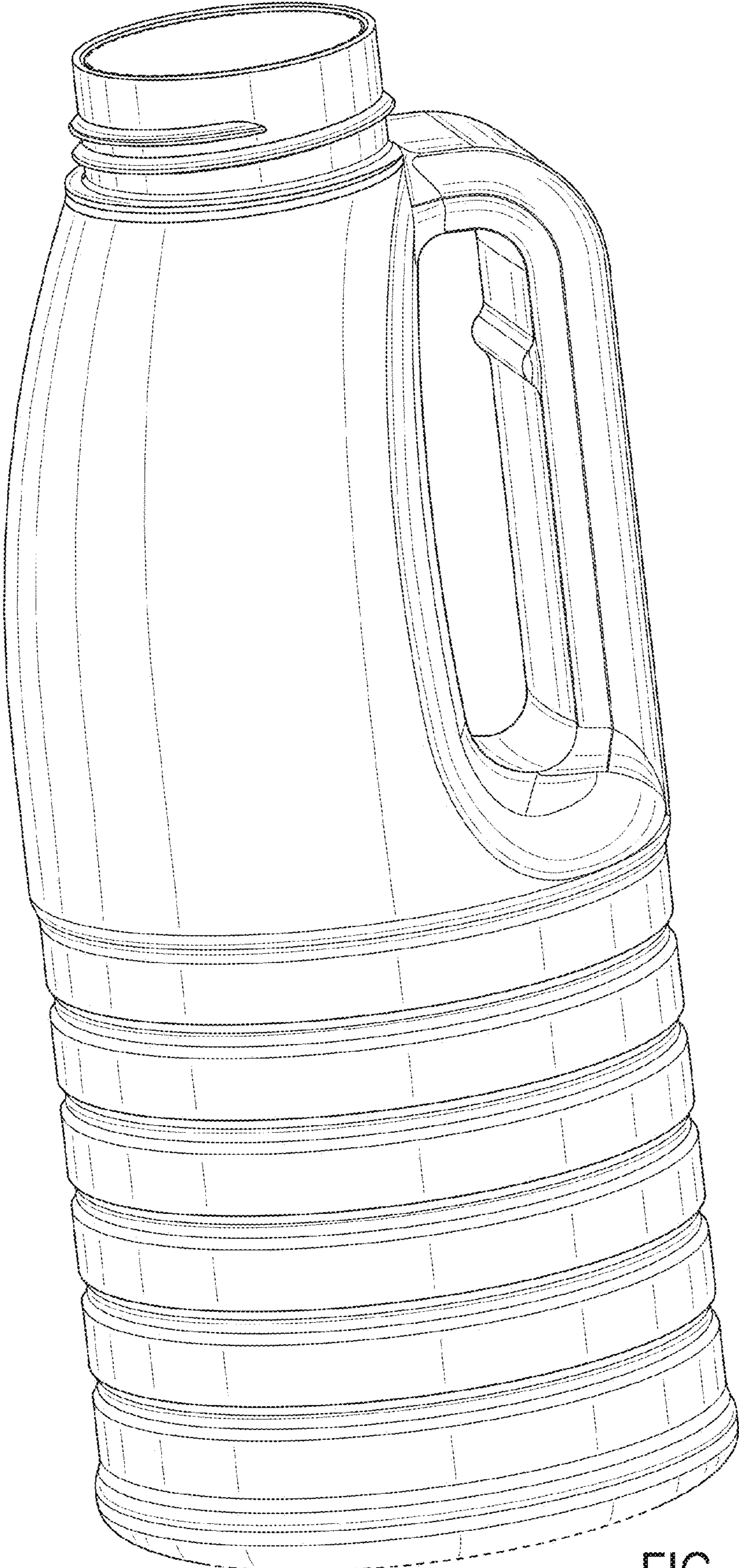


FIG. 1

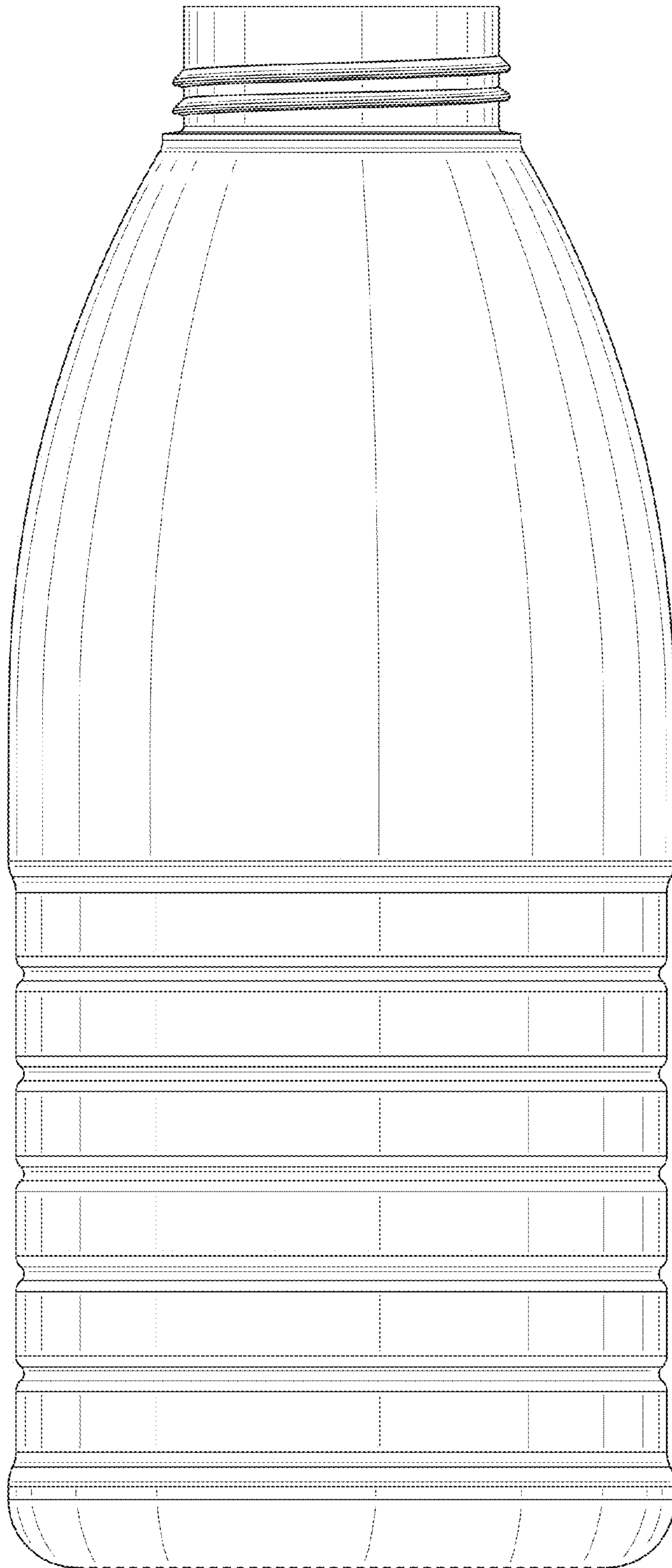


FIG. 2

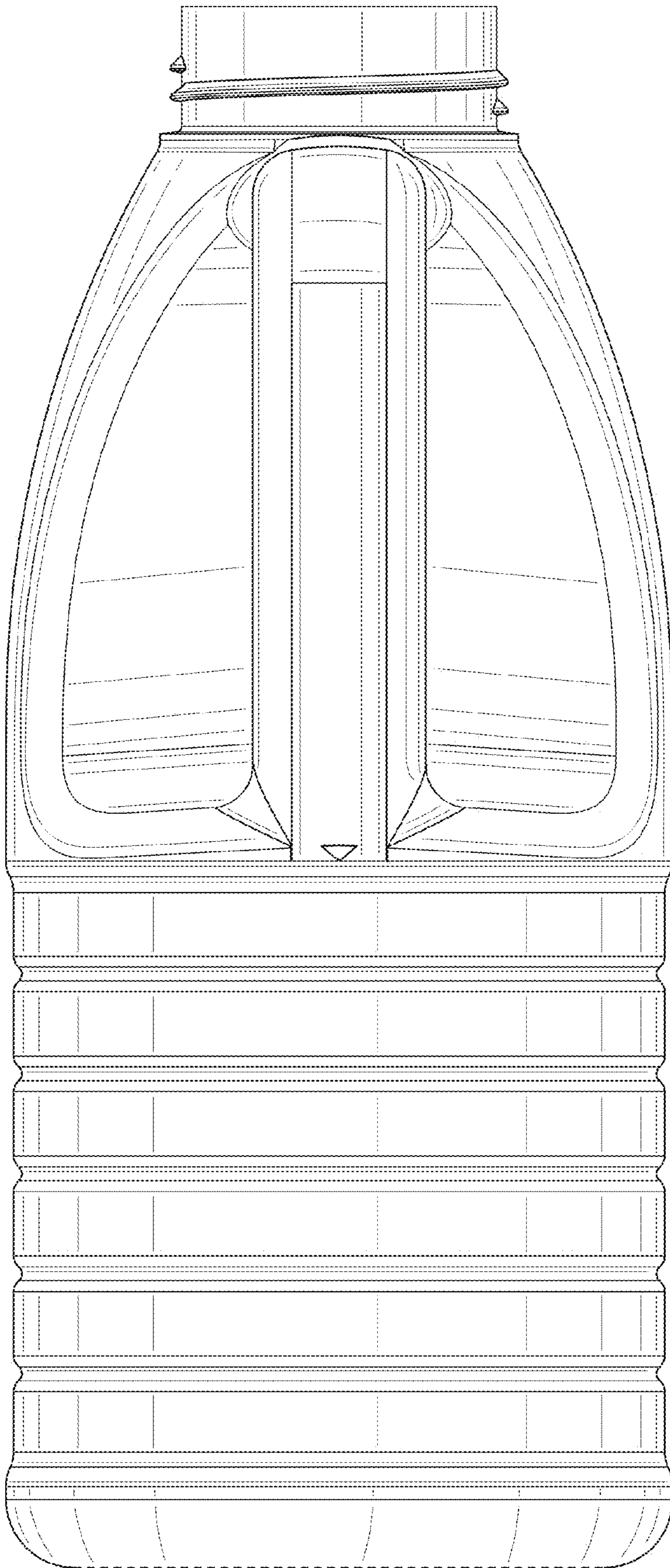


FIG. 3

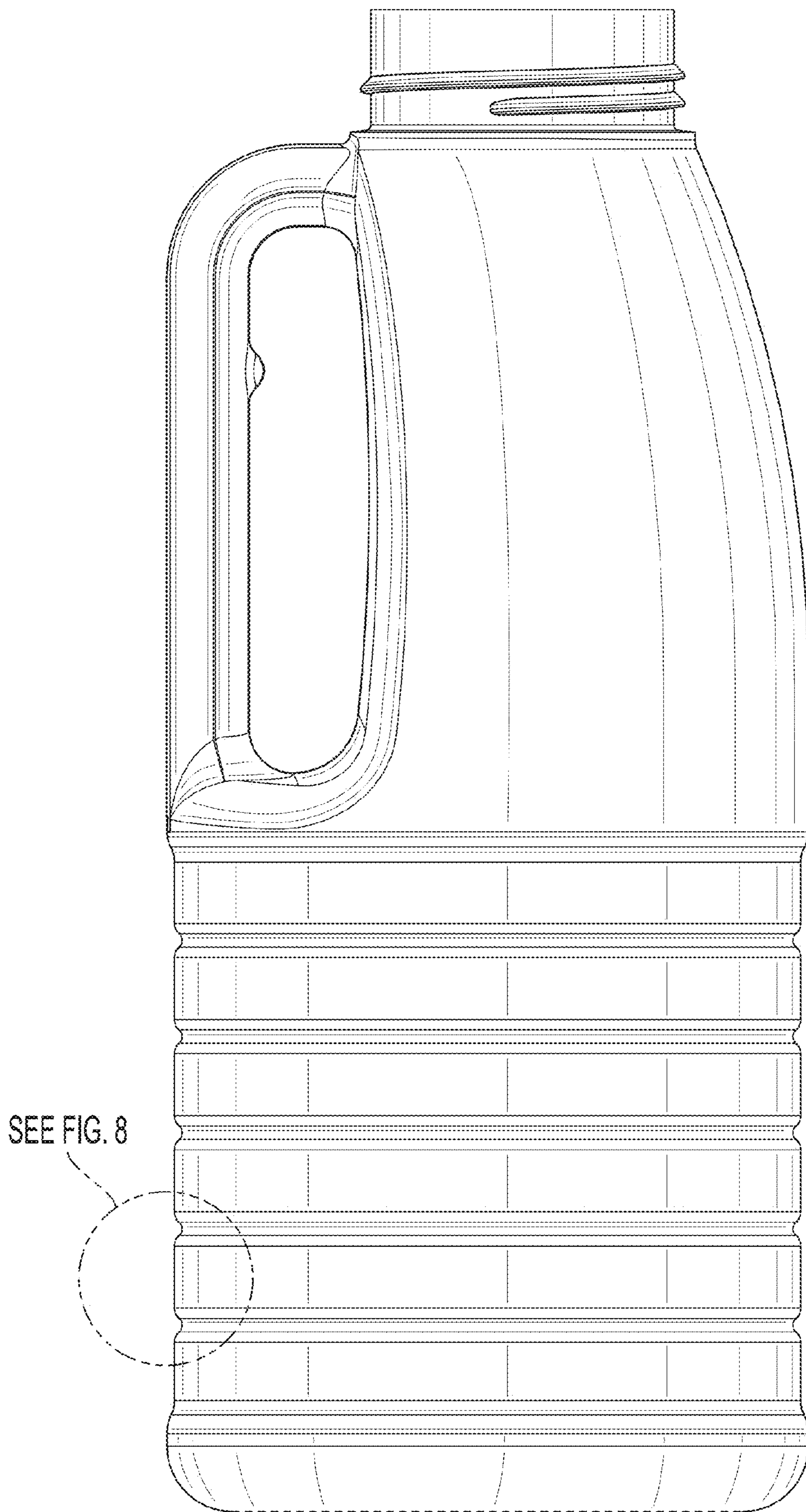


FIG. 4

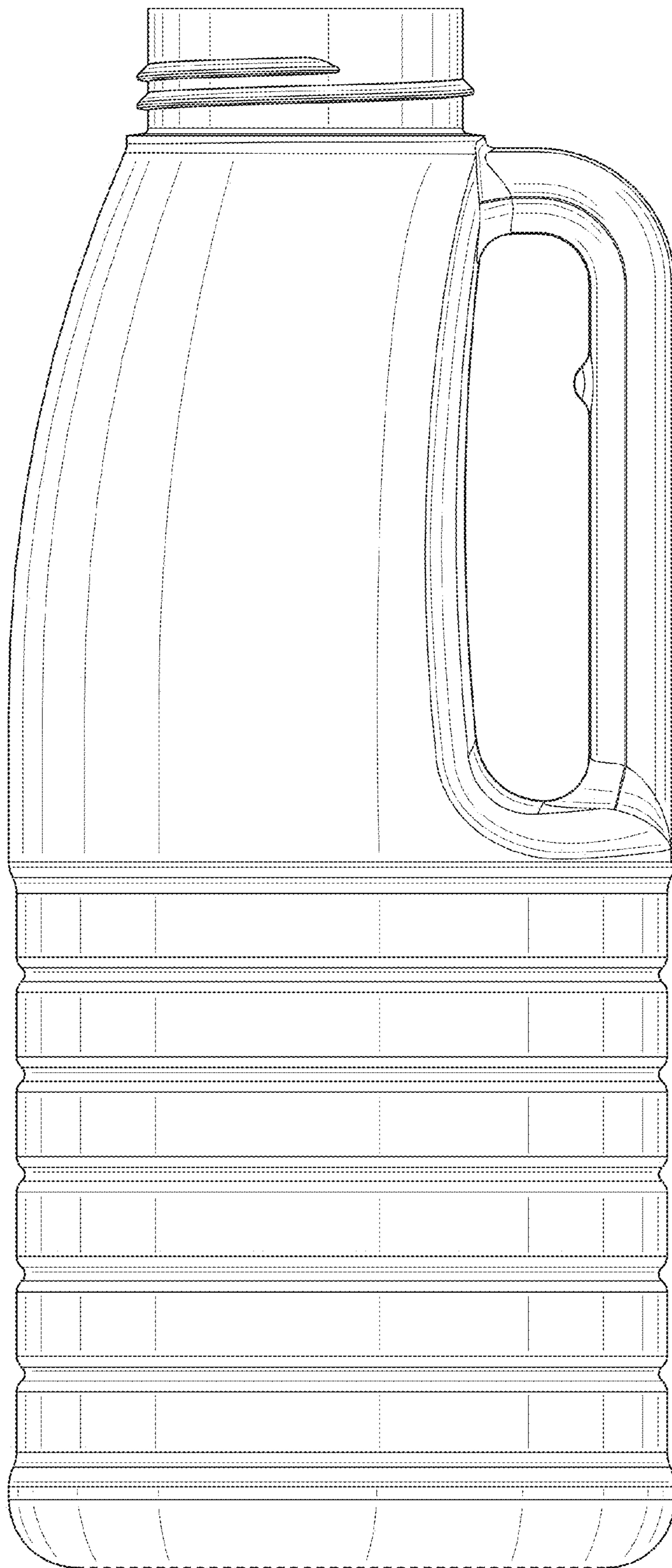


FIG. 5

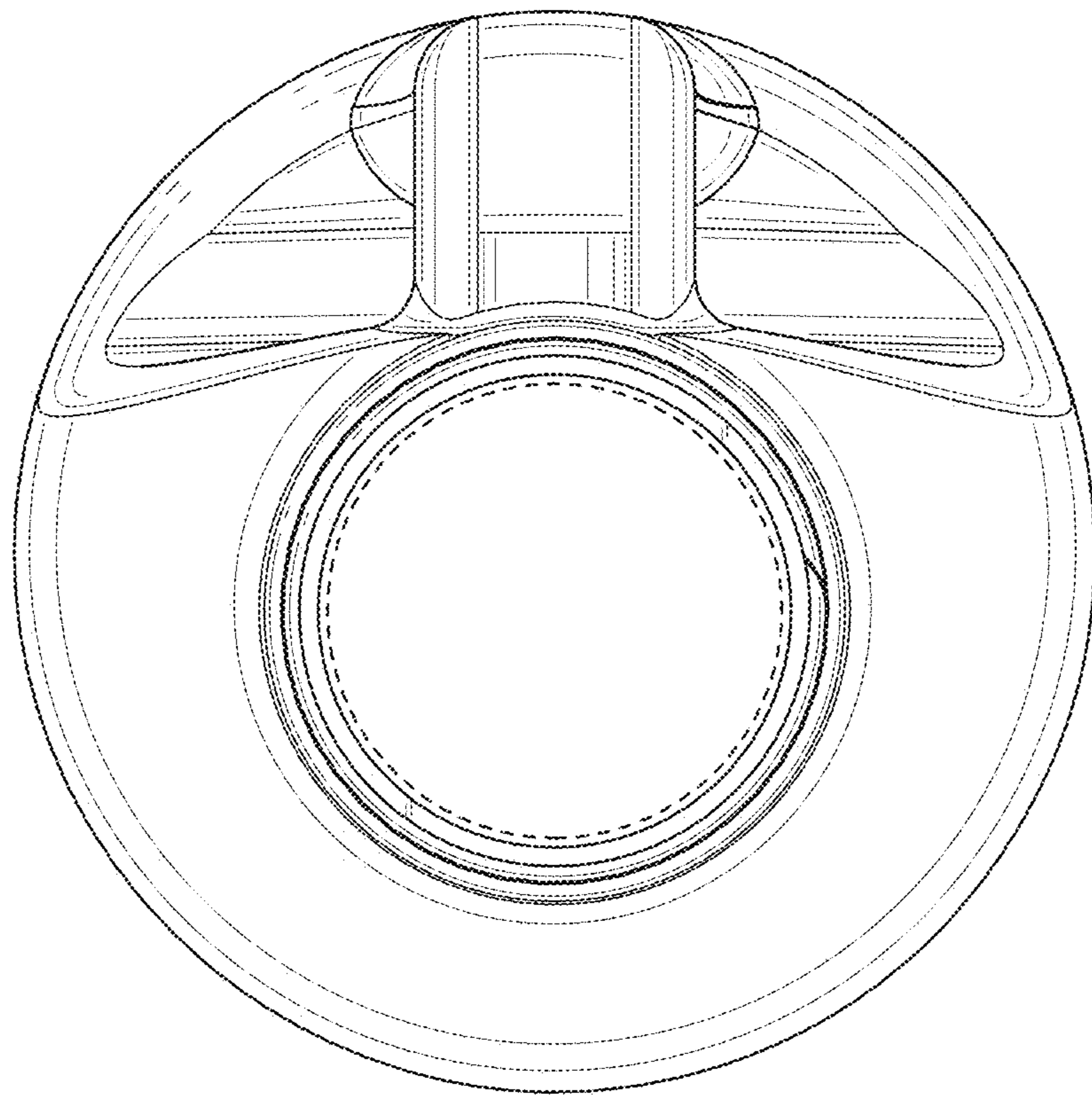


FIG. 6

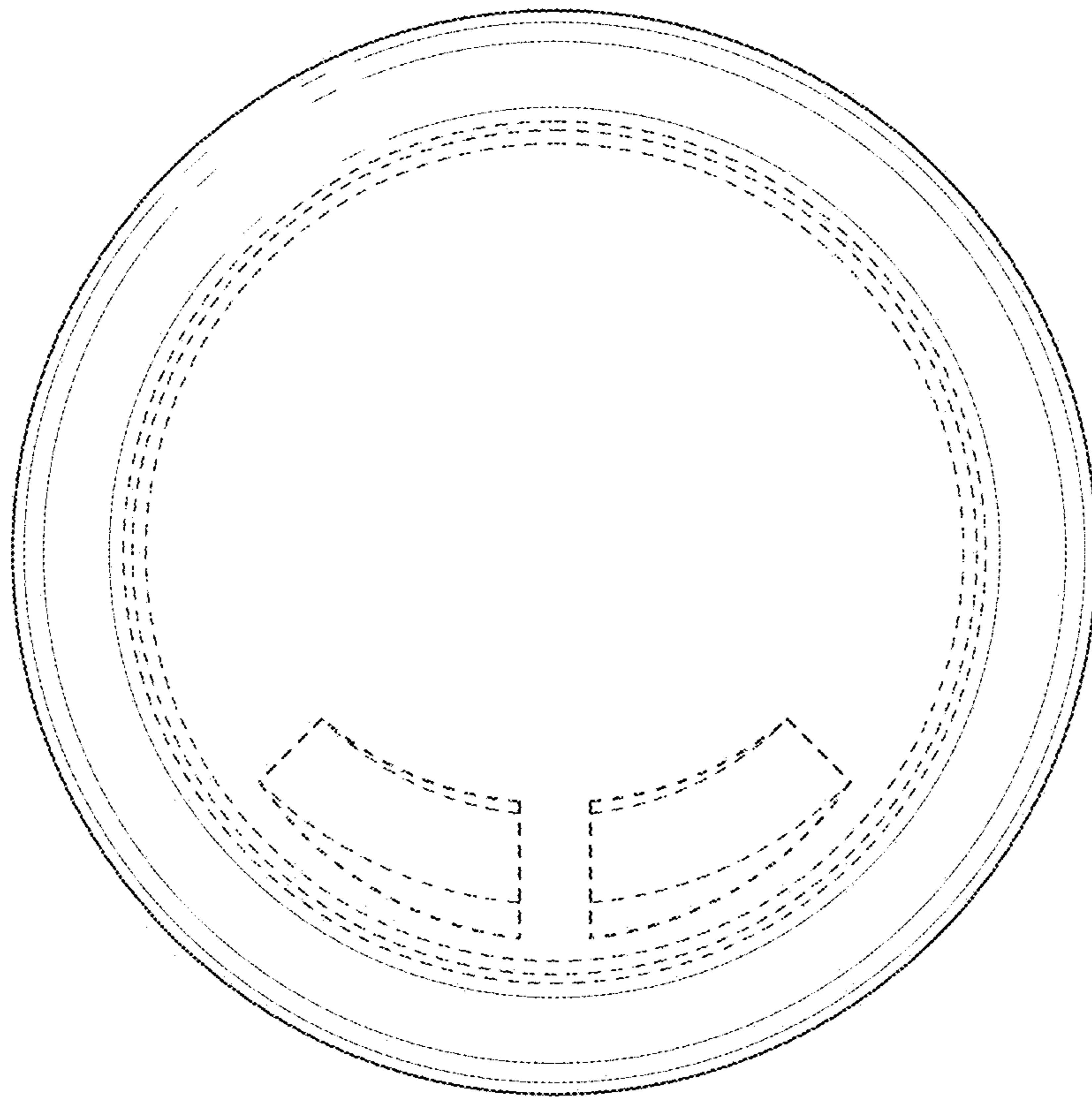


FIG. 7

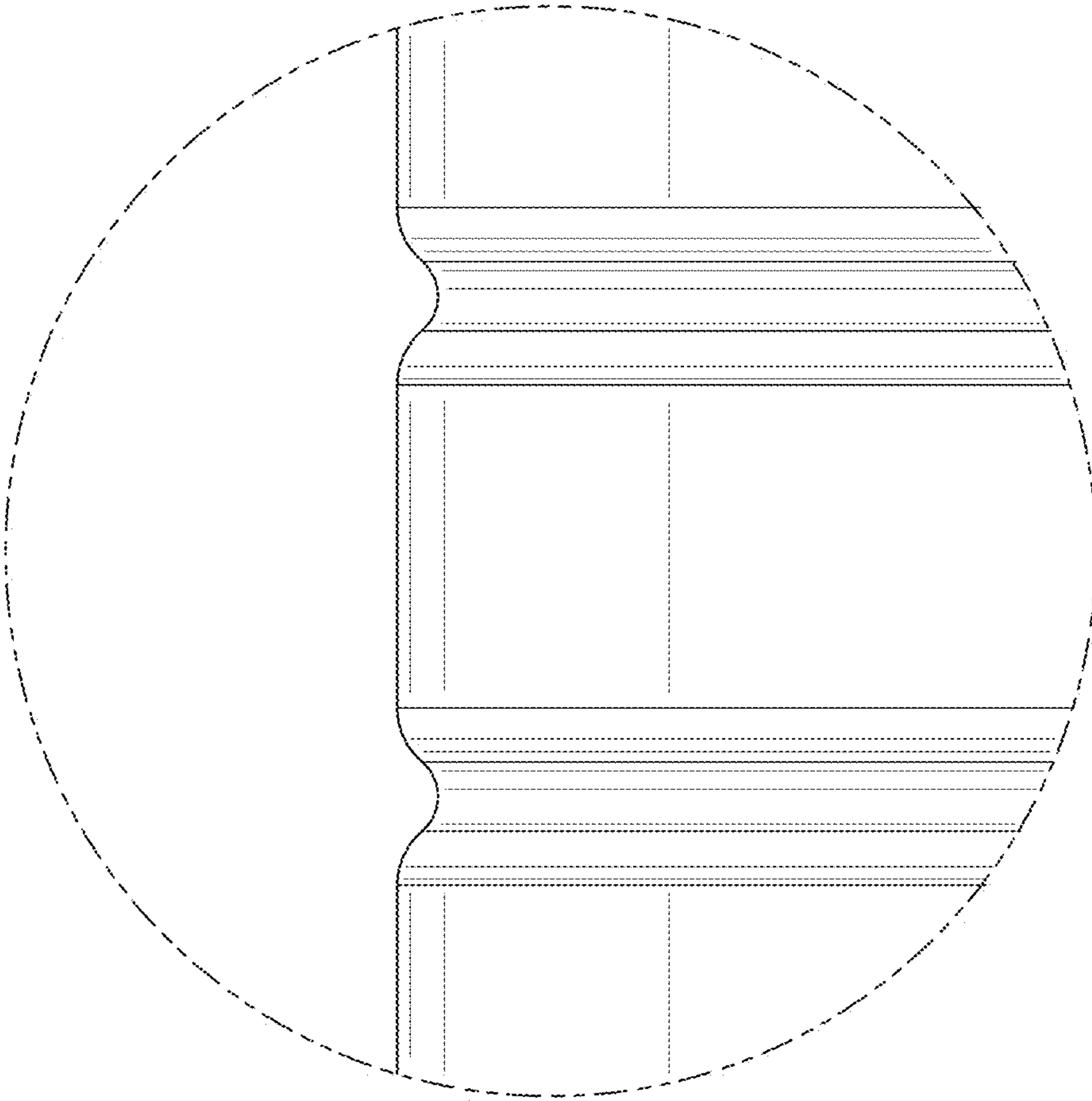


FIG. 8