



US00D911845S

(12) **United States Design Patent**
Huang

(10) **Patent No.:** **US D911,845 S**
(45) **Date of Patent:** **** Mar. 2, 2021**

(54) **CONTAINER**

(71) Applicant: **Shenzhen Xinyuetang Plastic & Hardware Co., Ltd., Shenzhen (CN)**

(72) Inventor: **Lihua Huang, Shenzhen (CN)**

(**) Term: **15 Years**

(21) Appl. No.: **29/678,626**

(22) Filed: **Jan. 30, 2019**

(51) **LOC (13) Cl.** **09-01**

(52) **U.S. Cl.**
USPC **D9/523; D3/202; D15/90**

(58) **Field of Classification Search**
USPC D9/553, 530, 539, 540, 523, 560, 563,
D9/549, 738, 500, 501, 428, 429, 565,
D9/575, 529, 531, 573, 730; D7/509,
D7/510, 511, 523, 605, 608, 603;
D24/121; D11/143; D3/202; D23/211.1,
D23/211.2; D15/90
CPC B65D 1/0223; B65D 79/005; B65D
2501/0081; B65D 23/102; B65D
2501/0036

See application file for complete search history.

(56) **References Cited**

U.S. PATENT DOCUMENTS

D294,557 S *	3/1988	Jones	D9/523
D322,383 S *	12/1991	Jones	D9/523
D430,939 S *	9/2000	Zukor	D24/121
D605,524 S *	12/2009	Manocheo	D9/573
D611,821 S *	3/2010	Gabrielsson	D9/563
8,777,040 B2 *	7/2014	Wahl	B65D 43/16 D7/510
D734,848 S *	7/2015	Stonig	D24/121
D742,175 S *	11/2015	Rashid	D7/511
D769,721 S *	10/2016	Zahr	D9/523
D815,546 S *	4/2018	Edwards	D9/730

D821,737 S *	7/2018	Hering	D3/202
D838,472 S *	1/2019	Gauss	D3/202
D852,045 S *	6/2019	Robson	D9/523
D854,937 S *	7/2019	Li	D9/563
D861,493 S *	10/2019	Sutton	D9/575

FOREIGN PATENT DOCUMENTS

CN 305002151 * 1/2019

OTHER PUBLICATIONS

OICEPACK 2 in 1 Reusable, Oct. 14, 2019, Amazon Review Post, Amazon.com URL: <https://www.amazon.com/OICEPACK-Reusable-Dishwasher-Freezer-Outdoor/dp/B07JG5347V?th=1> (Year: 2019).*

* cited by examiner

Primary Examiner — Brett Miller
Assistant Examiner — Rani J Abdallah
(74) *Attorney, Agent, or Firm* — Erson IP (Nelson IP)

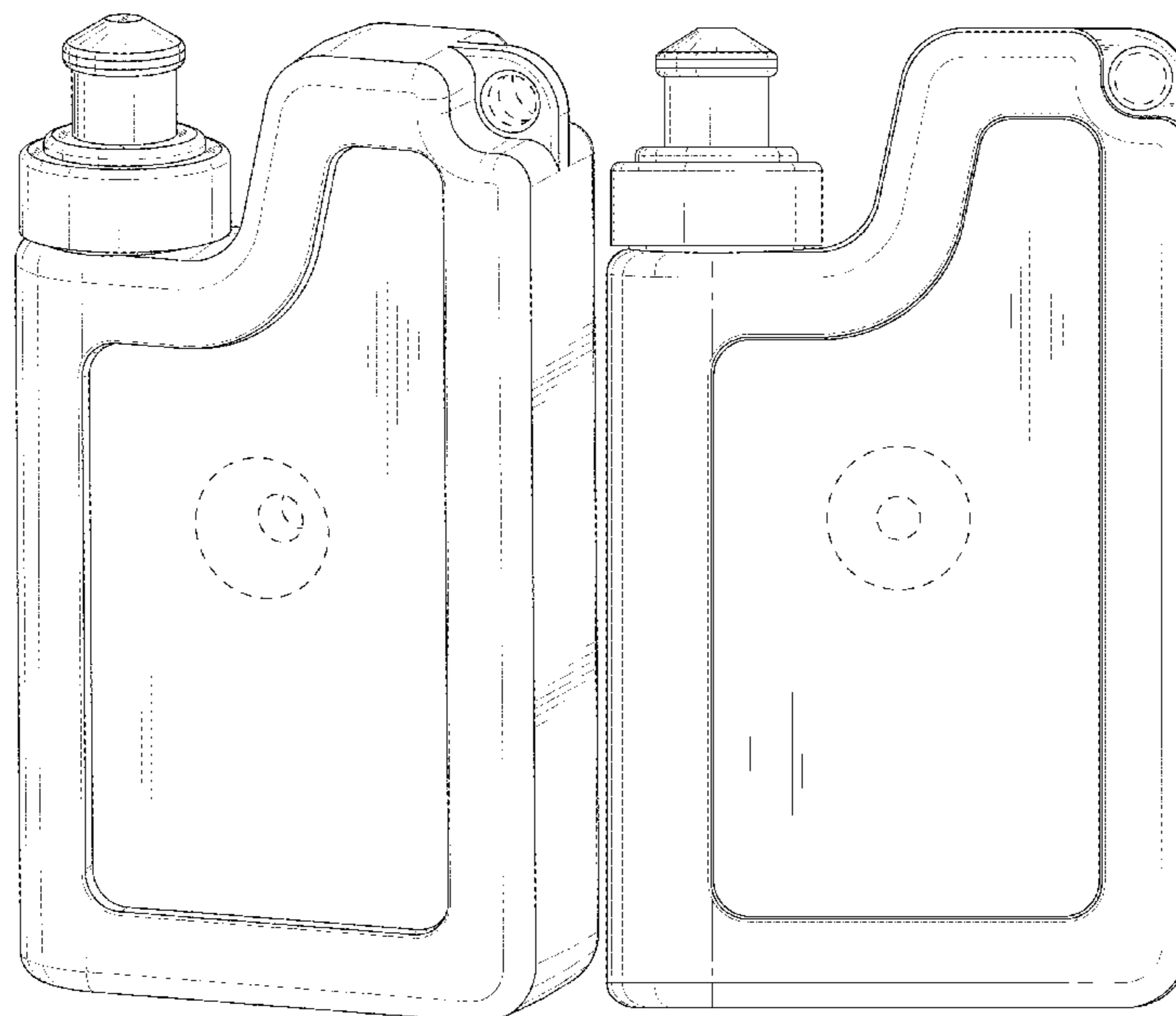
(57) **CLAIM**

The ornamental design for a container, as shown and described.

DESCRIPTION

FIG. 1 is a perspective view of a container showing my new design;
FIG. 2 is a front view thereof;
FIG. 3 is a rear view thereof;
FIG. 4 is a left side view thereof;
FIG. 5 is a right side view thereof;
FIG. 6 is a top plan view thereof; and,
FIG. 7 is a bottom plan view thereof.
The broken lines are for the purposes of illustrating portions of the container and form no part of the claimed design.

1 Claim, 7 Drawing Sheets



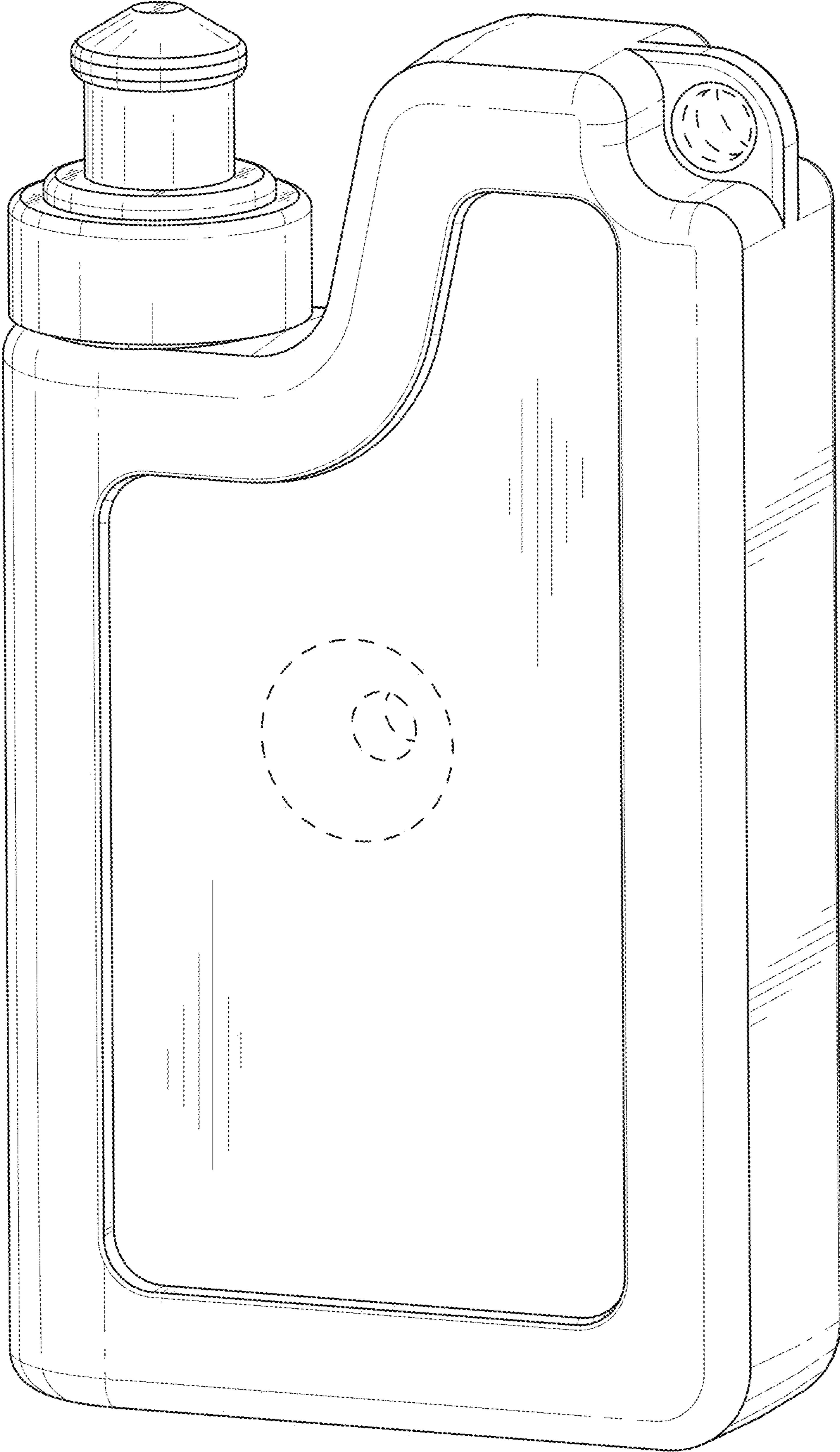


Fig.1

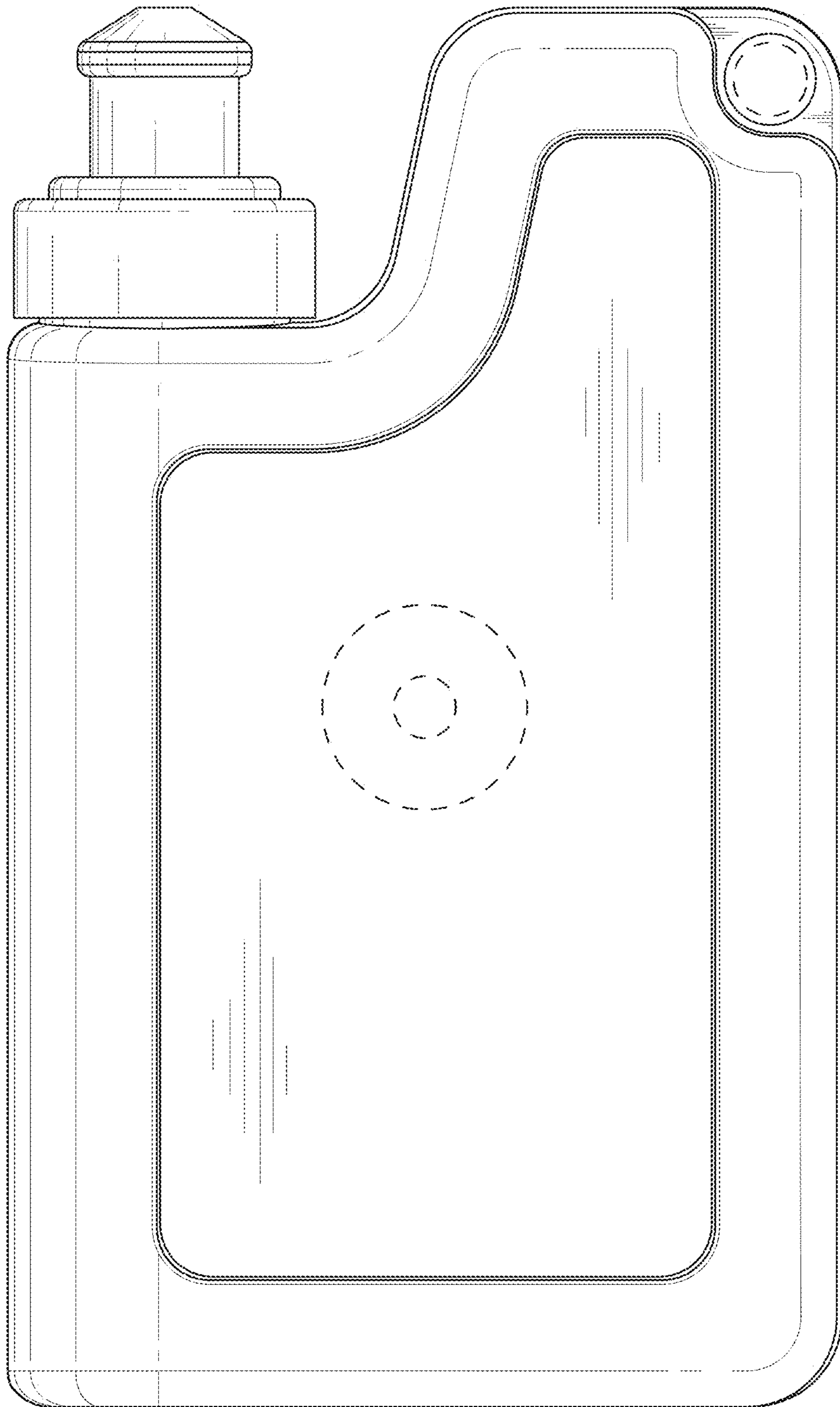


Fig.2

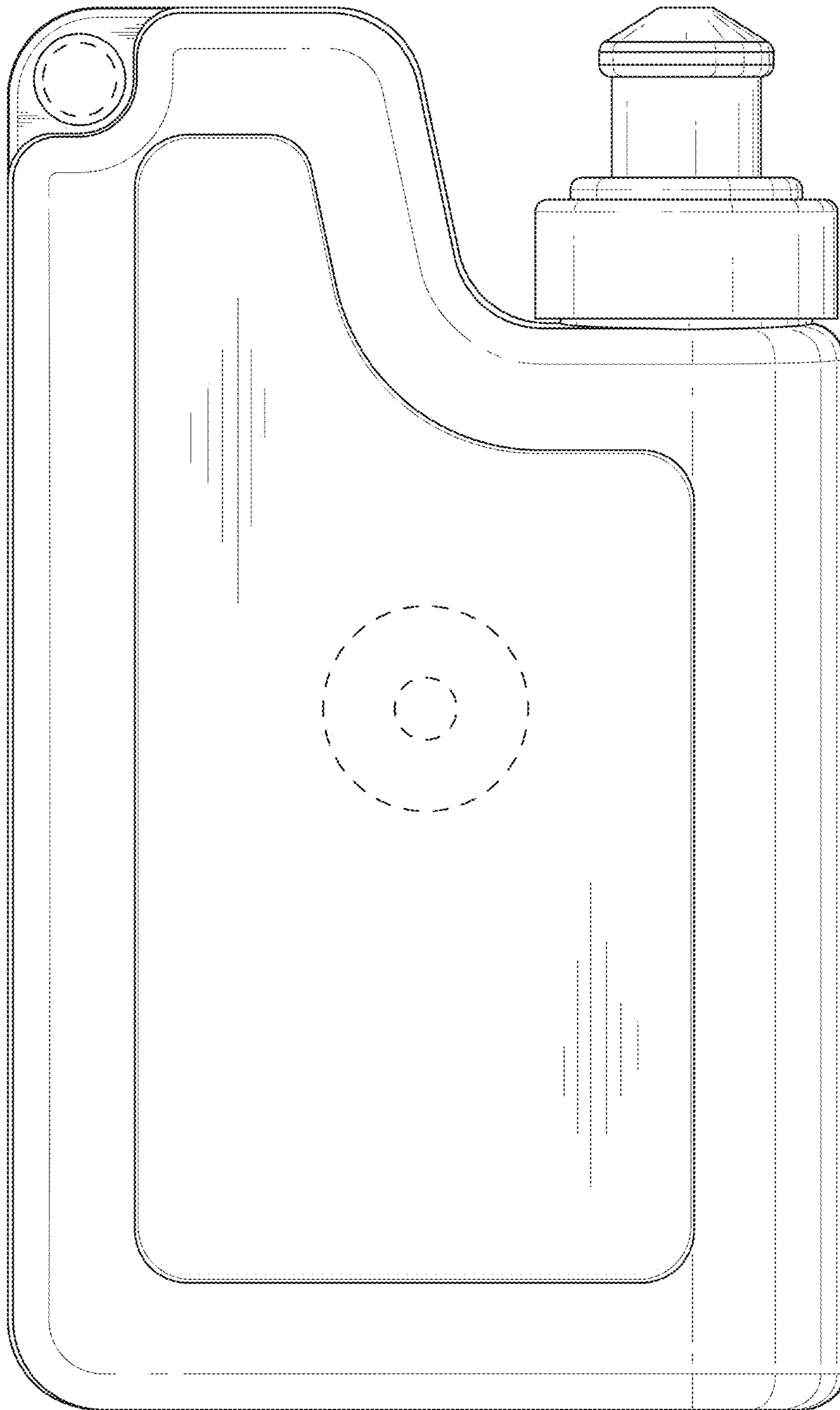


Fig.3

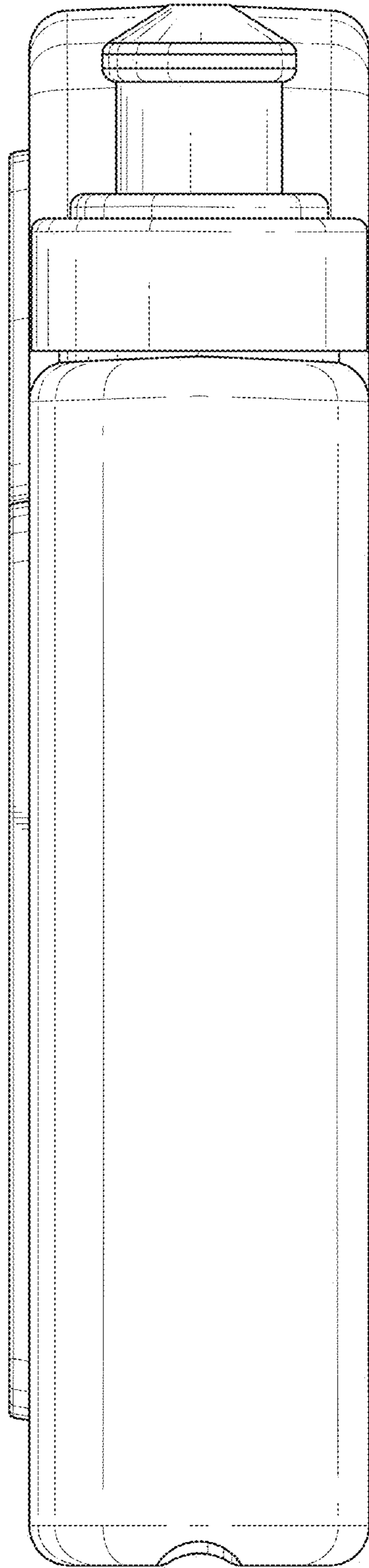


Fig.4

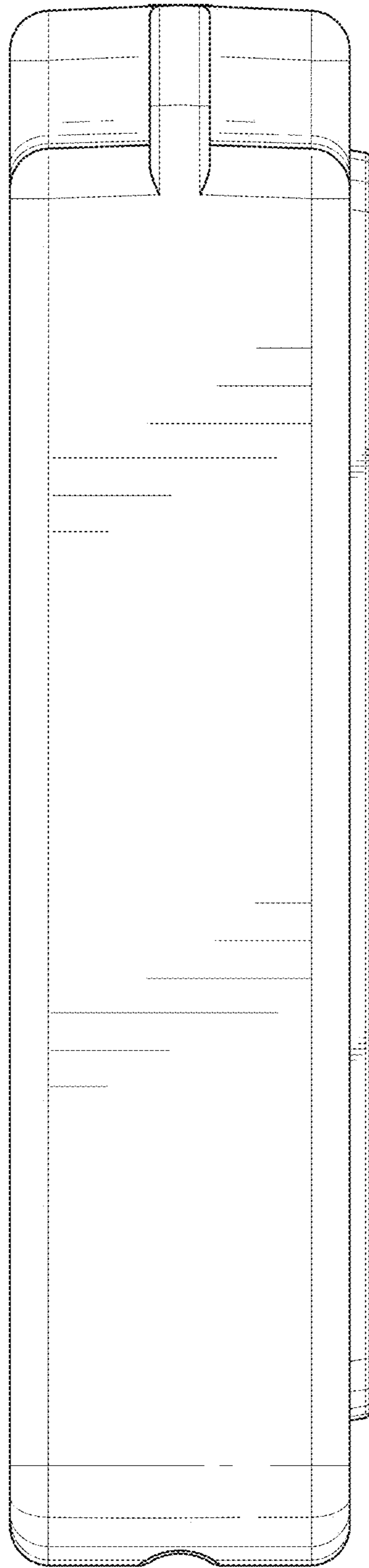


Fig.5

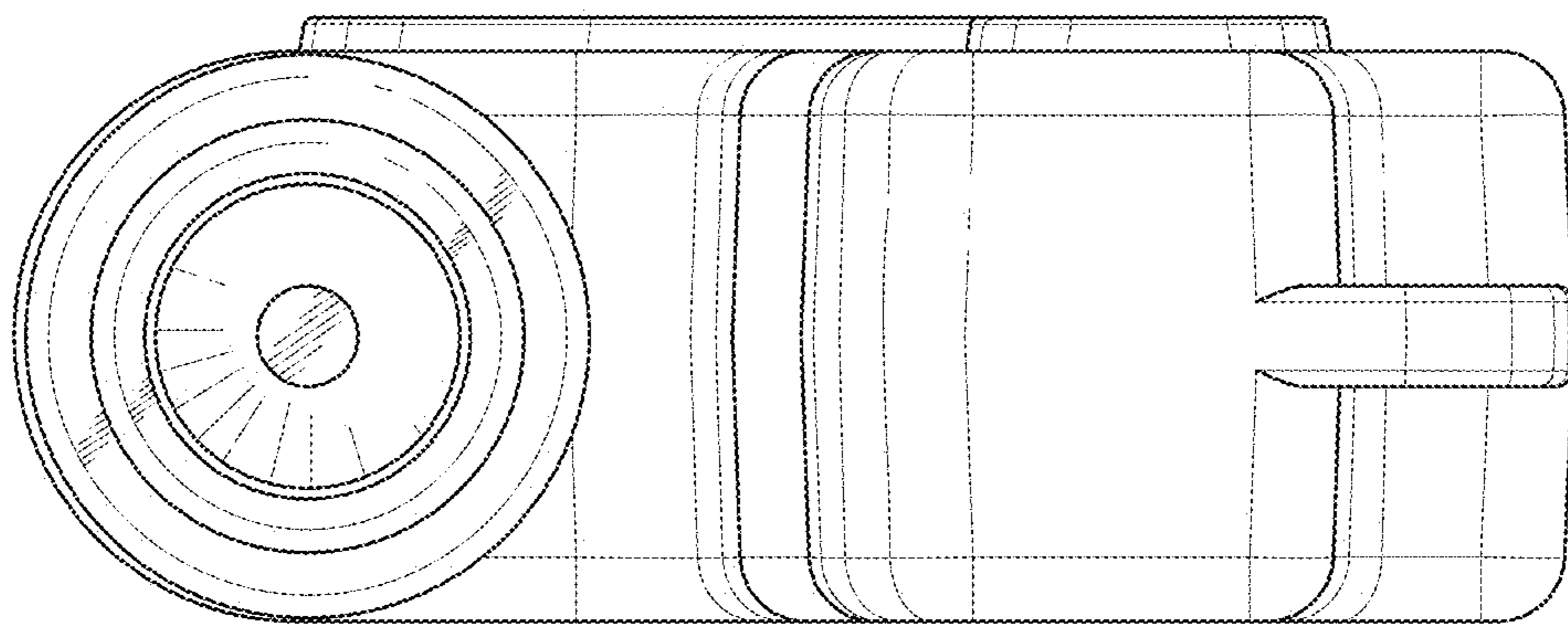


Fig.6

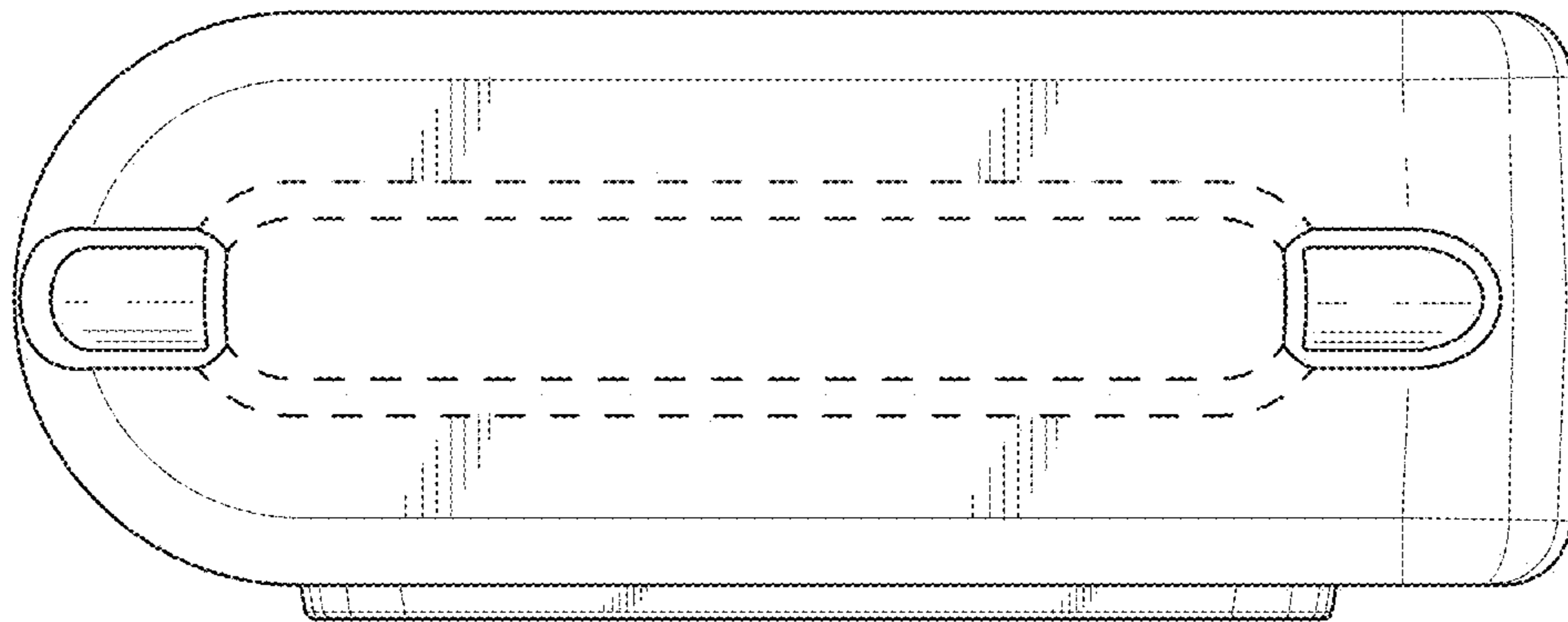


Fig. 7