



US00D911844S

(12) **United States Design Patent**
Buckley et al.

(10) **Patent No.:** **US D911,844 S**
(45) **Date of Patent:** **** Mar. 2, 2021**

(54) **BOTTLE FOR A CLEANING DEVICE**

FOREIGN PATENT DOCUMENTS

(71) Applicant: **Unger Marketing International, LLC**,
Bridgeport, CT (US)

CA 2730814 A1 8/2011
CA 2834982 C 11/2012

(Continued)

(72) Inventors: **James M. Buckley**, New Hartford, CT
(US); **Joseph K. Patterson**, Monroe,
CT (US)

Primary Examiner — Brett Miller
Assistant Examiner — Rani J Abdallah

(74) *Attorney, Agent, or Firm* — Cantor Colburn LLP

(73) Assignee: **UNGER MARKETING
INTERNATIONAL, LLC**, Bridgeport,
CT (US)

(57) **CLAIM**

The ornamental design for a bottle for a cleaning device, as
shown and described.

(**) Term: **15 Years**

DESCRIPTION

(21) Appl. No.: **29/677,309**

(22) Filed: **Jan. 18, 2019**

(51) **LOC (13) Cl.** **09-01**

(52) **U.S. Cl.**
USPC **D9/521; D9/530; D9/543**

(58) **Field of Classification Search**
USPC D9/500, 516, 521, 530, 536, 542, 544,
D9/549, 550, 556, 558, 559, 562, 563,
D9/565, 572, 573, 574, 575, 552, 560,
D9/571; D4/114; D7/590

CPC B65D 1/0223; B65D 23/102; B65D
2501/0081; B65D 2501/0036; B65D
79/005; B65D 1/44; C08L 33/08; A61J
1/03; A61J 1/00

See application file for complete search history.

FIG. 1 is a perspective view of a bottle, showing our new
design in a first embodiment;

FIG. 2 is a front view of the embodiment shown in FIG. 1;
FIG. 3 is a rear view of the embodiment shown in FIG. 1;
FIG. 4 is a side view of the embodiment shown in FIG. 1;
FIG. 5 is another side view of the embodiment shown in
FIG. 1;

FIG. 6 is a top view of the embodiment shown in FIG. 1;
FIG. 7 is a bottom view of the embodiment shown in FIG.
1;

FIG. 8 is a perspective view of a bottle, showing our new
design in a second embodiment;

FIG. 9 is a front view of the embodiment shown in FIG. 8;
FIG. 10 is a rear view of the embodiment shown in FIG. 8;
FIG. 11 is a side view of the embodiment shown in FIG. 8;
FIG. 12 is another side view of the embodiment shown in
FIG. 8;

FIG. 13 is a top view of the embodiment shown in FIG. 8;
and,
FIG. 14 is a bottom view of the embodiment shown in FIG.
8.

The broken lines in the figures are for environmental pur-
poses only and form no part of the claimed design.

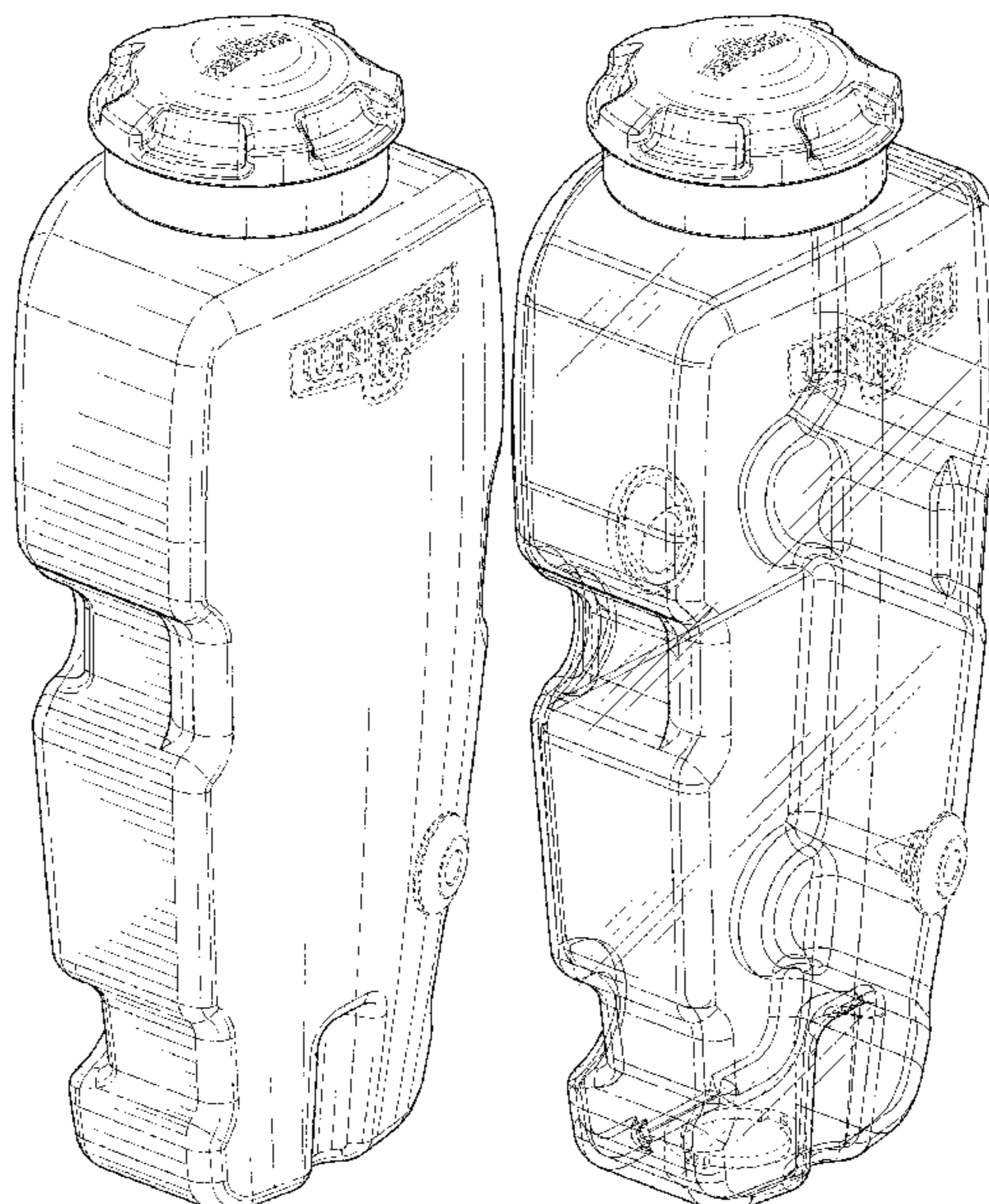
(56) **References Cited**

U.S. PATENT DOCUMENTS

359,605 A 3/1887 Harry
388,934 A 9/1888 Trapp

(Continued)

1 Claim, 12 Drawing Sheets



(56)

References Cited

U.S. PATENT DOCUMENTS

411,673	A	9/1889	Newman	D485,954	S	1/2004	Hall et al.	
D31,801	S	11/1899	Gardner	6,695,516	B2	2/2004	DeFields	
836,115	A	11/1906	Johnson	6,722,806	B2	4/2004	Kunkler	
1,315,194	A	9/1919	Yamamoto	6,726,388	B1	4/2004	Monahan	
1,426,440	A	8/1922	Zieschang	D490,561	S	5/2004	Angeletta	
1,692,137	A	11/1928	Orr	D498,680	S *	11/2004	Cleary	D9/542
1,927,227	A	9/1933	Woods	6,814,466	B2	11/2004	Parsons et al.	
2,104,161	A	12/1934	Koukal	6,854,911	B2	2/2005	Policicchio	
2,073,170	A	3/1937	Pieper	6,854,912	B2	2/2005	Dyer	
D114,601	S	5/1939	Hulsh	D505,762	S	5/2005	Lalanne	
2,187,671	A	1/1940	Suddarth	6,889,917	B2	5/2005	Fahy	
2,340,530	A	2/1944	Hefner	6,892,915	B2	5/2005	Mares	
2,426,373	A	8/1947	Ogawa et al.	6,893,180	B2	5/2005	Hall	
2,575,124	A	11/1951	Pollitt	6,899,485	B2	5/2005	Hall	
2,815,522	A	12/1957	Hexter	6,948,873	B2	9/2005	Policicchio et al.	
D186,360	S	10/1959	Lathrop et al.	6,951,430	B2	10/2005	Fernschild	
2,923,018	A	2/1960	Matthay	6,953,299	B2	10/2005	Wang	
3,039,126	A	6/1962	Kessler	6,955,490	B2	10/2005	Chase	
3,457,016	A	7/1969	Gotberg	D511,970	S *	11/2005	Cleary	D9/542
3,510,028	A	5/1970	Batistelli	6,960,042	B1	11/2005	Hsiao	
4,088,252	A	5/1978	Grunberger	6,964,535	B2	11/2005	Bell	
D262,936	S	2/1982	Nishiyama	D514,267	S	1/2006	Tsai	
4,324,012	A	4/1982	Cannaday	6,981,533	B2	1/2006	Zorzo	
4,704,758	A	11/1987	Hoffman	6,986,618	B2	1/2006	Hall	
4,776,716	A	10/1988	Huang	6,986,619	B2	1/2006	Hall	
4,809,388	A	3/1989	Dietrich	7,004,658	B2	2/2006	Hall	
D300,506	S	4/1989	Pedone	D520,372	S *	5/2006	Andoh	D9/542
4,863,299	A	9/1989	Osberghaus	D521,391	S *	5/2006	Andoh	D9/542
D311,254	S	10/1990	Clair	7,040,510	B1	5/2006	Hester	
D317,108	S	5/1991	Cochran	7,048,458	B2	5/2006	Hall	
D339,918	S	10/1993	Chamberlain	7,048,804	B2	5/2006	Kisela	
D341,234	S	11/1993	Blessing	7,056,050	B2	6/2006	Sacks	
D341,941	S	12/1993	Stokes	7,062,816	B2	6/2006	Kasper et al.	
5,271,682	A	12/1993	Realdon	D528,011	S	9/2006	Ueda et al.	
D346,543	S	5/1994	Berti	7,121,598	B2	10/2006	Pourtier et al.	
5,363,528	A	11/1994	Brock	7,159,275	B2	1/2007	Chang	
5,375,286	A	12/1994	Harrah	7,160,044	B2	1/2007	Dyer	
5,553,759	A	9/1996	McMaster	7,163,349	B2	1/2007	Policicchio	
5,632,429	A	5/1997	Cantwell	D536,850	S	2/2007	Sacks	
5,671,872	A	9/1997	Daniels, Jr.	7,172,099	B2	2/2007	Hofte	
D387,208	S	12/1997	Collett	7,191,486	B1	3/2007	Michelson	
5,720,071	A	2/1998	Hall	D547,508	S	7/2007	Thomas	
5,735,620	A	4/1998	Ford	D548,909	S	8/2007	Murray	
5,791,006	A	8/1998	Anctil	D552,314	S	10/2007	Harper et al.	
5,823,414	A	10/1998	Gal	D552,995	S *	10/2007	Toh	D9/516
D401,703	S	11/1998	Beechuk et al.	D553,502	S *	10/2007	Toh	D9/530
D403,447	S	12/1998	Parsons	D553,503	S *	10/2007	Toh	D9/530
D404,282	S	1/1999	Hsu	7,341,389	B2	3/2008	Chase	
5,888,006	A	3/1999	Ping	D567,096	S *	4/2008	Toh	D9/542
5,920,944	A	7/1999	Biggs	D568,567	S	5/2008	Baumkirchner et al.	
D412,783	S	8/1999	You	D573,882	S *	7/2008	Toh	D9/516
5,954,253	A	9/1999	Swetish	D574,741	S	8/2008	Gadsden	
5,954,420	A	9/1999	Smith	7,431,524	B2	10/2008	Sacks	
6,023,924	A	2/2000	Babineau	D583,255	S	12/2008	Castor et al.	
6,170,112	B1	1/2001	Mayfield	D584,167	S	1/2009	Murray et al.	
D440,837	S	4/2001	Hart	D586,514	S	2/2009	Perelli	
6,378,922	B1	4/2002	Troutt	D590,117	S	4/2009	Crawford	
D458,427	S	6/2002	Kunkler et al.	D591,615	S	5/2009	Nomura et al.	
D458,721	S	6/2002	Clarke	D592,819	S	5/2009	Crawford	
6,397,427	B1	6/2002	Bryngelsson	7,530,136	B1	5/2009	Ball	
6,397,473	B1	6/2002	Clark	D597,269	S	7/2009	McNeil et al.	
6,449,803	B1	9/2002	McConchie	D602,664	S	10/2009	Crawford	
6,487,747	B2	12/2002	Cavalheiro	D604,628	S *	11/2009	Schultz	D9/542
6,497,525	B1	12/2002	Huang	7,618,206	B2	11/2009	Sacks	
6,540,424	B1	4/2003	Hall	7,621,686	B2	11/2009	Fernschild	
6,551,001	B2	4/2003	Aberegg	D608,885	S	1/2010	Sneddon et al.	
6,579,023	B2	6/2003	Kunkler	7,653,958	B2	2/2010	Rosenzweig	
D480,188	S	9/2003	Blouse'	D611,668	S	3/2010	Wessel	
6,612,768	B2	9/2003	Zorzo	7,670,073	B2	3/2010	Fernschild	
D481,290	S	10/2003	Thompson	D614,824	S	4/2010	Heidel et al.	
6,651,853	B2	11/2003	Higgins	7,699,551	B2	4/2010	Suda	
6,655,866	B1	12/2003	Morad et al.	7,708,485	B2	5/2010	Tanaka	
6,659,670	B1	12/2003	Blouse	7,722,273	B2	5/2010	Tanaka	
6,663,306	B2	12/2003	Policicchio et al.	D618,411	S	6/2010	Crawford	
6,669,391	B2	12/2003	Policicchio	D619,898	S *	7/2010	Graham	D9/563
				D619,906	S	7/2010	Carignan et al.	
				7,794,165	B2	9/2010	Balz	
				D628,352	S	11/2010	Libman et al.	
				D629,984	S	12/2010	Carlson	

(56)

References Cited

U.S. PATENT DOCUMENTS

7,850,384 B2 12/2010 Sacks
D634,497 S 3/2011 Robertson et al.
D639,661 S 6/2011 Llerena
D644,123 S 8/2011 Blau
7,992,258 B1 8/2011 Stitser
8,069,520 B2 12/2011 Mattucci
8,079,770 B2 12/2011 Widmer
8,096,723 B2 1/2012 Bae
8,109,685 B1 2/2012 Vito
8,162,194 B2 4/2012 Gleason
D659,543 S * 5/2012 Campbell D9/542
D660,533 S 5/2012 Hill
D660,667 S 5/2012 Miyazaki
D661,036 S 5/2012 Raven
8,186,898 B2 5/2012 Bradbury
D661,442 S 6/2012 Kandasamy
8,205,293 B2 6/2012 Rosenzweig
8,241,427 B1 8/2012 Crawford et al.
8,267,607 B2 9/2012 Harris
8,375,499 B1 2/2013 Marino
D680,701 S 4/2013 Carlson
8,425,137 B1 4/2013 Sampaio
8,449,212 B2 5/2013 Crawford
D694,483 S 11/2013 Hines
8,596,896 B2 12/2013 Kimura
D699,412 S 2/2014 Smith
D700,067 S 2/2014 Murray
8,641,309 B2 2/2014 Perry
8,662,778 B2 3/2014 Crawford
8,667,637 B2 3/2014 Vrdoljak
8,672,203 B2 3/2014 Staudecker
8,807,858 B2 8/2014 Fitzpatrick
8,834,053 B2 9/2014 Van Ledingham, Jr.
8,844,088 B2 9/2014 Garcia Castillo
D716,151 S 10/2014 Bell
D718,011 S 11/2014 Lentine
8,894,315 B2 11/2014 Dingert
8,926,210 B2 1/2015 Orubor
8,927,480 B2 1/2015 Williams
D722,857 S 2/2015 Huang
D724,954 S 3/2015 Niggemyer
8,973,200 B2 3/2015 Mallett
D731,244 S 6/2015 Kohl
9,044,132 B2 6/2015 Kaminer
D738,223 S 9/2015 Chan
D739,484 S 9/2015 Kaye
9,131,824 B2 9/2015 Crawford
D741,655 S 10/2015 Whelan et al.
D742,609 S 11/2015 Irwin
D746,009 S 12/2015 Berti
D747,054 S 1/2016 Seifts et al.
D764,129 S 8/2016 Kindler
9,420,933 B2 8/2016 Kellis
D769,129 S 10/2016 Patterson et al.
D770,848 S 11/2016 Wilson et al.
D775,893 S 1/2017 Buckley et al.
D784,085 S 4/2017 Langston
D790,279 S 6/2017 Izen
D792,044 S 7/2017 Harrington
D794,890 S 8/2017 Hoyle
D795,694 S 8/2017 Yefremow
9,743,819 B2 8/2017 Davidshofer
9,795,268 B2 10/2017 Hoyle
D806,338 S 12/2017 Metzel et al.
10,246,228 B2 4/2019 Meyers et al.
D851,492 S * 6/2019 Phillips D9/563
10,406,548 B2 9/2019 Fujiwara et al.
10,414,549 B2 9/2019 Hirst et al.
2002/0144369 A1 10/2002 Biggs
2002/0174641 A1 11/2002 Biggs
2003/0000036 A1 1/2003 Fan
2003/0052204 A1 3/2003 Aberegg
2003/0089383 A1 5/2003 Biggs
2003/0103795 A1 6/2003 Hollars et al.
2003/0126710 A1 7/2003 Policicchio

2003/0150478 A1 8/2003 Biggs
2003/0200631 A1 10/2003 Clarke
2004/0046628 A1 3/2004 Hofte et al.
2004/0047670 A1 3/2004 Martin
2004/0055099 A1 3/2004 Greenberg
2004/0071490 A1 4/2004 Vosbikian
2004/0134016 A1 7/2004 Kisela
2004/0134955 A1 7/2004 Williams
2004/0141797 A1 7/2004 Garabedian
2004/0141798 A1 7/2004 Garabedian et al.
2004/0146333 A1 7/2004 Fu
2004/0173656 A1 9/2004 Seong
2004/0178224 A1 9/2004 Fahy et al.
2004/0223803 A1 11/2004 Fahy
2005/0031404 A1 2/2005 Tsai
2005/0050689 A1 3/2005 Biggs
2005/0058500 A1 3/2005 Hall et al.
2005/0089360 A1 4/2005 Garabedian, Jr.
2005/0095053 A1 5/2005 Harris
2005/0191116 A1 9/2005 Flanery
2005/0205634 A1 9/2005 Han
2005/0251943 A1 11/2005 Van Ledingham
2005/0274766 A1 12/2005 Cheng
2006/0008317 A1 1/2006 Livingstone
2006/0039743 A1 2/2006 Mensink
2006/0110207 A1 5/2006 Augustinus et al.
2006/0151558 A1 7/2006 Higgins
2006/0200924 A1 9/2006 Hampton
2006/0207042 A1 9/2006 Di Paolo
2006/0213017 A1 9/2006 Bele
2006/0222441 A1 10/2006 Tanaka et al.
2006/0280546 A1 12/2006 Dyer
2007/0020040 A1 1/2007 Sacks
2007/0140774 A1 6/2007 Dyer
2007/0231046 A1 10/2007 Whiffen
2008/0038045 A1 2/2008 Hofte et al.
2008/0107471 A1 5/2008 Fitzpatrick et al.
2010/0116861 A1 5/2010 Burrowes
2011/0064513 A1 3/2011 Van Ledingham
2011/0158740 A1 6/2011 Kandasamy
2011/0247157 A1 10/2011 Caillou
2011/0309124 A1 12/2011 Dubois
2012/0227763 A1 9/2012 Hayes
2012/0255138 A1 10/2012 Dingert
2012/0304408 A1 12/2012 Crawford et al.
2013/0056467 A1 3/2013 Shepard et al.
2013/0263396 A1 10/2013 Crawford
2013/0263398 A1 10/2013 Irwin et al.
2013/0291893 A1 11/2013 Stokes
2014/0317868 A1 10/2014 Fitzpatrick
2015/0082570 A1 3/2015 Davidshofer
2015/0101140 A1 4/2015 Pierce
2016/0001442 A1 1/2016 Buzby
2016/0198925 A1 7/2016 Hoyle
2016/0345793 A1 12/2016 Hansen
2017/0049292 A1 2/2017 Harrington et al.
2017/0157762 A1 6/2017 Monahan et al.
2017/0296024 A1 10/2017 Zhu
2019/0001480 A1 1/2019 Harrington et al.
2019/0160480 A1 5/2019 Lee

FOREIGN PATENT DOCUMENTS

CN 3544694 A1 7/2006
CN 303214007 A1 5/2015
CN 110090750 A 8/2019
CN 110116064 A 8/2019
CN 107297295 B 10/2019
CN 209492872 U 10/2019
CN 209522097 U 10/2019
EP 1761155 B1 3/2007
EP 2704848 B1 3/2014
JP D1545354 A1 3/2016
JP 06509439 B2 5/2019
JP 06550302 B2 7/2019
JP 06552287 B2 7/2019
KR 3004899850000 A1 5/2008
KR 3006913060000 A1 5/2013
WO WO199823385 A1 6/1998

(56)

References Cited

FOREIGN PATENT DOCUMENTS

WO	2006002655	A1	1/2006
WO	D098967005	A1	12/2017
WO	D098967006	A1	12/2017
WO	2018034731	A1	2/2018
WO	2019098834	A1	5/2019
WO	2019175016	A1	9/2019

* cited by examiner

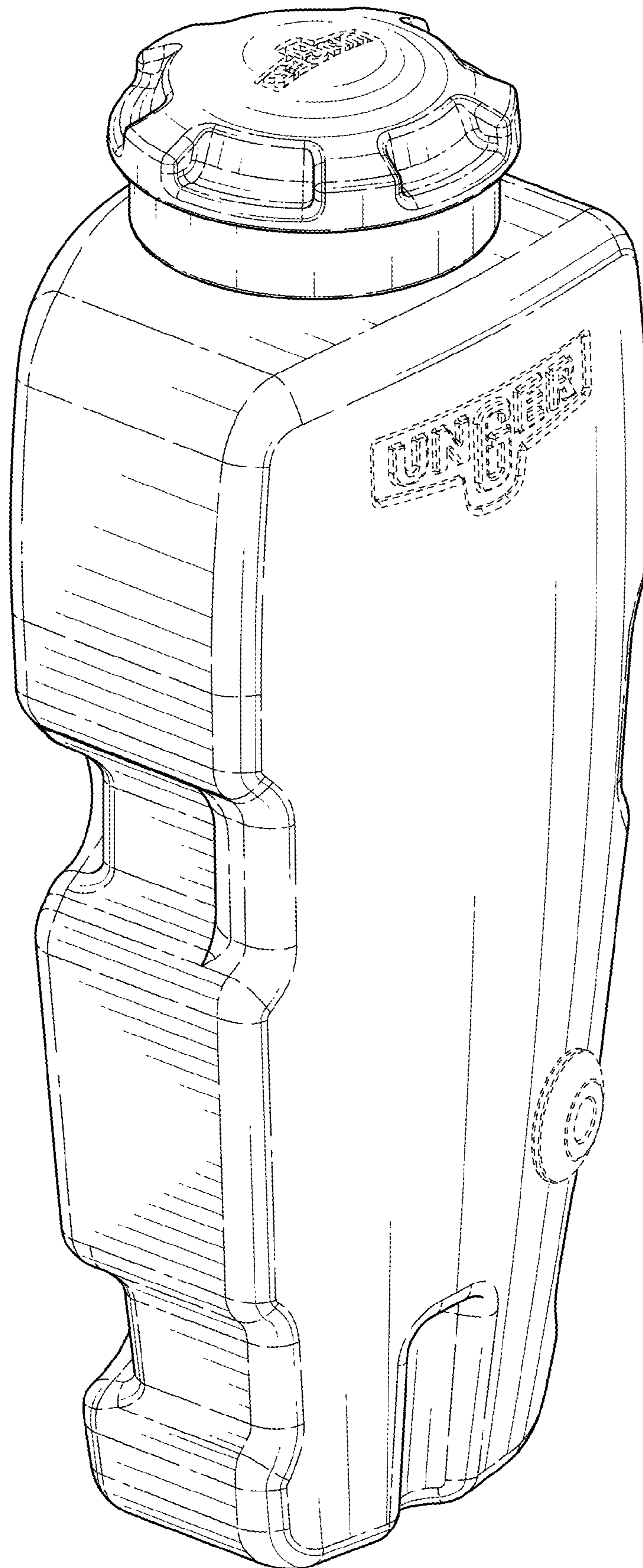


FIG. 1

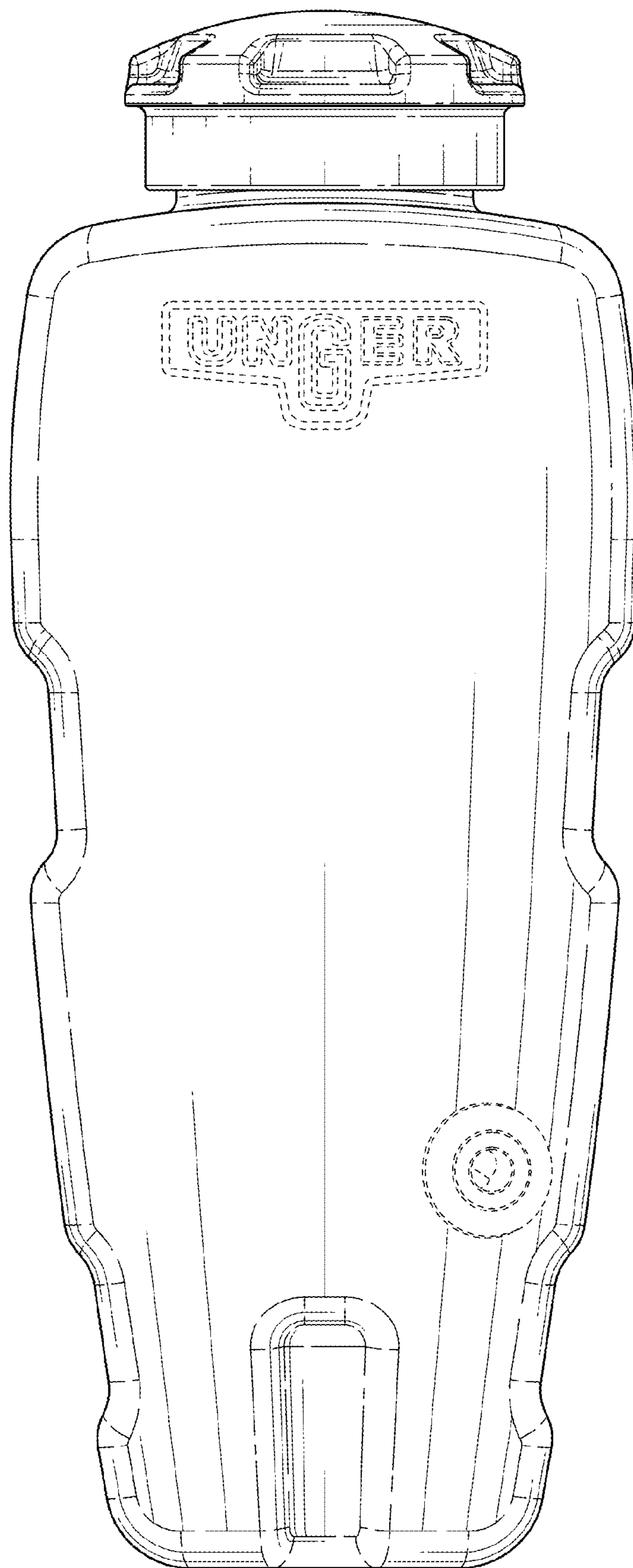


FIG. 2

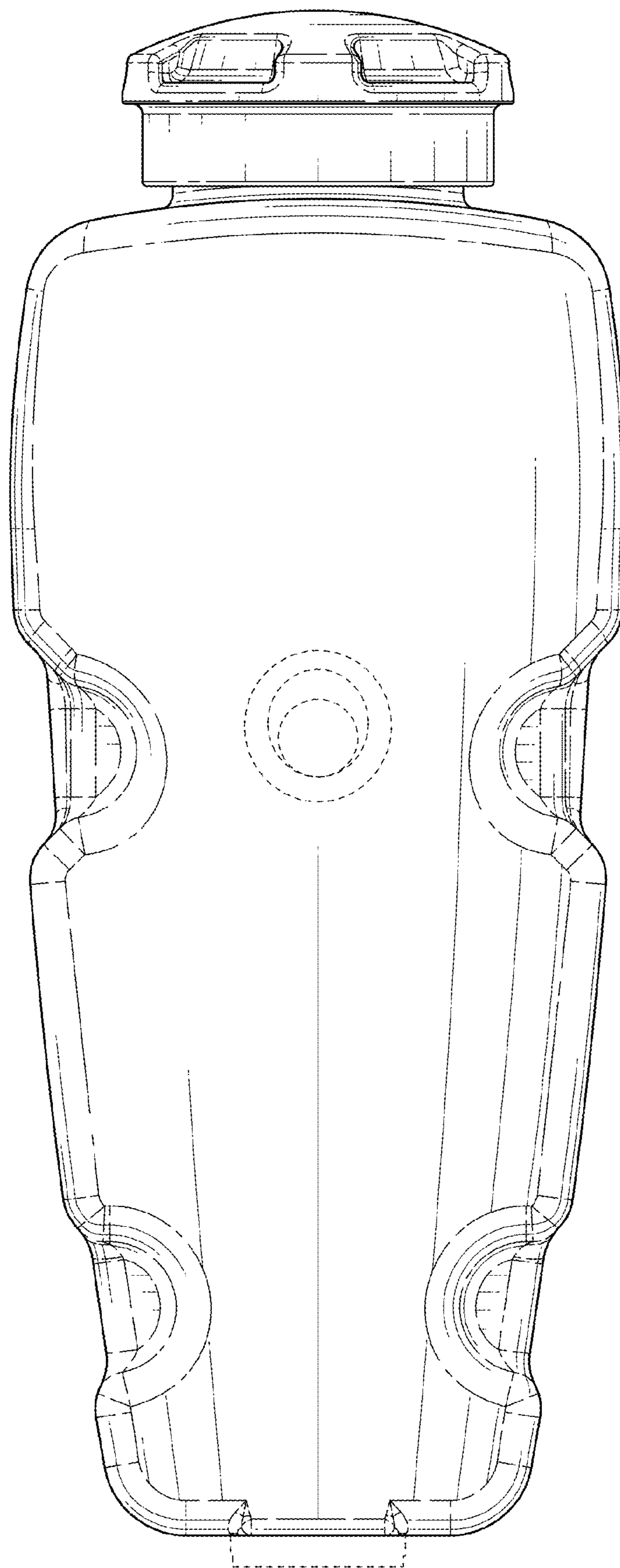


FIG. 3

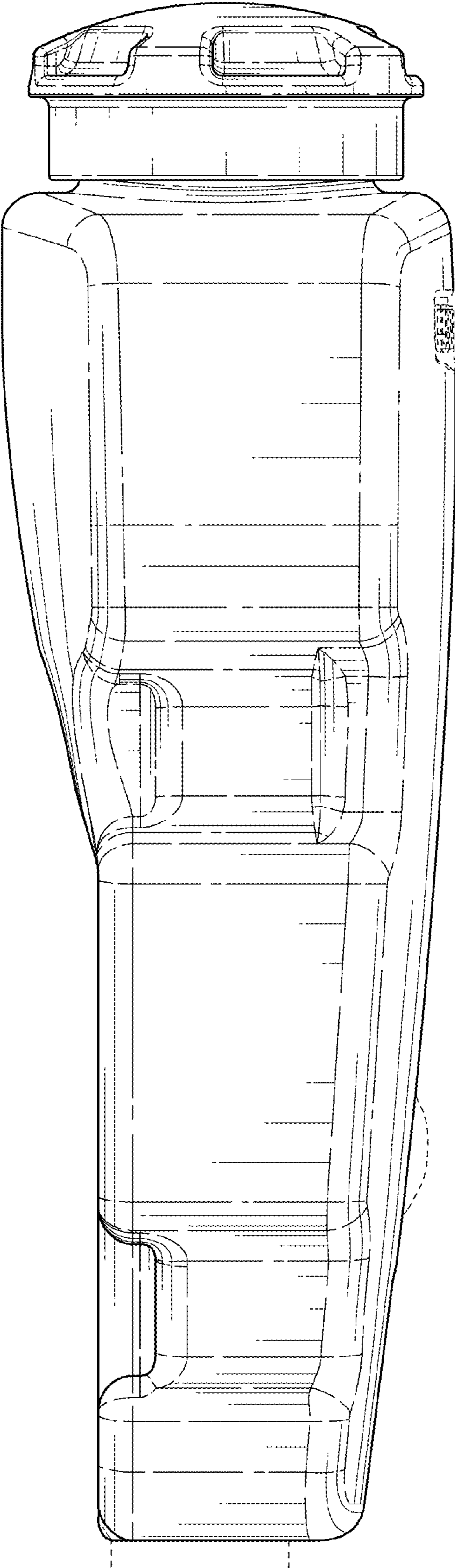


FIG. 4

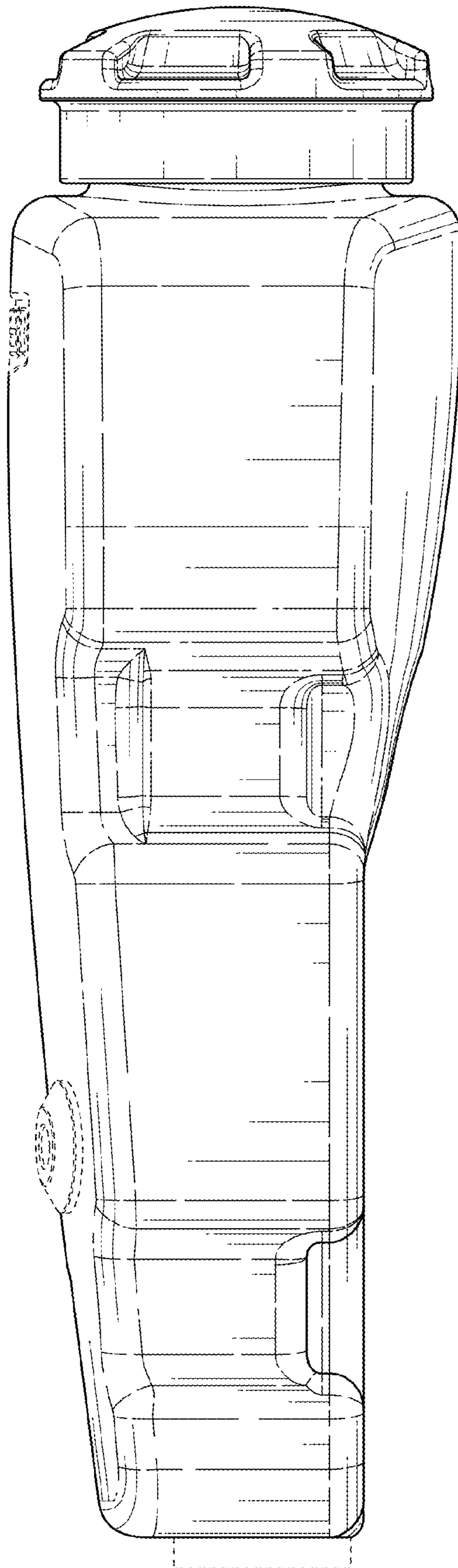


FIG. 5

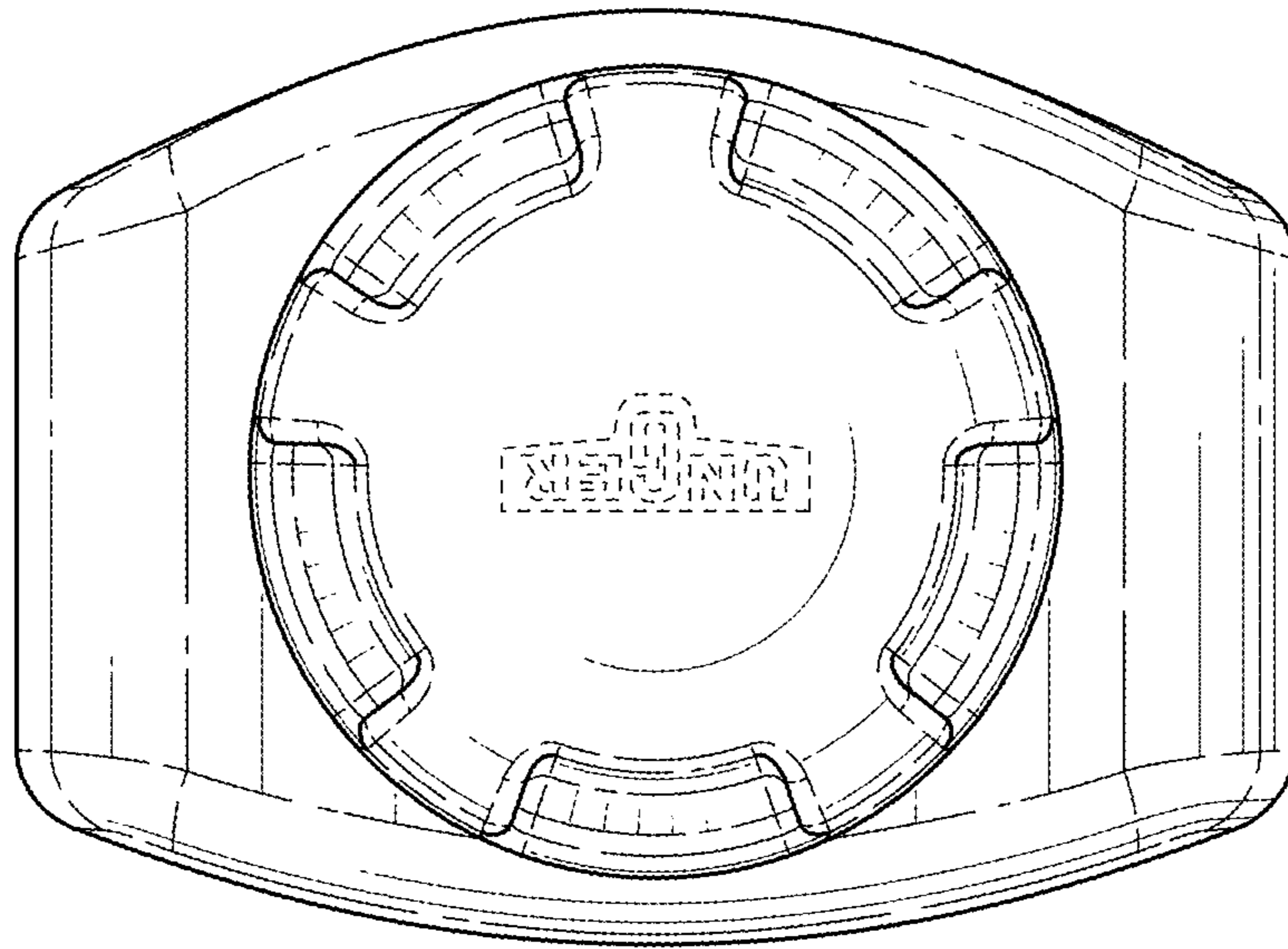


FIG. 6

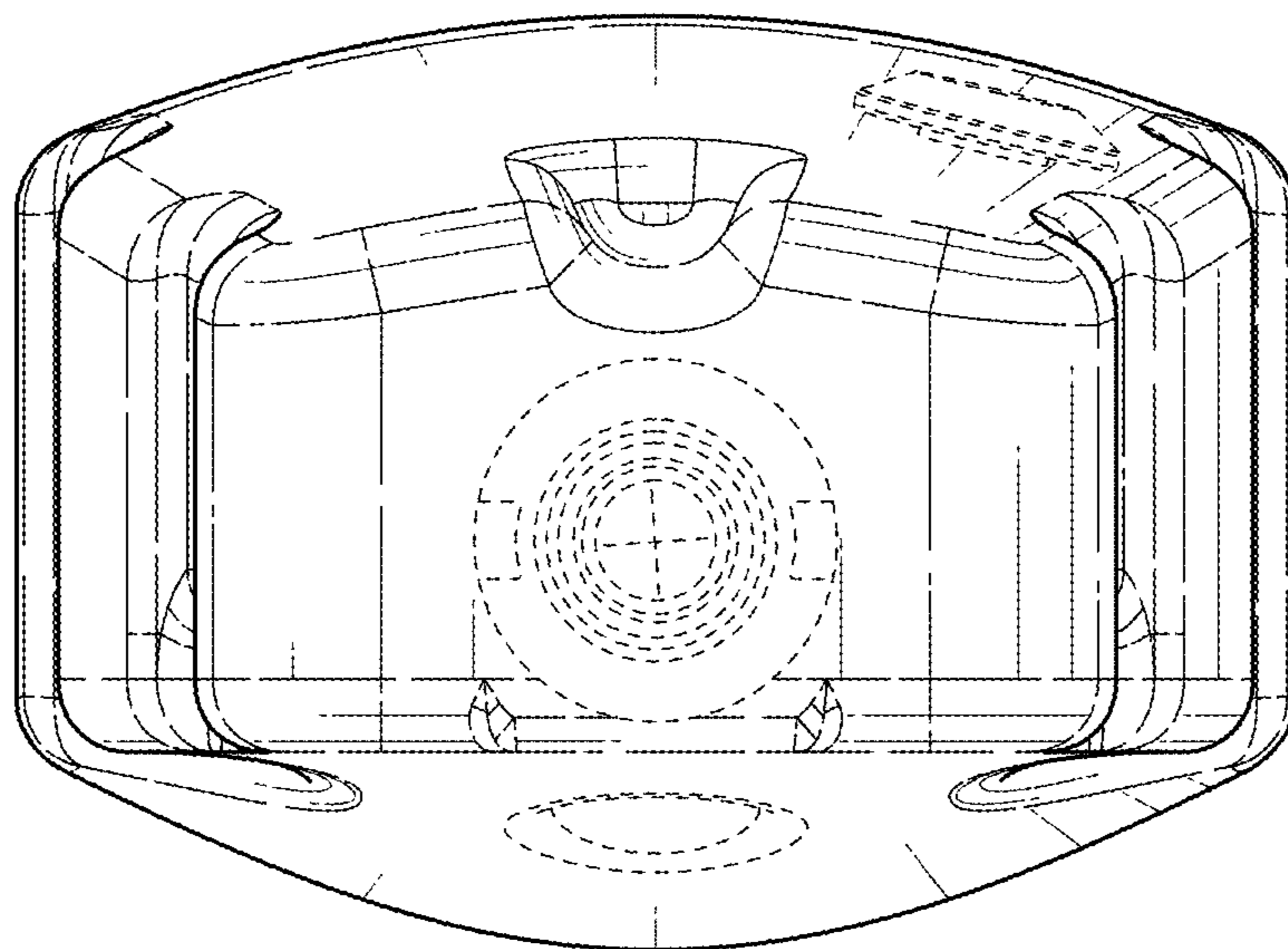


FIG. 7

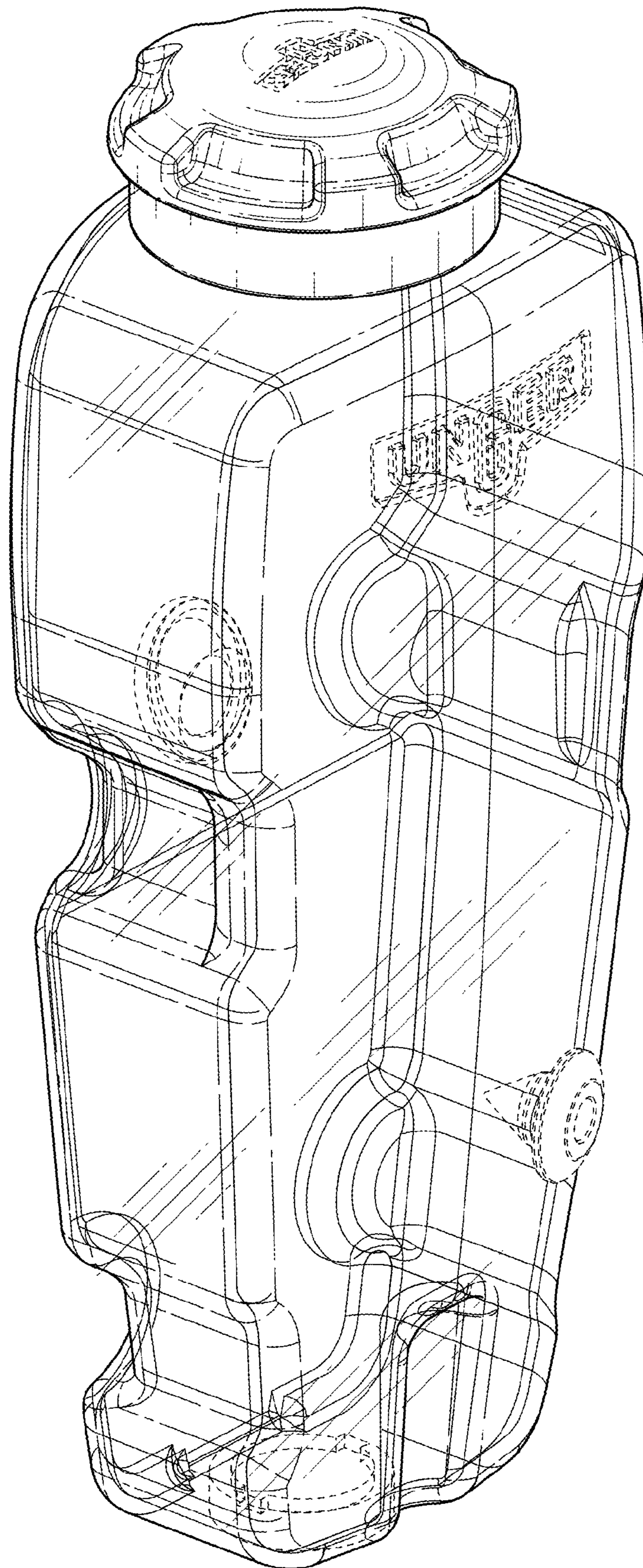


FIG. 8

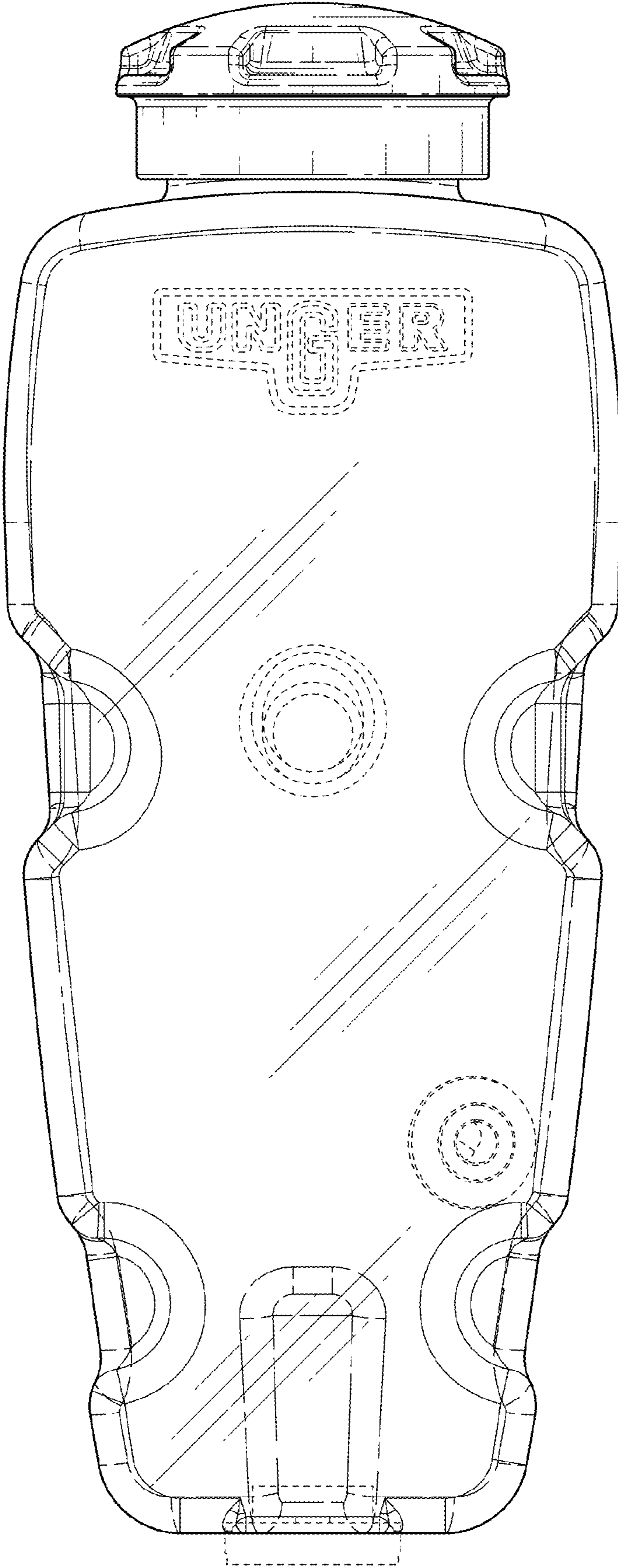


FIG. 9

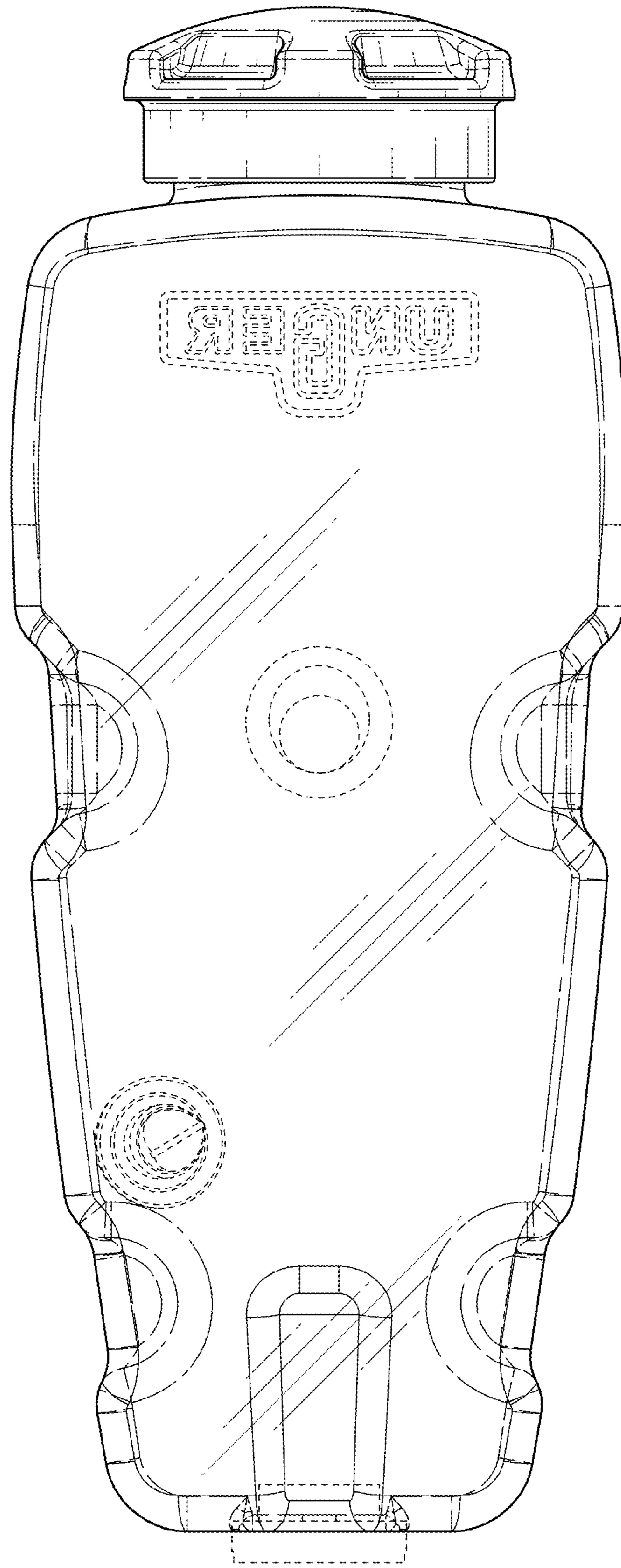


FIG. 10

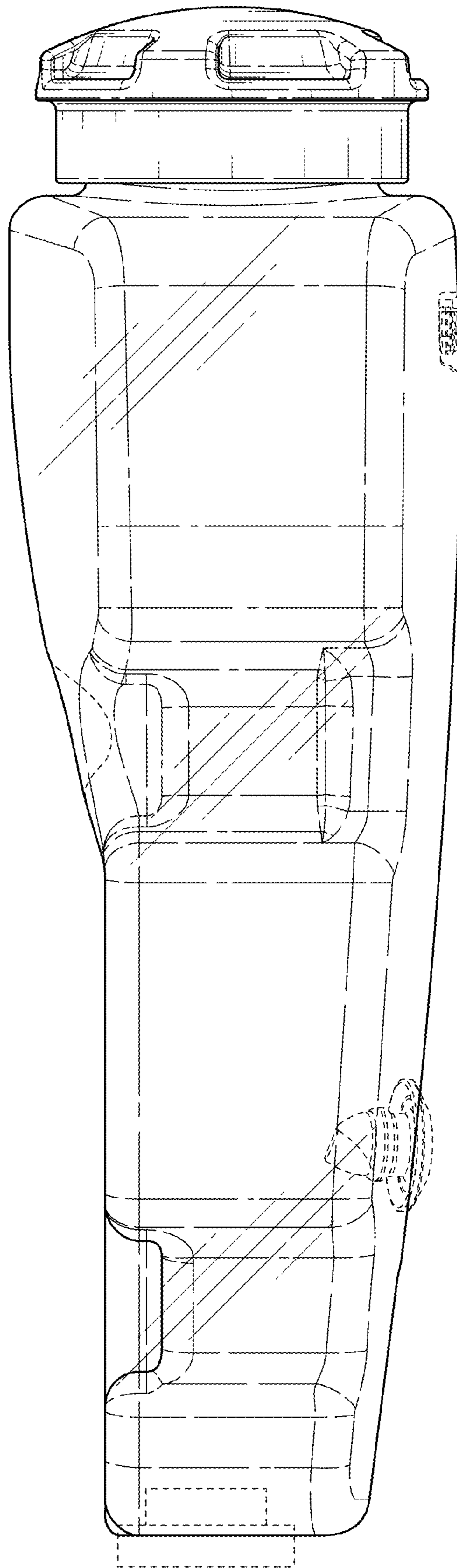


FIG. 11

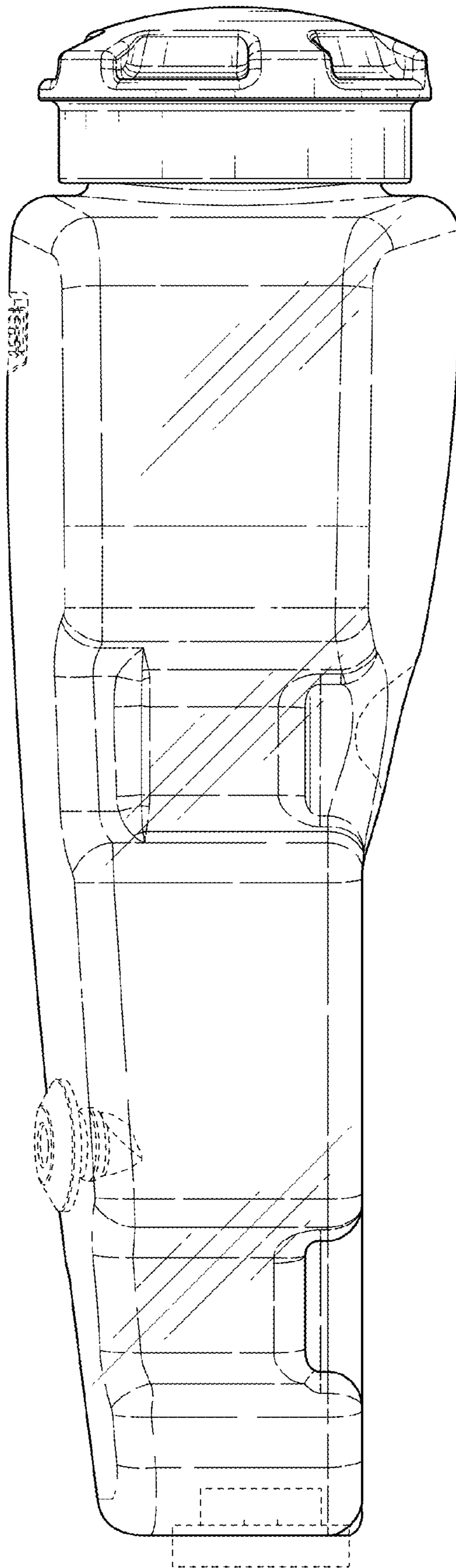


FIG. 12

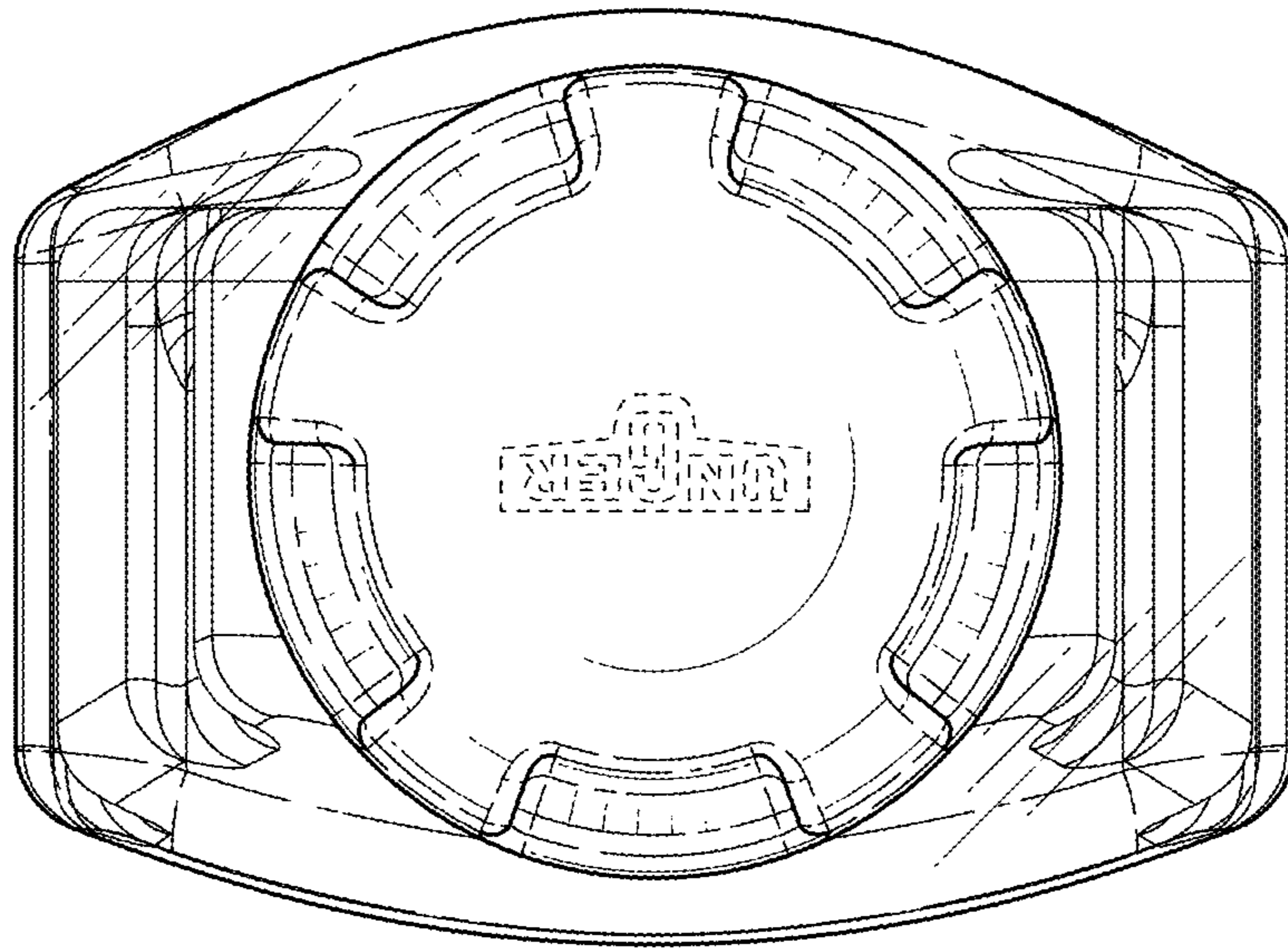


FIG. 13

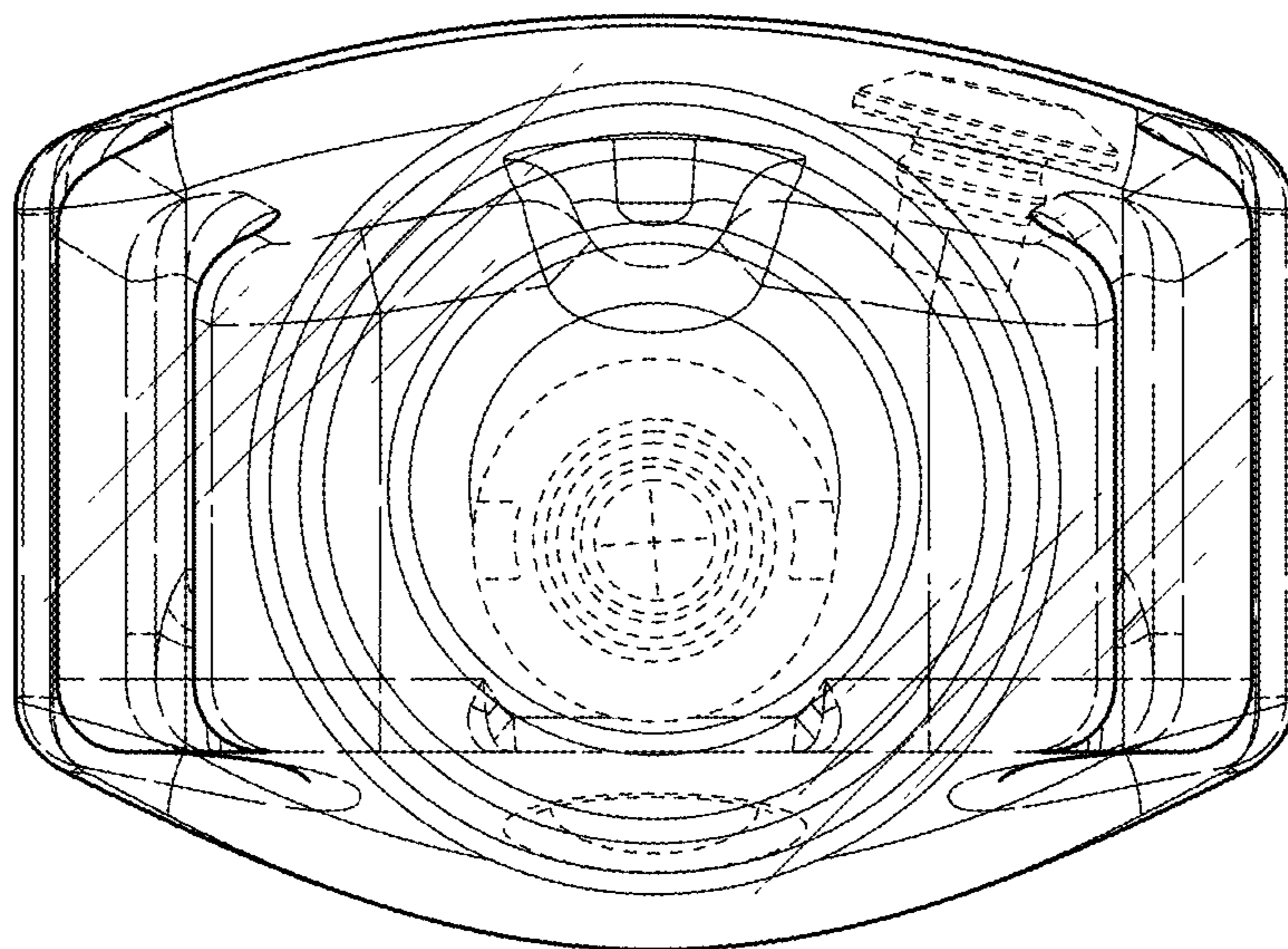


FIG. 14