



US00D911839S

(12) **United States Design Patent** (10) **Patent No.:** **US D911,839 S**
Bodet et al. (45) **Date of Patent:** **** Mar. 2, 2021**

(54) **DIFFUSER**
(71) Applicant: **LINDAL FRANCE SAS**, Val-de-Briey (FR)
(72) Inventors: **Hervé Bodet**, Verdun (FR); **Eric Gaillard**, Dieue-sur-Meuse (FR)
(73) Assignee: **LINDAL FRANCE SAS**, Val-de-Briey (FR)
(**) Term: **15 Years**
(21) Appl. No.: **29/707,143**
(22) Filed: **Sep. 26, 2019**

D536,969 S * 2/2007 Geier D9/448
D537,715 S * 3/2007 Downey D9/448
D575,153 S * 8/2008 Caroen D9/448
D581,270 S * 11/2008 Gonzalez D9/448
D627,638 S * 11/2010 Bodet D9/448
D659,535 S * 5/2012 Gidlow D9/448
D665,669 S * 8/2012 Folli D9/448
D680,432 S * 4/2013 Geier D9/448
D718,625 S * 12/2014 Trevisan D9/448
D743,790 S * 11/2015 Hussain D9/447
D750,491 S * 3/2016 Campbell D9/448
D750,492 S * 3/2016 Campbell D9/448
D798,715 S * 10/2017 Sims D9/448
D878,918 S * 3/2020 Furner D9/448
2007/0241134 A1 * 10/2007 Gurrisi B65D 83/384
222/153.11
2008/0164285 A1 * 7/2008 Hygema B65D 83/205
222/153.11

(Continued)

(30) **Foreign Application Priority Data**

Mar. 27, 2019 (WO) WIPO82016

(51) **LOC (13) Cl.** **09-07**
(52) **U.S. Cl.**
USPC **D9/448**

(58) **Field of Classification Search**
USPC D9/414, 424, 425, 428, 432, 434, 435,
D9/436, 439, 440, 443-450, 452-457,
D9/499, 503, 682, 685, 686; D7/387,
D7/391, 392, 392.1, 396.2, 510, 511, 538,
D7/900; D3/202, 203.2; D28/91, 91.1
CPC .. A61J 1/00; A61J 1/1412; B65D 1/00; B65D
1/02; B65D 1/10; B65D 1/46; B65D
5/46; B65D 41/00; B65D 41/38; B65D
41/56; B65D 41/62; B65D 47/00; B65D
47/06; B65D 47/08; B65D 2251/00;
B65D 2543/00046; B65D 2543/00092;
B65D 2543/00296

See application file for complete search history.

(56) **References Cited**

U.S. PATENT DOCUMENTS

D462,009 S * 8/2002 Poisson D9/448
D478,285 S * 8/2003 Pannozzo D9/448

OTHER PUBLICATIONS

Diffuser, "Vaseline", Unilever (date unspecified).

(Continued)

Primary Examiner — Wendy L Arminio

(74) *Attorney, Agent, or Firm* — Seckel IP, PLLC

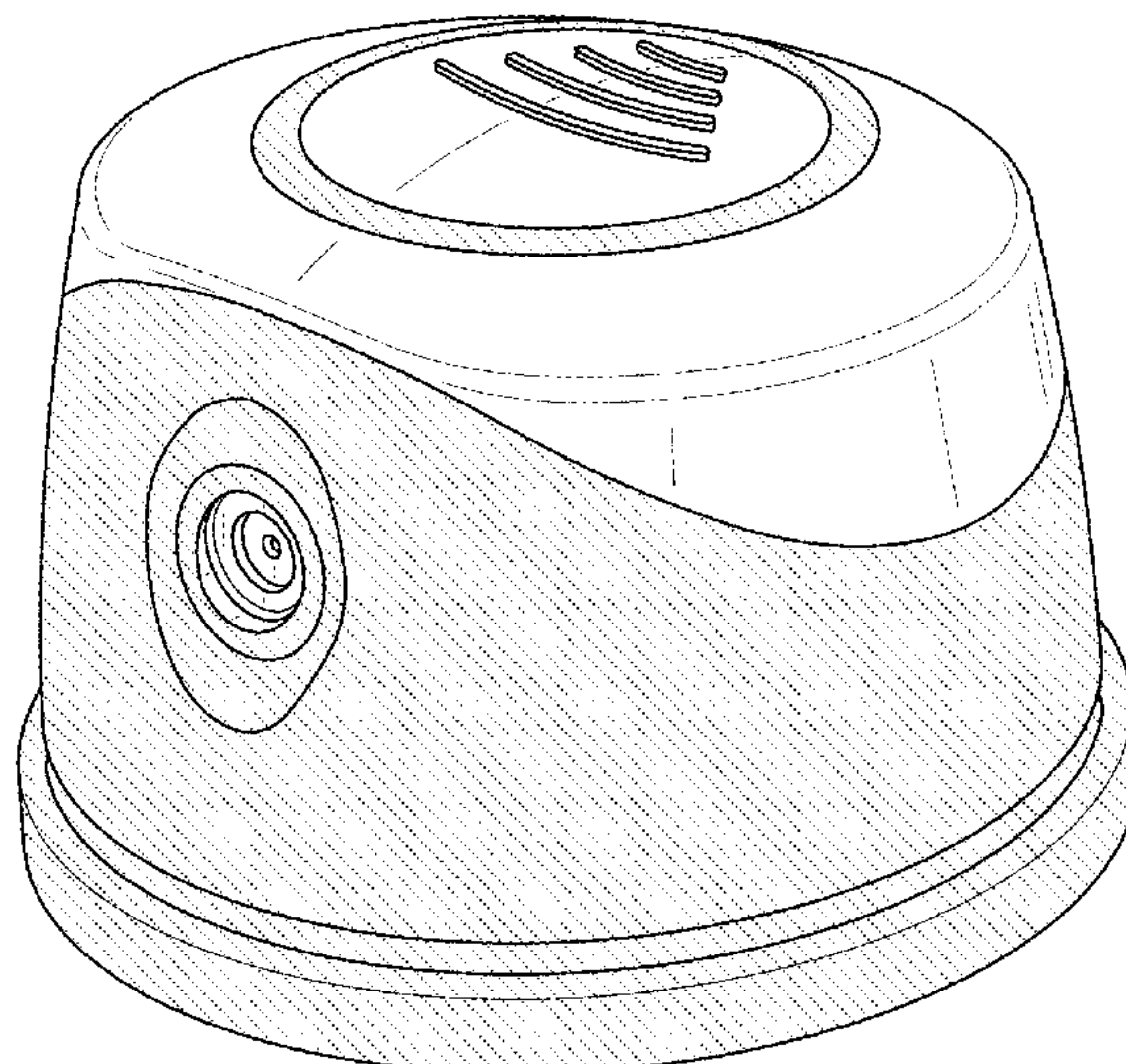
(57) **CLAIM**

The ornamental design for a diffuser, as shown and described.

DESCRIPTION

FIG. 1 is a perspective front view of the diffuser
FIG. 2 is a left side view of the diffuser
FIG. 3 is a front view of the diffuser
FIG. 4 is a back view of the diffuser
FIG. 5 is top view of the diffuser; and,
FIG. 6 is a perspective rear view of the diffuser
The dot-dot stippled lines depict surface shading.

1 Claim, 6 Drawing Sheets



(56)

References Cited

U.S. PATENT DOCUMENTS

2014/0183228 A1* 7/2014 Decea B65D 83/205
222/153.11

OTHER PUBLICATIONS

Diffuser, "Lady Speed Stick", Colgate Palmolive (date unspecified).
Diffuser, "Climacool", Adidas (date unspecified).

* cited by examiner

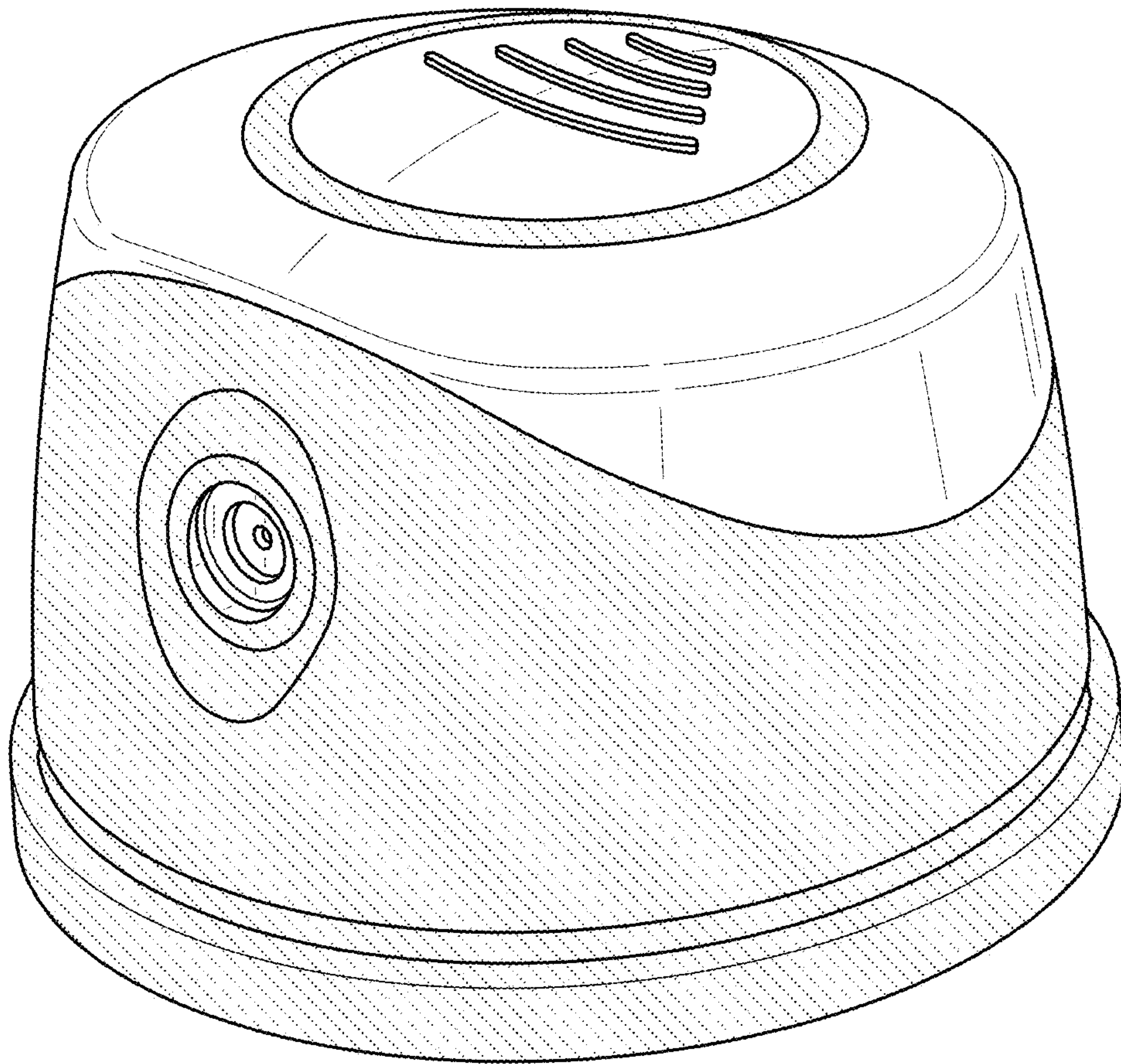


FIG. 1

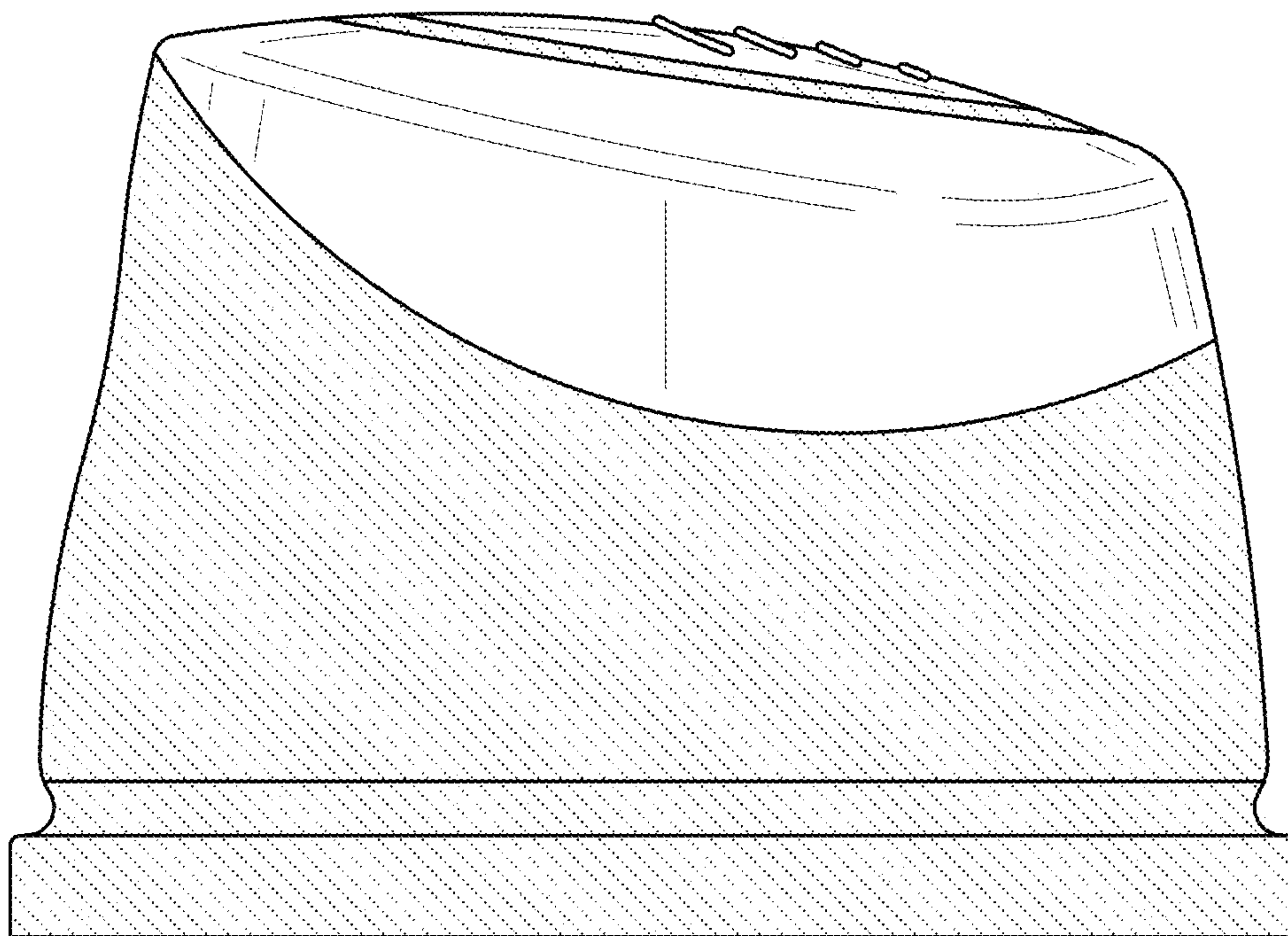


FIG. 2

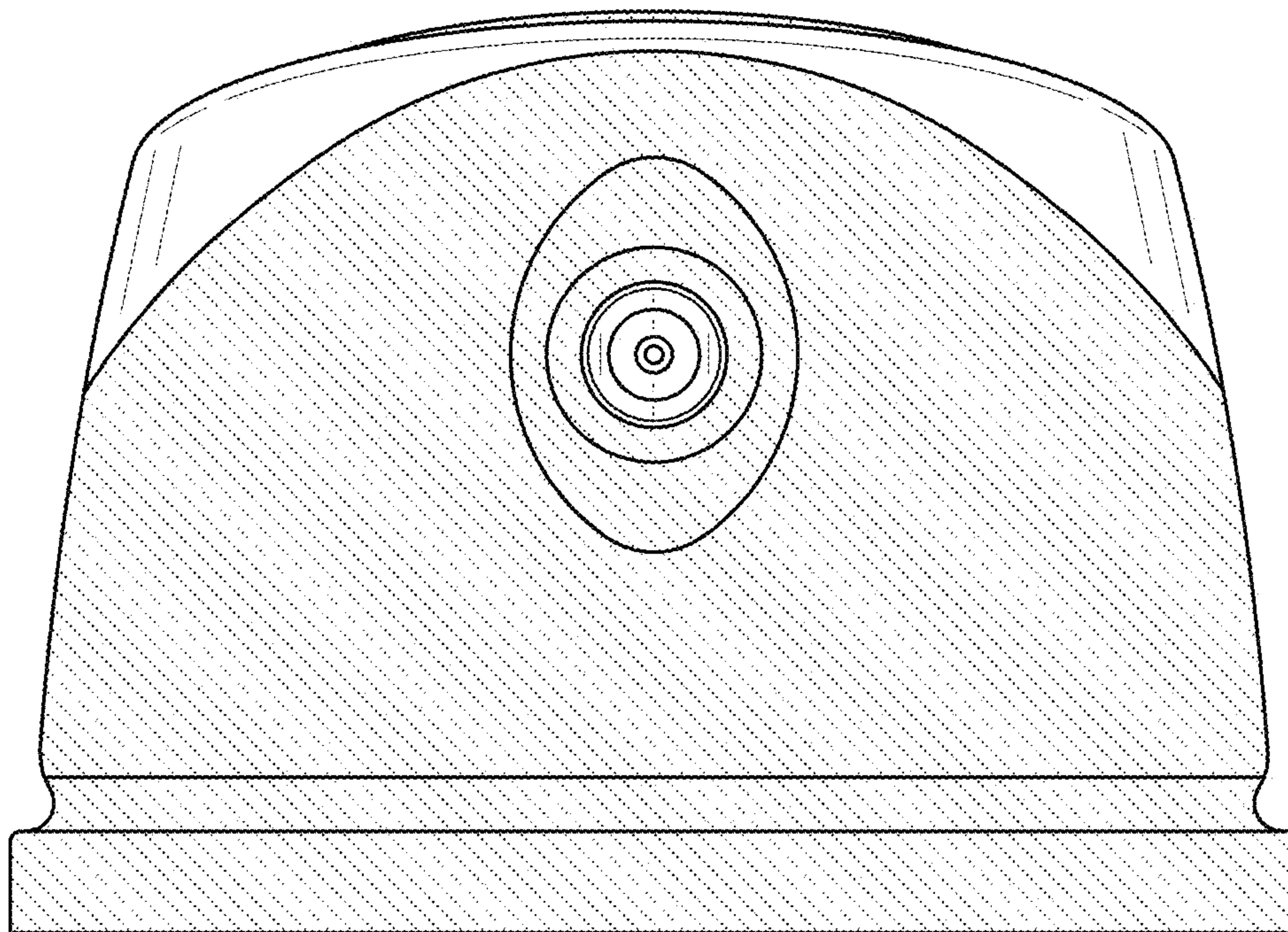


FIG. 3

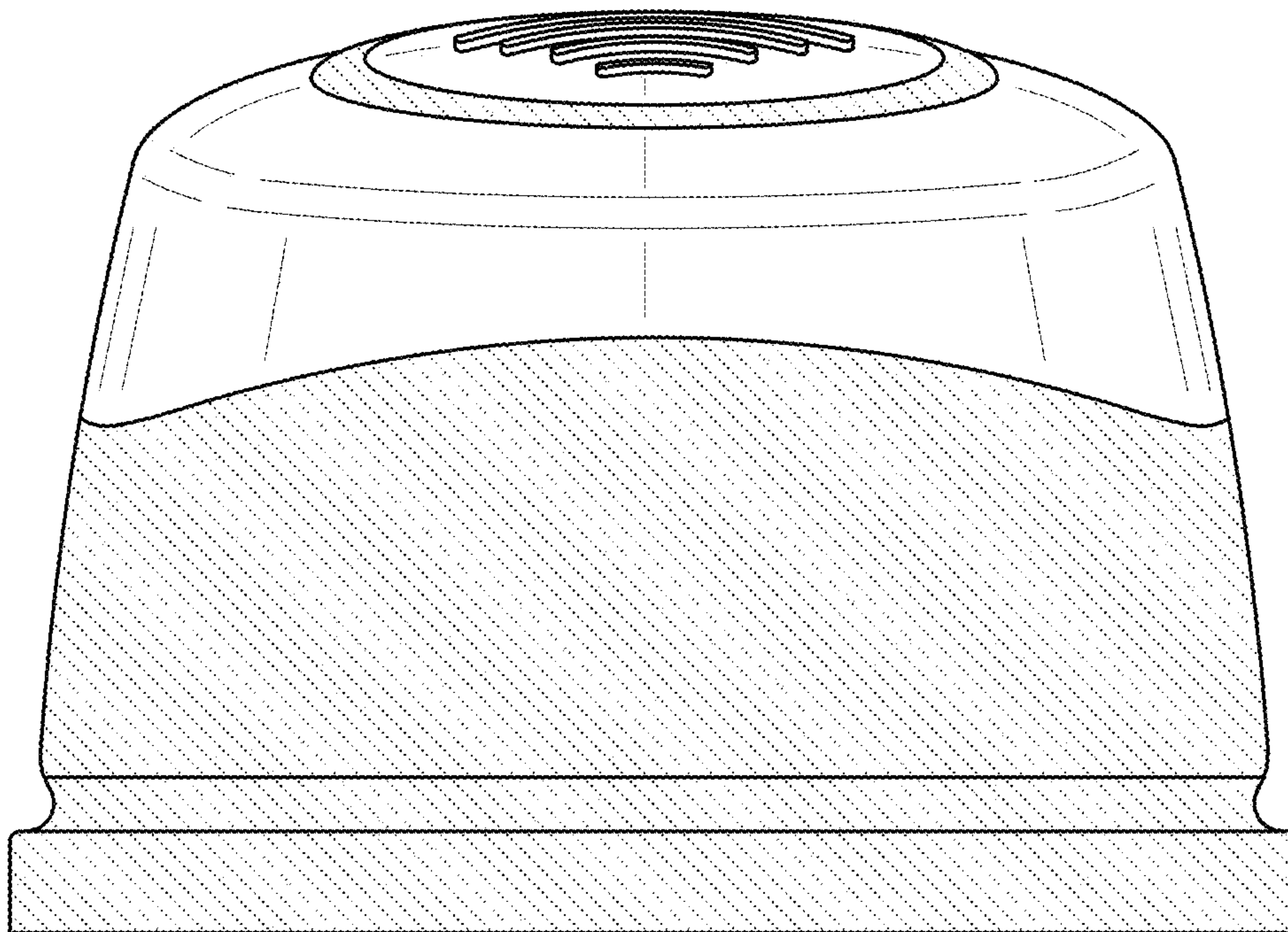


FIG. 4

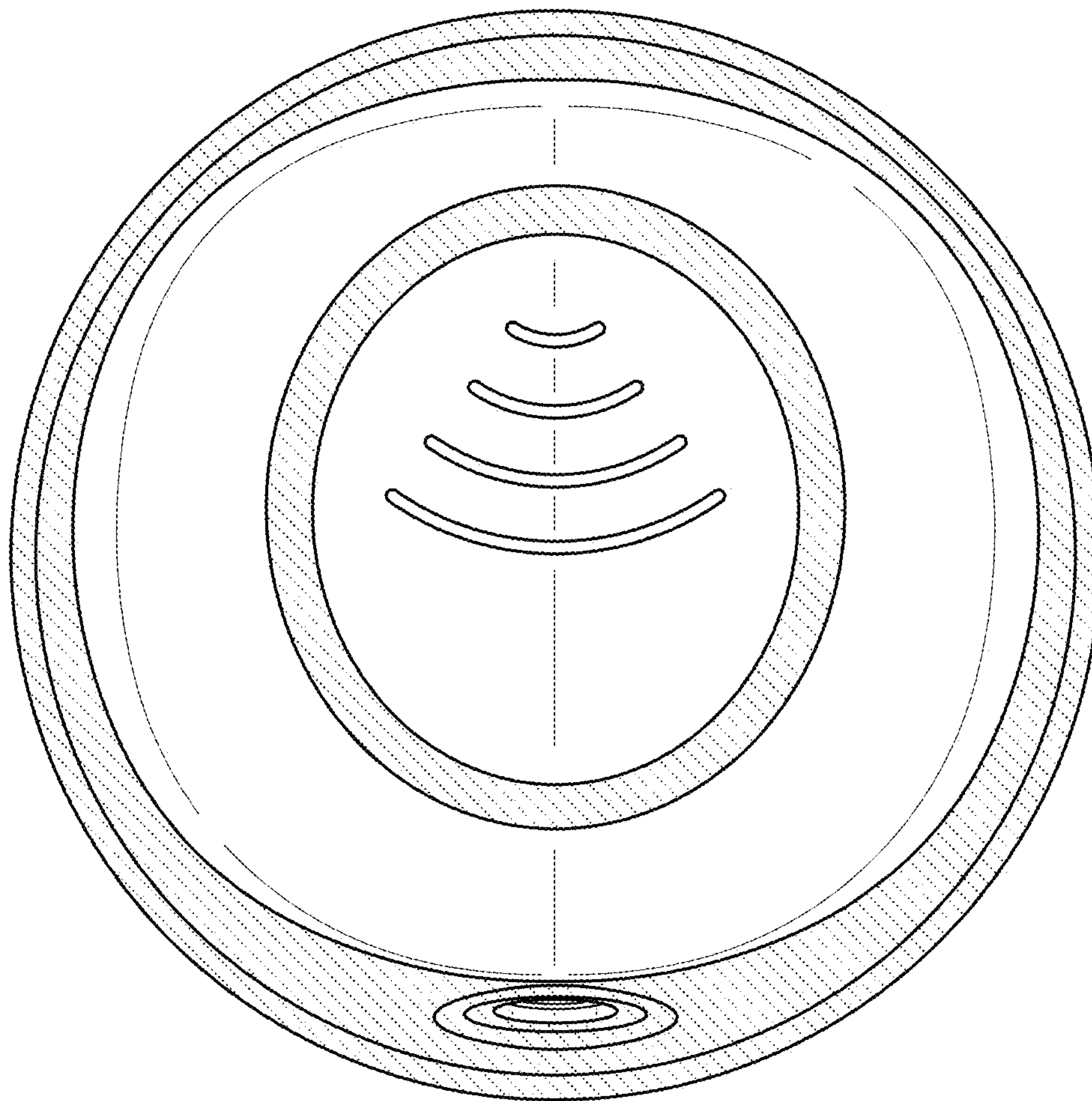


FIG. 5

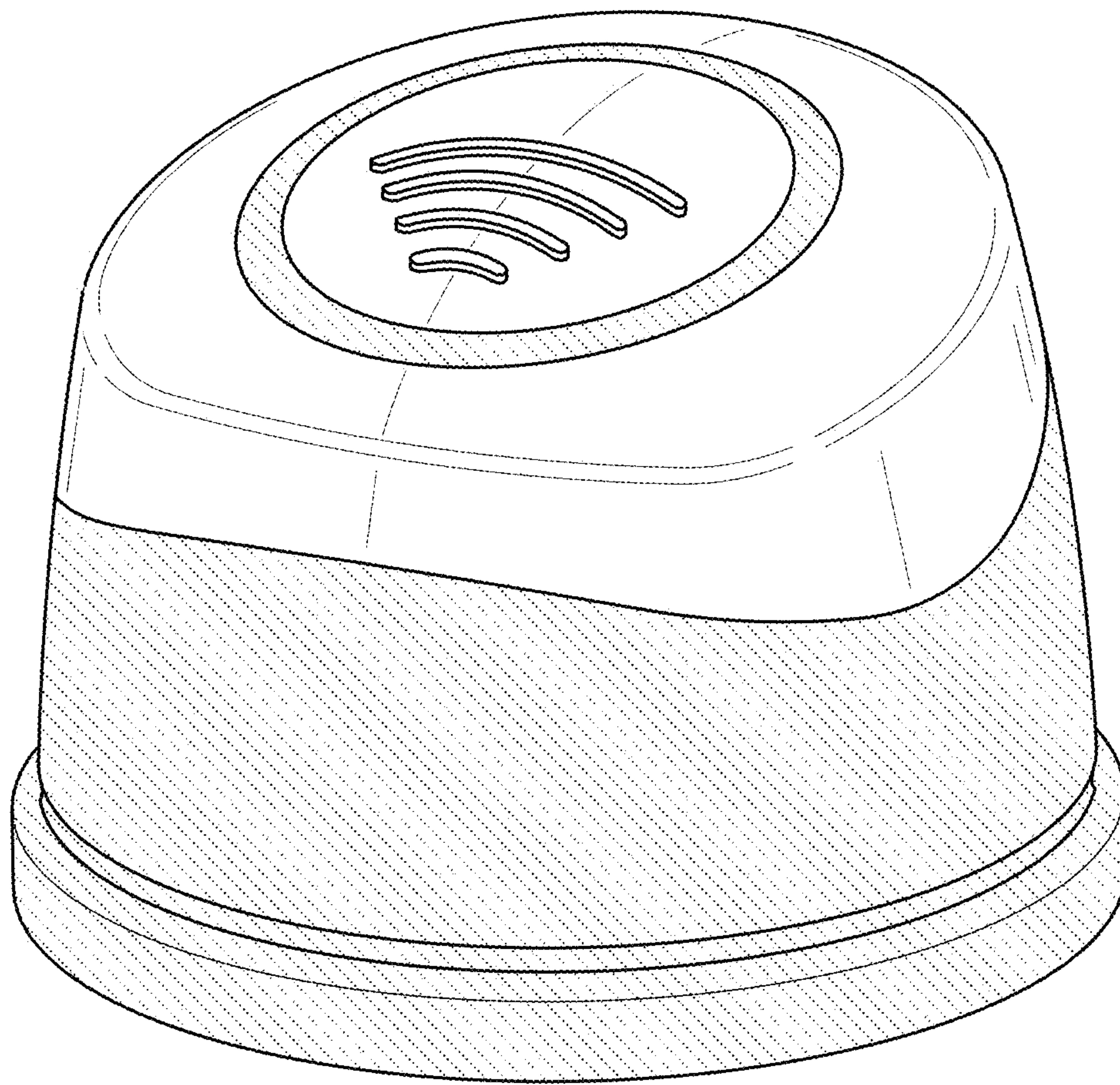


FIG. 6