



US00D911838S

(12) **United States Design Patent**  
**Dolos**

(10) **Patent No.:** **US D911,838 S**

(45) **Date of Patent:** **\*\* Mar. 2, 2021**

(54) **EYE DROPS SEAL CAP**

(71) Applicant: **Chasmite Dolos**, Las Vegas, NV (US)

(72) Inventor: **Chasmite Dolos**, Las Vegas, NV (US)

(\*\*) Term: **15 Years**

(21) Appl. No.: **29/689,889**

(22) Filed: **May 2, 2019**

(51) **LOC (13) Cl.** ..... **09-07**

(52) **U.S. Cl.**  
USPC ..... **D9/435**

(58) **Field of Classification Search**  
USPC ..... D9/414, 424, 425, 428, 432, 434, 435,  
D9/436, 439, 440, 443-450, 452-457,  
D9/499, 503, 516, 682, 685, 686, 702,  
D9/707-710; D7/387, 391, 392, 392.1,  
D7/396.2, 510, 511, 538, 900; D3/202,  
D3/203.2; D28/91, 91.1  
CPC .. A61J 1/00; A61J 1/1412; B65D 1/00; B65D  
1/02; B65D 1/10; B65D 1/46; B65D  
5/46; B65D 41/00; B65D 41/38; B65D  
41/56; B65D 41/62; B65D 47/00; B65D  
47/06; B65D 47/08; B65D 2251/00;  
B65D 2543/00046; B65D 2543/00092;  
B65D 2543/00296  
See application file for complete search history.

4,193,402 A \* 3/1980 Rumpler ..... B65D 51/241  
604/415

4,366,912 A \* 1/1983 Matukura ..... B65D 51/002  
215/247

4,572,390 A \* 2/1986 Grittmann ..... B65D 39/08  
217/106

D289,796 S \* 5/1987 Larkin ..... D9/439

D292,673 S \* 11/1987 Woodruff ..... D9/439

D299,488 S \* 1/1989 Okada ..... D9/503

D328,033 S \* 7/1992 DiGuseppi ..... D9/435

5,232,109 A \* 8/1993 Tirrell ..... B01L 3/50825  
215/247

D349,648 S \* 8/1994 Tirrell ..... D9/439

D422,357 S \* 4/2000 Niedospial, Jr. .... D24/118

D459,653 S \* 7/2002 Marks ..... D9/439

6,666,852 B2 \* 12/2003 Niedospial, Jr. .... A61J 1/2096  
604/414

D545,676 S \* 7/2007 Rica ..... D9/439

D666,495 S \* 9/2012 Biesecker ..... D9/445

D682,617 S \* 5/2013 Miksovsky ..... D7/512

D830,799 S \* 10/2018 Najera ..... D9/436

(Continued)

*Primary Examiner* — Wendy L Arminio  
(74) *Attorney, Agent, or Firm* — Jie Tan; JT Law  
Services, PC

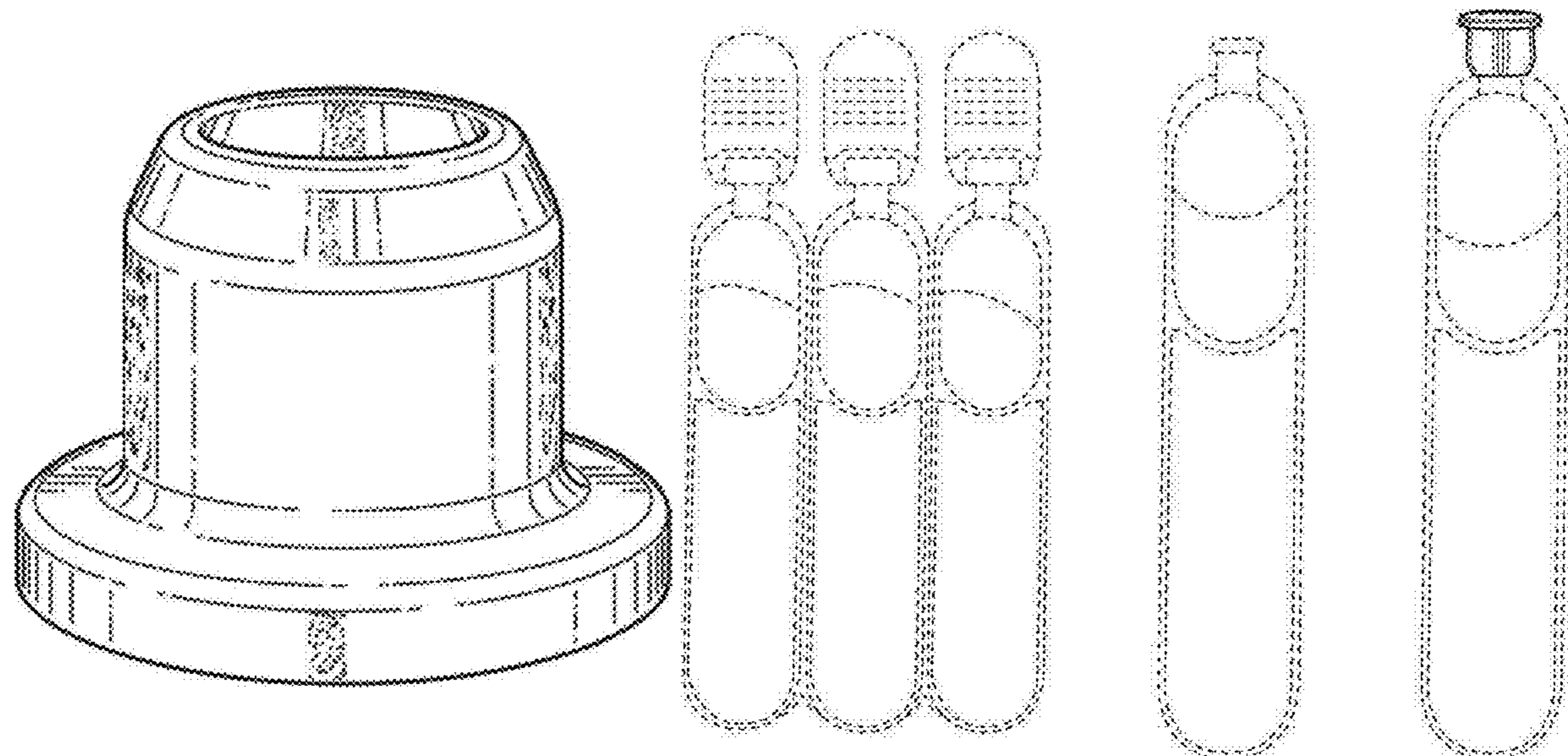
(57) **CLAIM**

The ornamental design for an eye drops seal cap, as shown and described.

**DESCRIPTION**

FIG. 1 is a perspective view of an eye drops seal cap;  
FIG. 2 is a side view thereof;  
FIG. 3 is a top plan view thereof;  
FIG. 4 is another perspective view thereof; and,  
FIG. 5 is a side view of the eye drops seal cap of FIG. 1  
shown in a position of use on an unclaimed eye-drops tube  
drawn in broken lines.  
The broken lines in FIG. 5 illustrating eye-drops tubes depict  
environment and form no part of the claimed design.

**1 Claim, 5 Drawing Sheets**



(56)

**References Cited**

U.S. PATENT DOCUMENTS

D845,126 S \* 4/2019 Prozumenshchikov ..... D9/439  
D860,787 S \* 9/2019 Krokonko ..... D9/435

\* cited by examiner

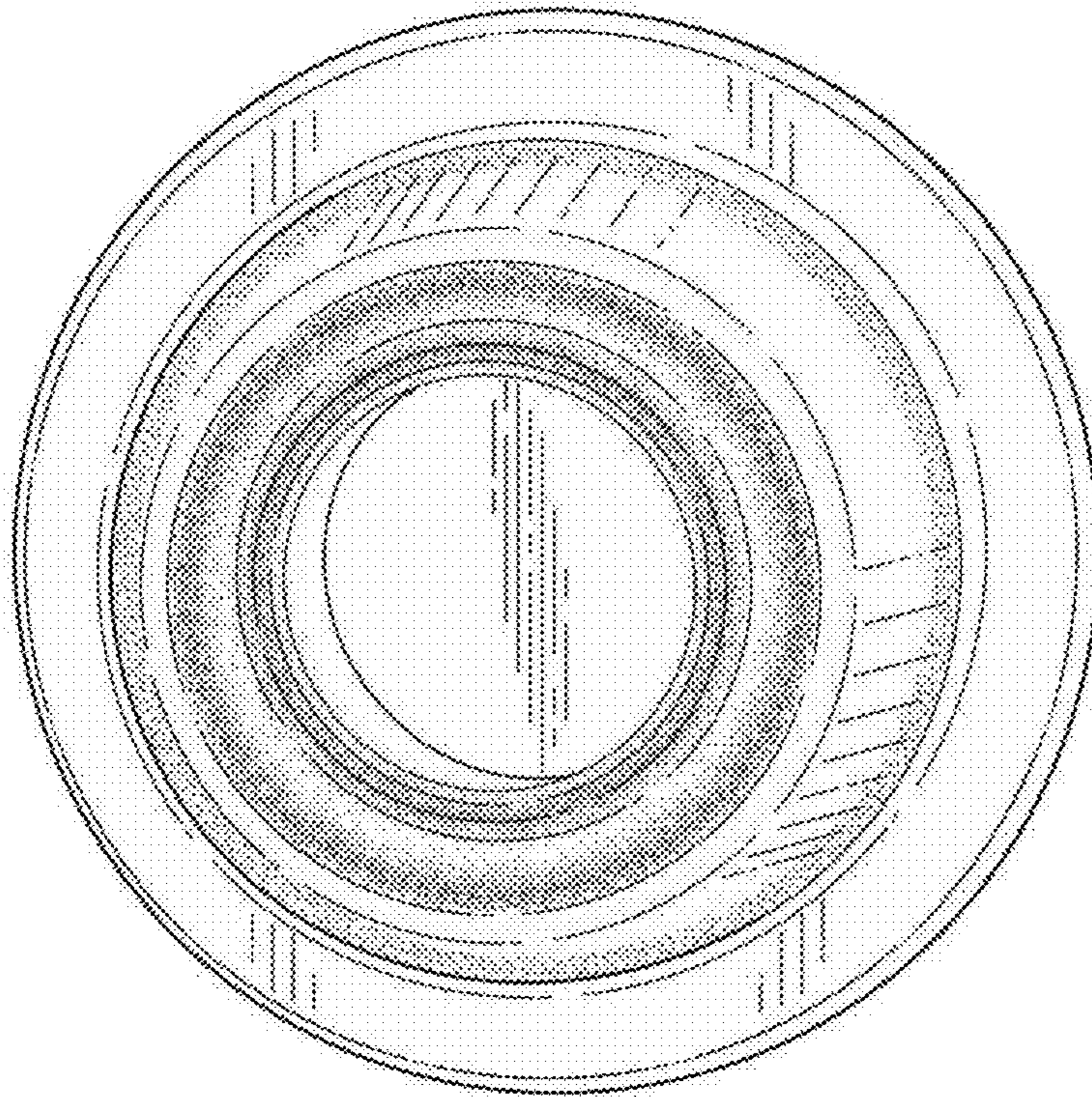


FIG. 1

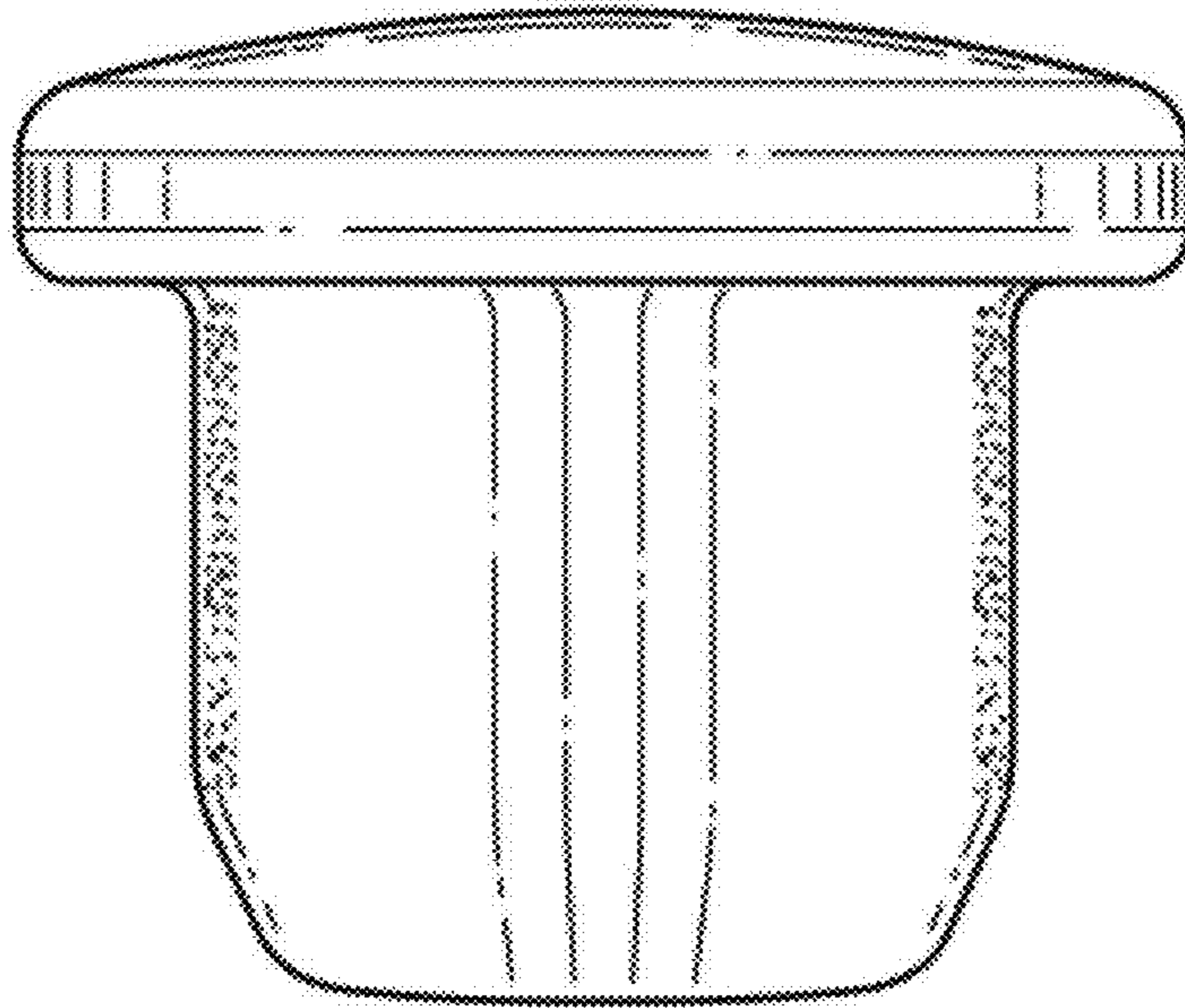


FIG. 2

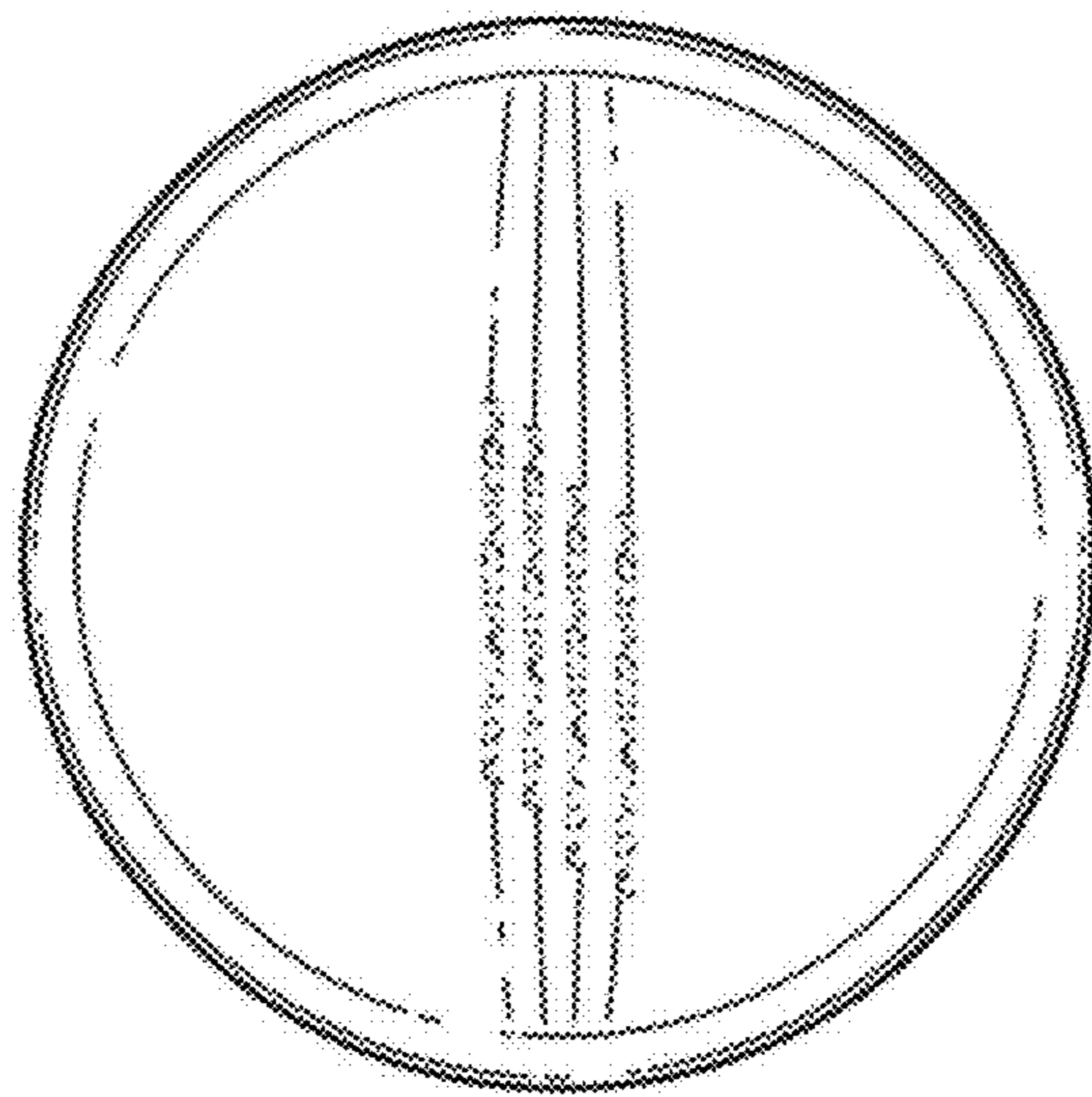


FIG. 3

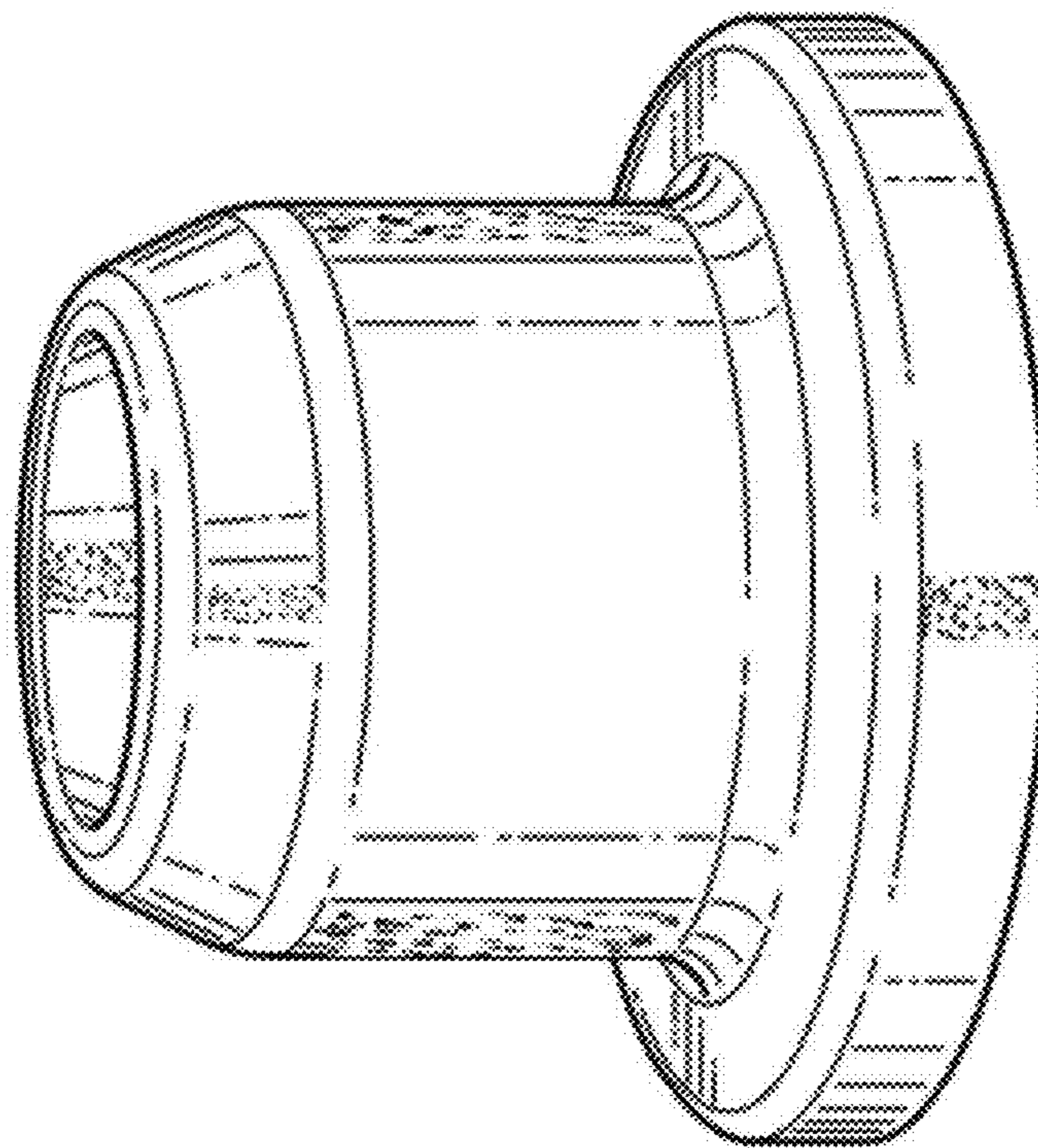


FIG. 4

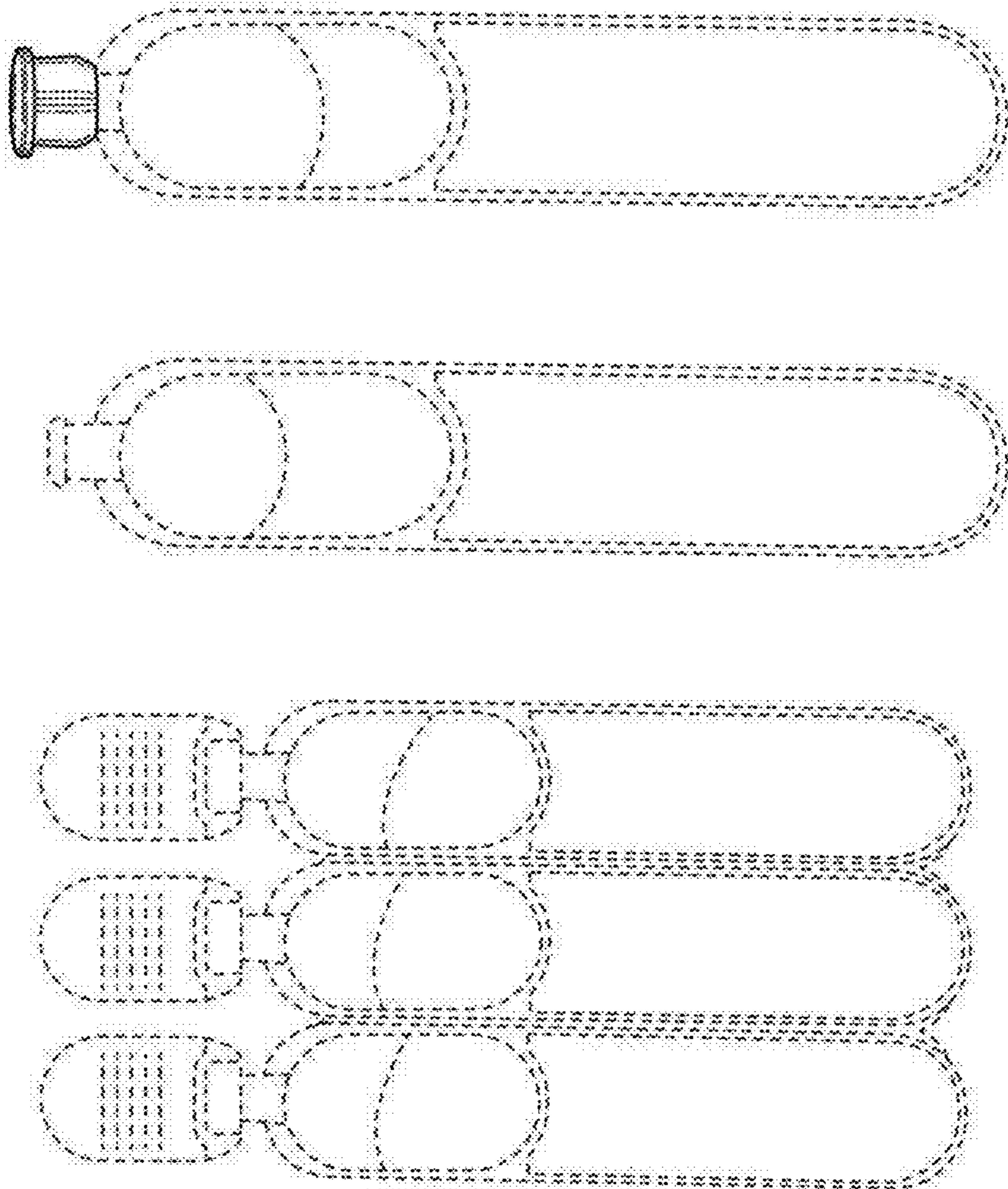


FIG. 5