



US00D911836S

(12) **United States Design Patent**
Krueger et al.

(10) **Patent No.:** **US D911,836 S**
(45) **Date of Patent:** **** Mar. 2, 2021**

(54) **PLASTIC FOOD CONTAINER**

(74) *Attorney, Agent, or Firm* — Don V. Kelly; Evans & Dixon, L.L.C.

(71) Applicant: **Anchor Packaging, LLC**, St. Louis, MO (US)

(57) **CLAIM**

(72) Inventors: **Kevin Krueger**, Fenton, MO (US);
Mike Pohlman, Valley Park, MO (US)

The ornamental design for a plastic food container, as shown and described.

(73) Assignee: **Anchor Packaging, LLC**, Ballwin, MO (US)

DESCRIPTION

(**) Term: **15 Years**

FIG. 1 is a top, front perspective view of a plastic food container, showing our new design;
FIG. 2 is a front elevation view thereof;
FIG. 3 is a rear elevation view thereof;
FIG. 4 is a left side elevation view thereof;
FIG. 5 is a right side elevation view thereof;
FIG. 6 is a top plan view thereof;
FIG. 7 is a bottom plan view thereof;
FIG. 8 is top, front perspective view thereof, shown in partially open condition;
FIG. 9 is a front elevation view thereof, shown without the base for ease of illustration;
FIG. 10 is a rear elevation view thereof, shown without the base for ease of illustration;
FIG. 11 is a left side elevation view thereof, shown without the base for ease of illustration;
FIG. 12 is a right side elevation view thereof, shown without the base for ease of illustration;
FIG. 13 is a top plan view thereof, shown without the base for ease of illustration;
FIG. 14 is a bottom plan view thereof, shown without the base for ease of illustration;
FIG. 15 is a front elevation view thereof, shown without the lid for ease of illustration;
FIG. 16 is a rear elevation view thereof, shown without the lid for ease of illustration;
FIG. 17 is a left side elevation view thereof, shown without the lid for ease of illustration;
FIG. 18 is a right side elevation view thereof, shown without the lid for ease of illustration;
FIG. 19 is a top plan view thereof, shown without the lid for ease of illustration; and,

(21) Appl. No.: **29/694,673**

(22) Filed: **Jun. 12, 2019**

(51) **LOC (13) Cl.** **09-03**

(52) **U.S. Cl.**
USPC **D9/425**

(58) **Field of Classification Search**
USPC D7/400, 601, 608; D9/416, 417, 420, D9/425-429, 430, 432, 761; 206/499,
(Continued)

(56) **References Cited**

U.S. PATENT DOCUMENTS

1,800,846 A 4/1931 Slagel
2,633,284 A 3/1953 McFarland et al.
(Continued)

FOREIGN PATENT DOCUMENTS

CN 305118231 8/2018
EM 00212113-0001 7/2004
(Continued)

OTHER PUBLICATIONS

Co-pending U.S. Appl. No. 29/633,905, filed Jan. 17, 2018.
(Continued)

Primary Examiner — Janice Patyk

(Continued)

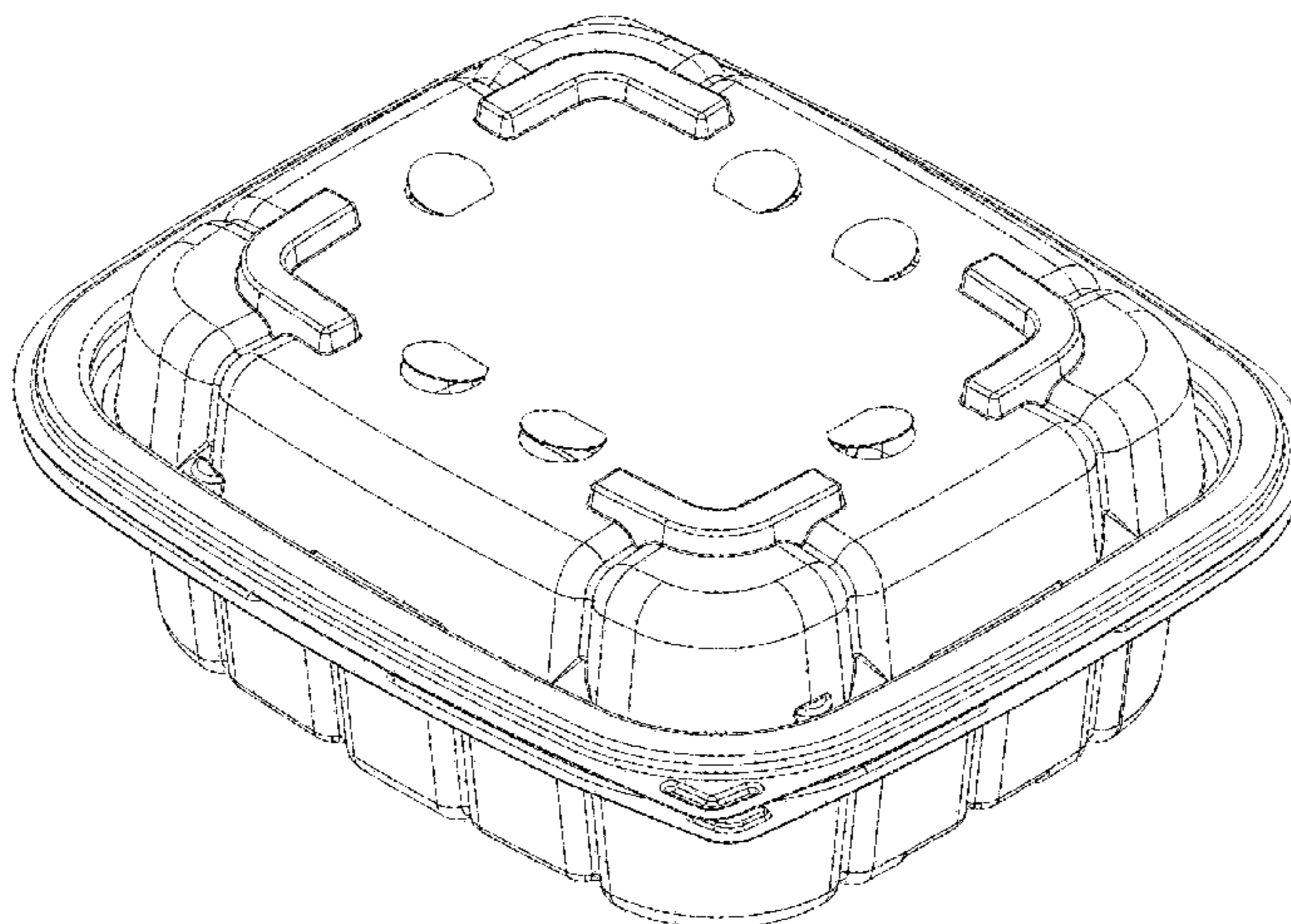


FIG. 20 is a bottom plan view thereof, shown without the lid for ease of illustration.

1 Claim, 20 Drawing Sheets

(58) **Field of Classification Search**

USPC 206/501, 502, 821; 220/625, 656, 669, 220/670, 674; 229/123.1, 123.2, 125.33, 229/125.35, 400-407, 915, 939
 CPC . B65D 1/26; B65D 1/40; B65D 5/243; B65D 81/3453; B65D 2581/34; B65D 2581/3404; B65D 2581/3456
 See application file for complete search history.

(56) **References Cited**

U.S. PATENT DOCUMENTS

D251,895 S	5/1979	Belmuth	
4,372,526 A	2/1983	Daenen	
D288,698 S	3/1987	Finnamore	
4,784,267 A	11/1988	Gessler et al.	
5,065,889 A	11/1991	Conti	
5,076,459 A	12/1991	DeHart	
D336,216 S	6/1993	Rohrbeck	
D346,934 S	5/1994	Littlejohn	
D349,847 S	8/1994	Avins	
D352,204 S	11/1994	Hayes	
D363,879 S *	11/1995	Krupa	D9/423
D371,940 S	7/1996	Krupa	
D380,381 S *	7/1997	Krupa	D9/425
5,947,321 A	9/1999	Vadney	
6,074,676 A	6/2000	Cadiente et al.	
D440,490 S	4/2001	Lizzio	
6,257,401 B1	7/2001	Mangla et al.	
6,257,434 B1	7/2001	Lizzio	
D473,137 S *	4/2003	Cadiente	B65D 43/162 D9/423
D473,791 S	4/2003	Loris	
D494,463 S	8/2004	Tsao	
6,845,878 B2	1/2005	Hayes et al.	
6,962,263 B2	11/2005	Cadiente et al.	
D563,095 S	3/2008	Sabbag	
D569,243 S *	5/2008	Kidd	D9/425
D579,326 S *	10/2008	Chen	D9/425
7,441,672 B2	10/2008	Cadiente et al.	
7,472,799 B2	1/2009	Cadiente et al.	
D598,714 S	8/2009	Aagaard	
D616,698 S	6/2010	Lion	
D621,650 S	8/2010	DeLeo	
D625,180 S	10/2010	Enriquez	

D628,471 S	12/2010	Golota	
D628,472 S *	12/2010	Strange	D9/425
D632,561 S *	2/2011	Short	D9/427
7,900,793 B2	3/2011	Hanson et al.	
D640,129 S *	6/2011	Sifuentes	D9/425
D645,711 S	9/2011	Sudia	
D663,615 S *	7/2012	Liang	D9/425
D670,178 S	11/2012	Carson	
D683,178 S	5/2013	Su	
D692,751 S *	11/2013	Mastronardi	D9/427
D699,106 S	2/2014	Glaser	
8,770,431 B1	7/2014	Glaser	
D731,263 S	6/2015	Zila	
D789,798 S	6/2017	Haddad	
D806,575 S	1/2018	Collins	
D815,941 S	4/2018	Haddad	
D817,696 S	5/2018	Mirchandani	
2003/0062365 A1	4/2003	Krueger	
2003/0152670 A1	8/2003	Shih	
2007/0196541 A1	8/2007	Vovan	
2007/0241110 A1	10/2007	Belleggi	
2009/0057381 A1	3/2009	Gokhale	
2009/0206090 A1	8/2009	Hanson	
2010/0122930 A1	5/2010	Mance	
2010/0320210 A1	12/2010	Cimmerer	
2013/0175269 A1	7/2013	Chen	
2013/0175284 A1	7/2013	Chen	
2014/0183190 A1	7/2014	Tyberghein	
2016/0016690 A1	1/2016	Lam	
2018/0297742 A1	10/2018	Dube	

FOREIGN PATENT DOCUMENTS

EM	003046416-0001	3/2016
EM	005580537-0001	8/2018
EM	005580537-0002	8/2018
EM	005580537-0003	8/2018
EM	005606860-0001	8/2018
EM	305040743	2/2019
TW	470068	12/2001

OTHER PUBLICATIONS

Co-pending U.S. Appl. No. 29/637,021, filed Feb. 13, 2018.
 Co-pending U.S. Appl. No. 29/694,618, filed Jun. 12, 2019.
 Co-pending U.S. Appl. No. 29/692,808, filed May 29, 2019.
 Co-pending U.S. Appl. No. 29/695,418, filed Jun. 19, 2019.
 Co-pending U.S. Appl. No. 29/692,900, filed May 29, 2019.
 Co-pending U.S. Appl. No. 29/692,818, filed May 29, 2019.
 Co-pending U.S. Appl. No. 29/693,230, filed May 31, 2019.
 Co-pending U.S. Appl. No. 29/693,235, filed May 31, 2019.
 Co-pending U.S. Appl. No. 29/693,258, filed May 31, 2019.

* cited by examiner

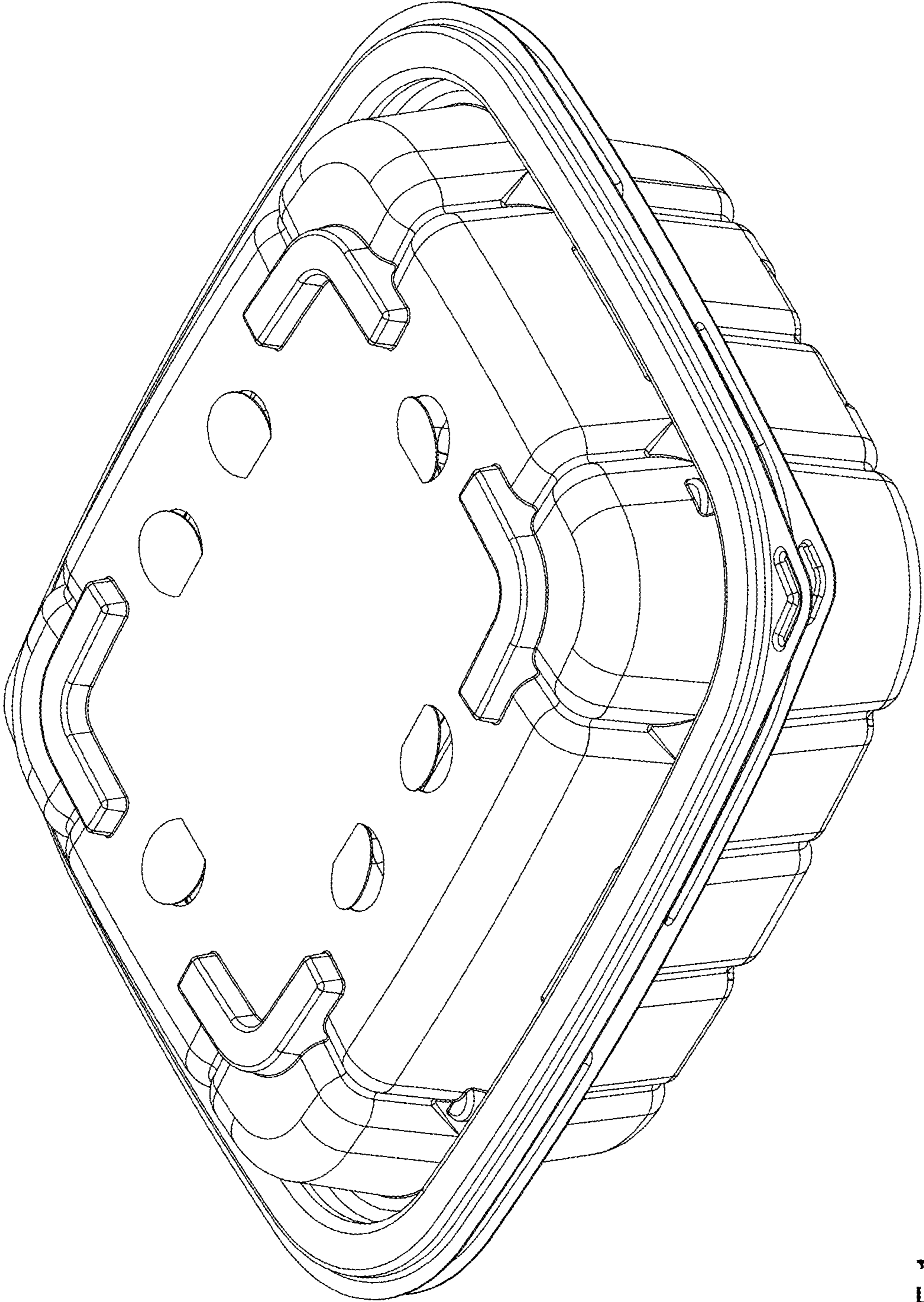


FIGURE 1

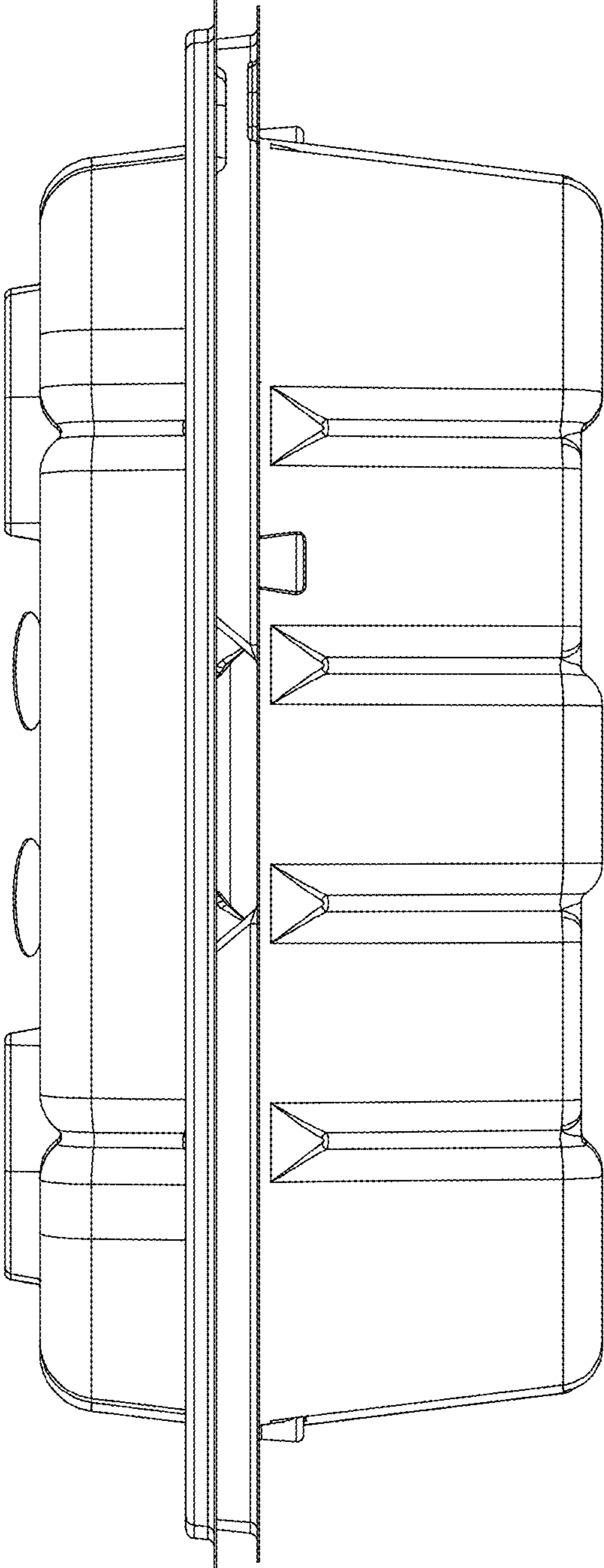


FIGURE 2

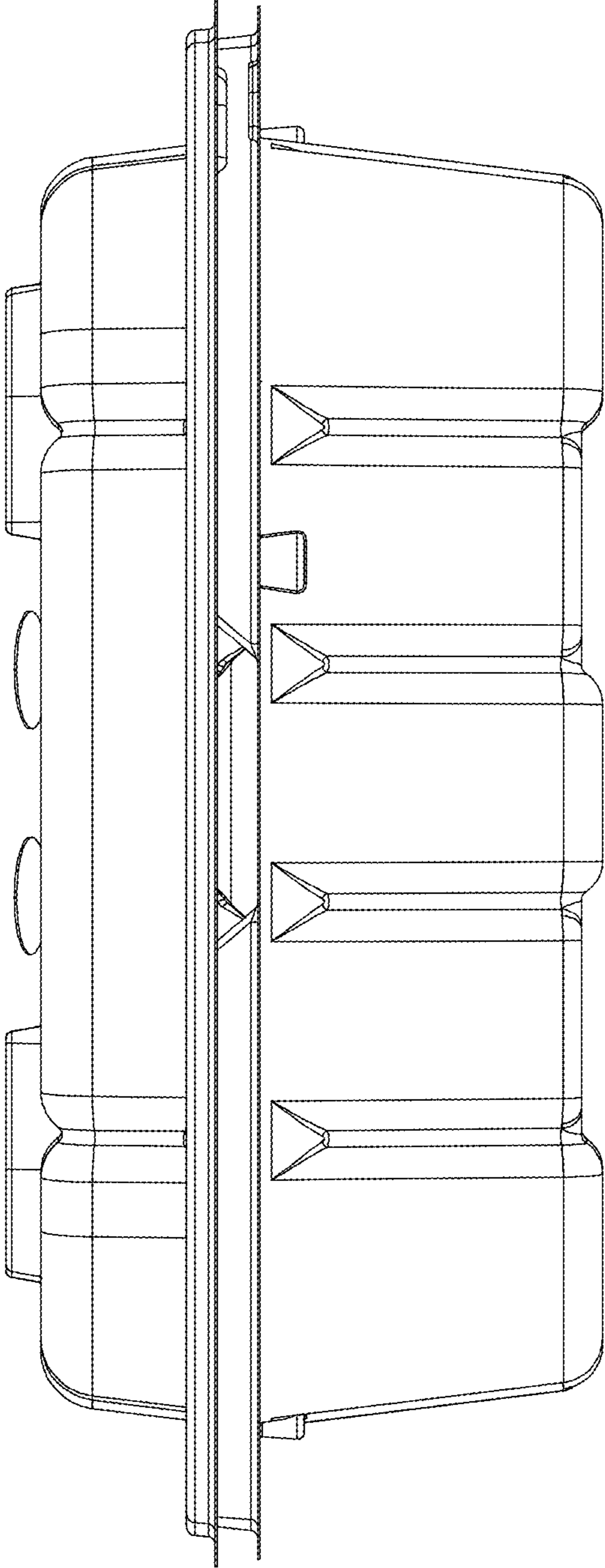


FIGURE 3

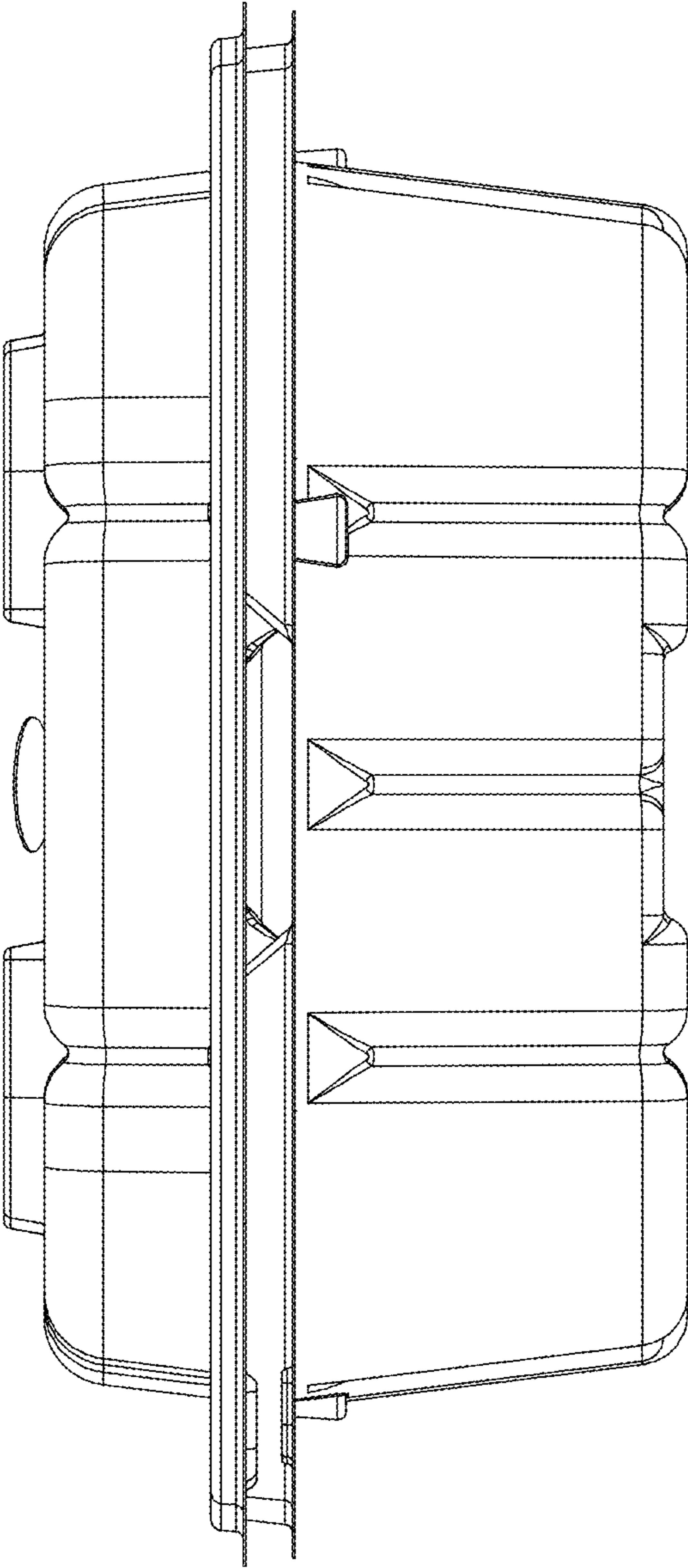


FIGURE 4

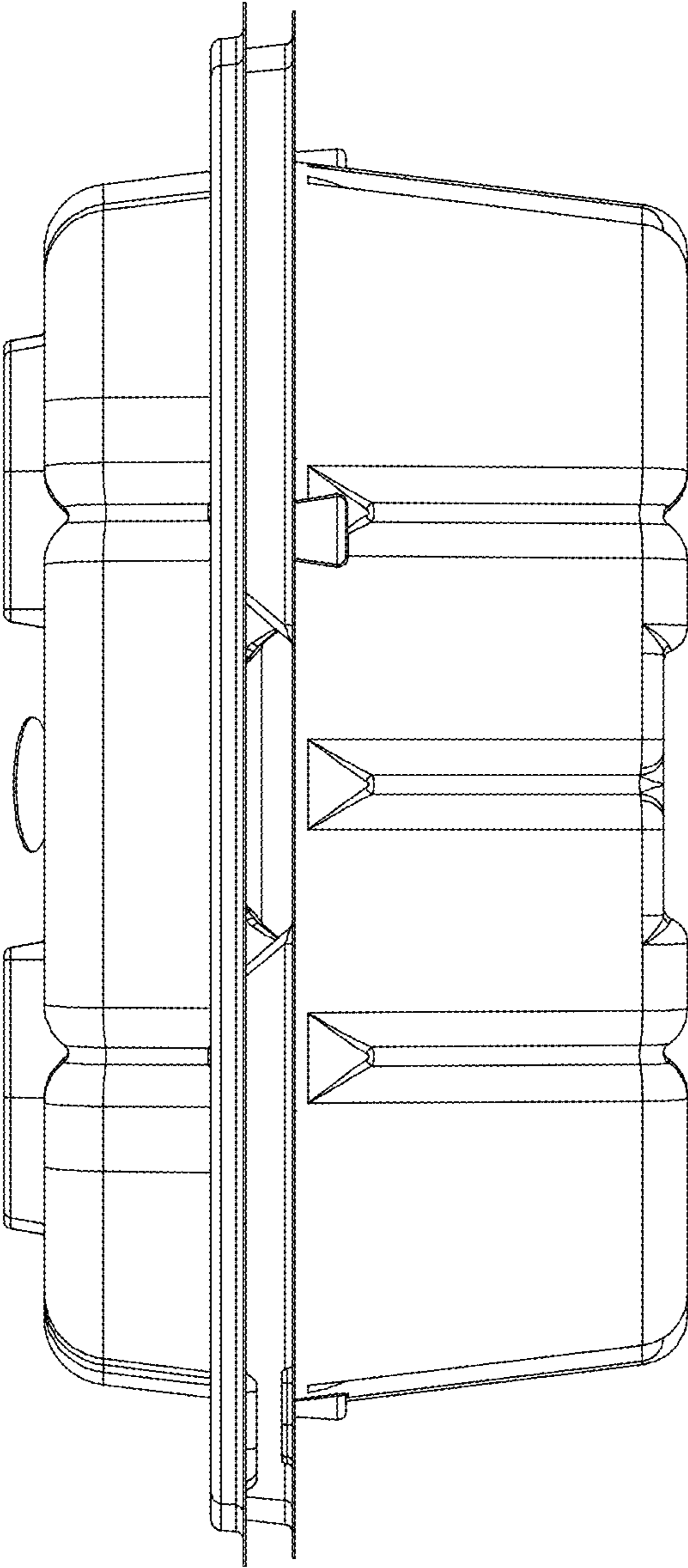


FIGURE 5

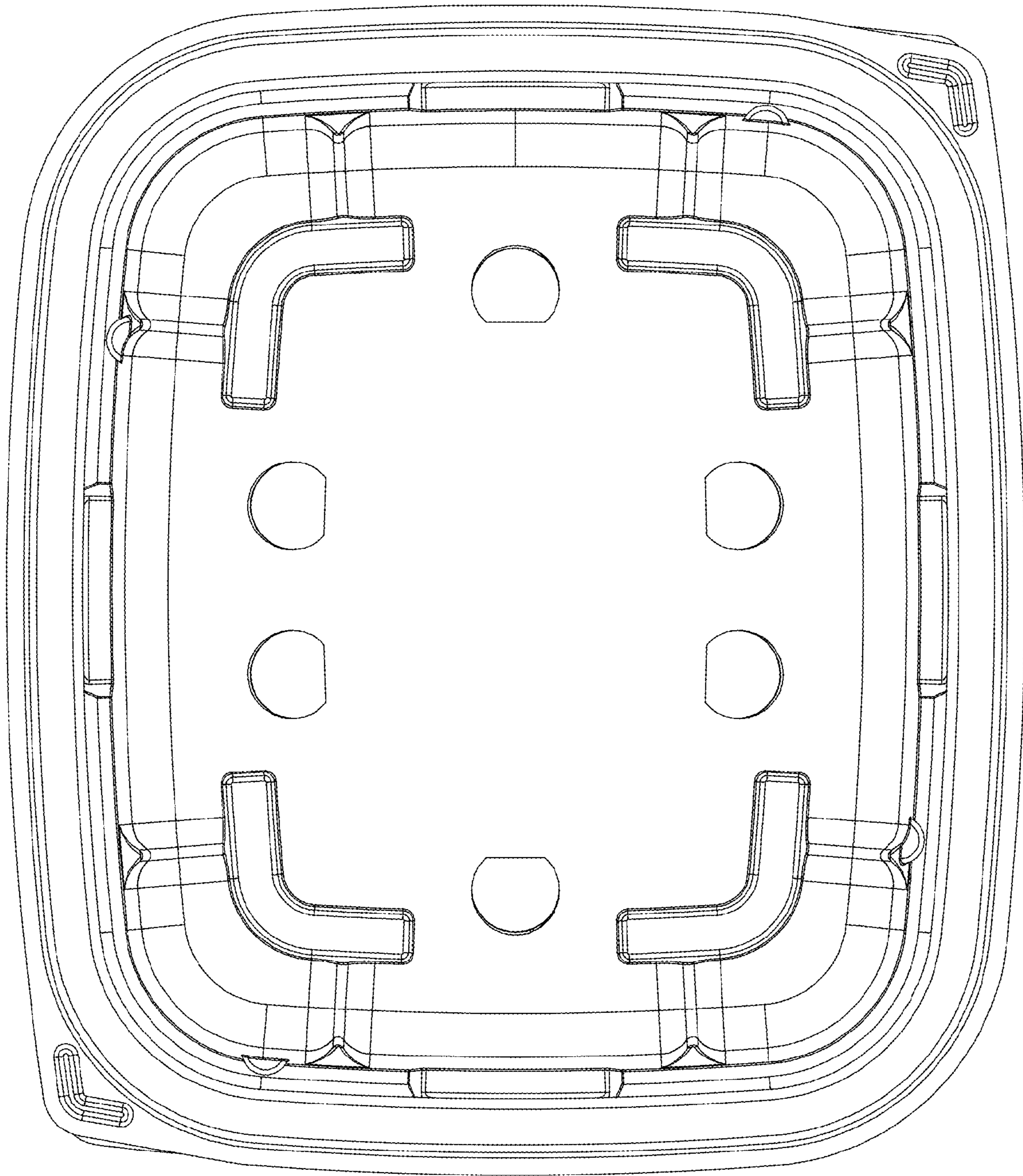


FIGURE 6

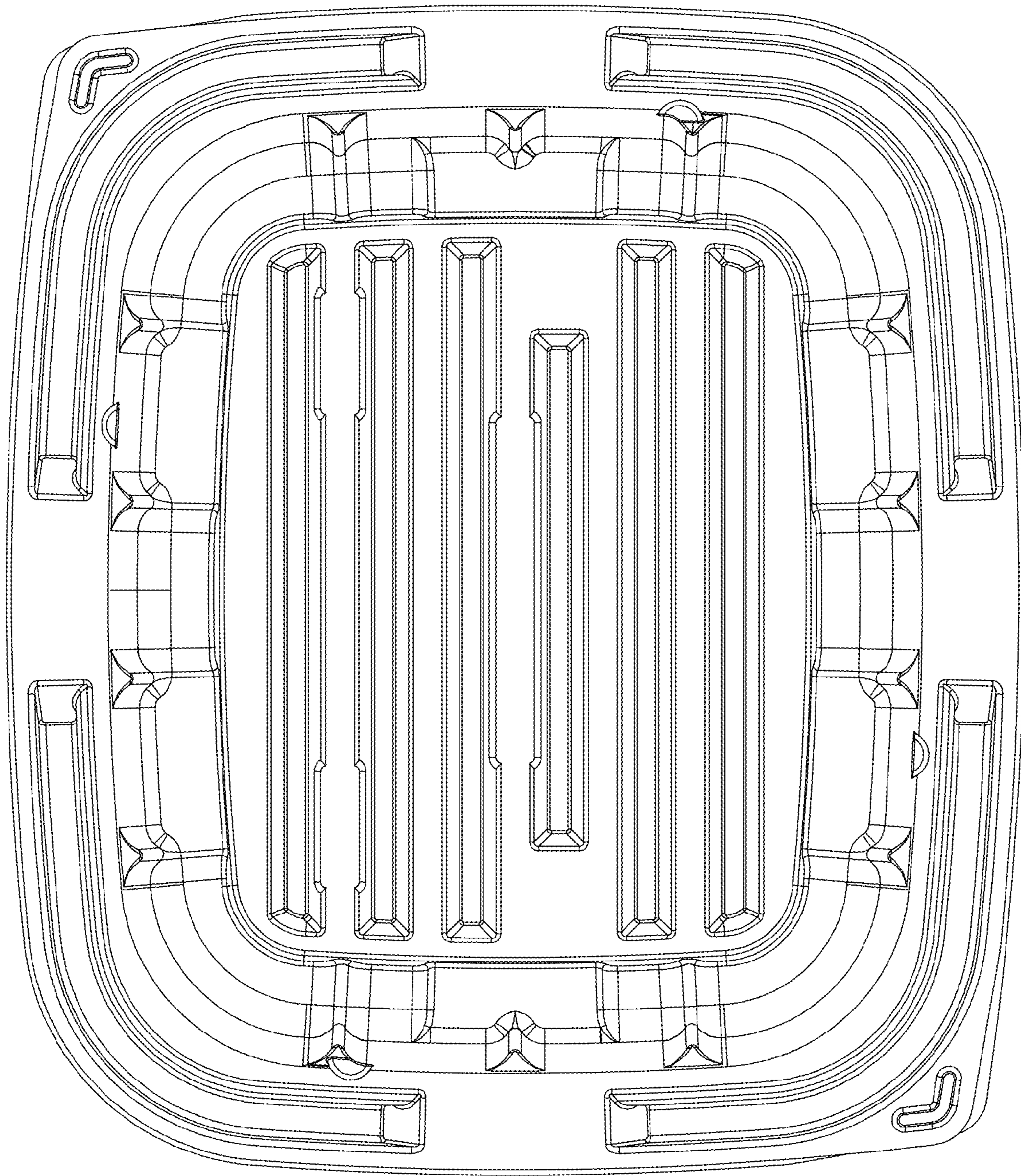


FIGURE 7

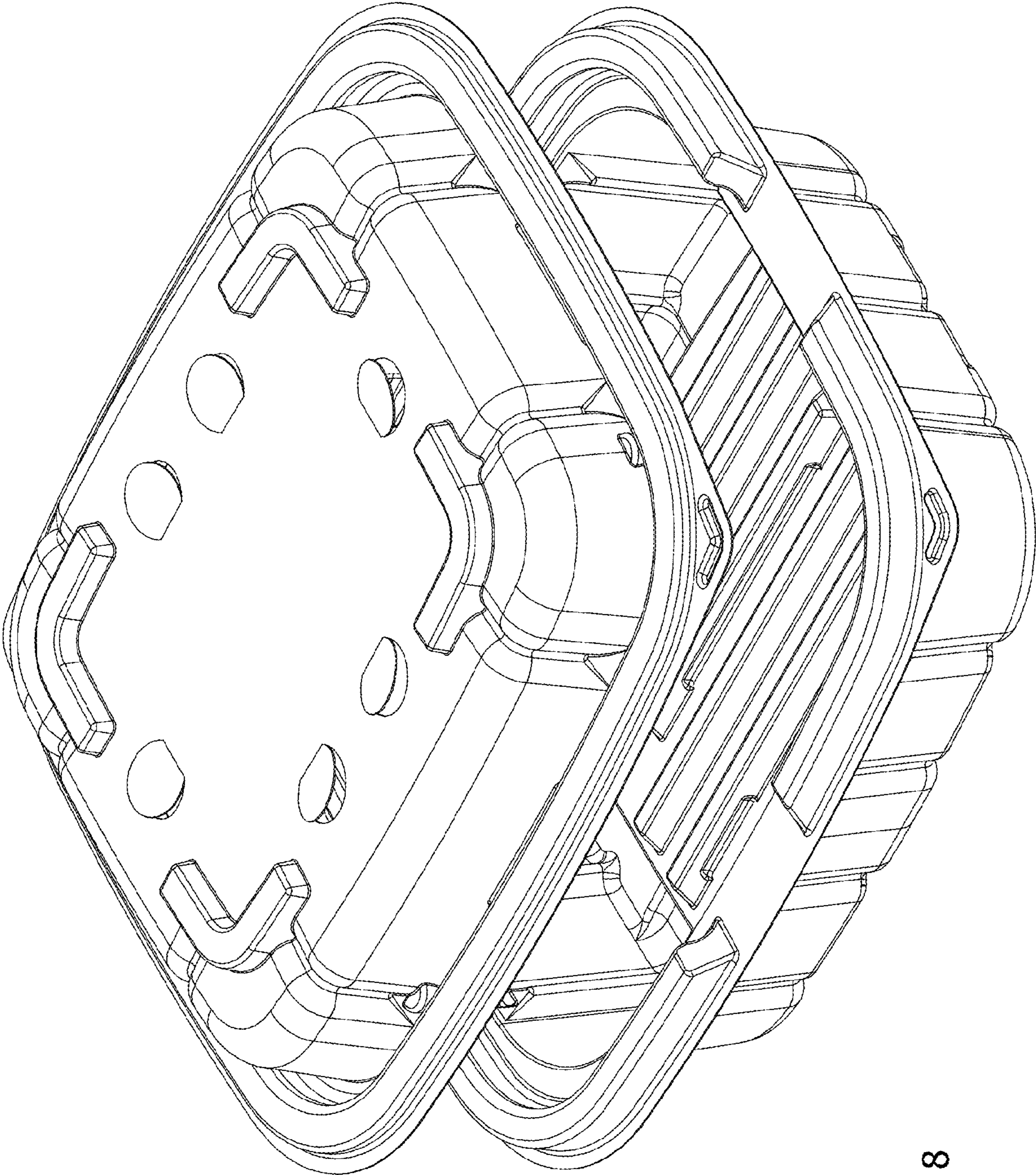


FIGURE 8

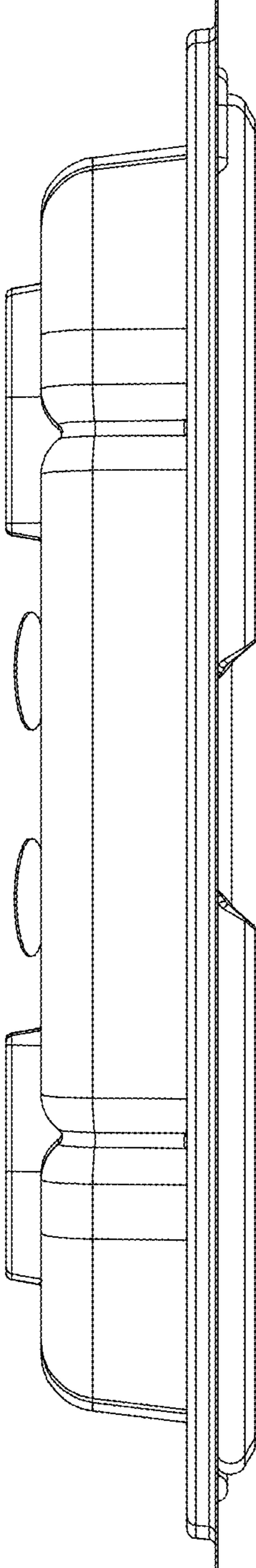


FIGURE 9

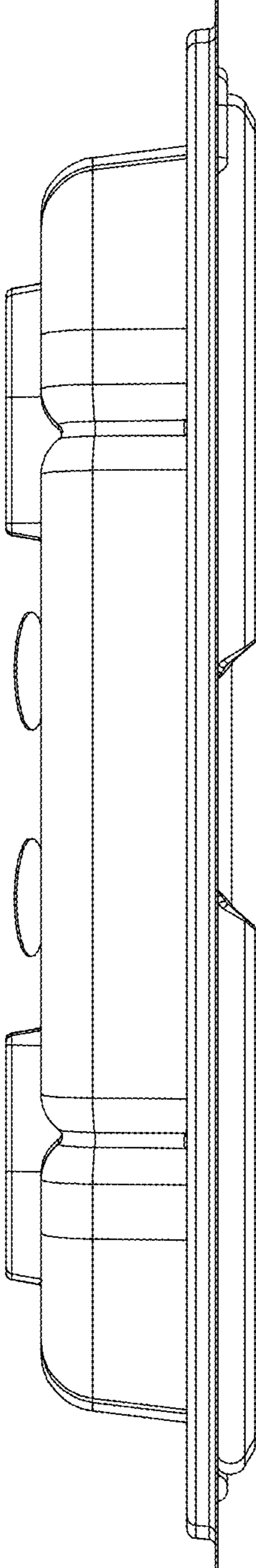


FIGURE 10

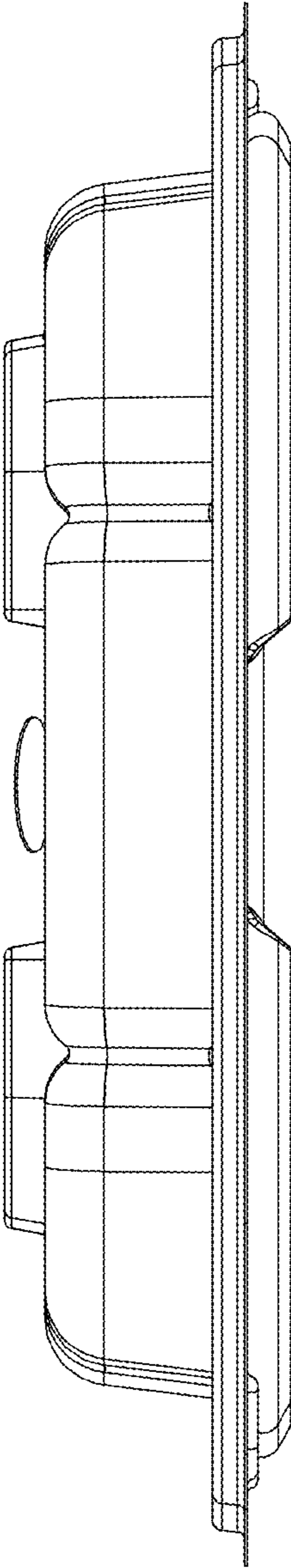


FIGURE 11

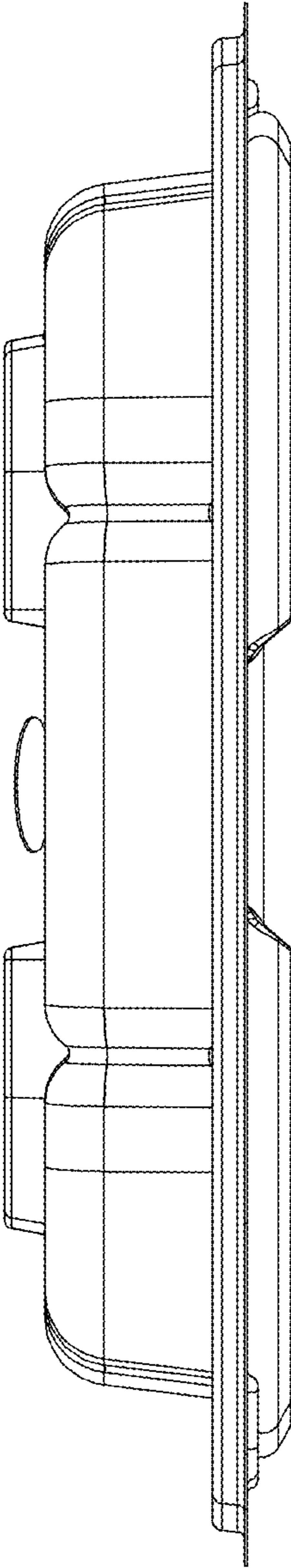


FIGURE 12

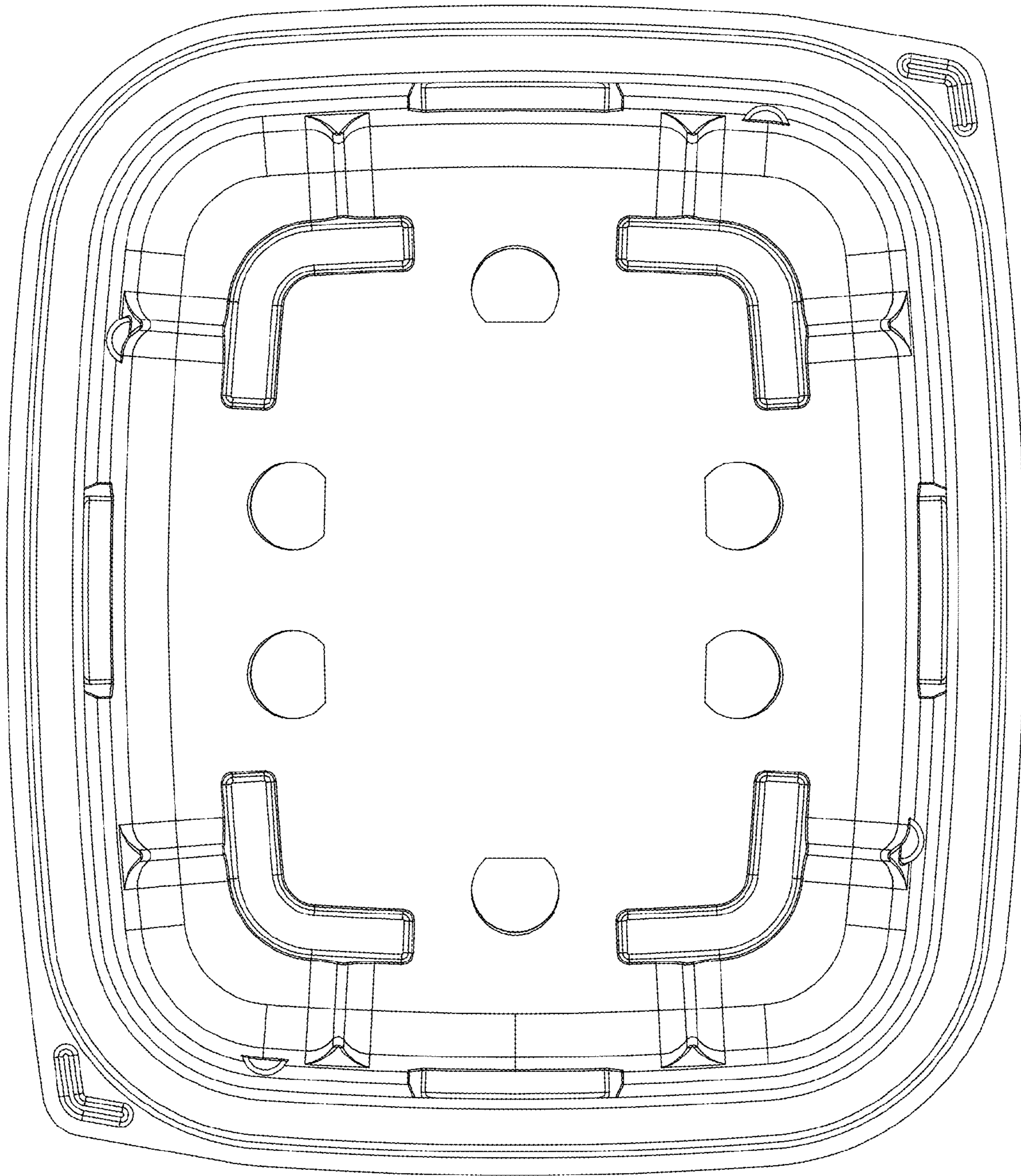


FIGURE 13

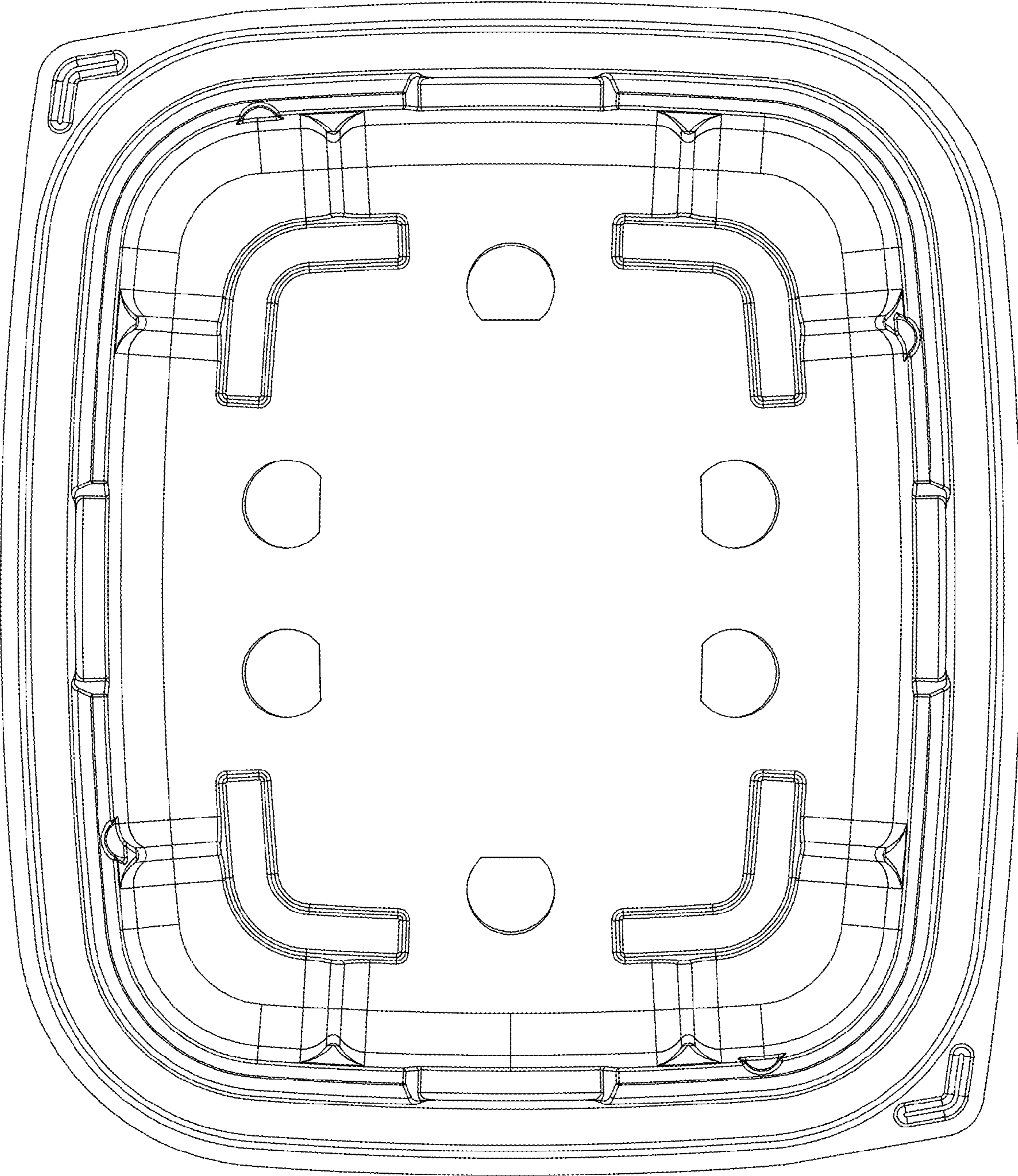


FIGURE 14

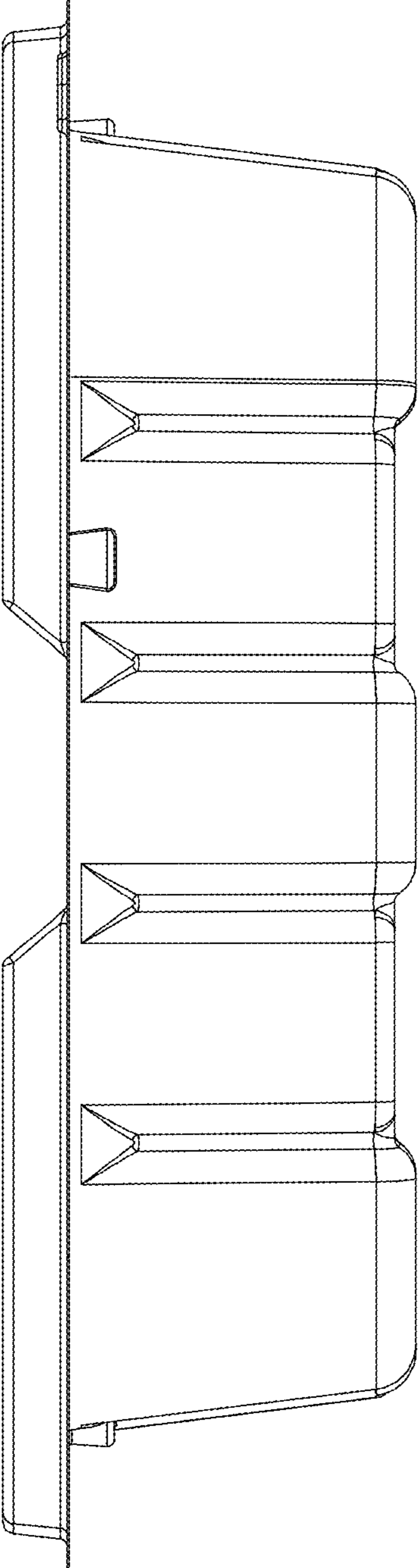


FIGURE 15

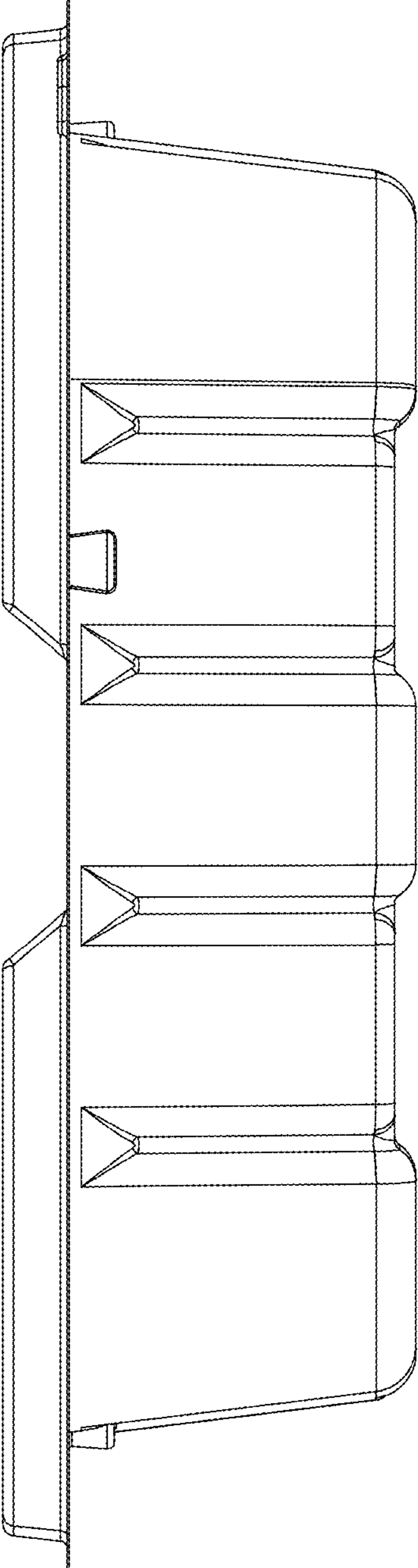


FIGURE 16

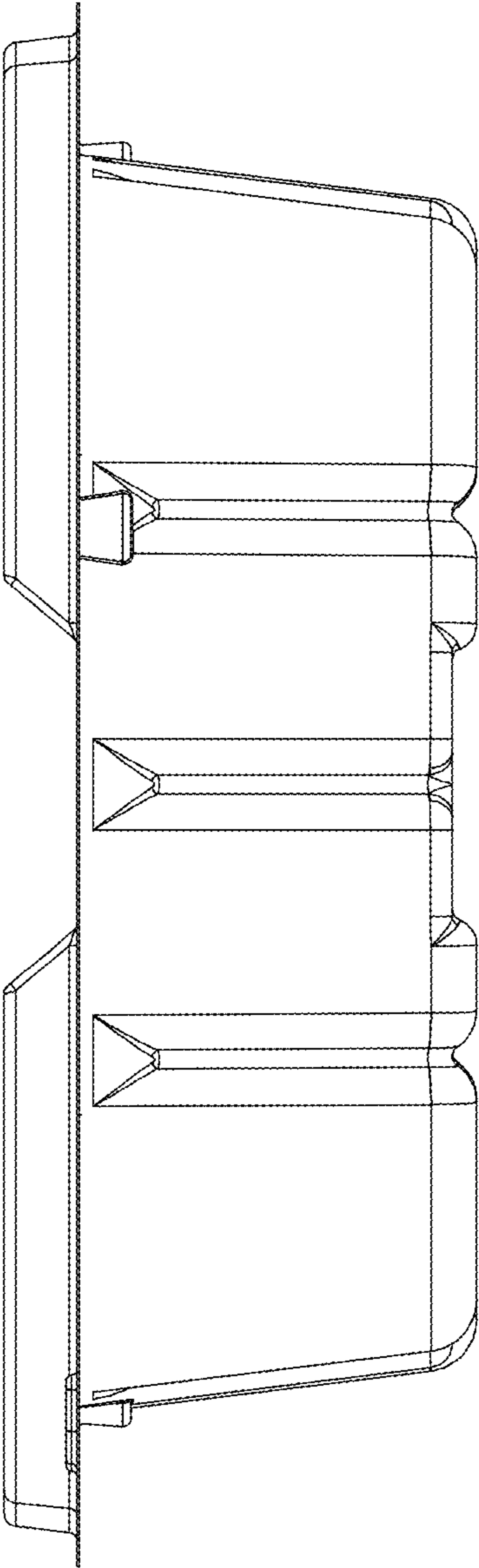


FIGURE 17

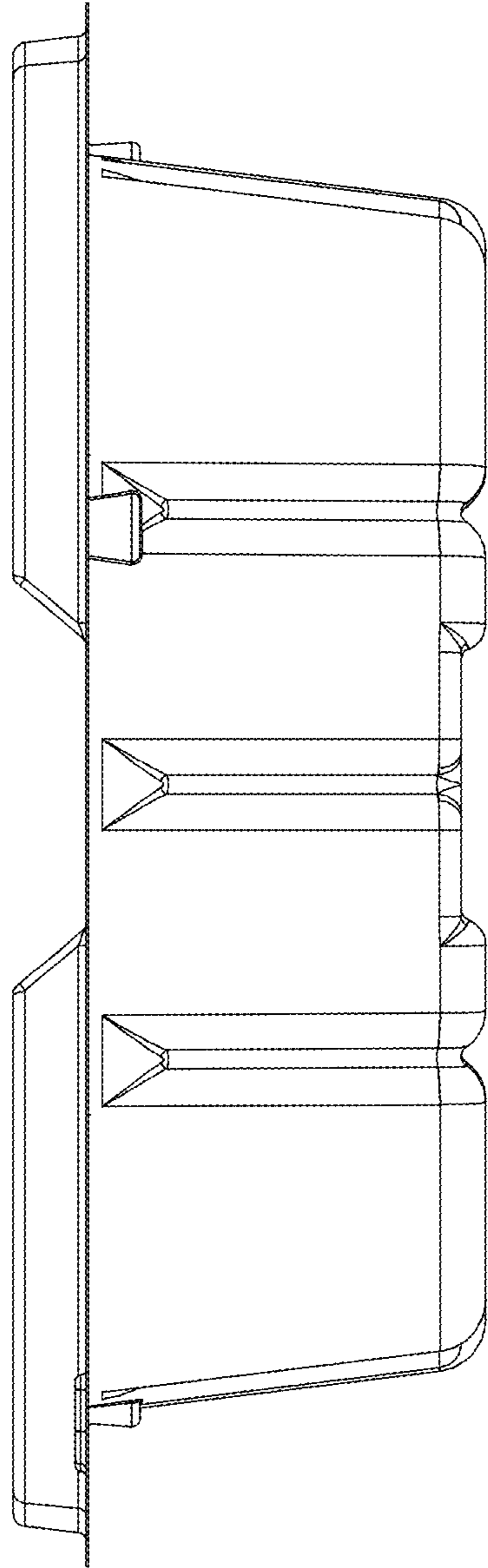


FIGURE 18

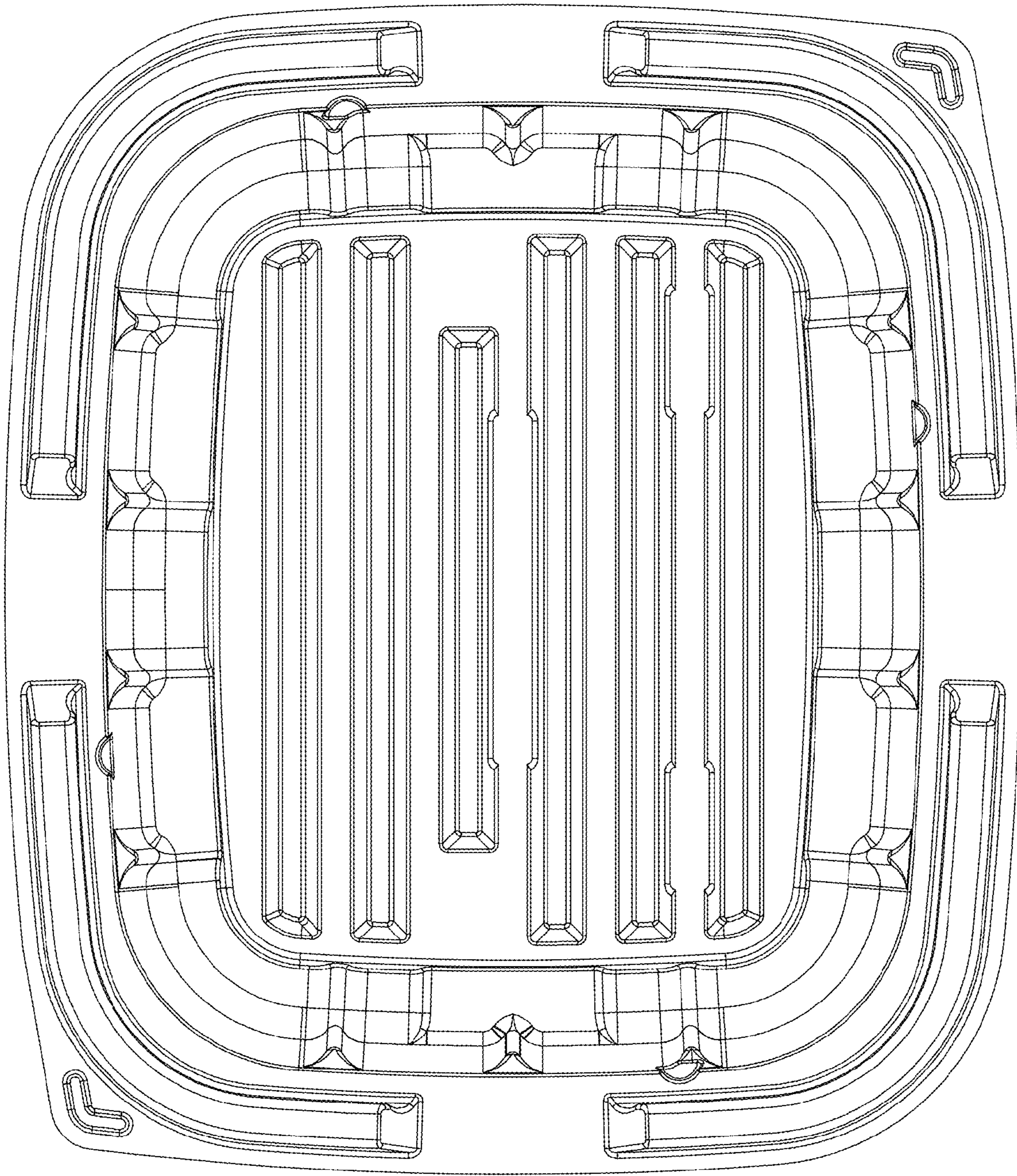


FIGURE 19

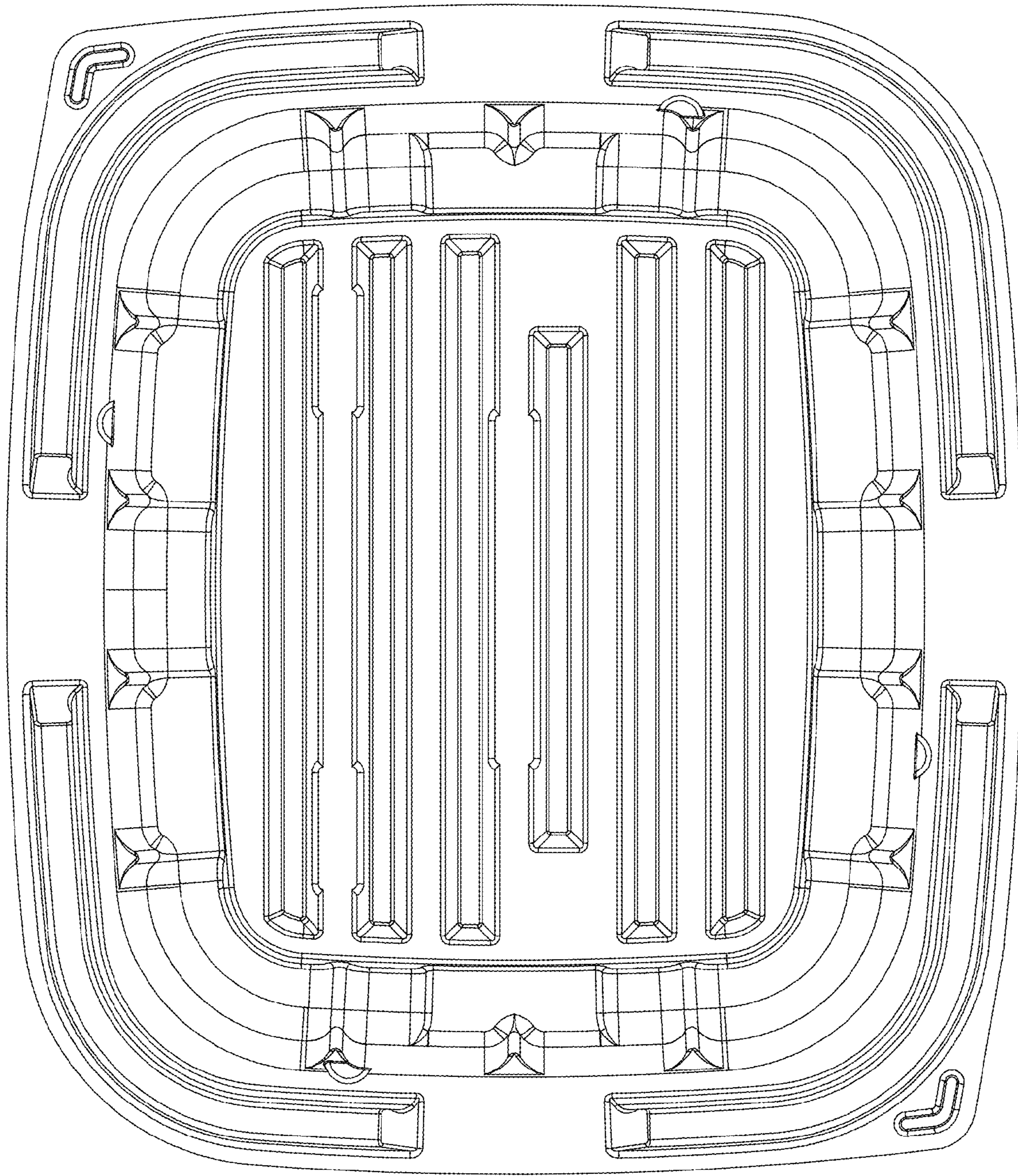


FIGURE 20