



US00D911835S

(12) **United States Design Patent**  
**Cheng**

(10) **Patent No.:** **US D911,835 S**

(45) **Date of Patent:** **\*\* Mar. 2, 2021**

(54) **FOLDING GIFT BOX**

(71) Applicant: **Lin Cheng**, Shenzhen (CN)

(72) Inventor: **Lin Cheng**, Shenzhen (CN)

(\*\*) Term: **15 Years**

(21) Appl. No.: **29/677,217**

(22) Filed: **Jan. 18, 2019**

(51) **LOC (13) Cl.** ..... **09-03**

(52) **U.S. Cl.**  
USPC ..... **D9/420**

(58) **Field of Classification Search**  
USPC ..... D9/420, 432, 418, 645, 748, 431, 414;  
D3/304

CPC ..... B65D 5/5206; B65D 5/3642; B65D 5/526  
See application file for complete search history.

(56) **References Cited**

**U.S. PATENT DOCUMENTS**

1,494,361	A *	5/1924	Lambert	.....	B65D 5/5206 206/760
3,658,237	A *	4/1972	Engel	.....	B65D 5/3642 229/117.04
4,304,327	A *	12/1981	Austin	.....	B65D 5/5206 206/499
4,331,231	A *	5/1982	Boyle	.....	B65D 5/5206 206/45.25
D287,466	S *	12/1986	Gardner	.....	D9/414
4,938,343	A *	7/1990	Willis	.....	B65D 5/5206 206/45.22
5,899,324	A *	5/1999	Stone	.....	B65D 5/5206 206/45.21
6,311,845	B1 *	11/2001	Uren	.....	B65D 5/526 206/499
D548,592	S *	8/2007	Kudo	.....	D9/432

D685,629	S *	7/2013	McAdam	.....	D9/420
D707,549	S *	6/2014	McAdam	.....	D9/420
D737,688	S *	9/2015	Stone	.....	D9/645
D741,200	S *	10/2015	Lee	.....	D9/748
D764,281	S *	8/2016	Mayer	.....	D9/431
D849,531	S *	5/2019	Hockin	.....	D9/432
D850,908	S *	6/2019	Perella	.....	D9/432
D858,274	S *	9/2019	Perella	.....	D9/432
D860,778	S *	9/2019	Dwork	.....	D9/418
D866,317	S *	11/2019	Cranshaw	.....	D9/420
D866,319	S *	11/2019	Greenfeld	.....	D9/432
D887,265	S *	6/2020	Perella	.....	D9/432
D894,728	S *	9/2020	Dwork	.....	D9/420
D900,473	S *	11/2020	Rachamim	.....	D3/304
D902,030	S *	11/2020	Lemoine	.....	D9/432
D905,550	S *	12/2020	Noda	.....	D9/432

\* cited by examiner

*Primary Examiner* — Rhea Shields

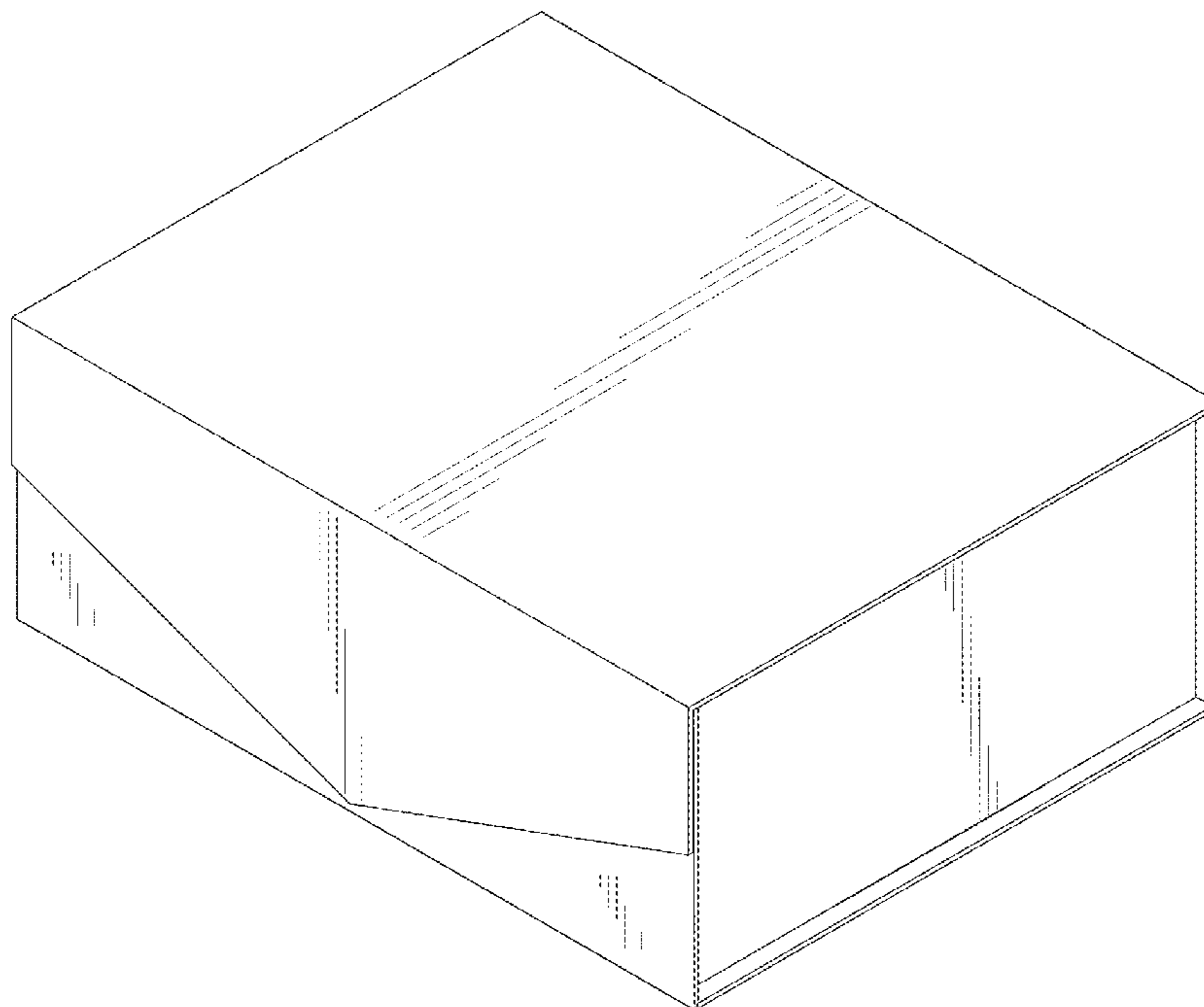
(57) **CLAIM**

The ornamental design for a folding gift box, as shown and described.

**DESCRIPTION**

FIG. 1 is a top, front perspective view of the folding gift box showing my new design;  
FIG. 2 is a bottom, rear perspective view thereof;  
FIG. 3 is a front elevational view thereof;  
FIG. 4 is a rear elevational view thereof;  
FIG. 5 is a left side elevational view thereof;  
FIG. 6 is a right side elevational view thereof;  
FIG. 7 is a top plan view thereof;  
FIG. 8 is a bottom plan view thereof; and,  
FIG. 9 is a perspective view thereof, showing the expanded box.

**1 Claim, 9 Drawing Sheets**



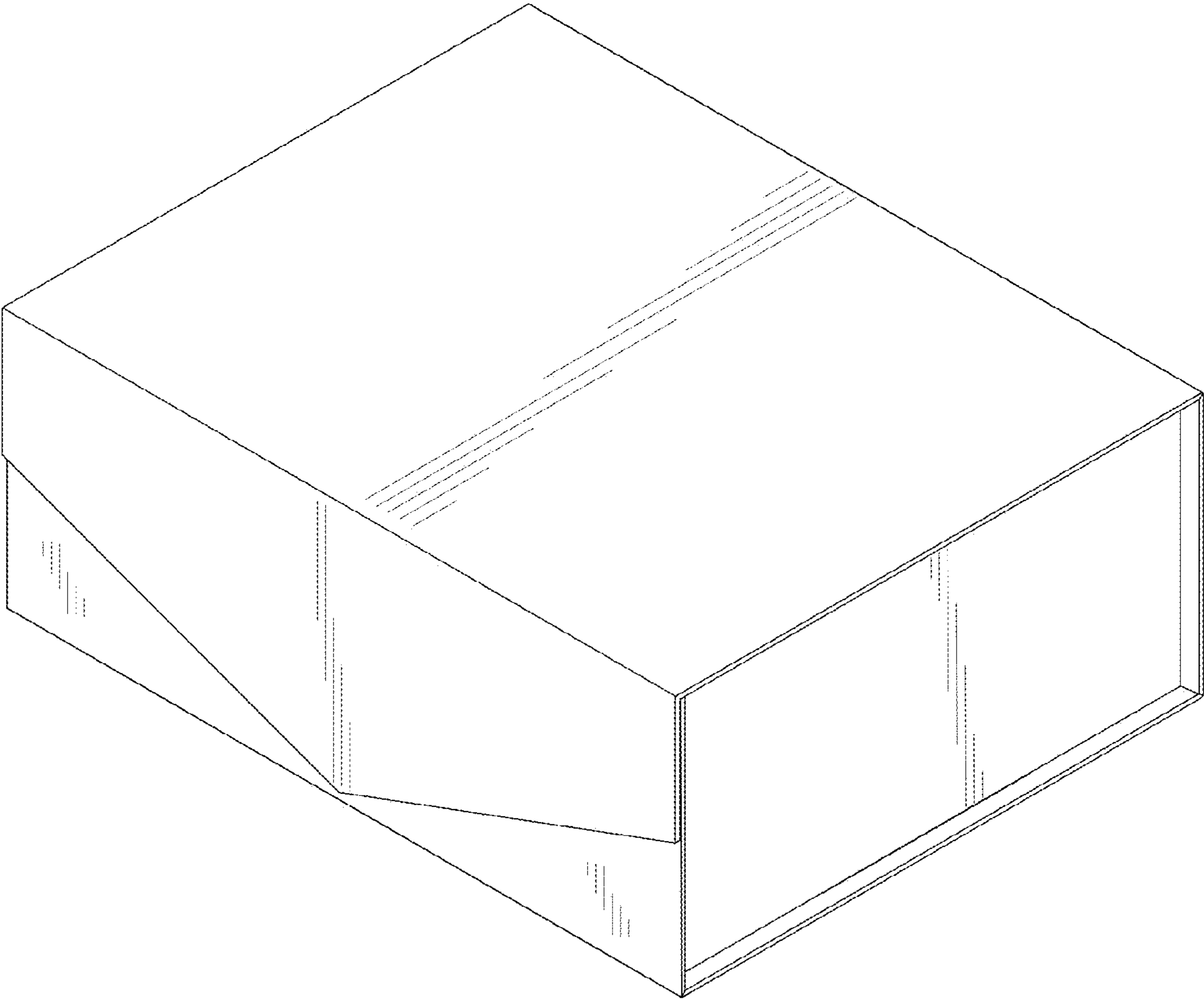


FIG.1

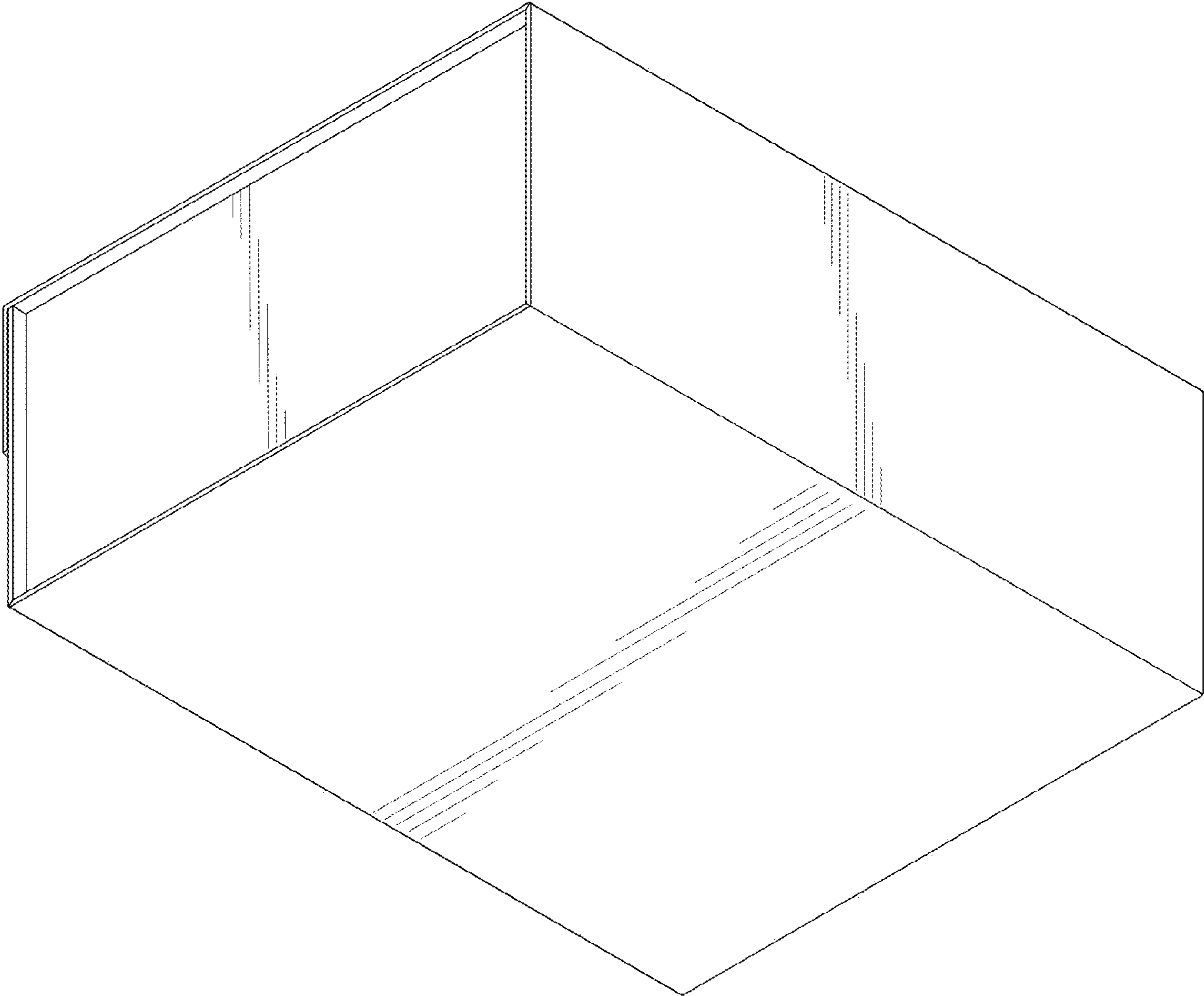


FIG.2

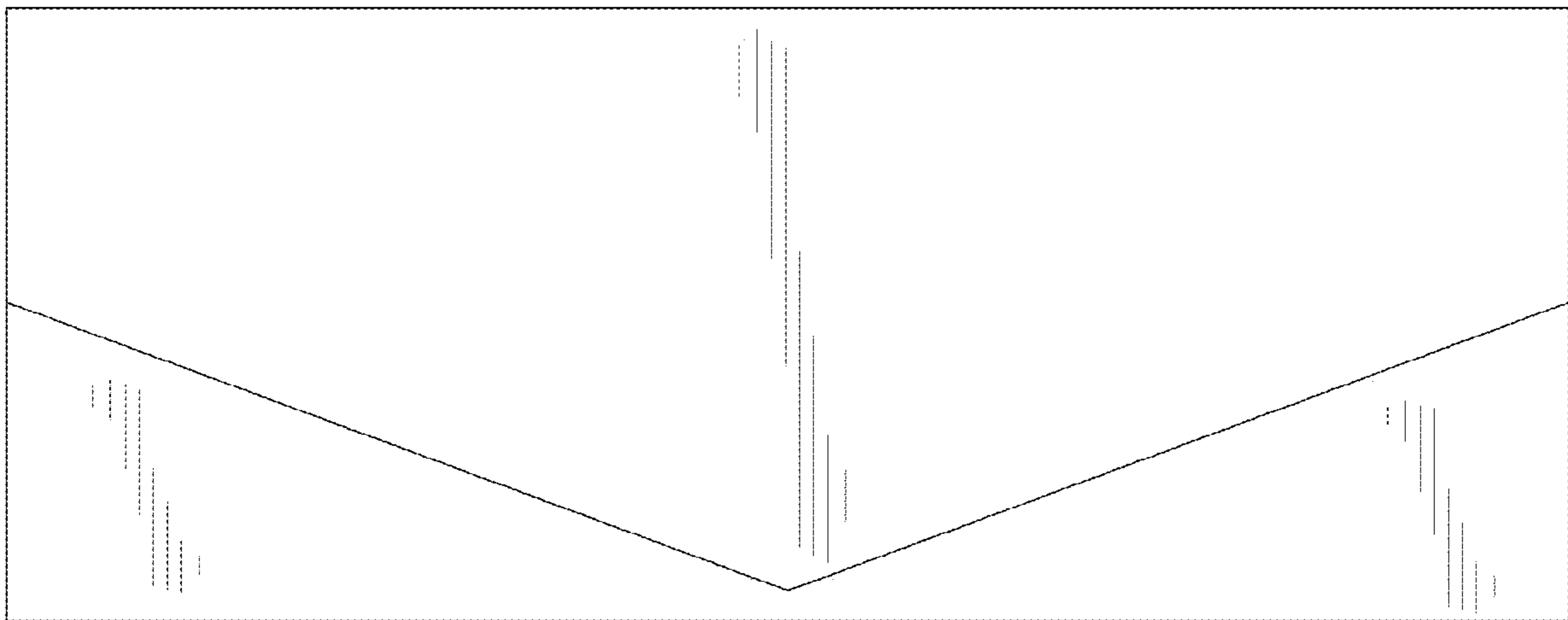


FIG.3

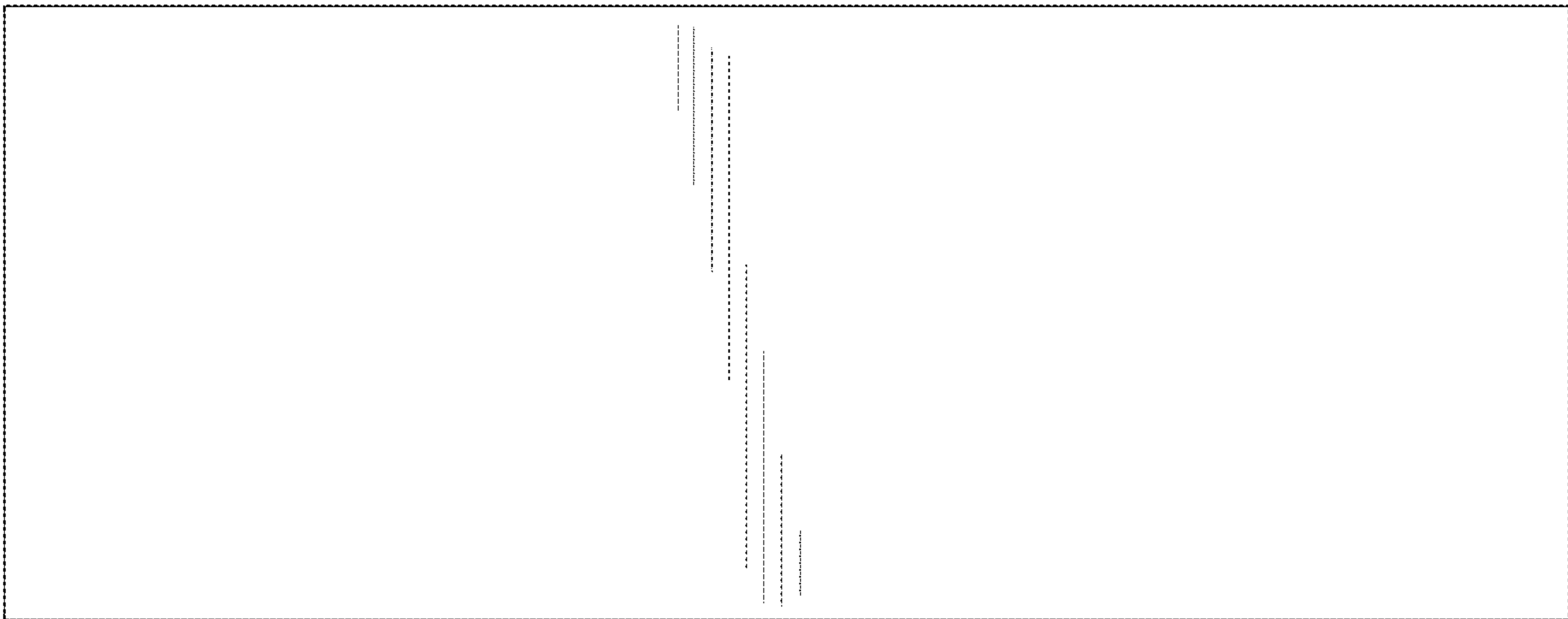


FIG.4

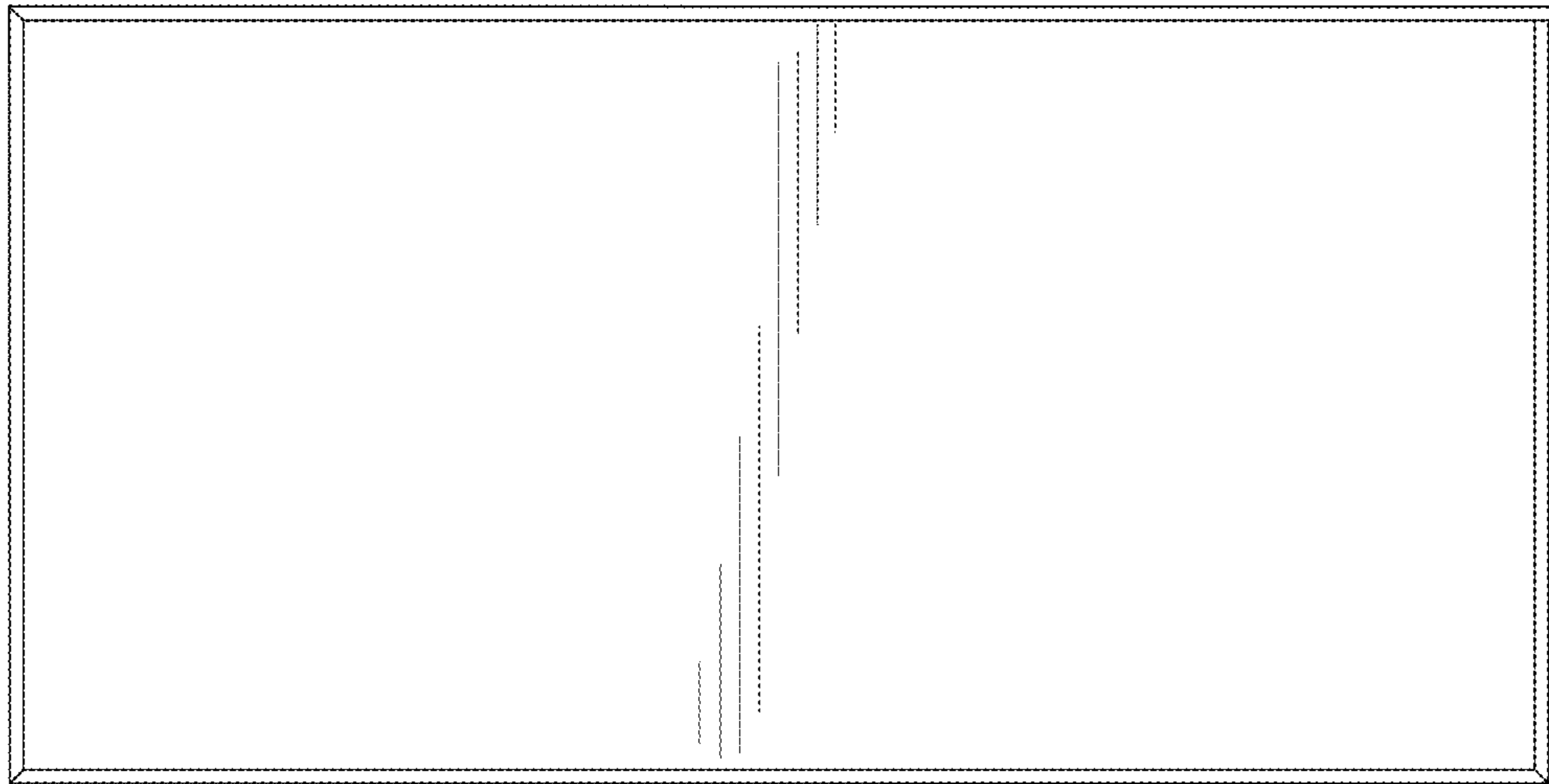


FIG.5

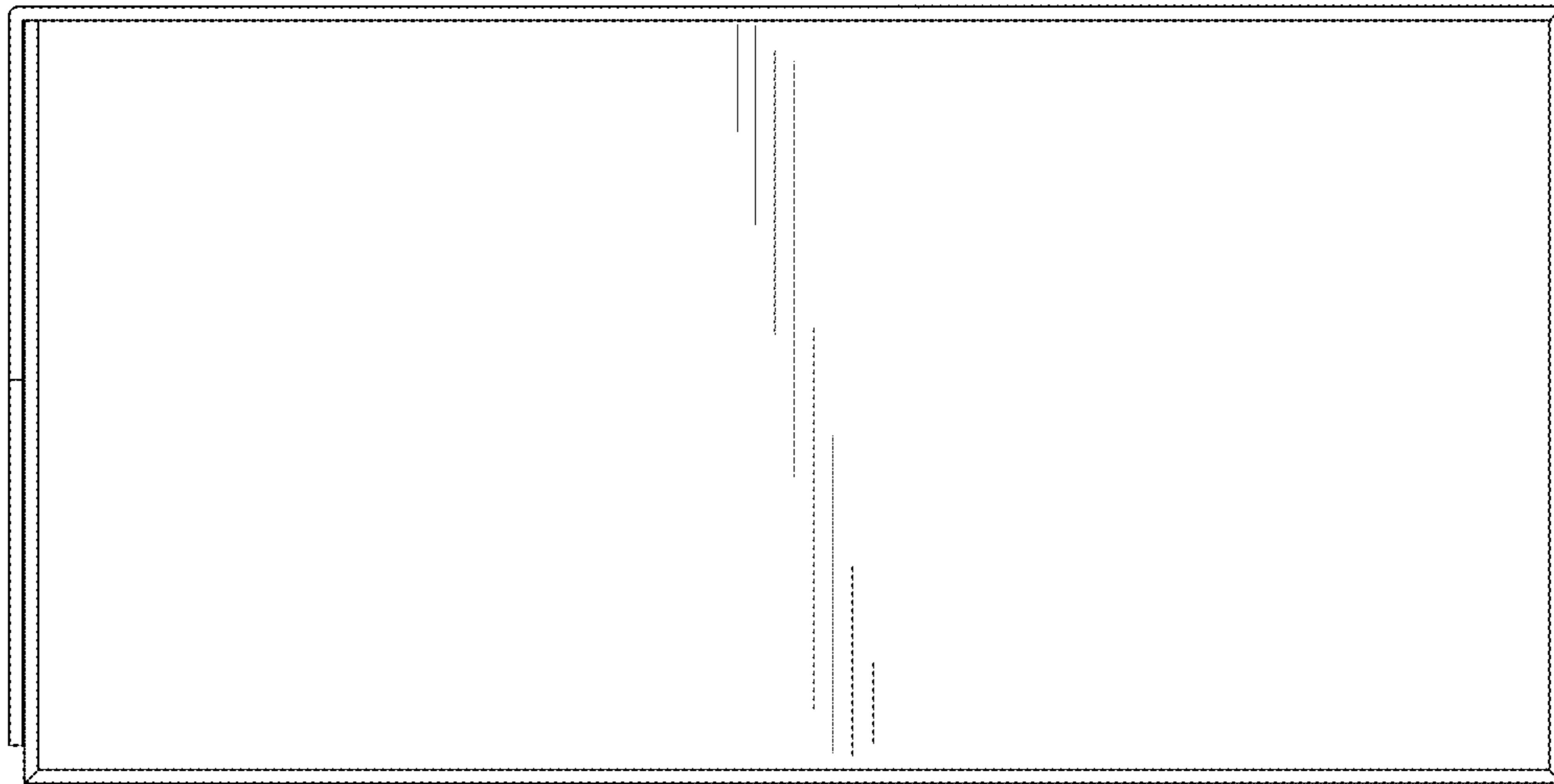


FIG.6

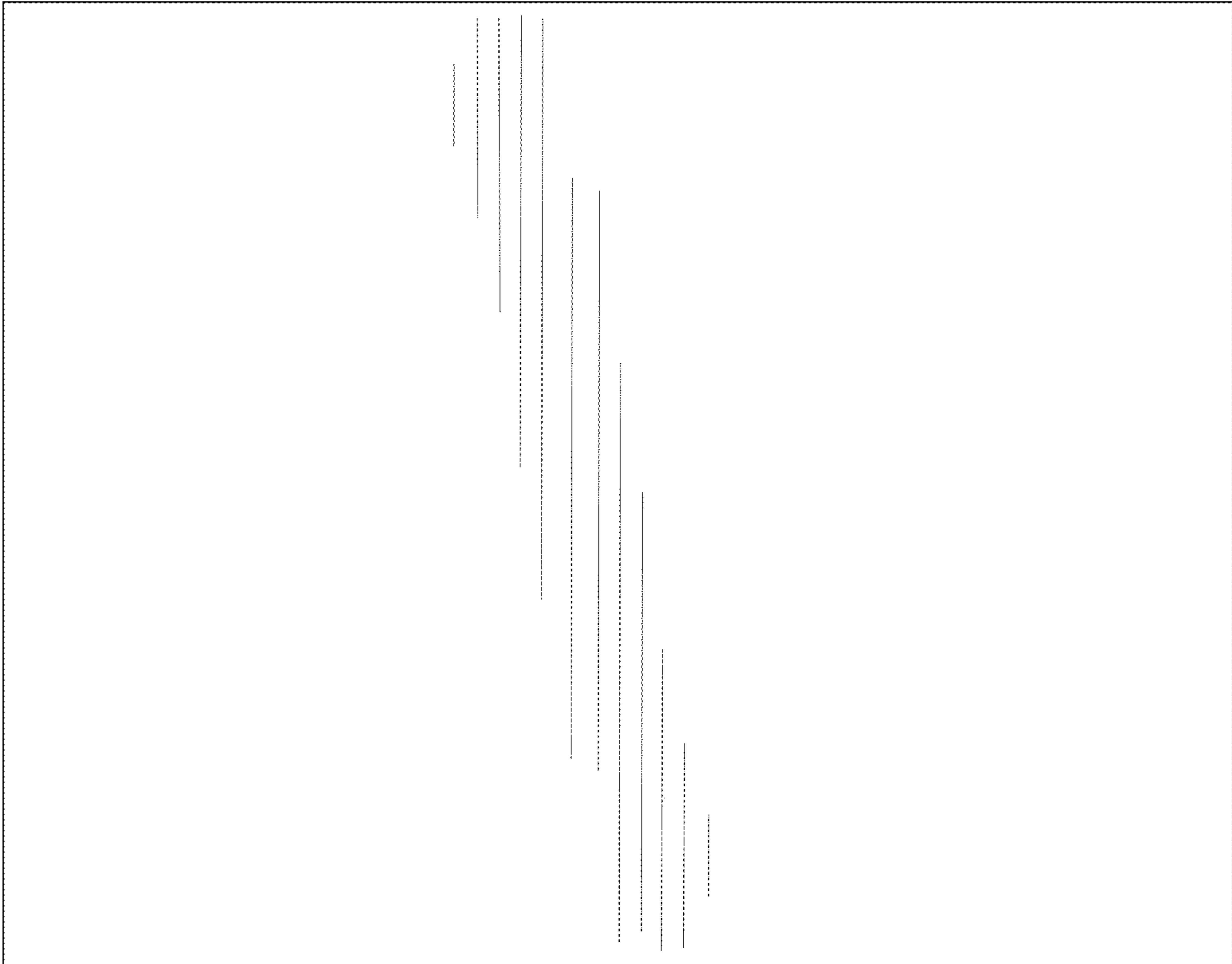


FIG.7



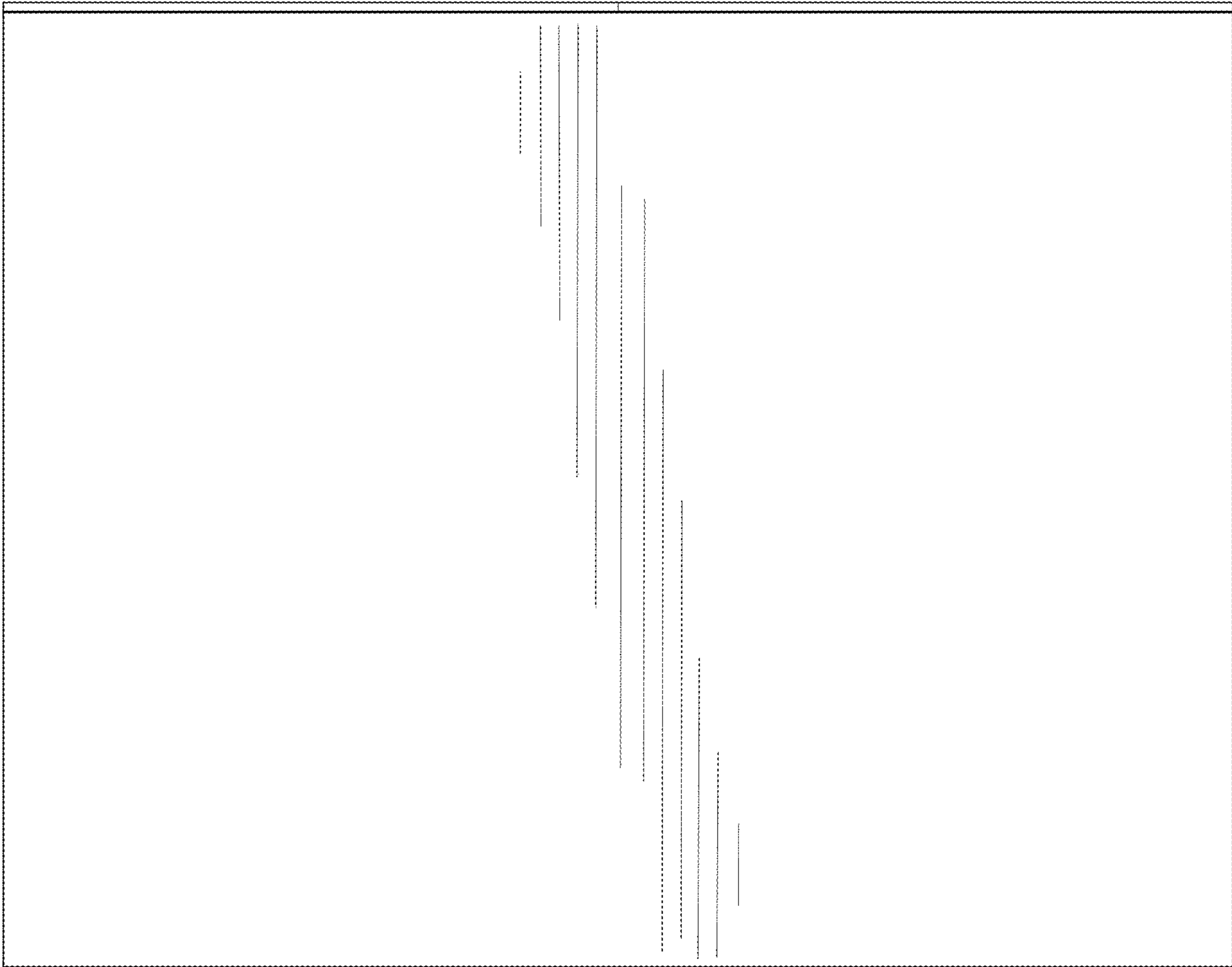


FIG.8

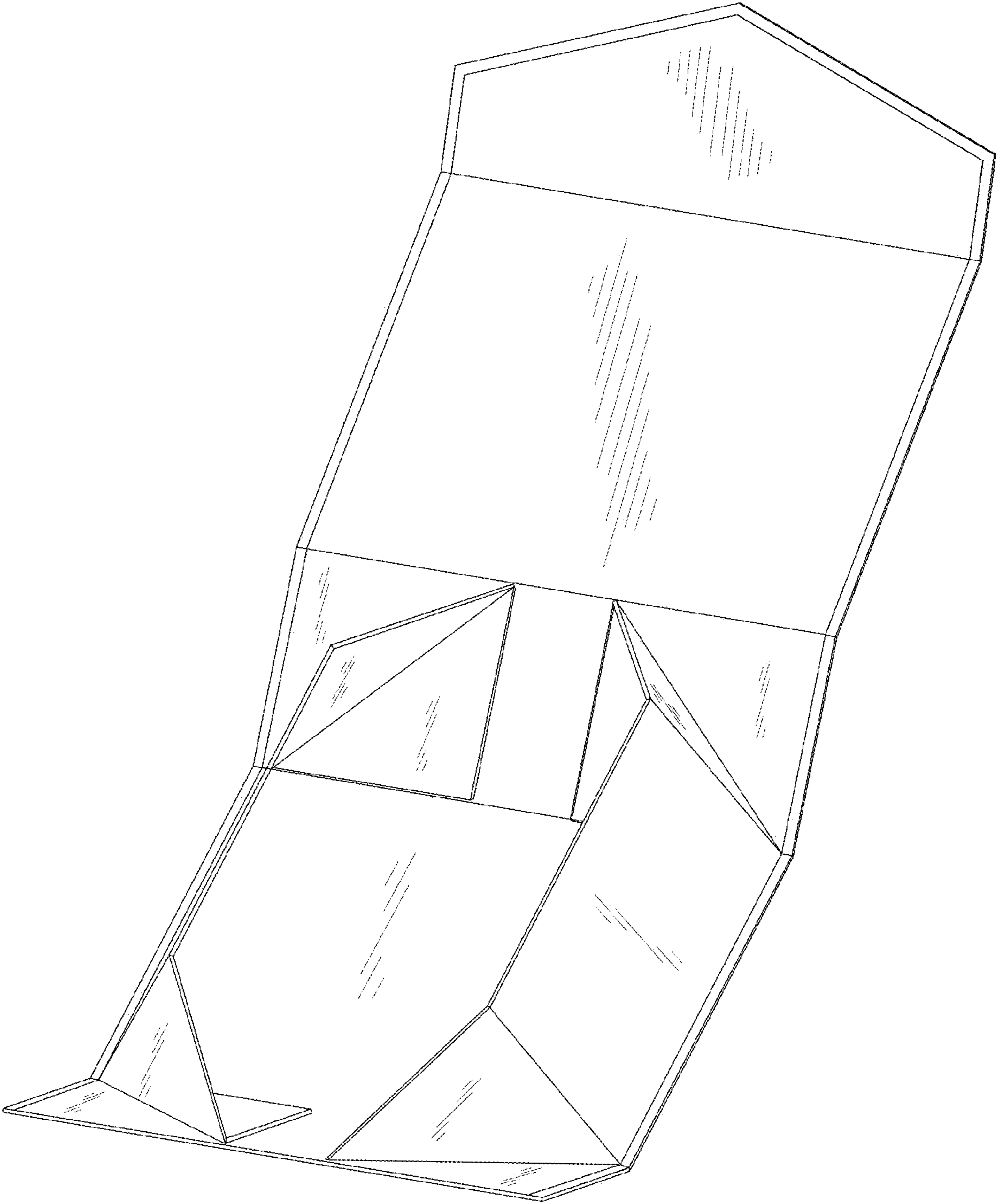


FIG.9